

# Parts Catalogue

Jaguar  
6 cyl & 12 cyl  
Saloon Range  
from VIN 667829 &  
up to VIN 708757  
(Canada, USA)  
Part No. JLM 20317

Whilst every effort is made to ensure the accuracy of the particulars contained in this Manual the Manufacturing Companies will not, in any circumstances, be held liable for any inaccuracies or the consequences thereof.

© Jaguar Cars Ltd 1999

All rights reserved. No part of this publication may be reproduced, stored in a retrieval system or transmitted in any form, whether by electronic, mechanical, photocopying, recording or other means without the permission of Jaguar Cars Limited.

## JAGUAR

Replacement parts that are not of genuine Jaguar supply cannot be relied upon to be of correct specification, material, and workmanship and therefore Jaguar cannot be expected to extend warranty to vehicles which have been fitted with parts not supplied by them.

Jaguar reserves the right to make changes or improvements in the construction or specification of their products at any time.

IN ORDER TO ENSURE PROMPT AND CORRECT EXECUTION OF  
YOUR ORDERS, IT IS ESSENTIAL TO QUOTE:

1. The relative Unit Number, together with prefixes, suffixes and specification references where applicable.  
e.g. Axle, Body, Vehicle Identification, Engine, Gearbox Numbers etc.
2. The Part Number and description (prefix and suffix letters to Part Numbers must always be quoted).
3. Always state the colour of carpets, painted items, trim items etc., using the colour code from the Vehicle Identification Number (VIN) plate and the colour combination key to identify the colour name.
4. The quantity required bearing in mind that the quantities shown are those used in the application actually illustrated. Sometimes only minimum package quantities are available. These packs may well contain more parts than are required for a single job; for details of packaged quantities, see the Service Parts List.

THE LISTING OR ILLUSTRATING OF AN ITEM DOES NOT  
GUARANTEE ITS AVAILABILITY.

## INDEX TO INTRODUCTION SECTION – XJ40 (CANADA/USA)

MICROFICHE PAGE REFERENCE	PAGE TITLE	REMARKS
B03	STANDARD ABBREVIATIONS	Standard abbreviations used in the parts list are referenced on this page.
B04	VEHICLE IDENTIFICATION NUMBERING SYSTEM	VIN Serial letters and numbers explained. VIN plate location.
B05	UNIQUE VEHICLE IDENTIFICATION NUMBERING SYSTEM	Unique VIN Serial letters and numbers explained.
B06	MODEL YEARS VIN NUMBERS	Shows commencing VIN Serial Numbers for each Model Year.
B07	MAJOR UNIT IDENTIFICATION NUMBERING SYSTEMS 4.0 LITRE	Engine number coding explained. Location of engine/gearbox serial number/plate stamping.
B08	MAJOR UNIT IDENTIFICATION NUMBERING SYSTEMS 6.0 LITRE	Engine number coding explained. Location of engine/gearbox serial number/plate stamping.
B09	COLOUR CROSS REFERENCE	Body colour.
B10	TRIM COLOUR COMBINATION CHART	Denotes trim colour ranges applicable to specific areas of the vehicle interior.
B11	COLUMN DETAILS OF TRIM COLOUR COMBINATION CHART	Denotes details of columns 1 to 7 on B10.
B12-16	HOW TO USE THE PARTS MICROFICHE	Details of microfiche layout and content. Method of use explained.

## VEHICLE IDENTIFICATION NUMBERING SYSTEM

The Vehicle Identification Number comprises of a series of letters and numbers presenting, in code such information as Marque, Model Range, Class, Engine and Emission type etc. The code for the Jaguar 4.0 and 6.0 range is as follows:

### **PREFIX 1 to 4**

#### **World Manufacture Identifier**

SAJJ Jaguar

### **PREFIX 5**

#### **Model Range**

H = XJ6

K = VDP

M = XJ12

### **PREFIX 6**

#### **Class**

M Canada-Drivers Air Bag

W USA-Drivers Air Bag

N Canada-Driver & Passenger Air Bag

X USA-Driver & Passenger Air Bag

### **PREFIX 7**

#### **Body Variant**

L = 4 Door Saloon

M = 4 Door LWB Saloon

### **PREFIX 8**

#### **Engine Variant**

D = 4.0 Litre

S = 6.0 Litre

### **PREFIX 9**

#### **Transmission and Steering**

4 = Auto LHS

8 = Manual LHS

### **PREFIX 10**

#### **Year Change**

P = 1993

R = 1994

### **PREFIX 11**

#### **Emission Control System**

J 4.0 Emission C – Canada

P = 6.0 Emission A – Canada/USA

S = 4.0 Emission A – Canada/USA

### **PREFIX 12**

#### **Serial Number**

# UNIQUE VEHICLE IDENTIFICATION NUMBERING SYSTEM

## **PREFIX 1 to 3 – World Manufacturer**

SAJ = Jaguar

## **PREFIX 4 – Model Range**

H = XJ6

K = Vanden Plas

M = XJ12

## **PREFIX 5 – Class**

W = Single airbag

X = Twin airbag

M = Canada single airbag

N = Canada twin airbag

## **PREFIX 6 – Body Type**

1 = 4 Door SWB Sedan

6 = 4 Door LWB Sedan

## **PREFIX 7 – Engine type**

3 = 6.0 Litre

7 = 4.0 Litre

## **PREFIX 8 – Transmission & Steering**

4 Auto LH Steering

## **PREFIX 9 – Check Digit**

?

## **PREFIX 10 – Model Year**

P = 1993

R = 1994

## **PREFIX 11 – Assembly Plant**

C = Browns Lane

IP1114

## **MODEL YEAR VIN NUMBERS**

1993 M.Y. – 667829

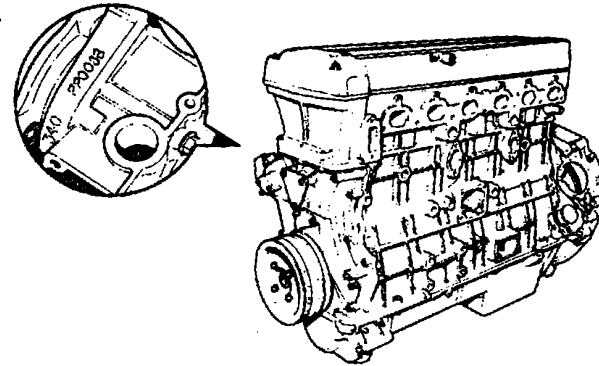
V12 Saloon – 673299

1994 M.Y. – 687219

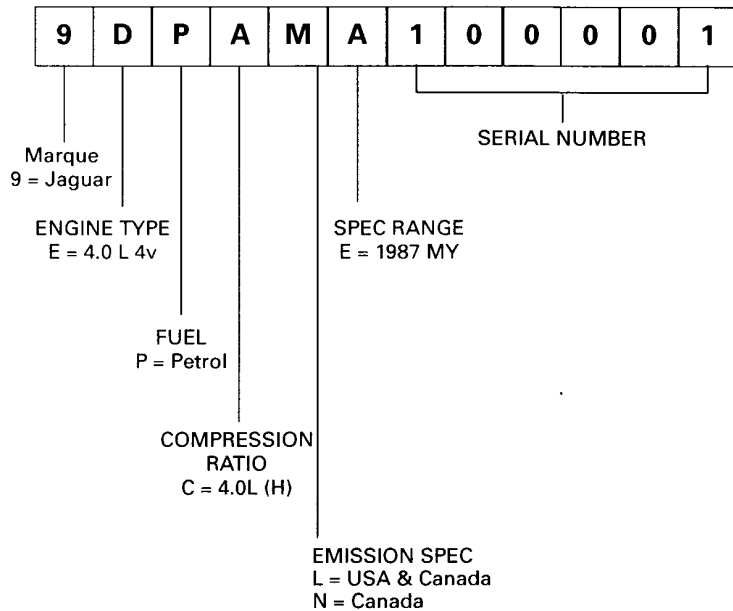
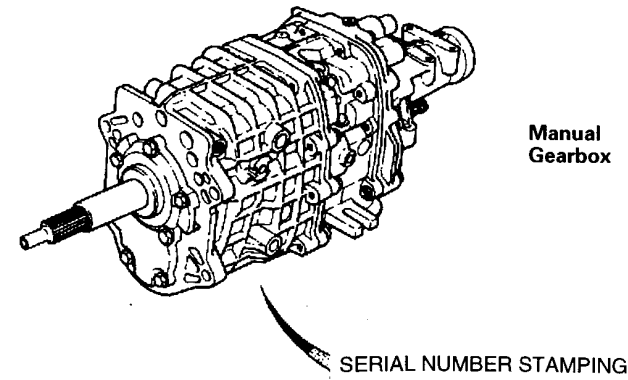
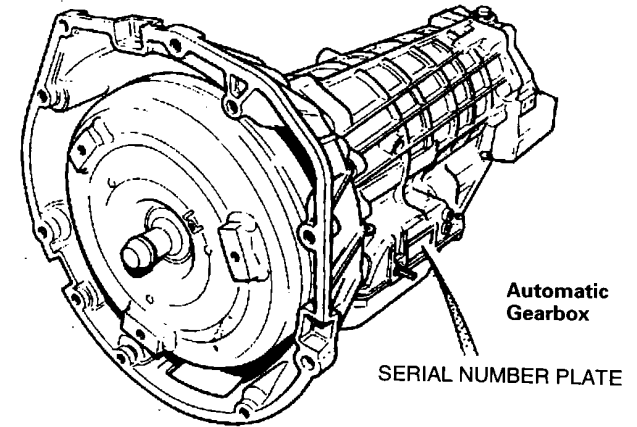
# MAJOR UNIT IDENTIFICATION NUMBERING SYSTEMS 4.0 LITRE

## ENGINE IDENTIFICATION

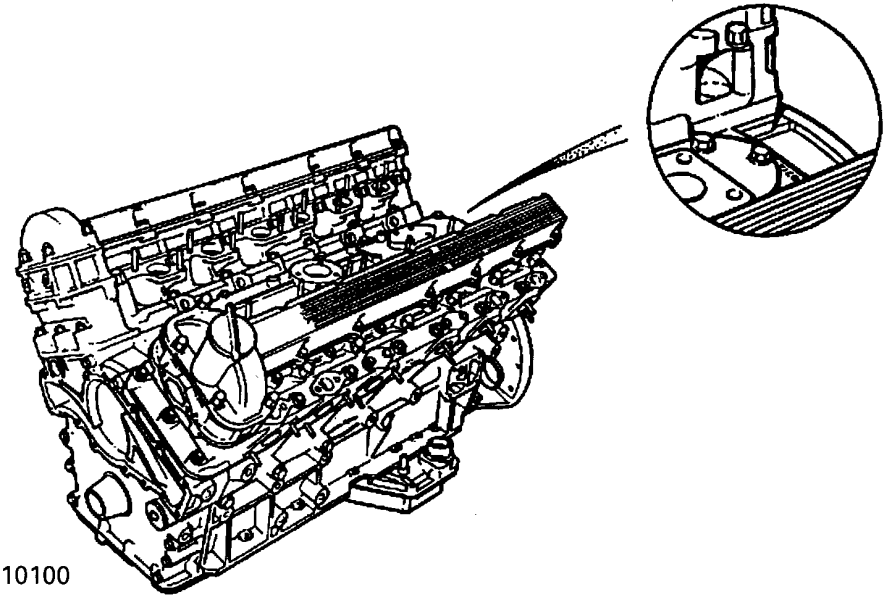
An engine numbering system comprising 12 characters will be applied to the XJ6 variants. Detailed below is a sample number with all the applicable codes that are to be used.



## GEARBOX SERIAL No. LOCATIONS

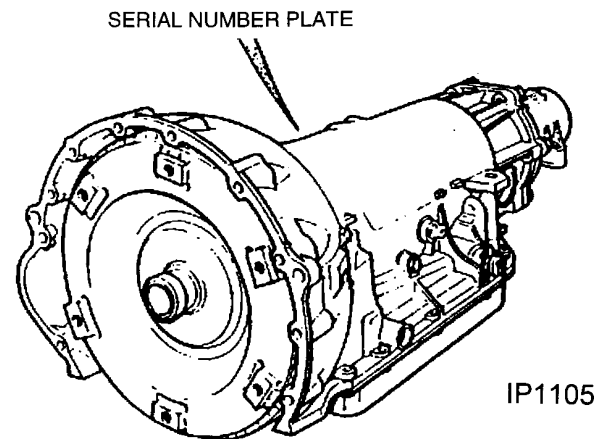


## MAJOR UNIT NUMBERING SYSTEM 6.0 LITRE



The 6.0 litre range engine numbers commence with the prefix 8C: e.g. 8C.10100

The serial number for the 6.0L automatic gearbox is located on the right side of the transmission case



IP1105

## BODY COLOUR CODES

BODY COLOUR	PAINT CODE
BLACK (1)	PDH
BLACK (2)	PDT
BRITISH RACING GREEN	HFB
DIAMOND BLUE	JFN
FLAMENCO RED	CFH
GLACIER WHITE	NDP
GUNMETAL	LEH
JADE GREEN	HEV
KINGFISHER BLUE	HFE
METEOR RED (1)	CFJ
MOROCCO RED	CFG
OYSTER	SDE
PLATINUM	LEP
REGENCY RED	CFA
ROSE BRONZE (2)	FDL
SIGNAL RED	CFC
SILVER FROST	MDK
SOLENT BLUE	JFJ
WESTMINSTER BLUE	JFG

(1) Up to 1994 MY

(2) From 1994 MY



## TRIM COLOUR COMBINATION CHART

Refer to car Indent Trim Plate on A Post of car for the overall trim colour.

By using the charts below, the colours of the required trimmed items can be obtained, choose the required suffix for that colour  
e.g. Carpet in Champagne with Barley Binding will be BEC 8402/MSB.

	*COLUMN 1		*COLUMN 2		*COLUMN 3		*COLUMN 4		*COLUMN 5		*COLUMN 6		*COLUMN 7	
OVERALL INTERIOR COLOUR DESCRIPTION	SEATS, DOOR CASINGS, CENTRE CONSOLE, UNDERSCUTTLE		SEAT BELT WEBBING & FURNITURE		FACIA (INCLUDING DOOR TOP ROLLS)		UPPER AREA TRIM/HEADLINING, ETC. SUNROOF APERTURE FURFLEX		CARPET INTERIOR		DOOR APERTURE FURFLEX (DOOR WELT)		BOOT CARPET	
DOESKIN	DOESKIN DOESKIN SCULPTURED FABRIC	(AEE) (ANT)	DOESKIN	(AEE)	DOESKIN	(AEE)	DOESKIN	(AEE)	RATTAN (DOESKIN BINDING)	(AEF) (PAF)	DOESKIN	(AEE)	SISAL	(AFG)
BARLEY	BARLEY BARLEY SCULPTURED FABRIC	(AFW) (ANV)	BARLEY	(AFW)	BARLEY	(AFW)	DOESKIN	(AEE)	CHAMPAGNE (BARLEY BINDING)	(SDB) (MSB)	DOESKIN	(AEE)	SISAL	(AFG)
MAGNOLIA	MAGNOLIA	(AEM)	MAGNOLIA	(AEM)	BARLEY	(AFW)	DOESKIN	(AEE)	CHAMPAGNE (MAGNOLIA BINDING)	(SDB) (NSB)	DOESKIN	(AEE)	SISAL	(AFG)
SAVILE GREY	SAVILE GREY SAVILE GREY SCULPTURED FABRIC	(LDY) (LEY)	SAVILE GREY	(LDY)	MID GREY	(LEM)	SAVILE GREY	(LDY)	SMOKE GREY (SAVILE GREY BINDING)	(LEA) (LAJ)	SAVILE GREY	(LDY)	LIGHT GREY	(LFH)
ISIS BLUE	ISIS BLUE ISIS BLUE SCULPTURED FABRIC	(JEF) (JGF)	WARM CHARCOAL	(LEG)	WARM CHARCOAL	(LEG)	SAVILE GREY	(LDY)	SMOKE GREY (SAVILE GREY BINDING)	(LEA) (LAJ)	SAVILE GREY	(LDY)	LIGHT GREY	(LFH)
PARCHMENT	PARCHMENT	(HEZ)	PARCHMENT	(HEZ)	SAGE GREEN	(HFA)	DOESKIN	(AEE)	SAGE GREEN (PARCHMENT BINDING)	(HFA) (THA)	DOESKIN	(AEE)	SISAL	(AFG)
WARM CHARCOAL	WARM CHARCOAL	(LEG)	WARM CHARCOAL	(LEG)	WARM CHARCOAL	(LEG)	SAVILE GREY	(LDY)	SMOKE GREY (SAVILE GREY BINDING)	(LEA) (LAJ)	WARM CHARCOAL	(LEG)	LIGHT GREY	(LFH)
CREAM	CREAM	(NDR)	BARLEY	(AFW)	COFFEE	(SDC)	COFFEE	(SDC)	COFFEE (CREAM BINDING)	(SDC) (SSC)	DOESKIN	(AEE)	SISAL	(AFG)
CREAM	CREAM CREAM & COFFEE (1)	(NDR) (RNR)	BARLEY	(AFW)	COFFEE	(SDC)	COFFEE (2)	(SDC)	COFFEE (CREAM BINDING)	(SDC) (SSC)	DOESKIN	(AEE)	SISAL	(AFG)

(1) XJ12 USA ONLY - 1994 MY ON

(2) Except H/lining, sunroof lining & roof furlflex - Doeskin

\* REFER TO B11 FOR DETAILED BREAKDOWN OF COLUMNS

## DETAILED BREAKDOWN OF COLUMNS 1 TO 7 (See previous page)

**Items applicable to:**

**COLUMN 1**

Lower 'A' Post Side Casings  
Underscuttle Casing  
Door Pockets  
Armrests  
Door Pull Inserts  
Centre Console  
Console Cubby Box Lid  
Seating including Head Restraints  
B/C Post Lower  
Parcel Shelf Facing  
Handbrake Gaiter  
Seat Belt Bezel (rear parcel)  
Console Extension Rear Compartment  
High Mounted Rear Stop Lamp Cover  
Fuse Box Cover  
Fuse Box Cover Fixings  
Cover Plugs Seat Back Shelf (when manual recline/lumbar support not fitted)  
B/C Post Lower Fixings

**COLUMN 2**

All Seat Belt Webbing including passive restraint and lap belts front/rear  
All plastic moulded seat belt furniture:  
- belt running loops  
- running loop bolt cap  
- belt buckles (male and female)

**COLUMN 3**

Facia  
Trimmed End Plates  
Instrument Cowl  
Front and Rear Door Top Rolls  
Front Top Roll Demist Vent

**COLUMN 4**

Interior Lamp Surround  
Sunvisors  
Sunroof Aperture Furlflex  
Map Light Barrel (roof console) (1)  
Roof Console Fixing Screw (1)  
Cantrail Trim (2)  
B/C Post Upper [Trim (2)  
Seat Belt Bezel (B/C Post Upper) (2)  
Grab Handles/Dowager Straps (2)  
D/E Post Trim (2)  
E Post Reading Lights (2)  
Rear Header Rail Cover (2)  
Sunvisor Pivot Arm & Clips (2)  
Sunroof Switch & Surround (2)  
'A' Post/Cantrail to Facia  
Trim Escutcheon  
Head Lining  
Sunroof Lining

**COLUMN 5**

Carpets inc. fur rugs

**COLUMN 6**

Door Aperture Furlflex

**COLUMN 7**

Boot Carpets

**COLUMNS 1, 2, 3, 4, 6**

BARLEY	AW	AFW
WARM CHARCOAL	LZ	LEG
CREAM	-	NDR
DOESKIN	XE	AEE
ISIS BLUE	JF	JEF
MAGNOLIA	ZM	AEM
PARCHMENT	-	HEZ
SAVILE GREY	LY	LDY
MID GREY	-	LEM
COFFEE	-	SDC
CREAM/COFFEE	-	RNR

**Also including:  
WITH CONTRAST PIPING/STITCHING**

DOESKIN/BUCKSKIN	WXE
DOESKIN/ISIS BLUE	ZXE
DOESKIN/CHERRY RED	XXE
MAGNOLIA/BARLEY	MZM
MAGNOLIA/ISIS BLUE	ZZM
MAGNOLIA/CHERRY RED	XZM
PARCHMENT/SAGE GREEN	UHZ
SAVILE GREY/MID GREY	VLV
SAVILE GREY/ISIS BLUE	ZLY
SAVILE GREY/CHERRY RED	XLY
CREAM/COFFEE	RNR
DOESKIN/MULBERRY	YXE
MAGNOLIA/MULBERRY	YZM
SAVILE GREY/MULBERRY	YLY

**SEATS – SCULPTURED FABRIC**

DOESKIN	ANT
BARLEY	ANV
SAVILE GREY	LEY
ISIS BLUE	JGF

**COLUMN 5  
CARPETS**

CHAMPAGNE	SDB
SMOKE GREY	LEA
SAGE GREEN	HFA
RUBY	CFN
COFFEE	SDC
RATTAN	AEF

**CARPETS WITH CONTRAST BINDING**

CHAMPAGNE/BARLEY	MSB
CHAMPAGNE/MAGNOLIA	NSB
SAGE GREEN/PARCHMENT	THA
SMOKE GREY/SAVILE GREY	LAJ
RUBY/CHERRY RED	CNK
COFFEE/CREAM	SSC
RATTAN/DOESKIN	PAF

**COLUMN 6**

DOESKIN	XE	AEE
SAVILE GREY	LY	LDY

**COLUMN 7  
BOOT CARPET**

SISAL	AFG
LIGHT GREY	LFH

## XJ6 AND SOVEREIGN 'GOLD' – COLOUR AND TRIM

### INTERIOR COLOURS – RESTRICTED RANGE

DOESKIN AND SAVILE GREY AVAILABLE WITH ALL BODY COLOURS  
 MAGNOLIA AVAILABLE AS OPTION ON XJ6 GOLD – ALL BODY COLOURS  
 CREAM AVAILABLE AS OPTION ON SOVEREIGN GOLD – ALL BODY COLOURS

### INTERIOR COLOUR KEYING POLICY

CHART SHOWS MAIN INTERIOR TRIM COMPONENTS

MAIN TRIM COLOUR SEATS/CONSOLE/ETC	CONTRAST PIPING/ DOOR POCKET PANELS	FACIA/ TOP ROLLS (1)	H'LINING/ROOF CONS' SUNVISORS & CLIPS	UPPER ENVIRONMENT (2)	CARPET	CARPET BINDING	SEATBELTS
DOESKIN	N/A (XJ6) BUCKSKIN (SOV)	DOESKIN	DOESKIN	DOESKIN	RATTAN	DOESKIN	DOESKIN
SAVILE GREY	N/A (XJ6) MID-GREY (SOV)	MID-GREY	SAVILE GREY	SAVILE GREY	SMOKE GREY	SAVILE GREY	SAVILE GREY
MAGNOLIA (XJ6 ONLY)	N/A	BARLEY	DOESKIN	DOESKIN	CHAMPAGNE	MAGNOLIA	MAGNOLIA
CREAM (SOV ONLY)	COFFEE	COFFEE	DOESKIN	COFFEE	CHAMPAGNE	CREAM	BARLEY

(1) WARM CHARCOAL FACIA/TOP ROLLS ARE AVAILABLE AS AN OPTION, WITH UPPER ENVIRONMENT COLOURED KEYED TO HEADLINING.

(2) UPPER ENVIRONMENT INCLUDES A-POST CANTRAILS, REAR HEADER, D/E POST TRIM, DOWAGER STRAPS, UPPER B/C POST, MAPLIGHTS, COATHOOK, SUNBLIND BEZELS