

REAR DISC BRAKE BRAKE PADS [G1822059]

REMOVAL AND INSTALLATION

70.40.03	REAR BRAKE PADS - RENEW	ALL DERIVATIVES	0.60	USED WITHINS	
70.40.03	REAR BRAKE PADS - RENEW	ALL DERIVATIVES	0.60	USED WITHINS	
70.40.03.58	REAR BRAKE PADS - RENEW - SVR	ALL DERIVATIVES	0.60	USED WITHINS	

REMOVAL

WARNINGS:

- Brake pads must be renewed in axle sets only, otherwise braking efficiency may be impaired.
- If the brake pad wear warning light has been activated, a new brake pad wear sensor must be installed.

NOTE:

Removal steps in this procedure may contain installation details.

1. If this component is being renewed because of a customer complaint, make sure to follow the brake system Diagnosis and Testing procedure.
Refer to: [Brake System](#) (206-00 Brake System - General Information, Diagnosis and Testing).
2. Connect the diagnostic tool and set the electronic park brake (EPB) to the maintenance position.

3.

 **NOTE:**

This step is only required if the diagnostic tool is not available.

Set the electronic park brake (EPB) to the maintenance position.

Refer to: [Electric Park Brake Service Mode Activation and Deactivation](#) (206-05 Parking Brake and Actuation, General Procedures).

4.

 **NOTE:**

This step is only required if the vehicle has no battery power.

Set the electronic park brake (EPB) to the maintenance position.

Refer to: [Electric Park Brake Release When the Vehicle Has No Electrical Power](#) (206-05 Parking Brake and Actuation, General Procedures).

5.

Raise and support the vehicle.

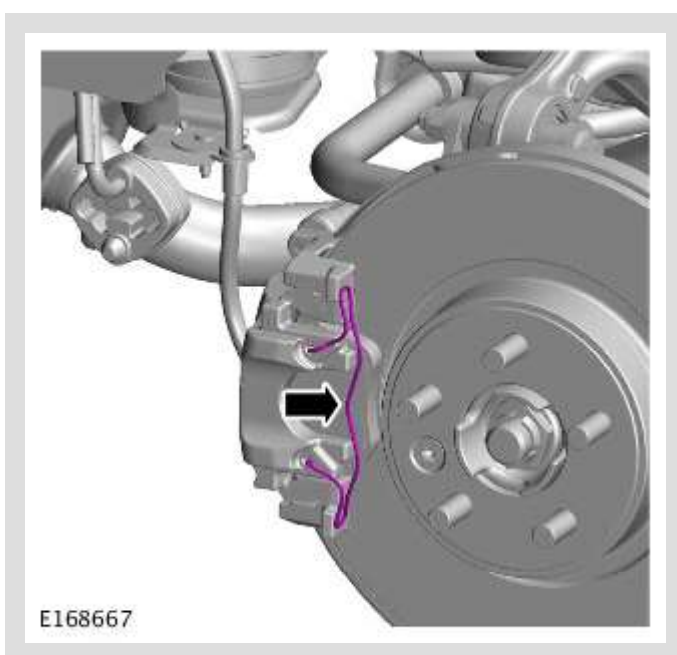
Refer to: [Lifting](#) (100-02 Jacking and Lifting, Description and Operation).

6.

Remove the rear wheel.

Refer to: [Wheel and Tire](#) (204-04 Wheels and Tires, Removal and Installation).

7.

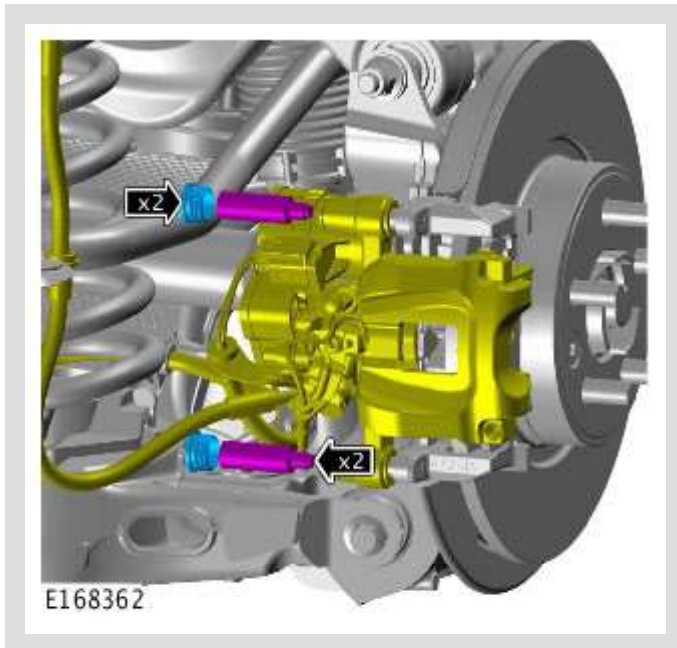


Remove the spring.

8.

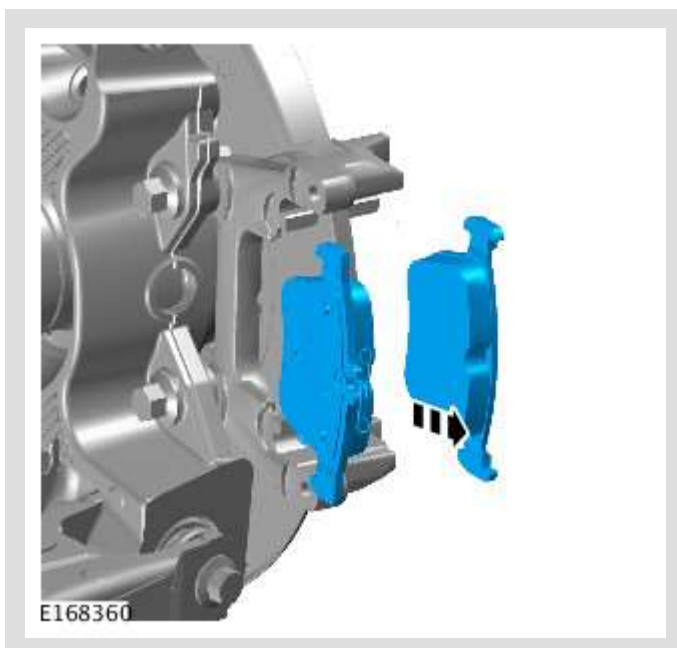
 **NOTE:**

The brake pad wear indicator sensor is easily damaged. Do not use a lever to remove the sensor. Use fingers only.



- Remove the 2 dust covers.
- Remove the 2 slide pins.
- Tie the brake caliper aside.

9.



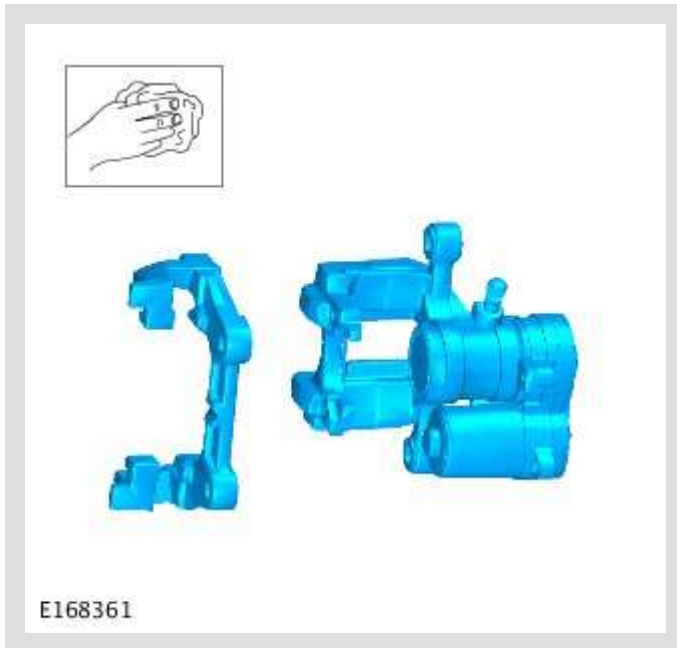
Remove the brake pads.

INSTALLATION

1.

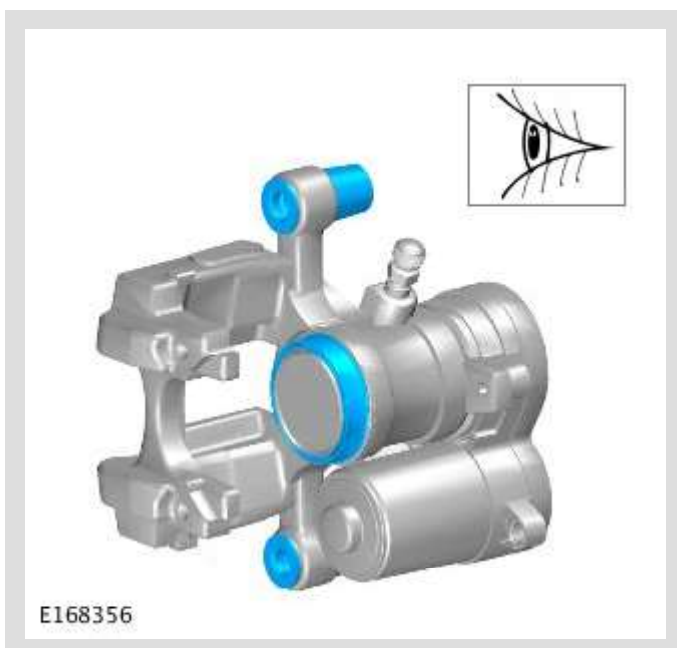
 **WARNING:**

Do not use compressed air to clean brake components. Dust from friction materials can be harmful if inhaled.



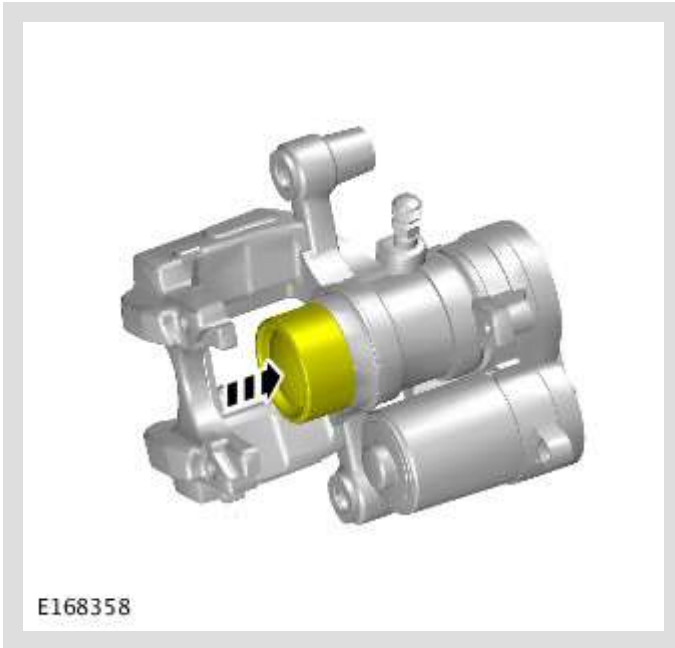
Clean the brake caliper housing and anchor plate using brake cleaning fluid.

2.



Inspect the caliper piston and slide pin seals for damage.

3.



Push the brake caliper pistons back.

4. Install the brake pads.

5.

⚠ CAUTION:

Make sure that the brake hose is not twisted and is correctly located.

📌 NOTE:

Inspect the brake pad wear sensor for signs of wear or damage. Install a new sensor if necessary.

- Install the brake caliper.
- Install the 2 slide pins.
Torque: 28Nm
- Install the 2 dust covers.

6. Install the spring.

7. Install the rear wheel.

Refer to: [Wheel and Tire](#) (204-04 Wheels and Tires, Removal and Installation).

8. Repeat the above procedure for the other side.

9. Depress the brake pedal several times, check the fluid level in the brake fluid reservoir and top-up with brake fluid if necessary.

10. Calibrate the electric parking brake (EPB) using the diagnostic tool.

11.

 **NOTE:**

This step is only required if the diagnostic tool is not available.

Refer to: [Electric Park Brake Service Mode Activation and Deactivation](#) (206-05 Parking Brake and Actuation, General Procedures).

12.

 **NOTE:**

This step is only required if the vehicle has no battery power.

Refer to: [Electric Park Brake Release When the Vehicle Has No Electrical Power](#) (206-05 Parking Brake and Actuation, General Procedures).