

Bumpers - Front Bumper Cover

Removal and Installation


Removal



NOTE: Removal steps in this procedure may contain installation details.

1.  **WARNING:** Make sure to support the vehicle with axle stands.

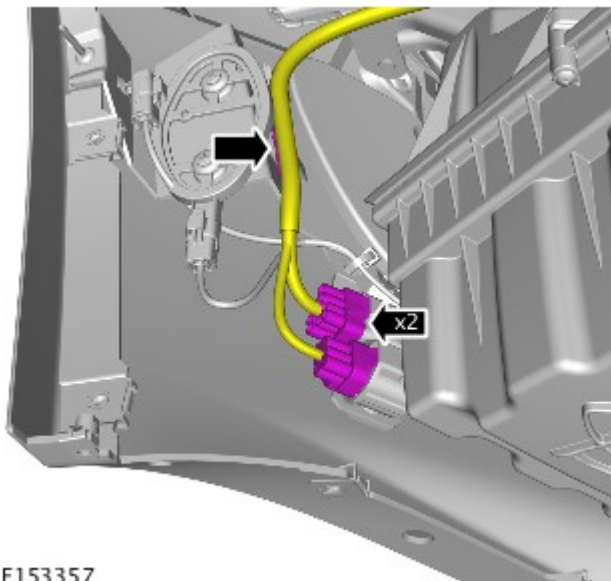
Raise and support the vehicle.

2.  NOTE: The procedure must be carried out on both sides.

Refer to: [Fender Splash Shield](#) (501-02 Front End Body Panels, Removal and Installation).

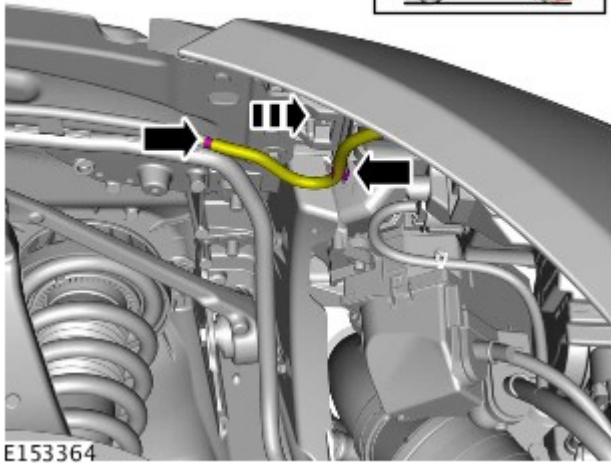
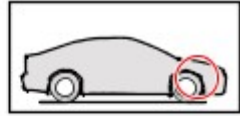
3. Refer to: [Radiator Splash Shield](#) (501-02 Front End Body Panels, Removal and Installation).


4.



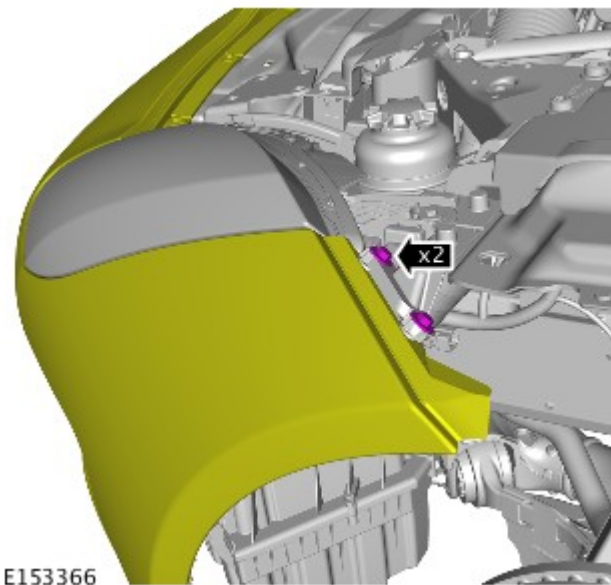
E153357


5.




6.  NOTE: Repeat the procedure for the other side.

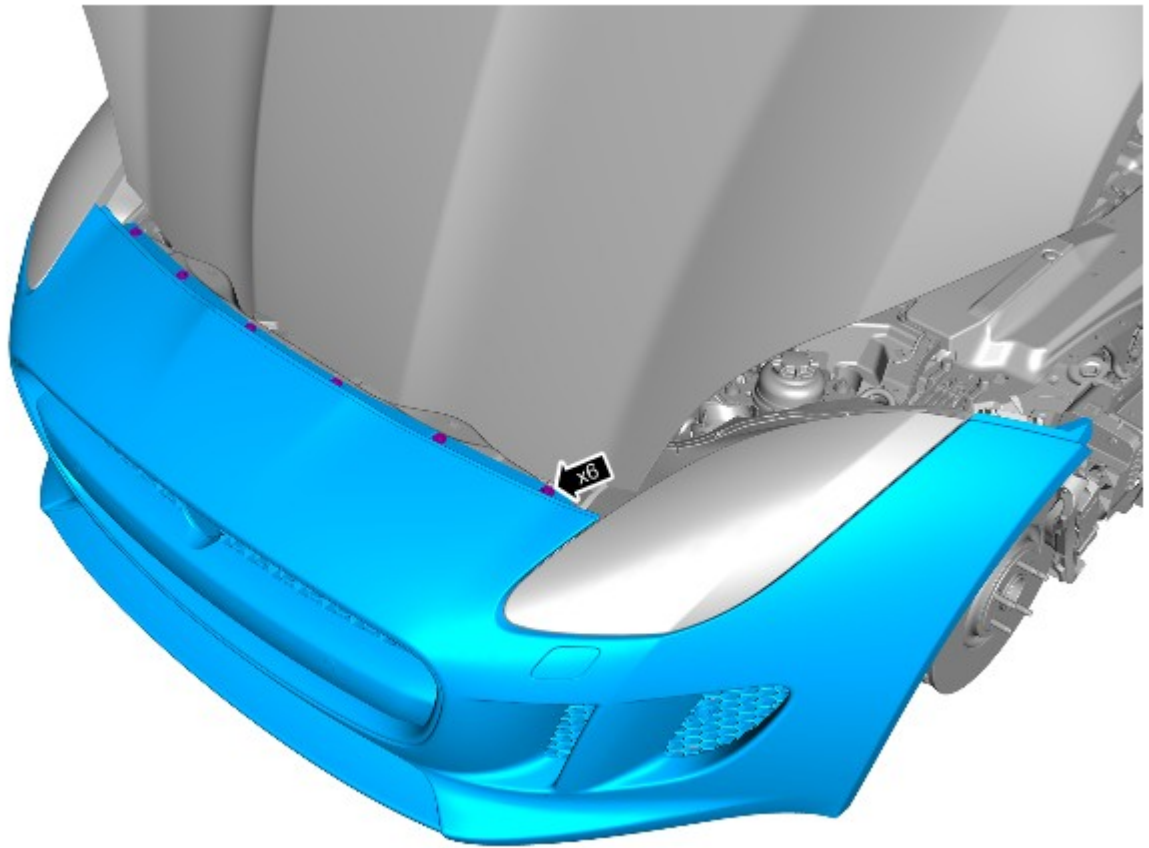
Torque: 4.1 Nm



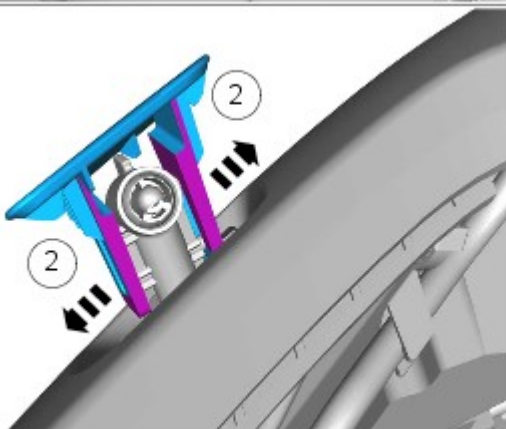
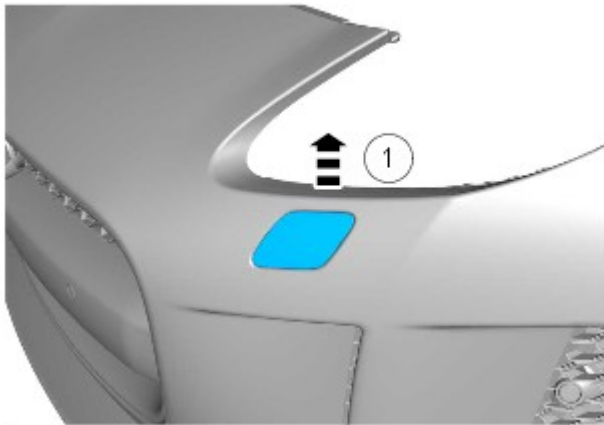
7.  CAUTION: Always protect paintwork and glass when removing exterior components.

 NOTE: Do not disassemble further if the component is removed for access only.


Torque: 4.1 Nm



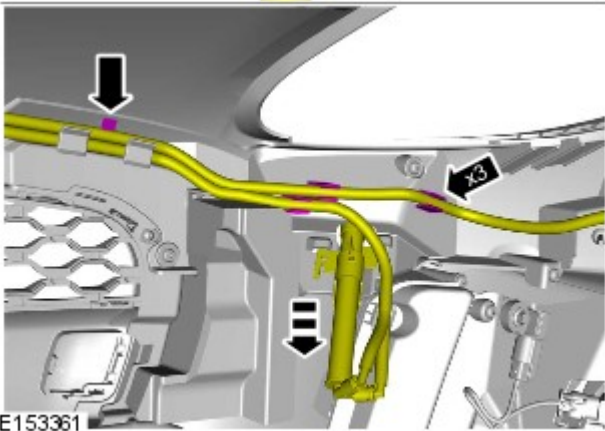
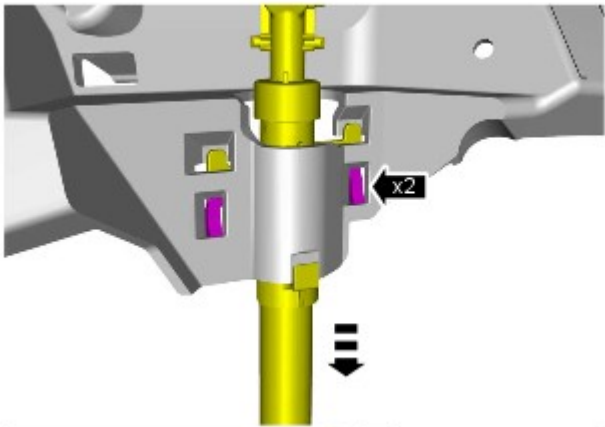
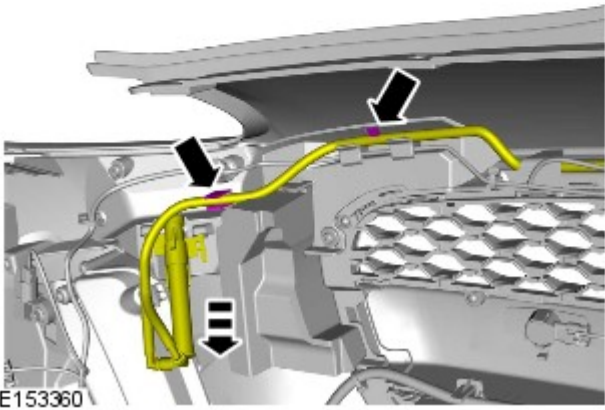
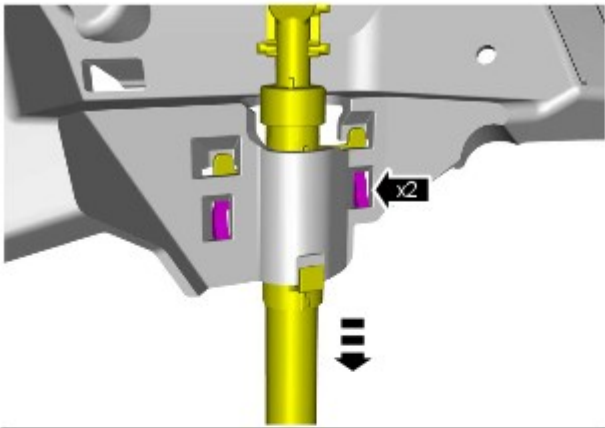
E153365



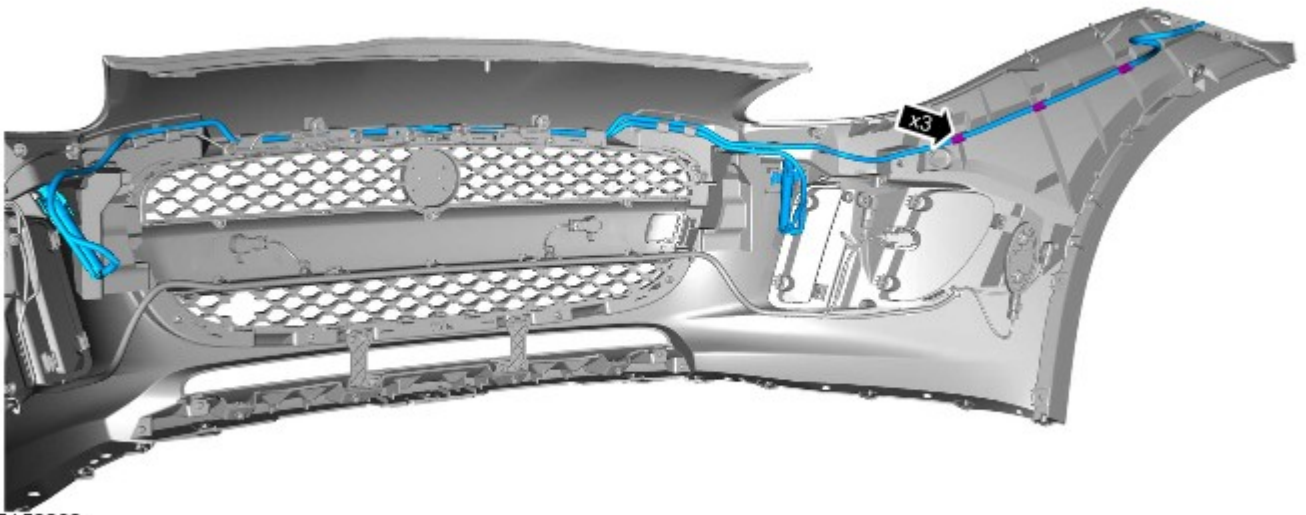
E153359

8.  NOTE: Repeat the procedure for the other side.

9.  CAUTION: Take extra care not to damage the clips.

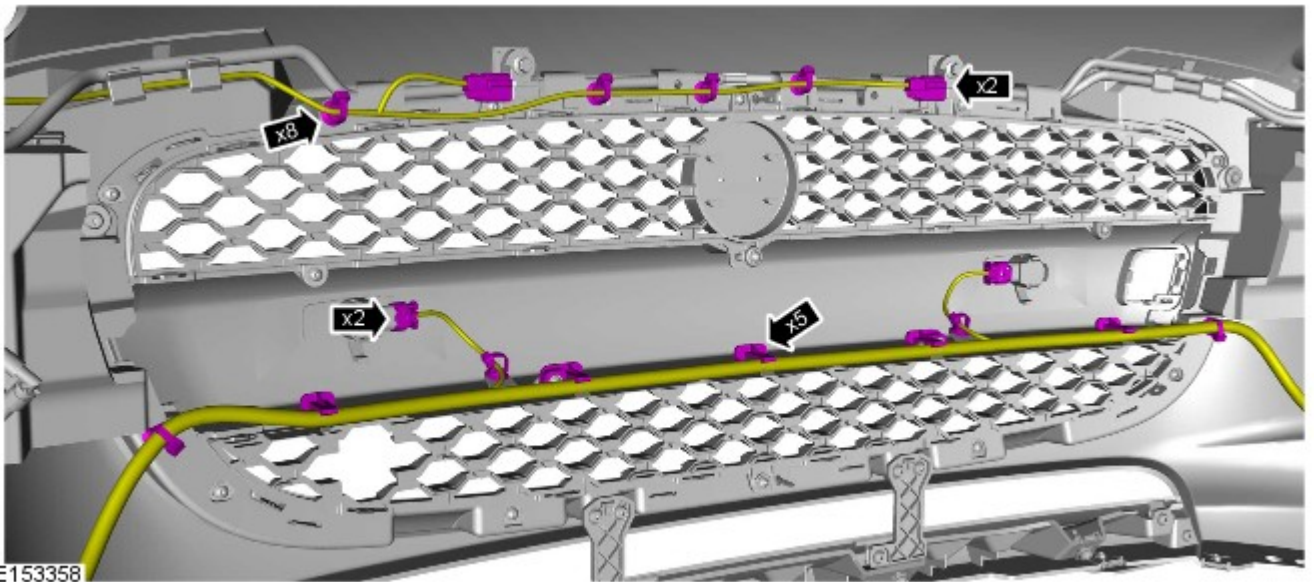


10.  CAUTION: Take extra care not to damage the clips.



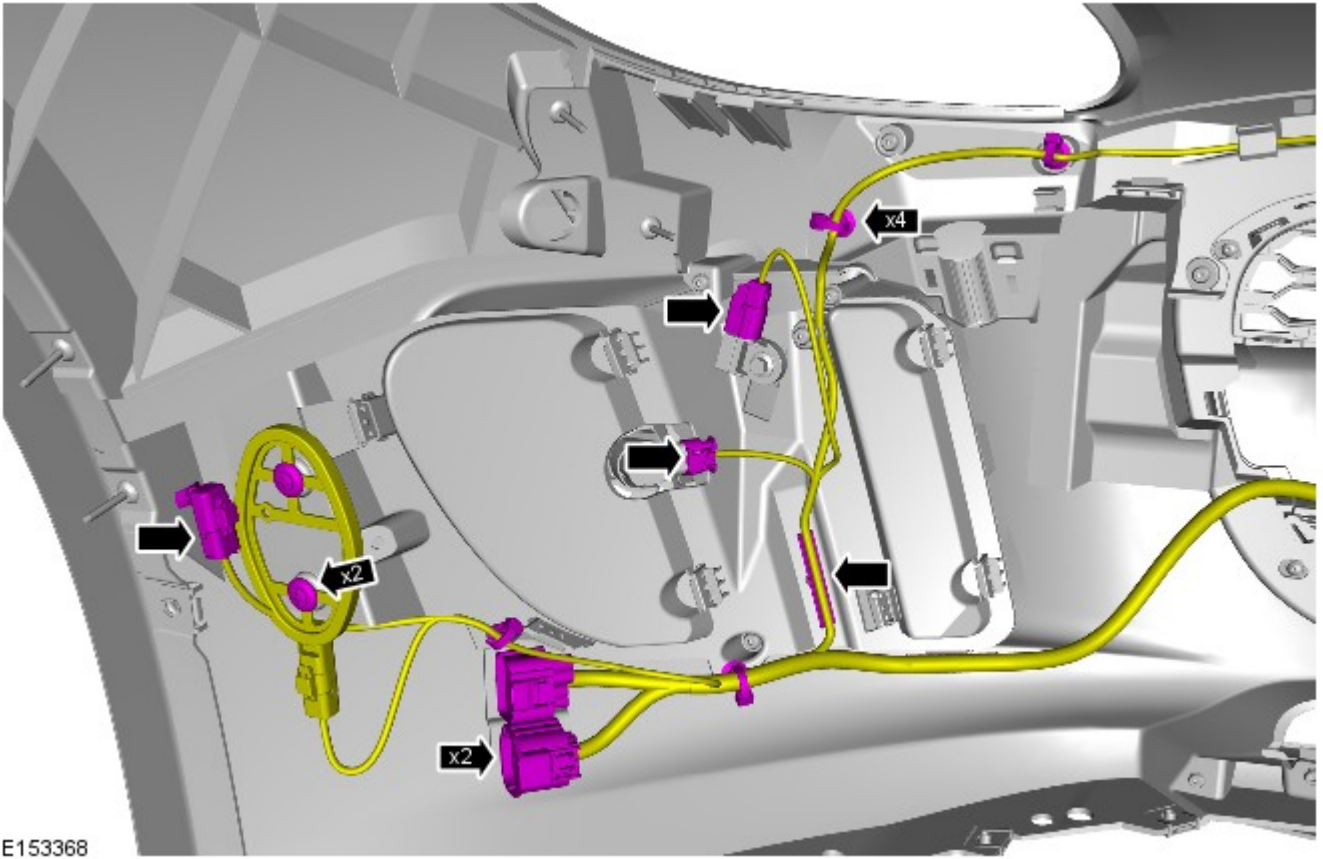
E153363

12.



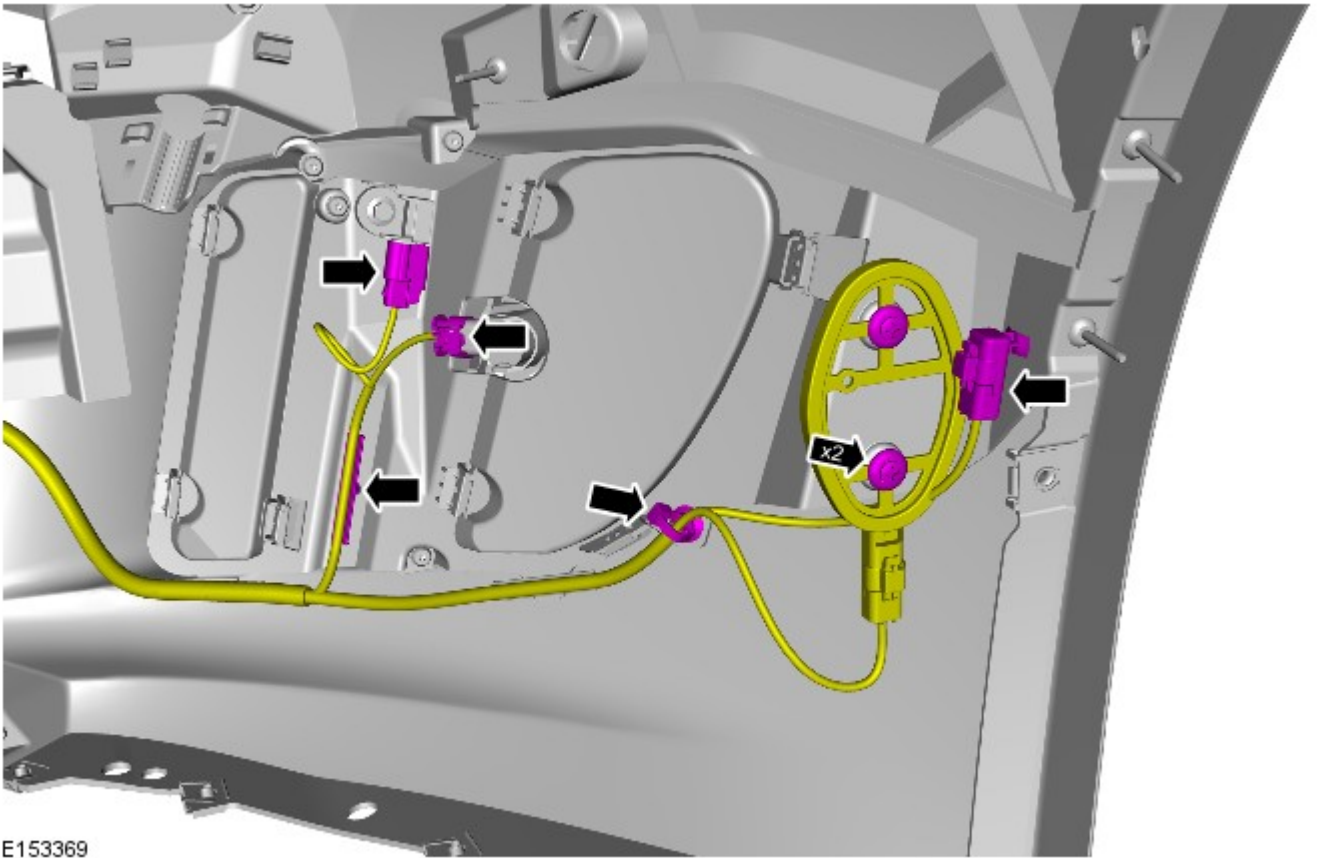
E153358

13.



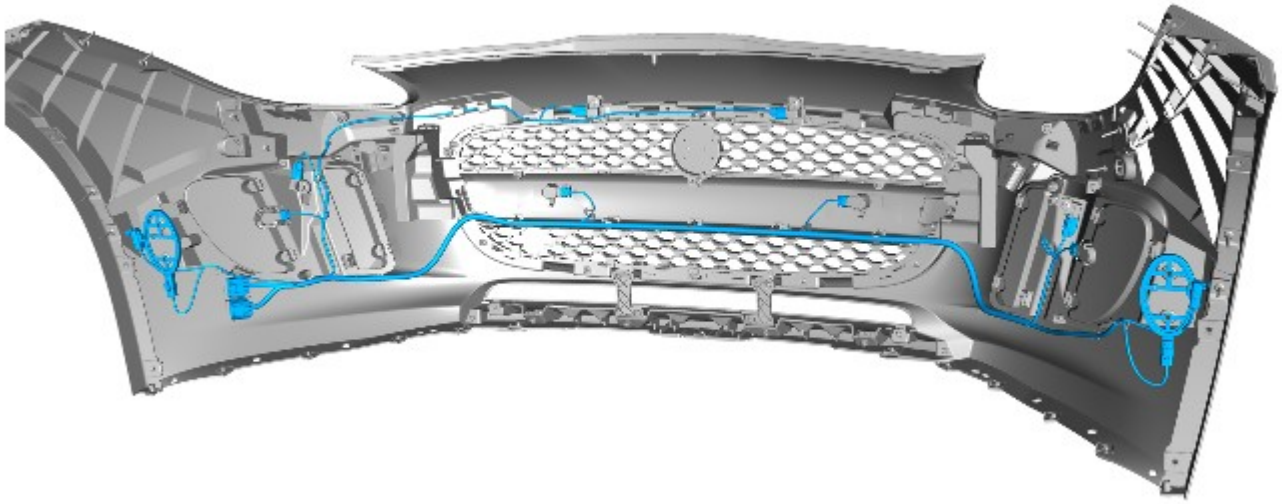
E153368

14.



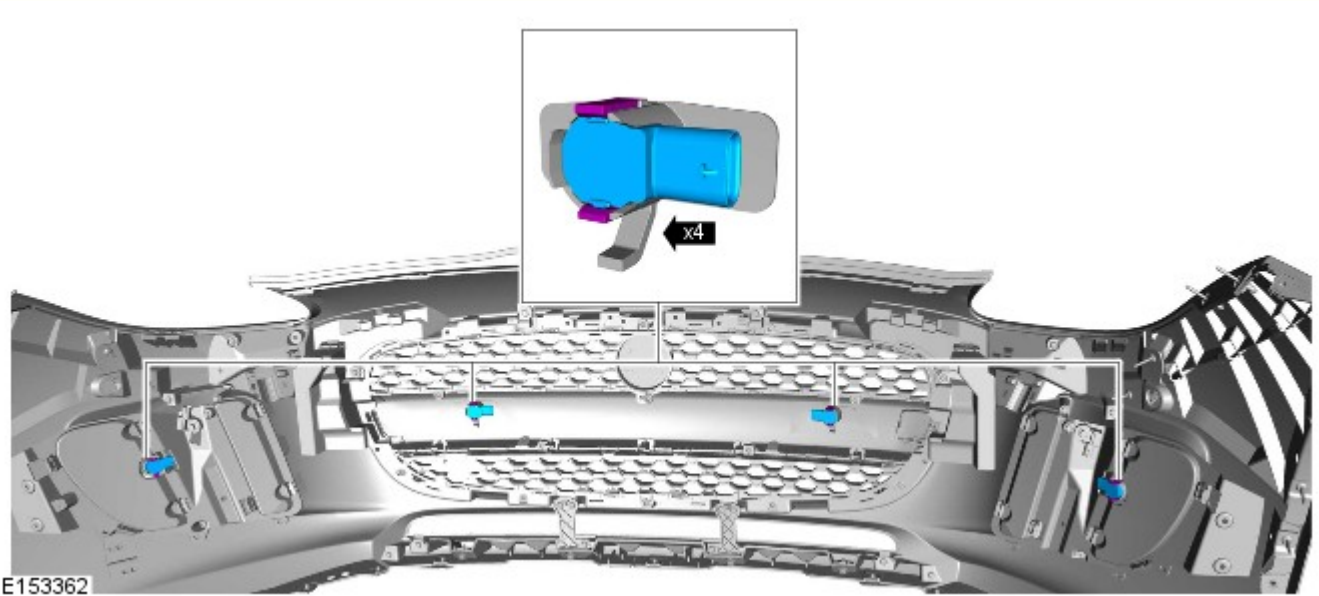
E153369

15.



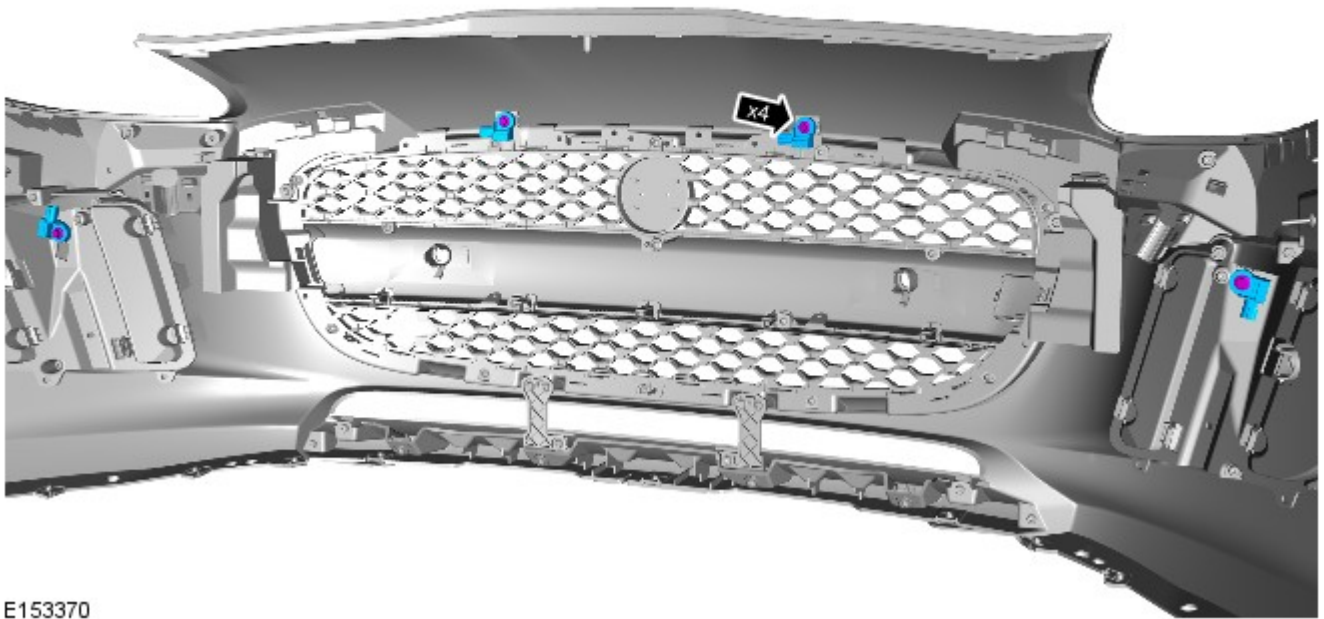
E153367

16.



E153362

17. Torque: 3.2 Nm



E153370

Installation

1. To install, reverse the removal procedure.