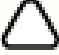


Front End Body Panels - Fender Splash Shield

Removal and Installation

Removal

NOTES:

 Removal steps in this procedure may contain installation details.

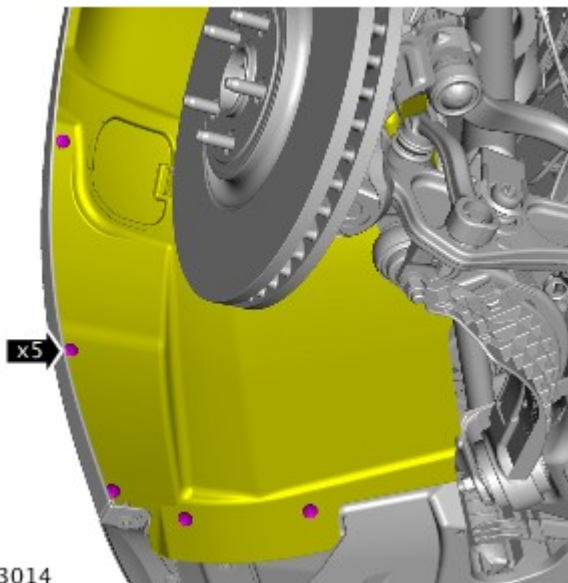
 LH illustration shown, RH is similar.

1.  **WARNING:** Make sure to support the vehicle with axle stands.

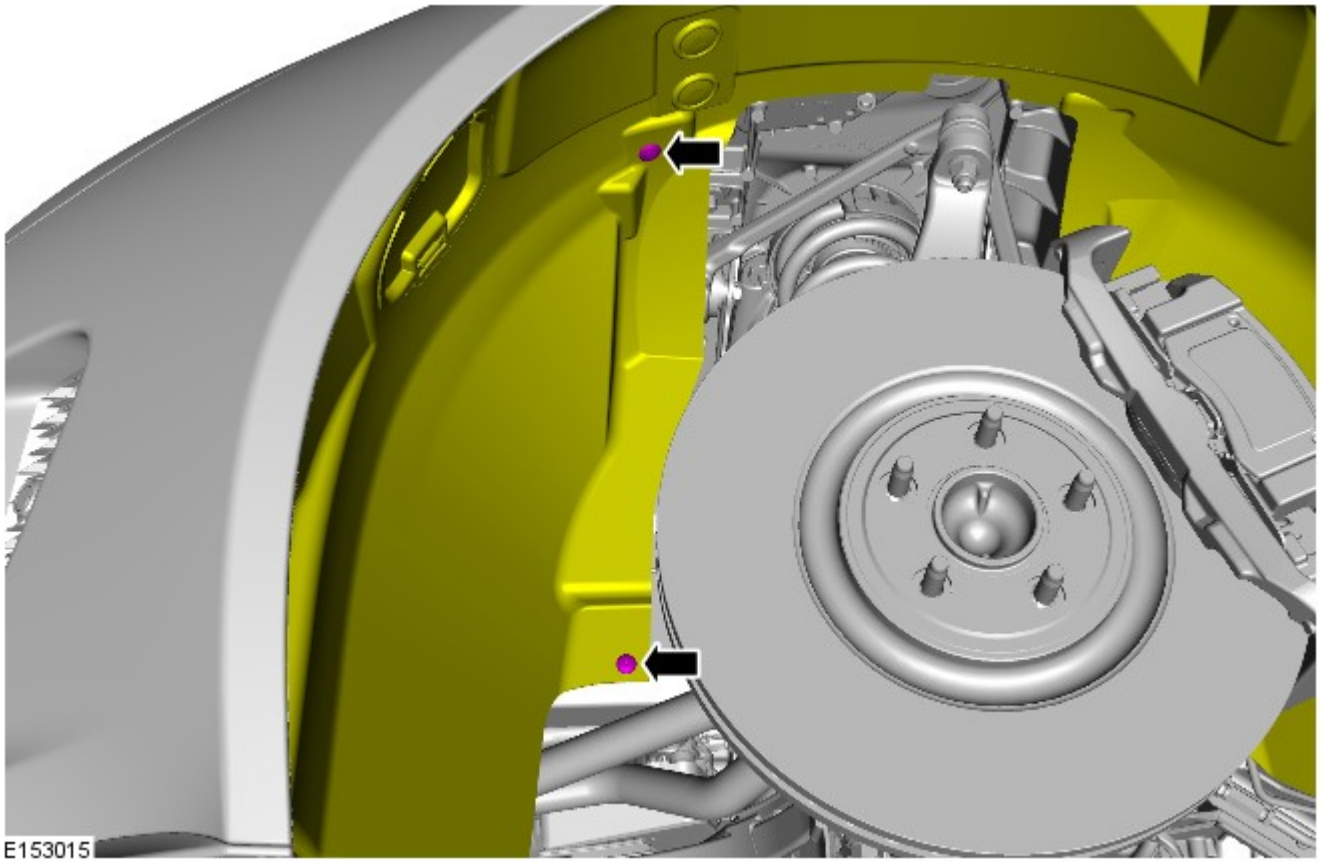
Raise and support the vehicle.

2. Refer to: [Wheel and Tire](#) (204-04 Wheels and Tires, Removal and Installation).

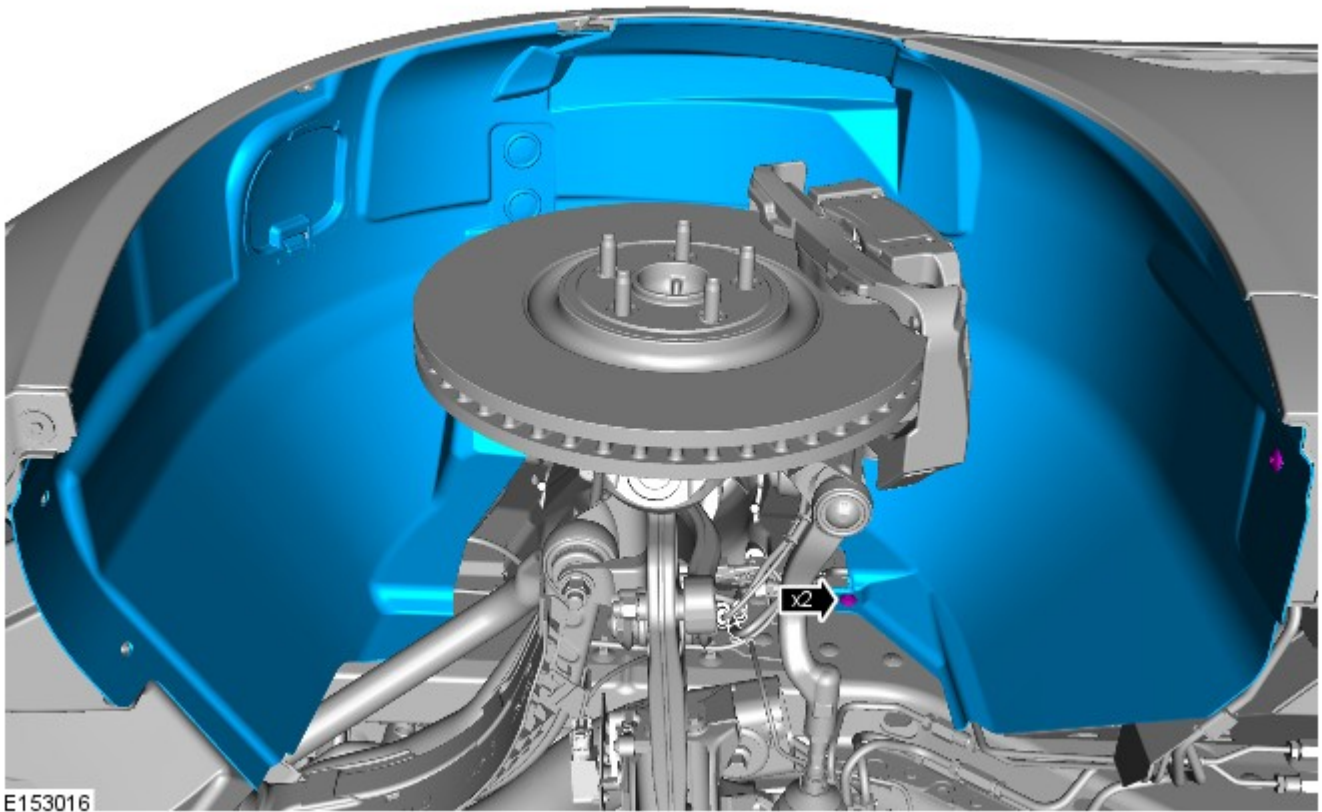
- 3.



- 4.



5.



Installation

1. To install, reverse the removal procedure.