

Interior Trim and Ornamentation - Loadspace Trim Panel Folding Top

Removal and Installation

Removal

NOTES:

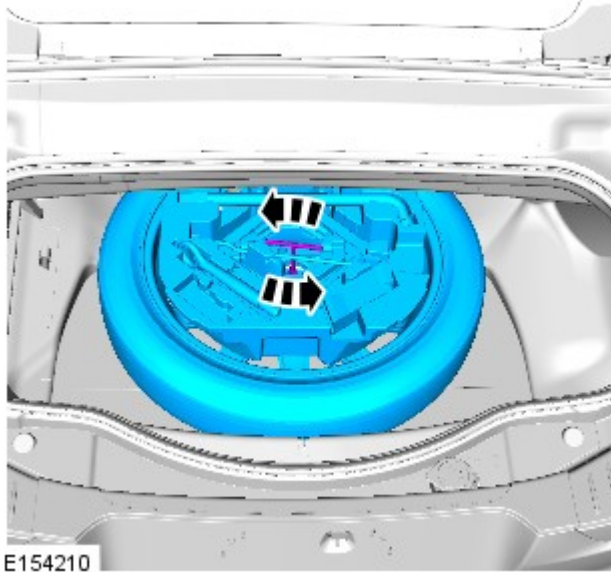


Some variation in the illustrations may occur, but the essential information is always correct.



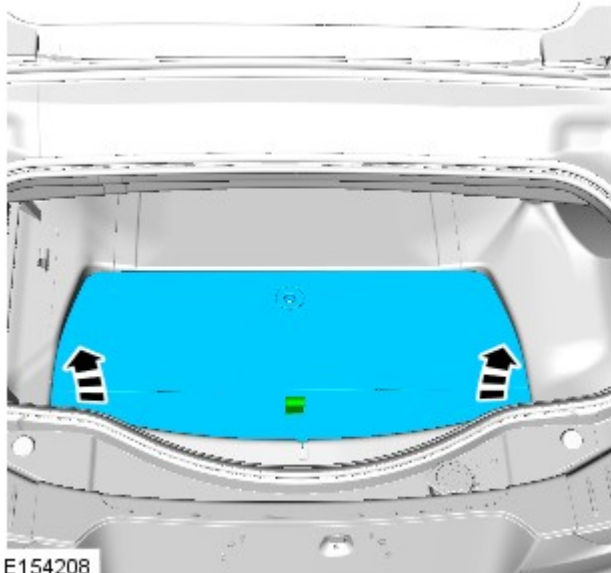
Removal steps in this procedure may contain installation details.

1.



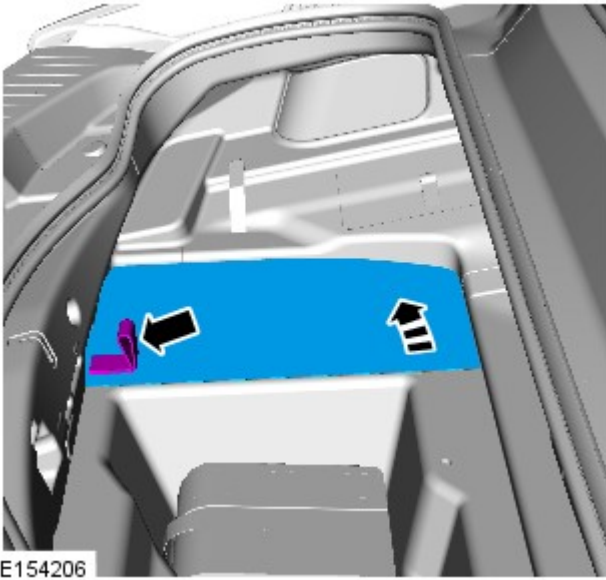
E154210

2.

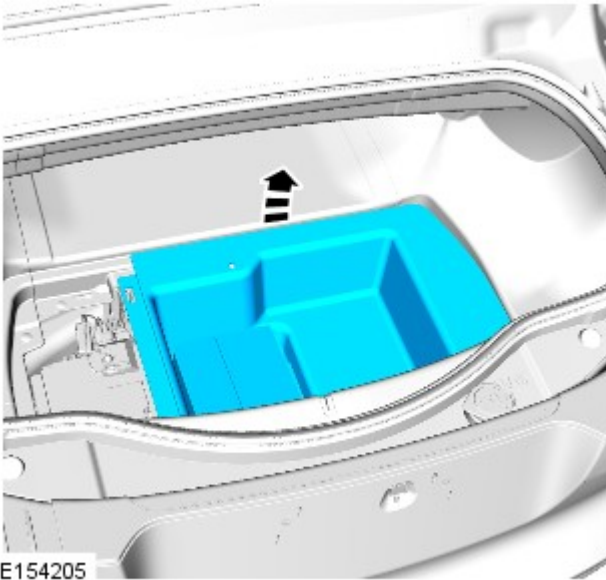


E154208


3.

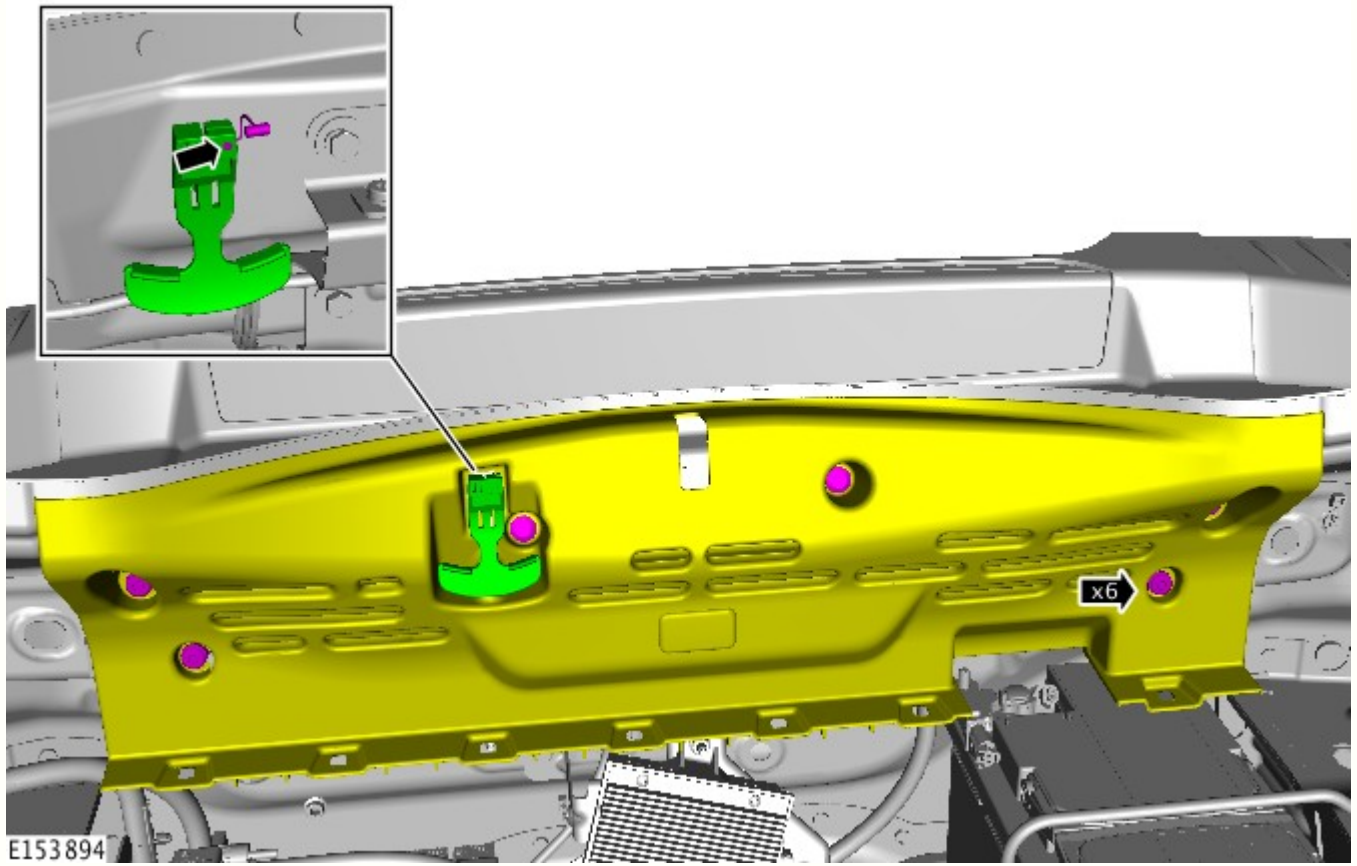


E154206

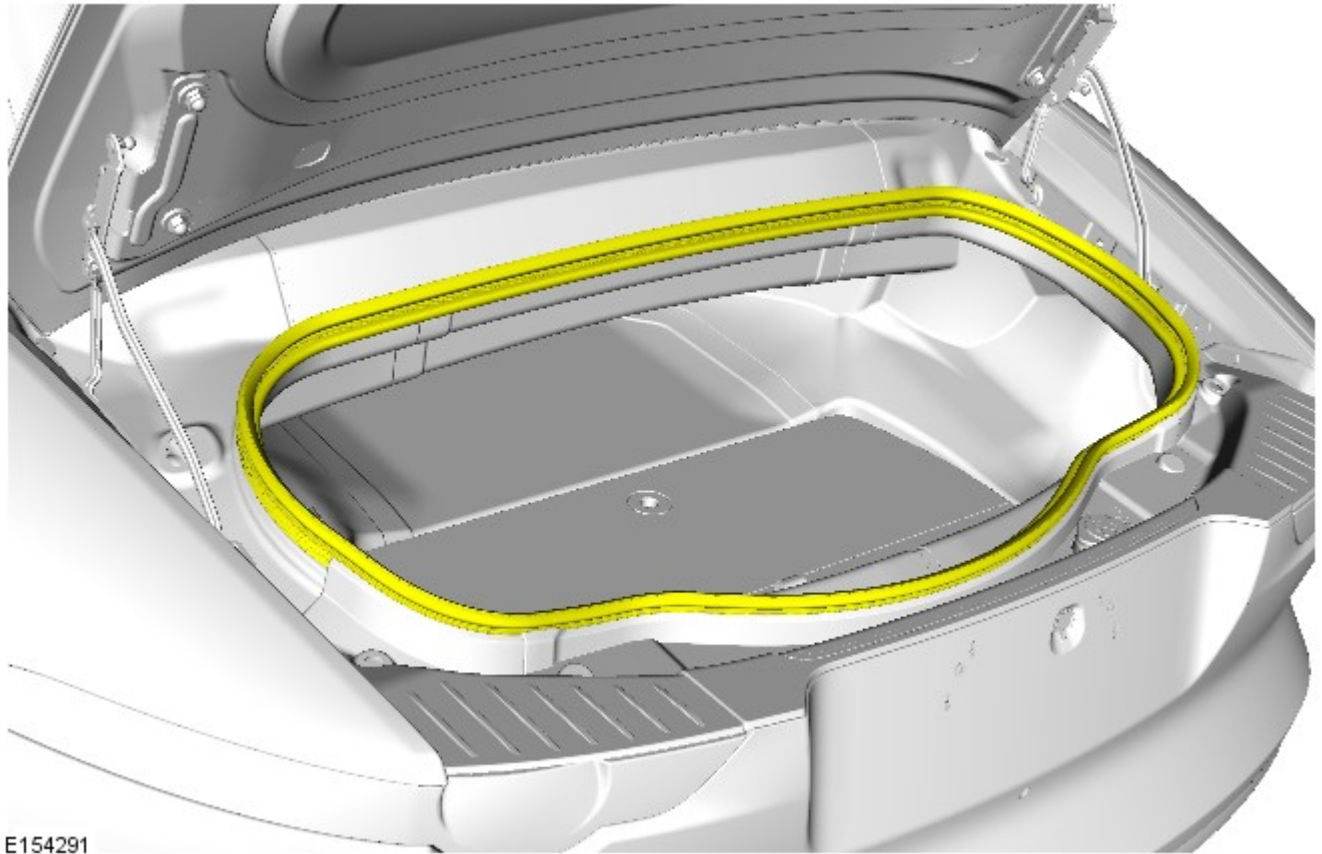


E154205

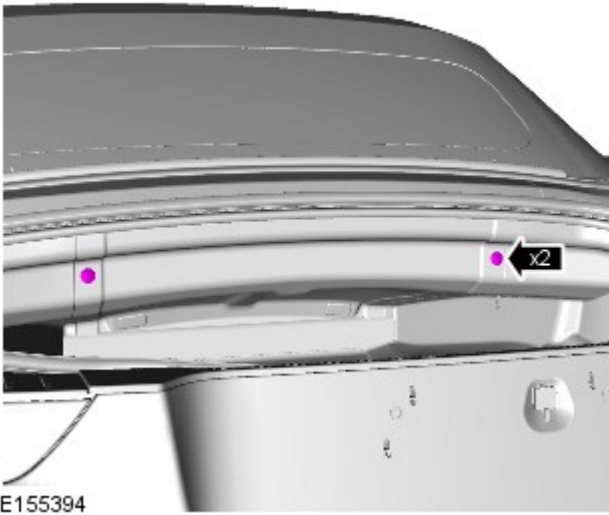
4.  CAUTION: Care must be taken not to damage the component.



6.

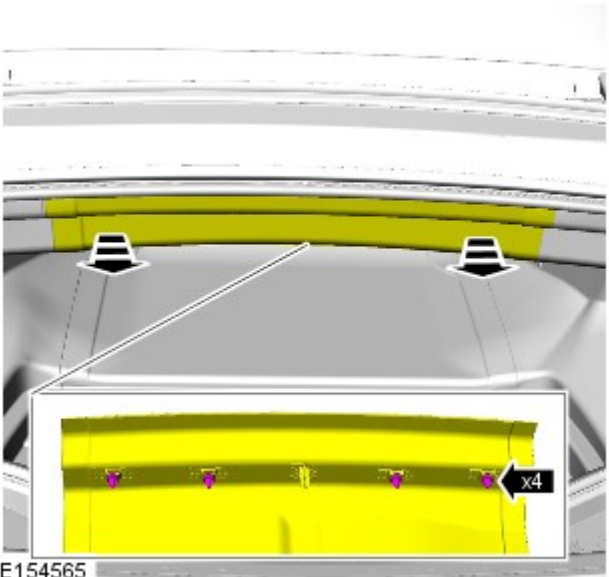


7.



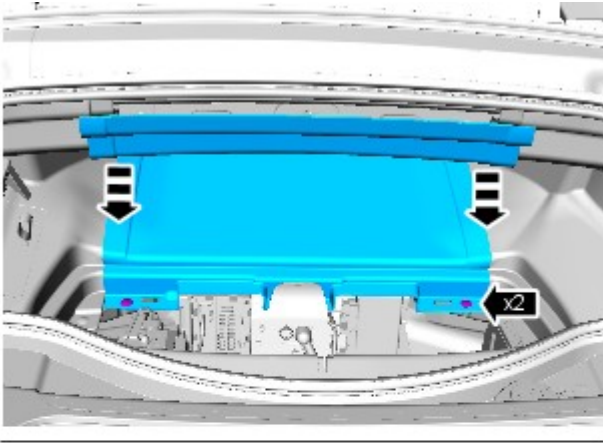
E155394

8.



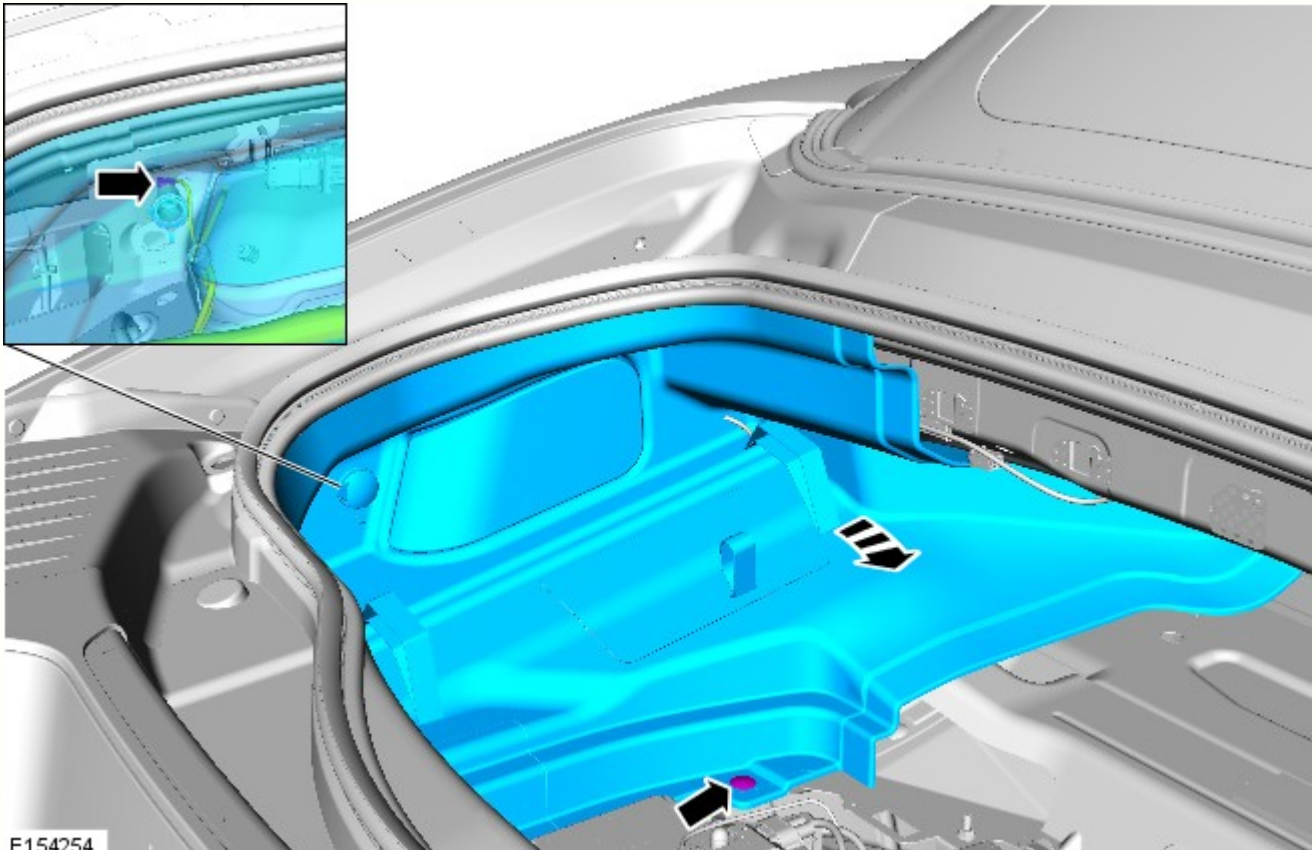
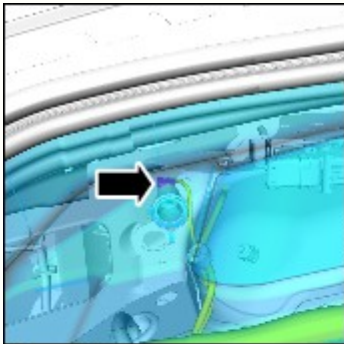
E154565

9.



E154253

10.



E154254

Installation

1. To install, reverse the removal procedure.

