

7.

8. NOTES:



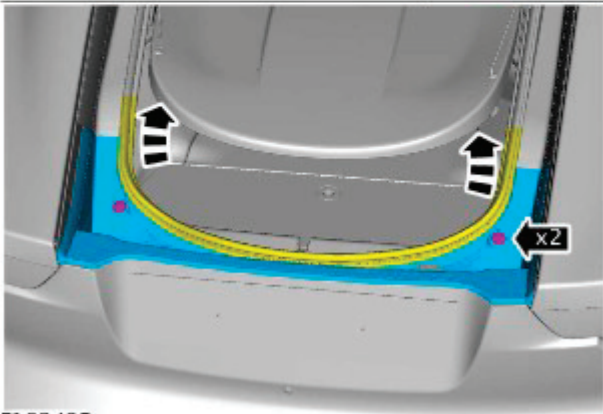
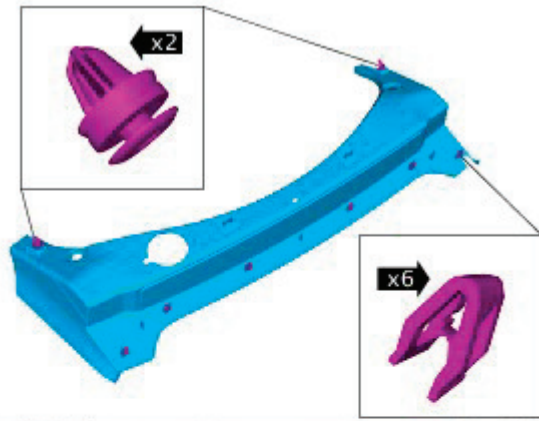
The step must be carried out on both sides.



Make sure that the component is installed to the noted removal position.

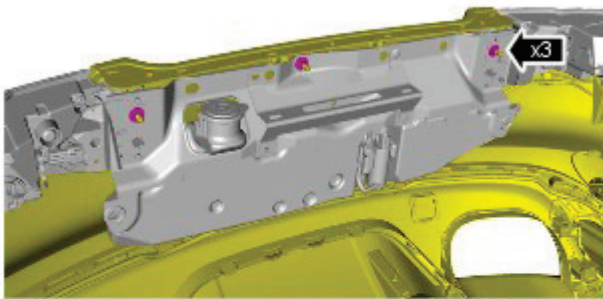
Torque: 4.1 Nm

9.



E162485

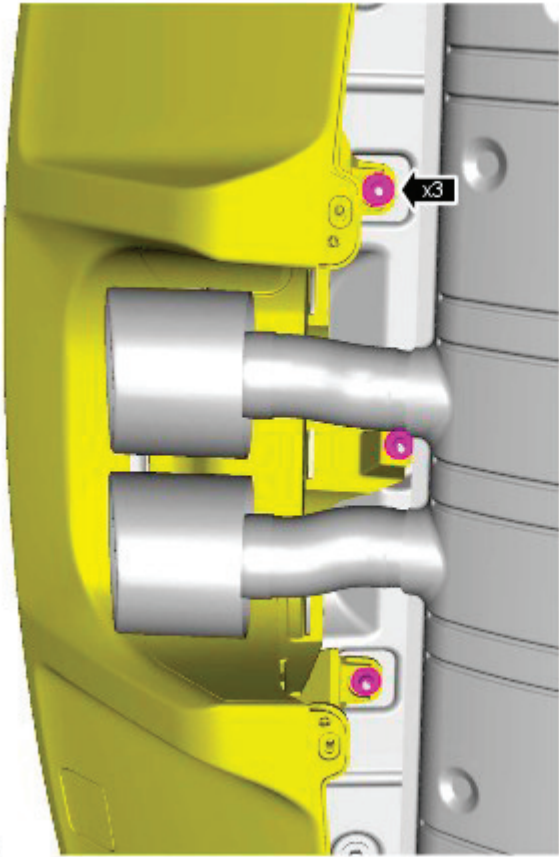
10. Torque: 4.1 Nm



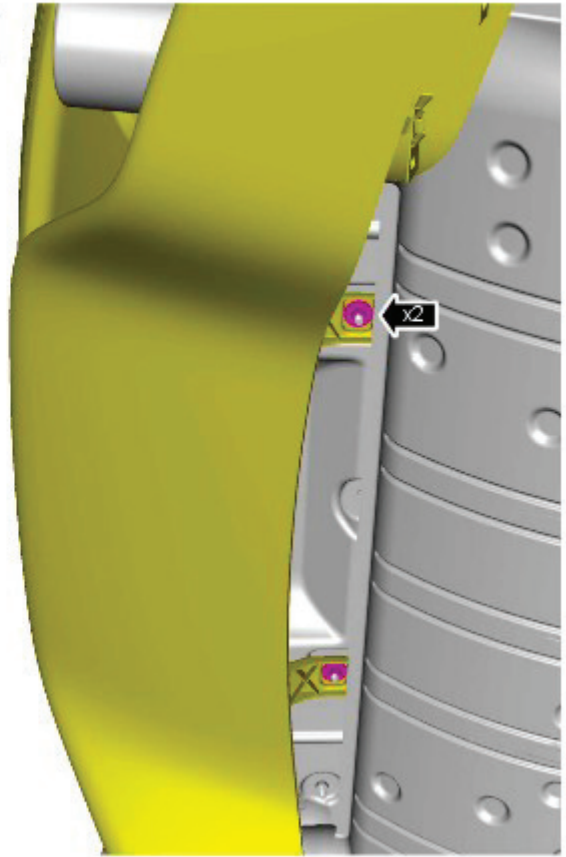
E153518

11. Torque: 4.1 Nm

V6



V8




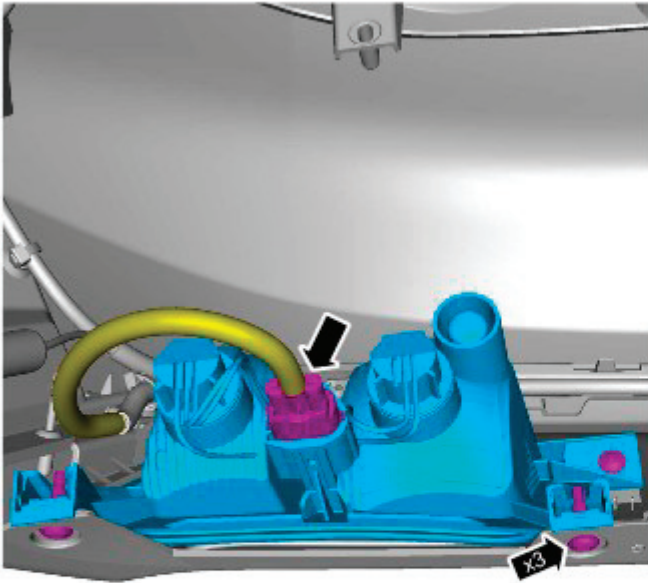
E153515

12.  NOTE: Do not disassemble further if the component is removed for access only.

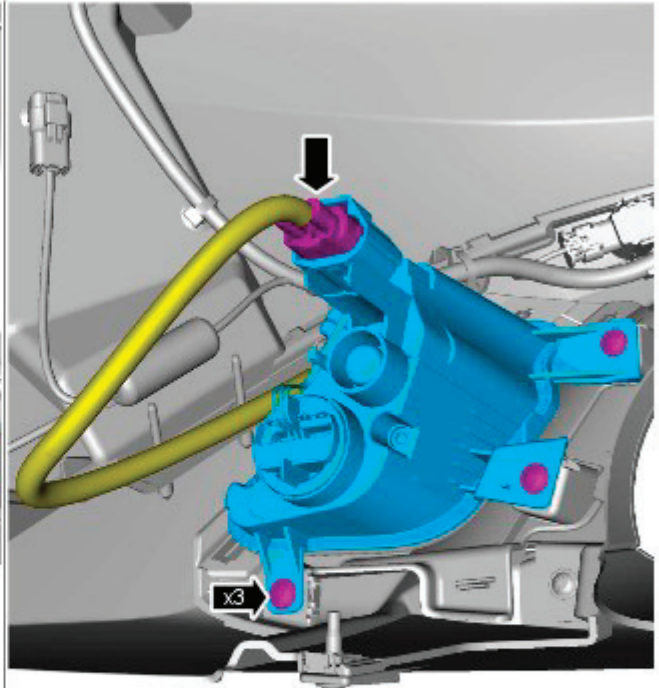


E153517

13.  NOTE: The step must be carried out on both sides.



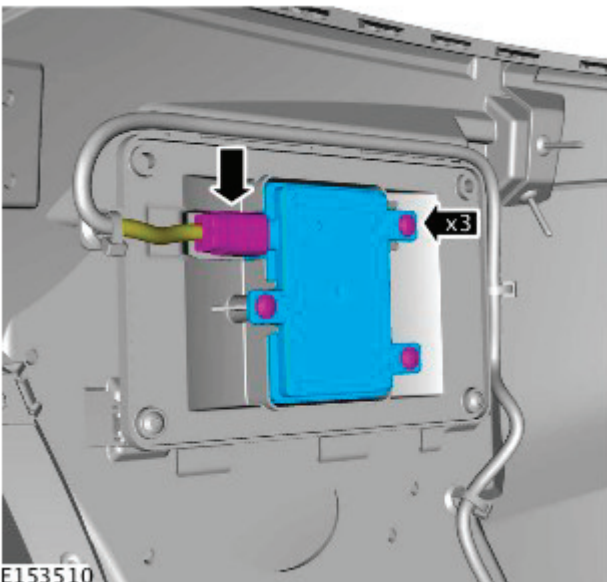
V6




V8

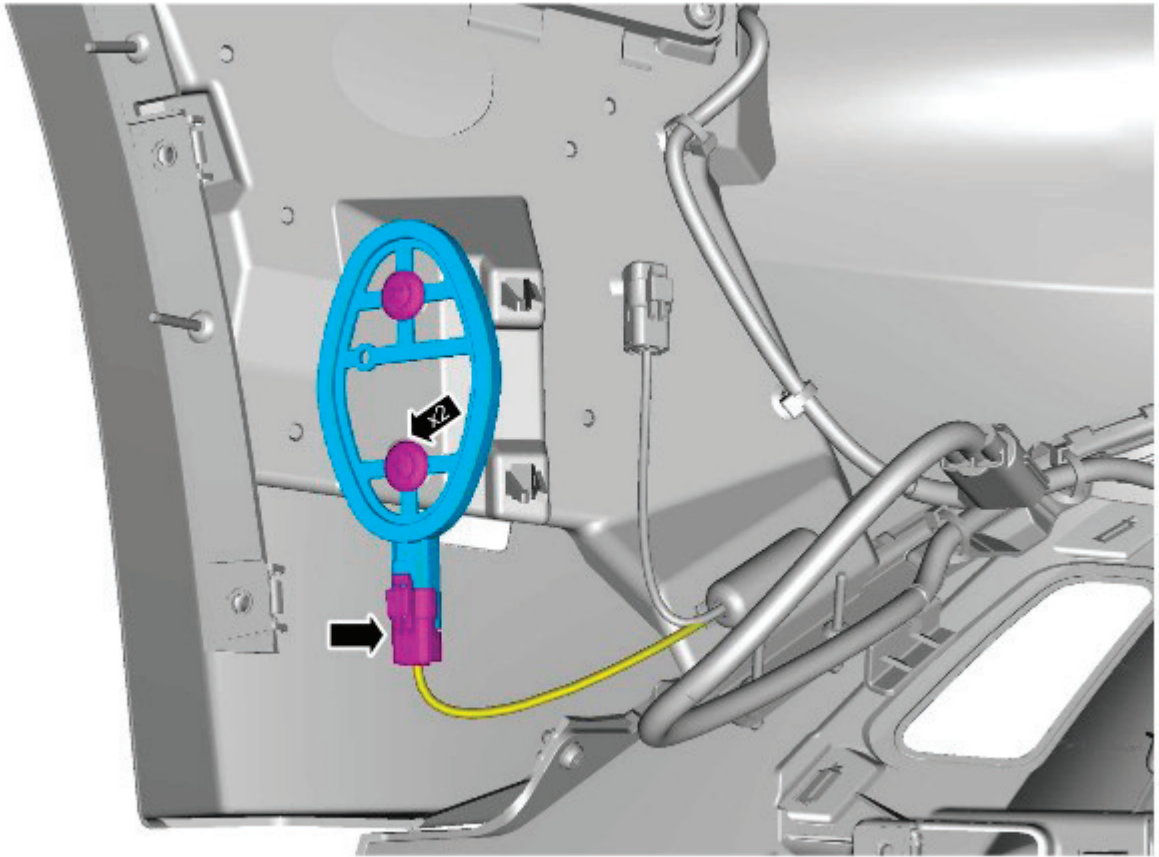
E153514

14.  NOTE: The step must be carried out on both sides.



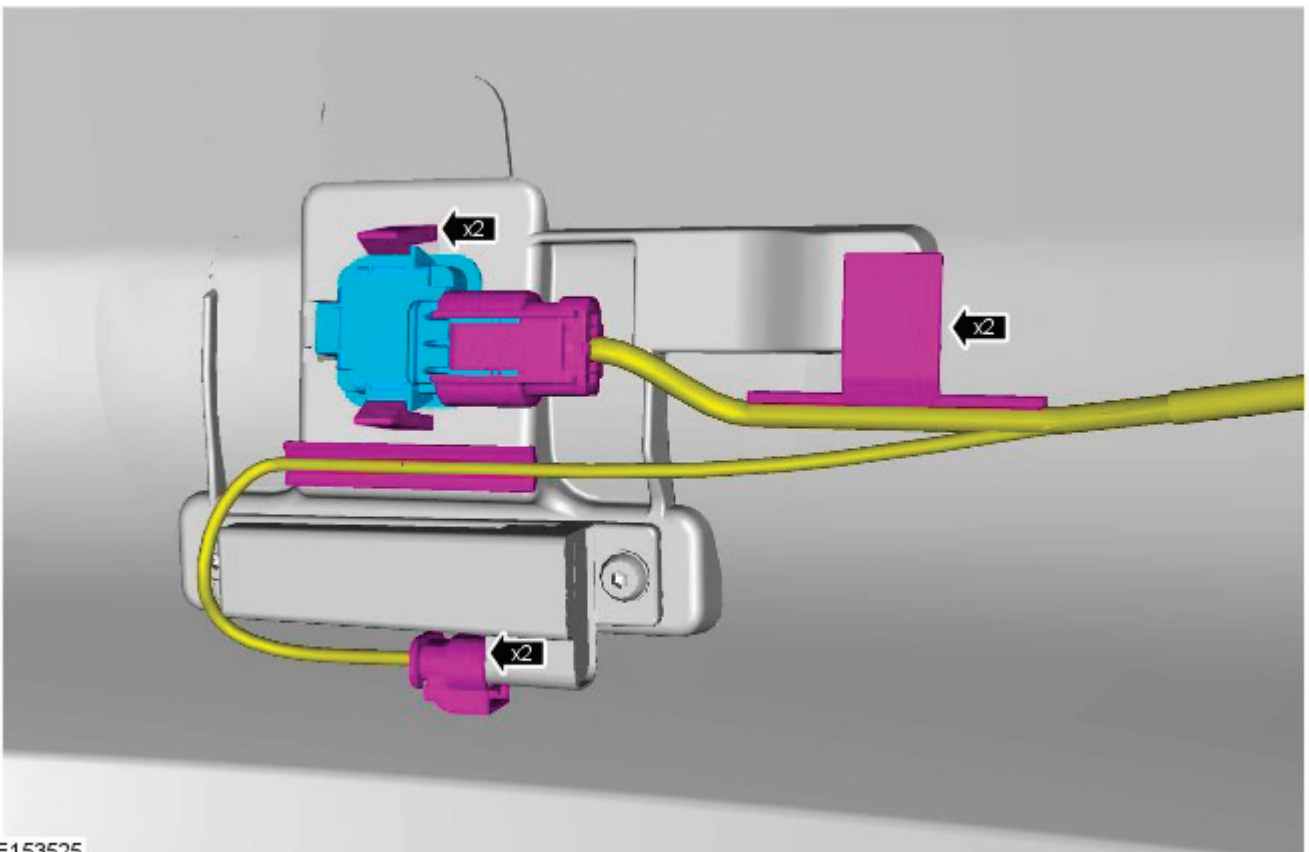
E153510

15.  NOTE: The step must be carried out on both sides.

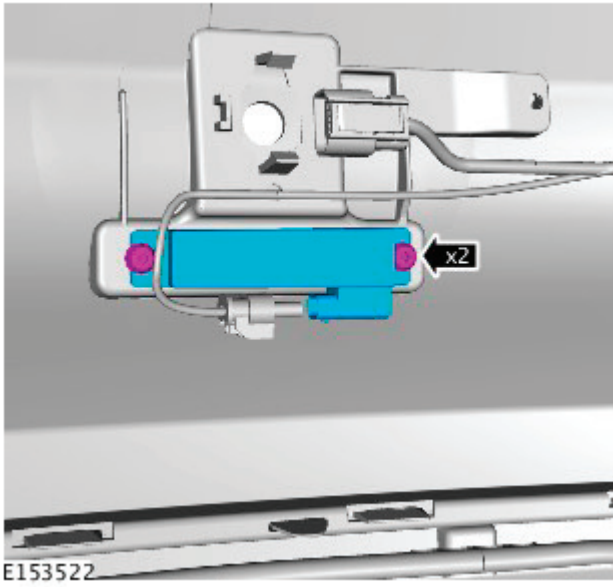


E153527

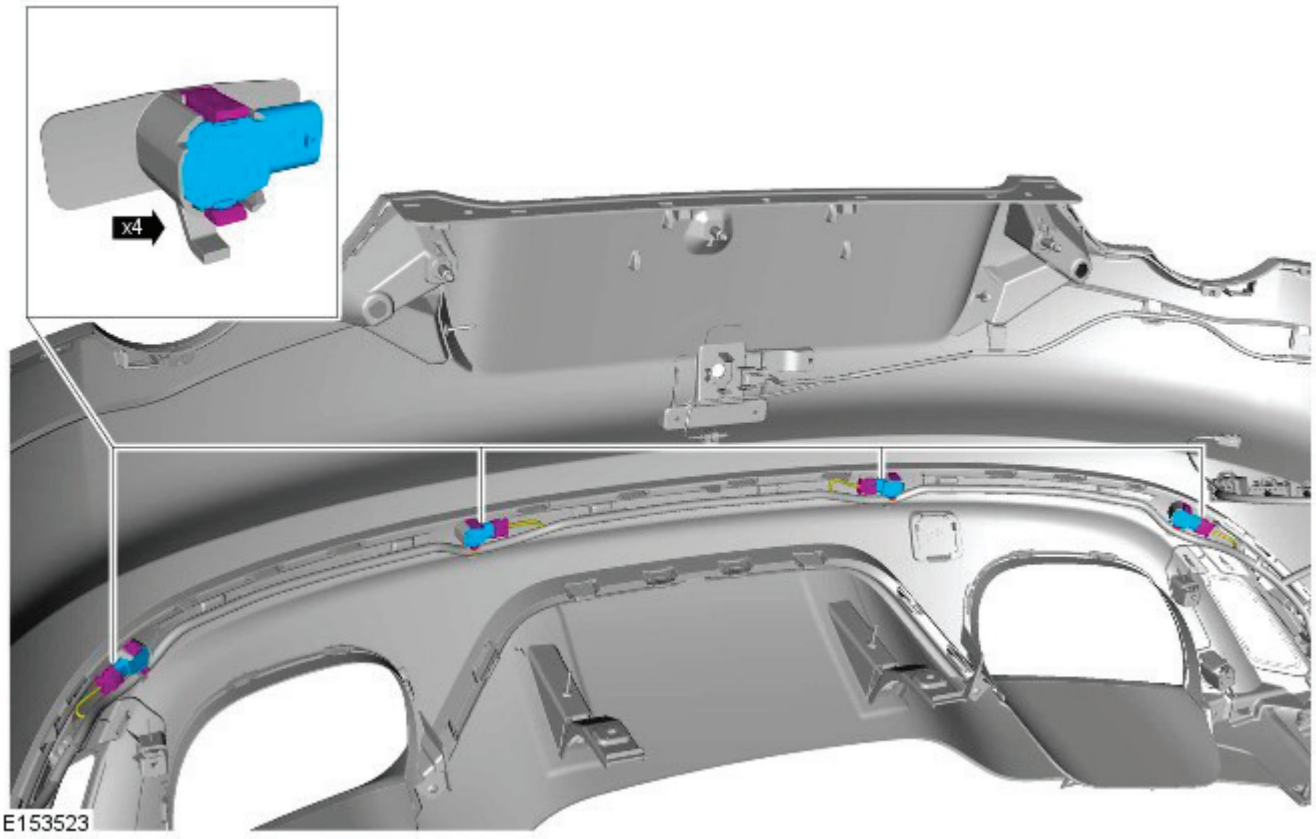
16.  NOTE: If equipped.



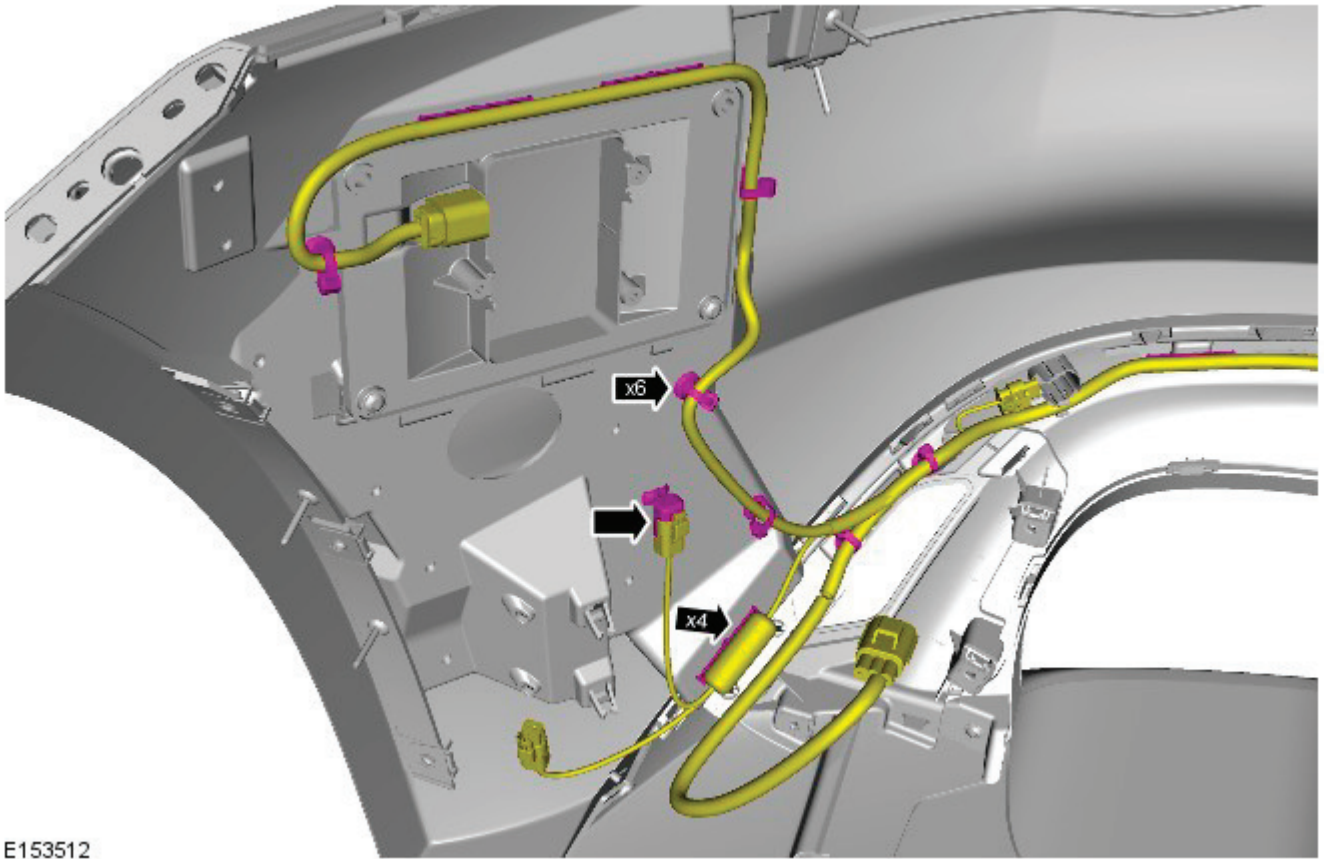
E153525



18.

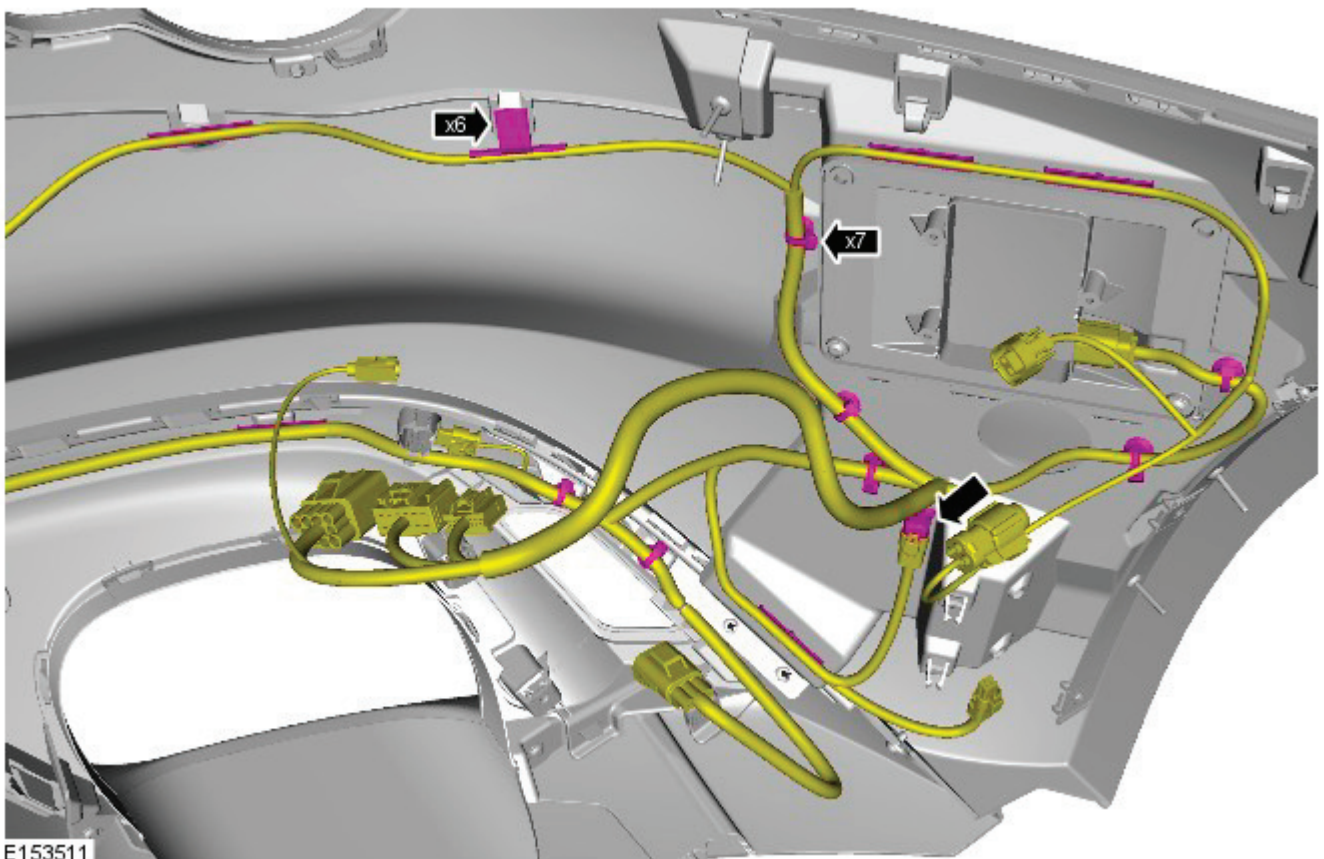


19.



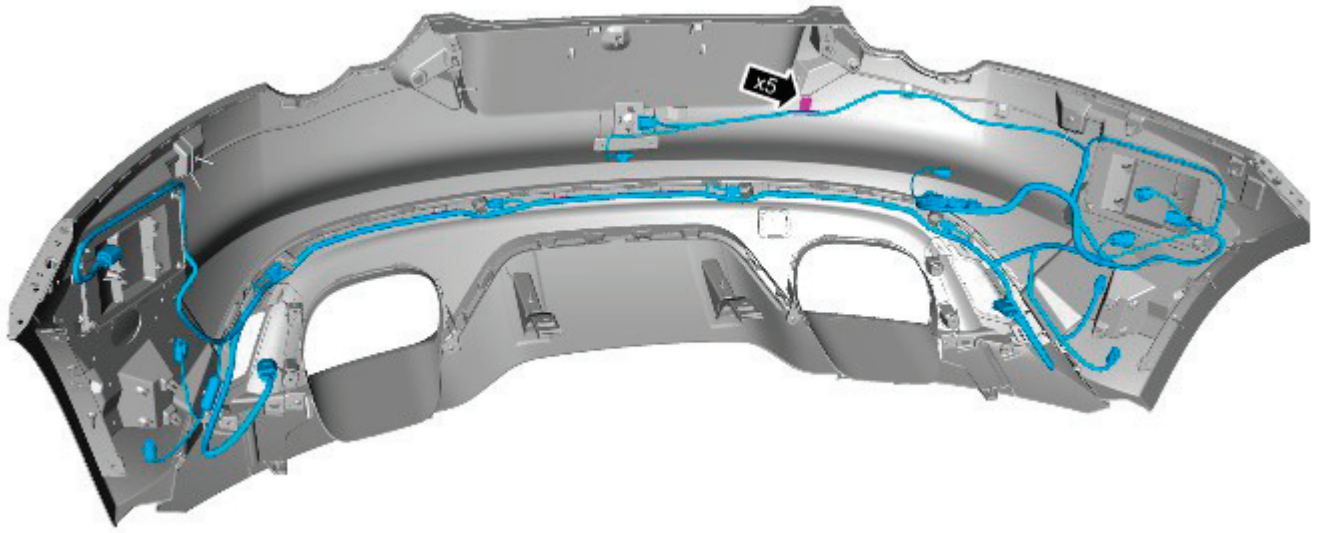
E153512

20.



E153511

21.



E153526

Installation

1. To install, reverse the removal procedure.