

Bumpers - Rear Bumper Cover Folding Top

Removal and Installation


Removal



CAUTION: Always protect paintwork and glass when removing exterior components.



NOTE: Removal steps in this procedure may contain installation details.

1.  **WARNING:** Make sure to support the vehicle with axle stands.

Raise and support the vehicle.

2.  **NOTE:** The procedure must be carried out on both sides.

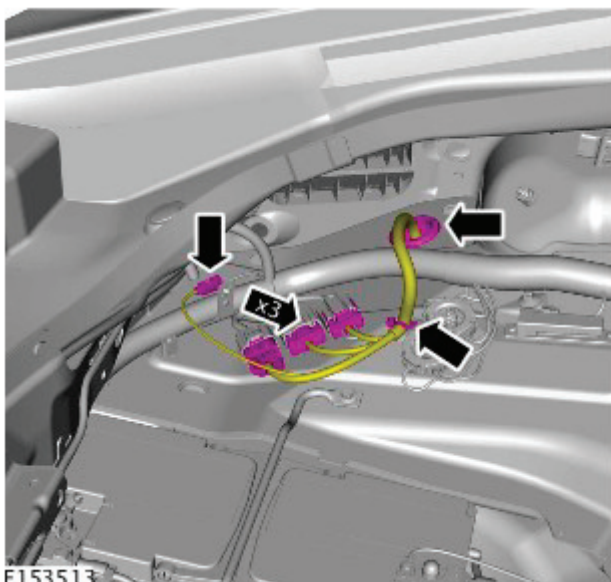
Refer to: [Wheel and Tire](#) (204-04 Wheels and Tires, Removal and Installation).

3.  **NOTE:** LH side only.

Refer to: [Loadspace Trim Panel - Folding Top](#) (501-05 Interior Trim and Ornamentation, Removal and Installation).

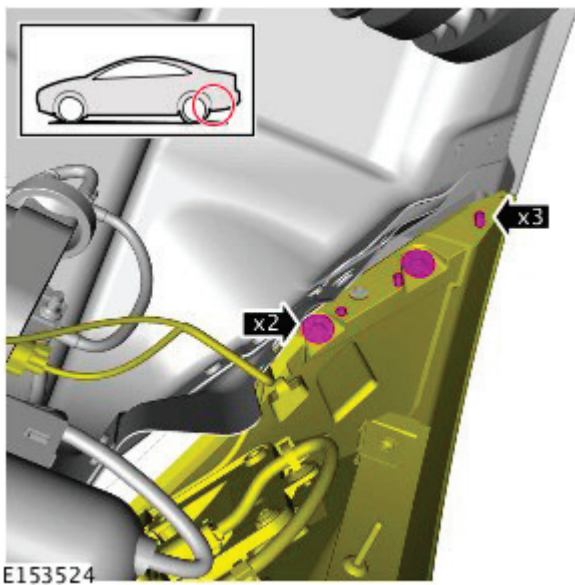
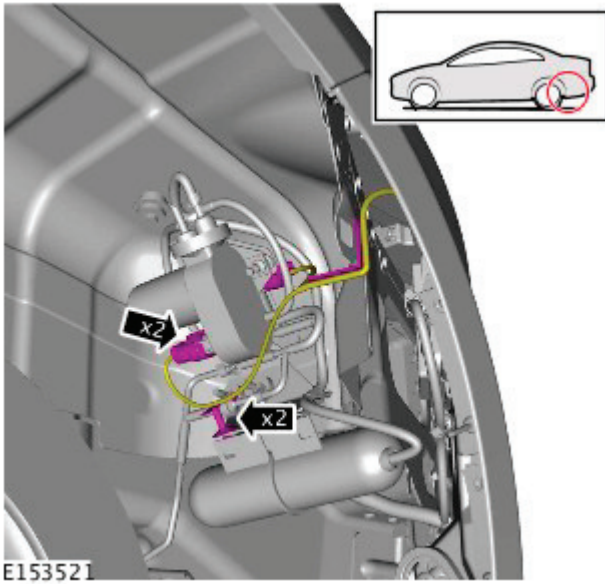
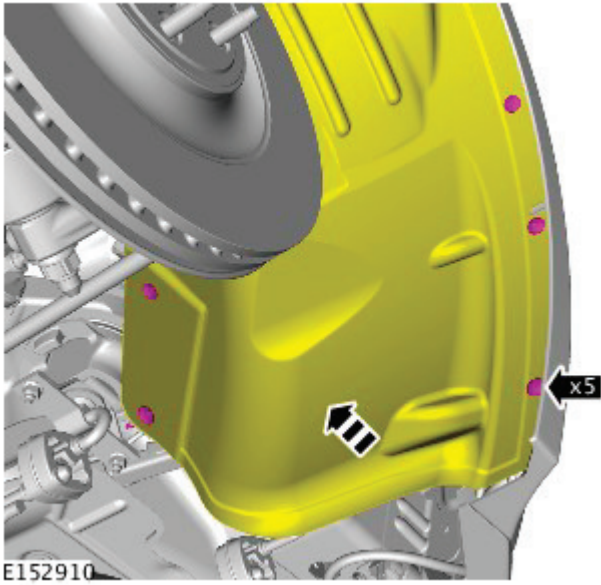
4. If equipped.

Refer to: [Rear Diffuser](#) (501-08, Removal and Installation).



- 5.


6.  **NOTE:** The step must be carried out on both sides.



7.

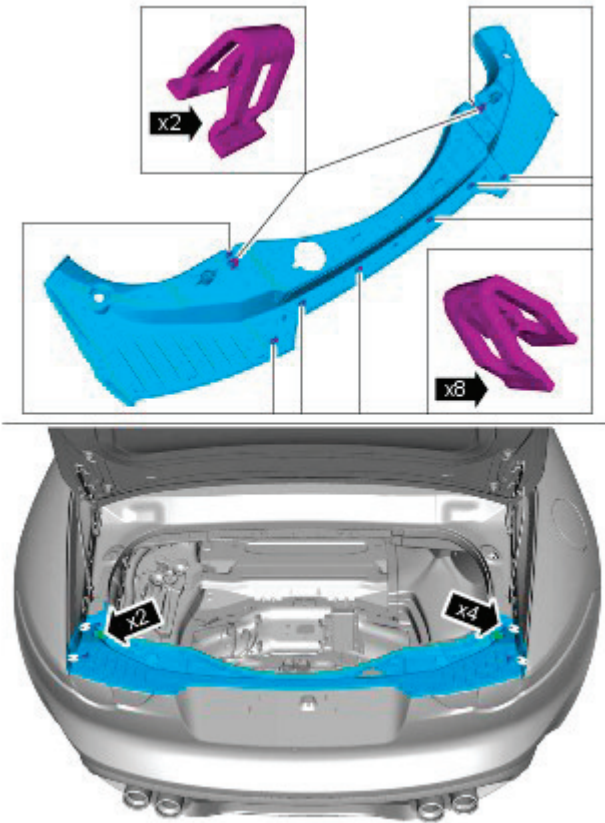
8. NOTES:

 The step must be carried out on both sides.

 Make sure that the component is installed to the noted removal position.

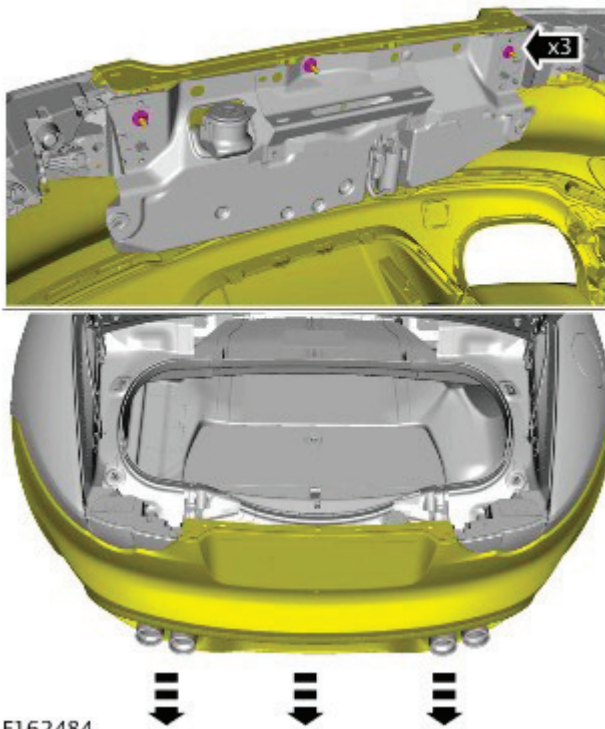
Torque: 4.1 Nm

9.



E153519

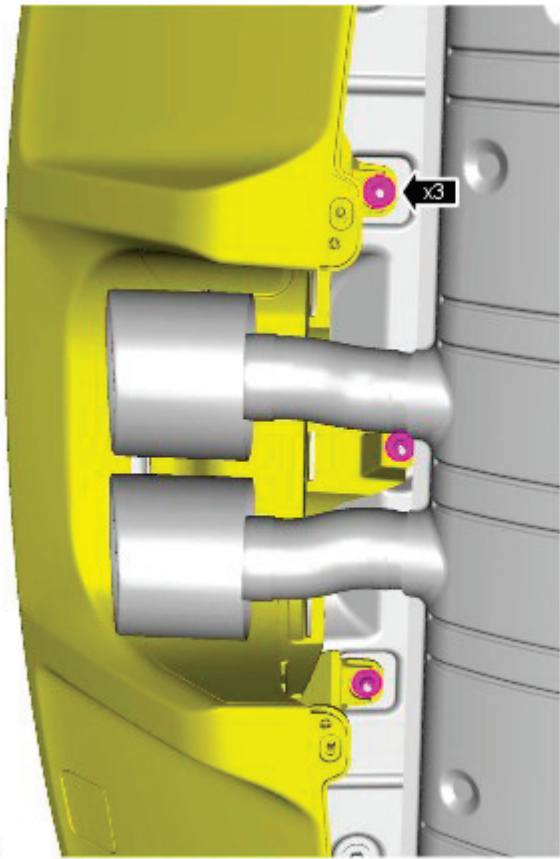
10. Torque: 4.1 Nm



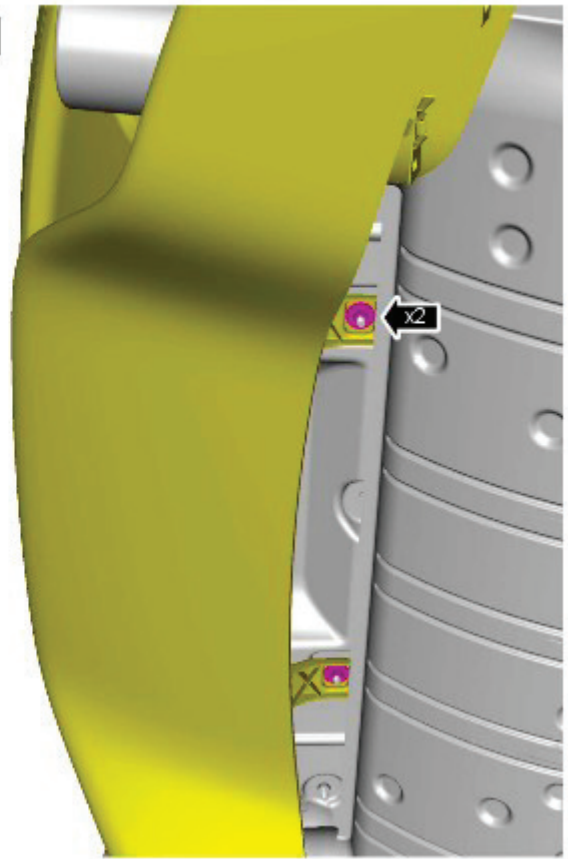
E162484

11. Torque: 4.1 Nm

V6

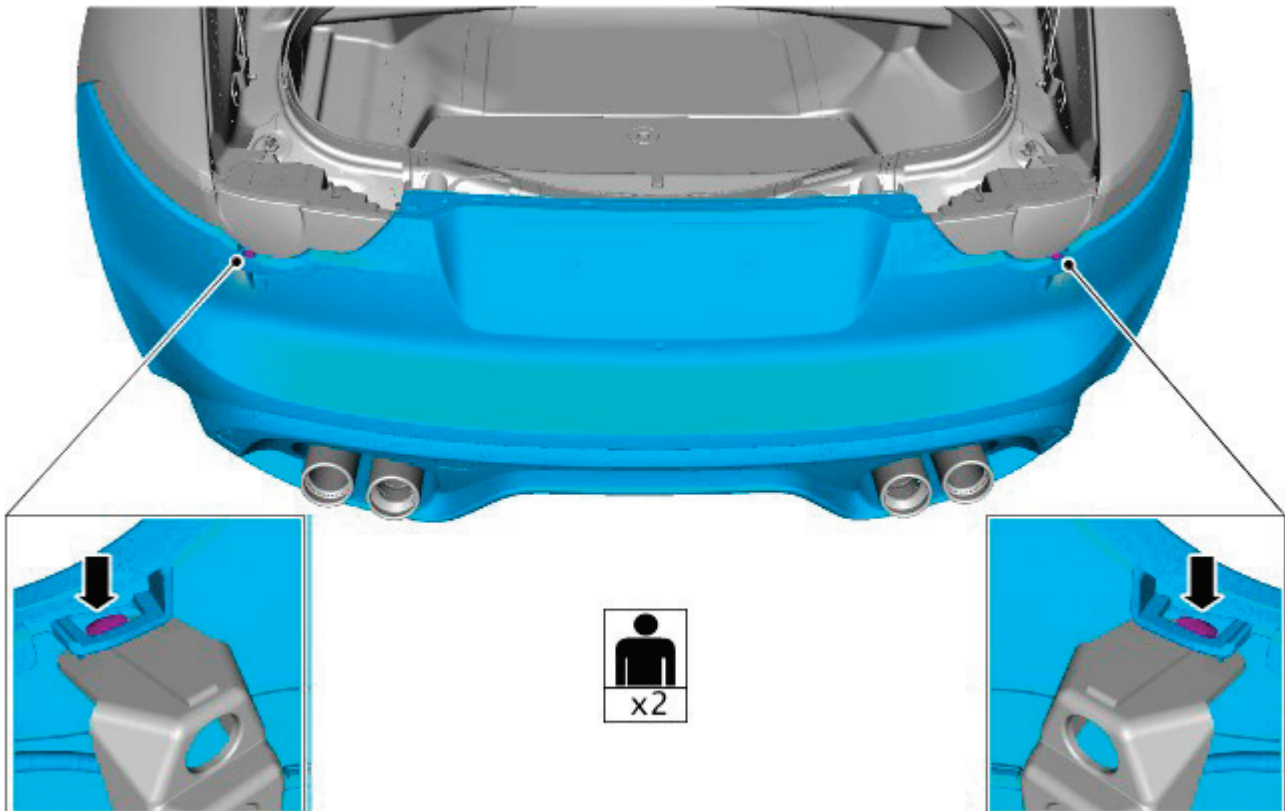


V8




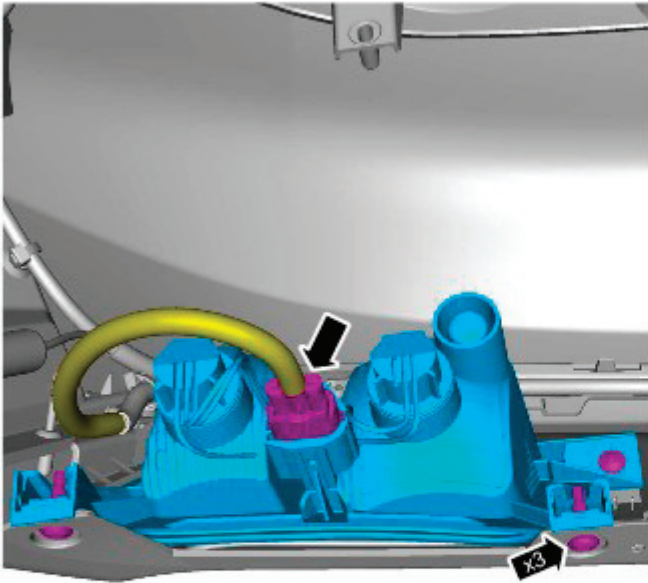
E153515

12.  NOTE: Do not disassemble further if the component is removed for access only.

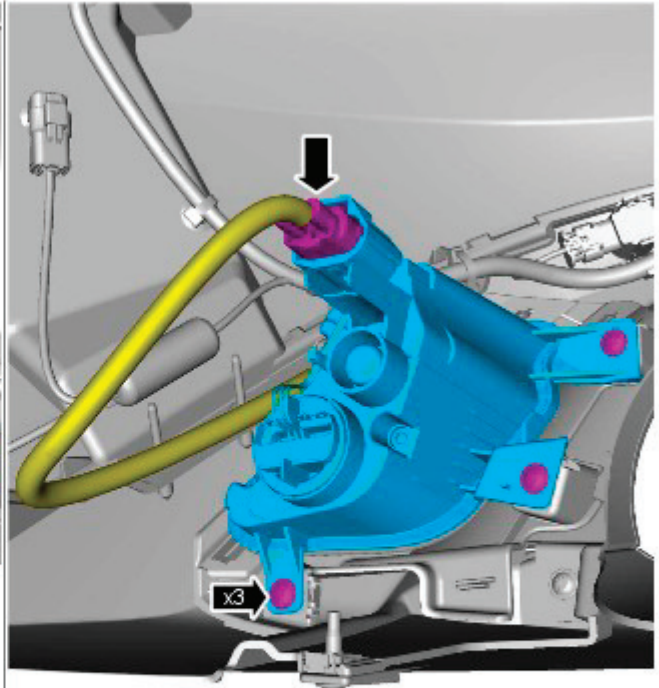


E162483

13.  NOTE: The step must be carried out on both sides.



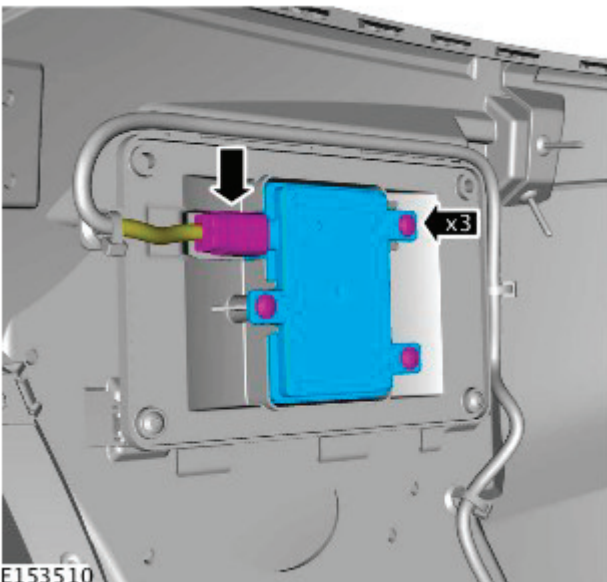
V6




V8

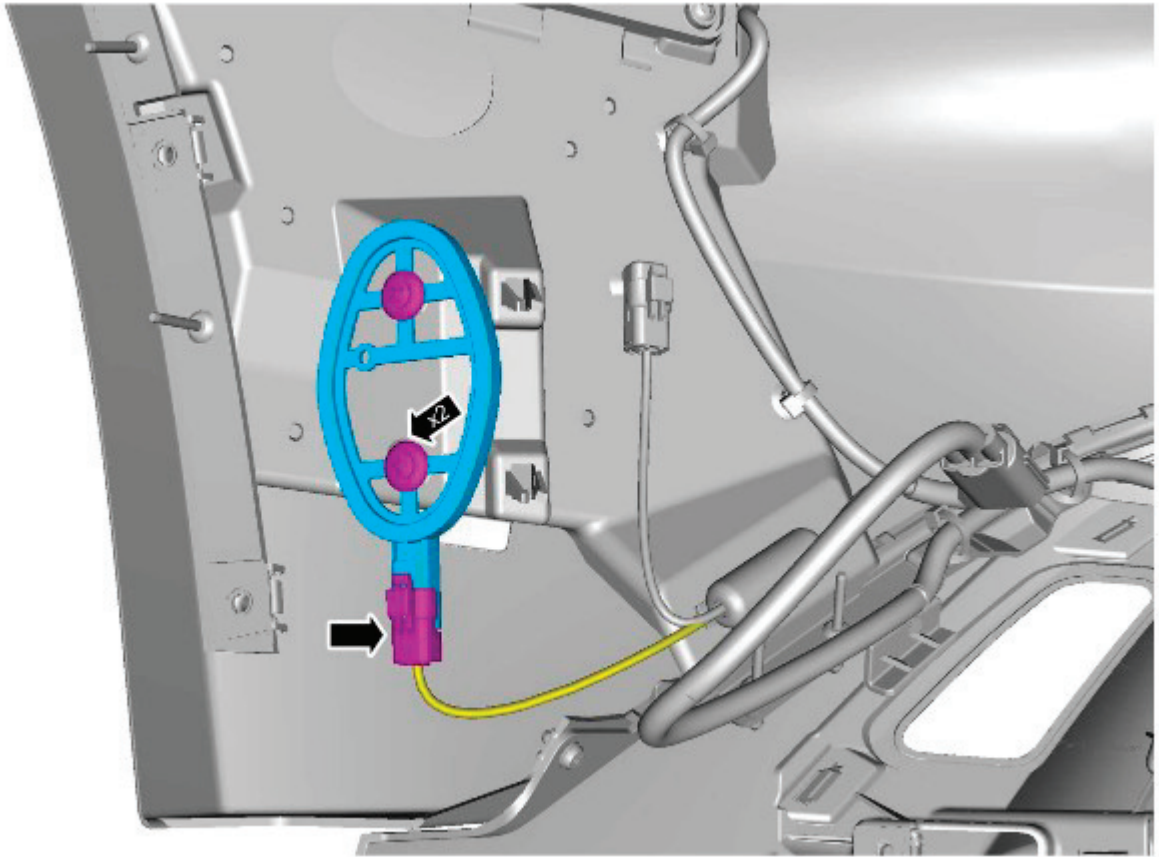
E153514

14.  NOTE: The step must be carried out on both sides.




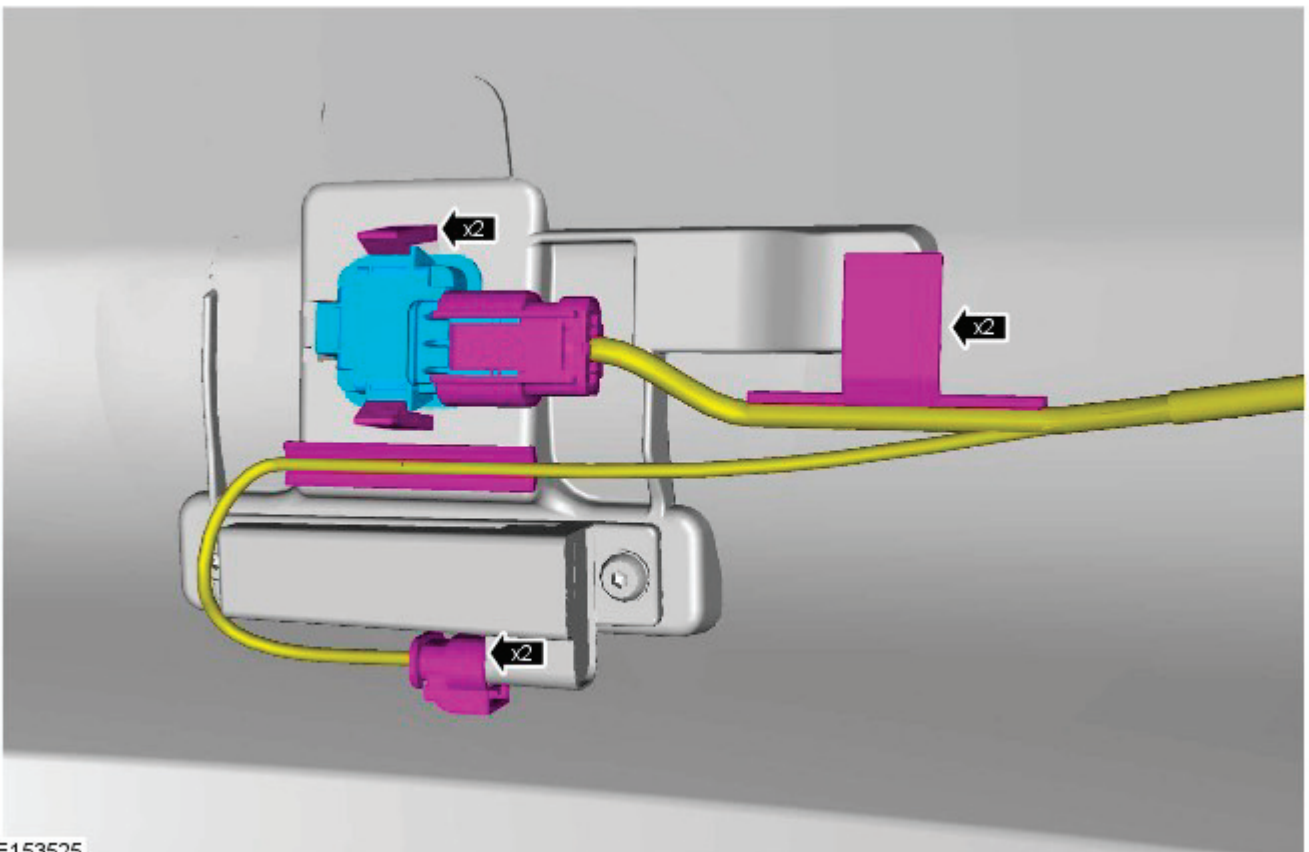
E153510

15.  NOTE: The step must be carried out on both sides.

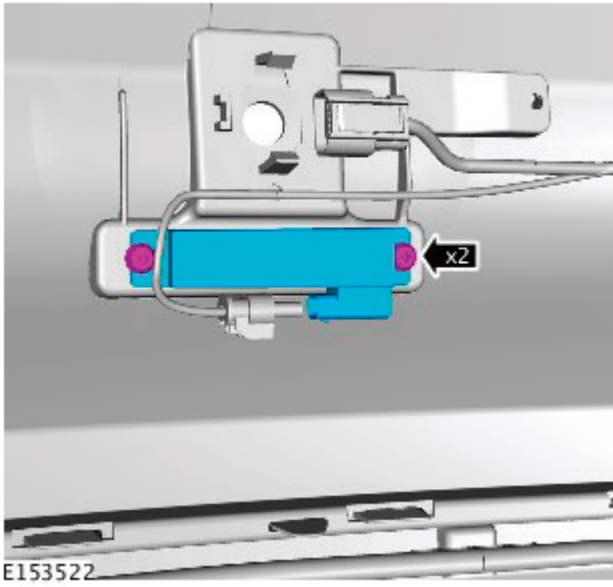


E153527

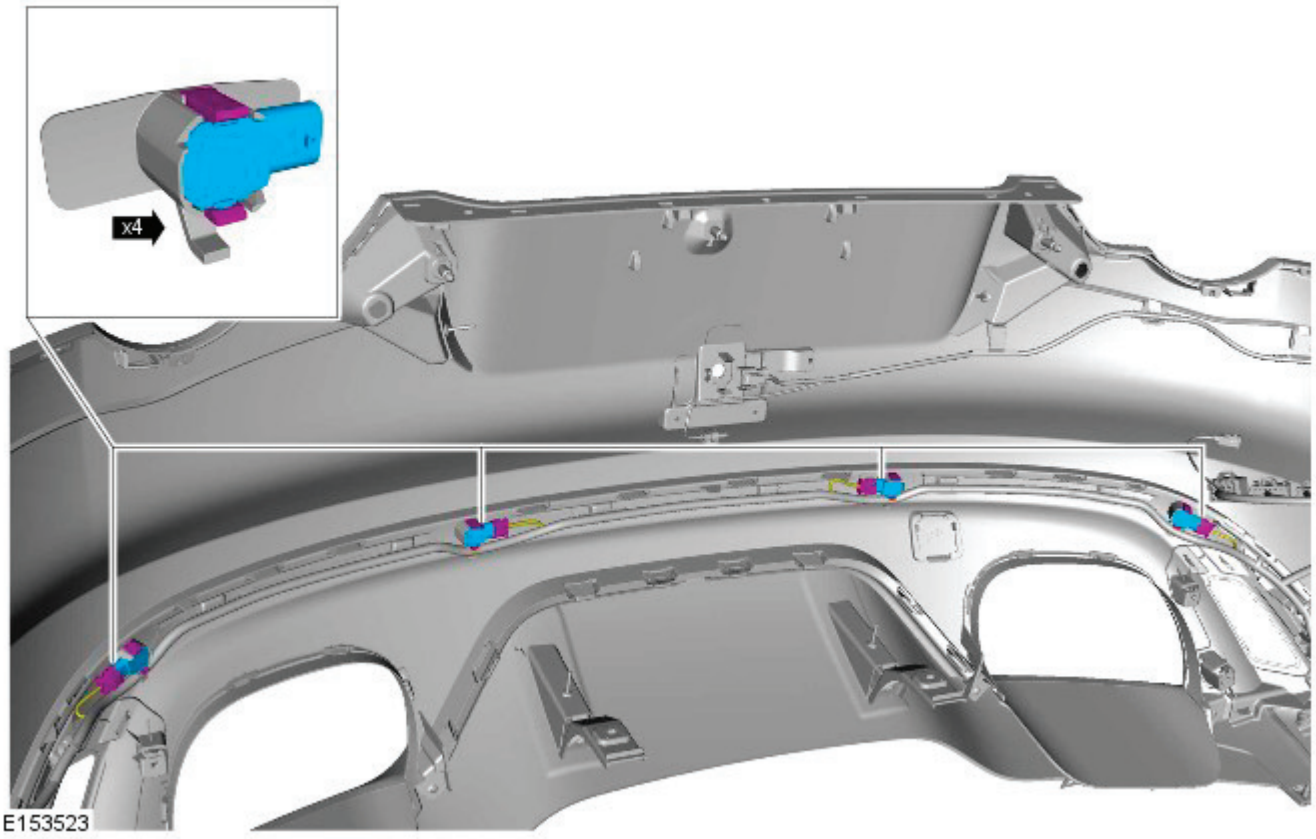
16.  NOTE: If equipped.



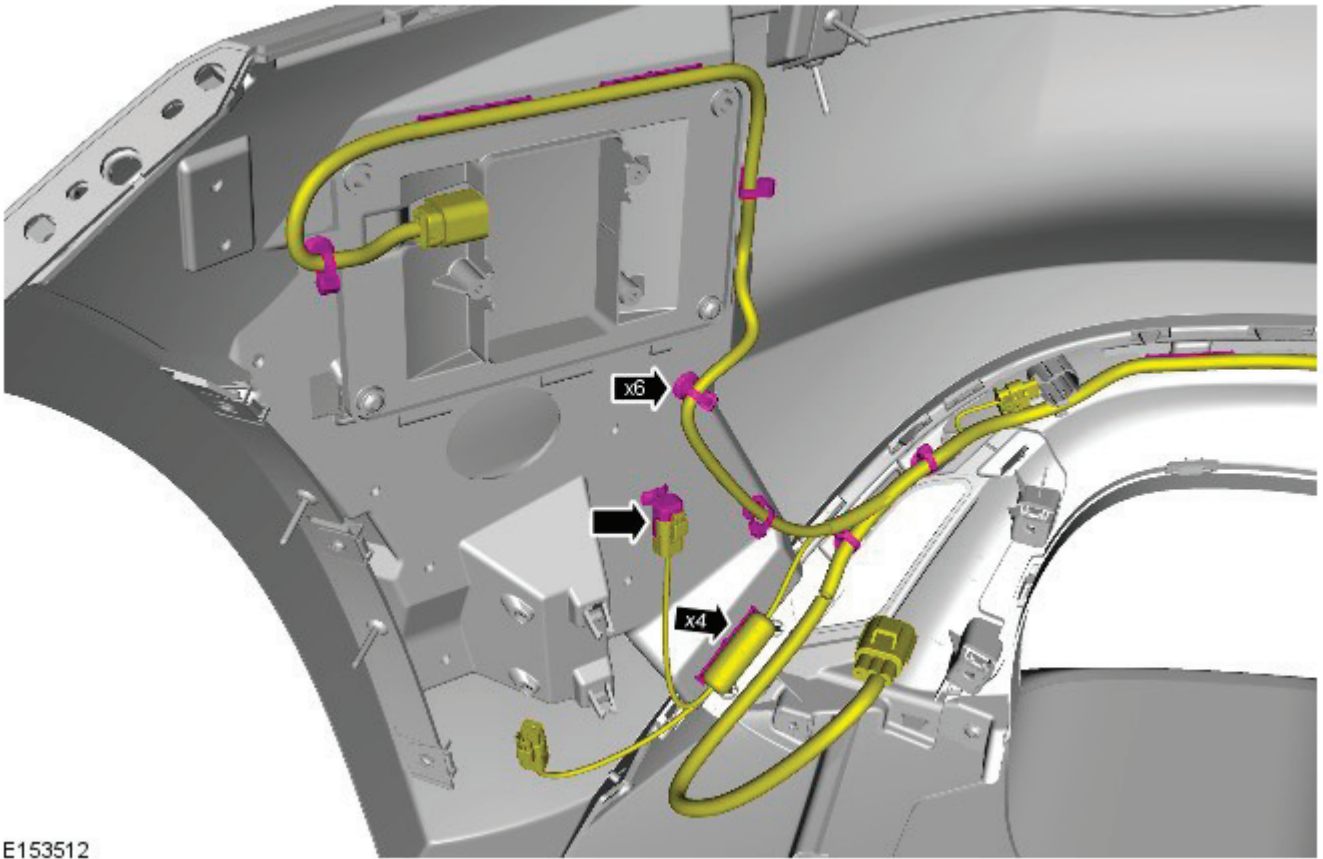
E153525



18.

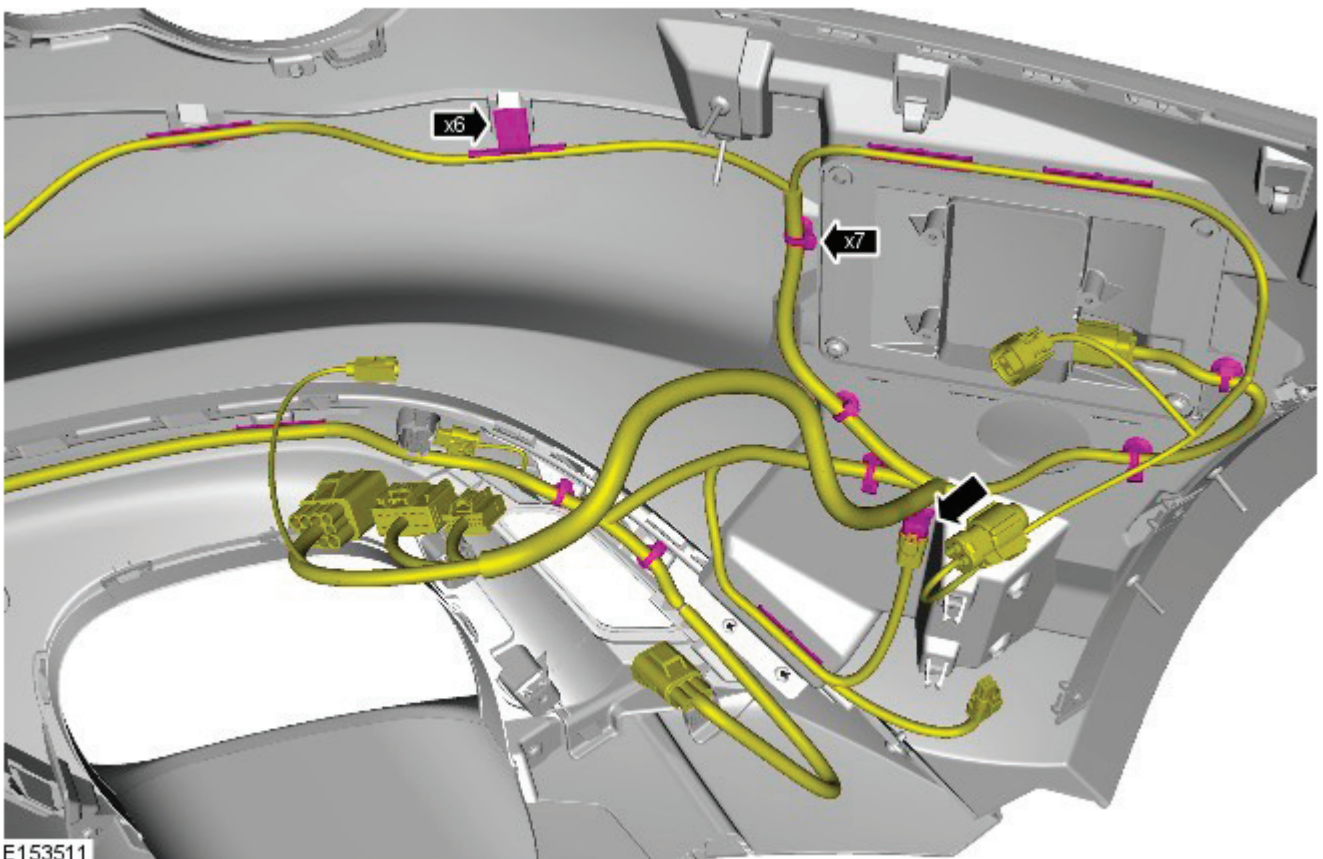


19.



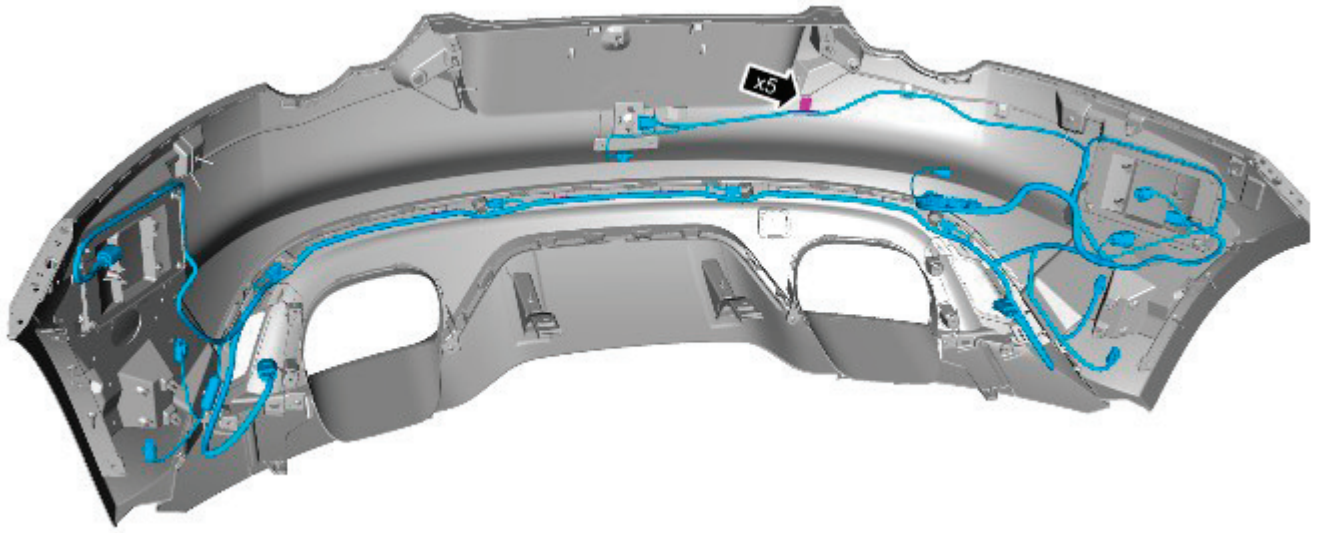
E153512

20.



E153511

21.



E153526

Installation

1. To install, reverse the removal procedure.