

Published: 17-Feb-2013

Front End Body Panels - Radiator Splash Shield

Removal and Installation

Removal

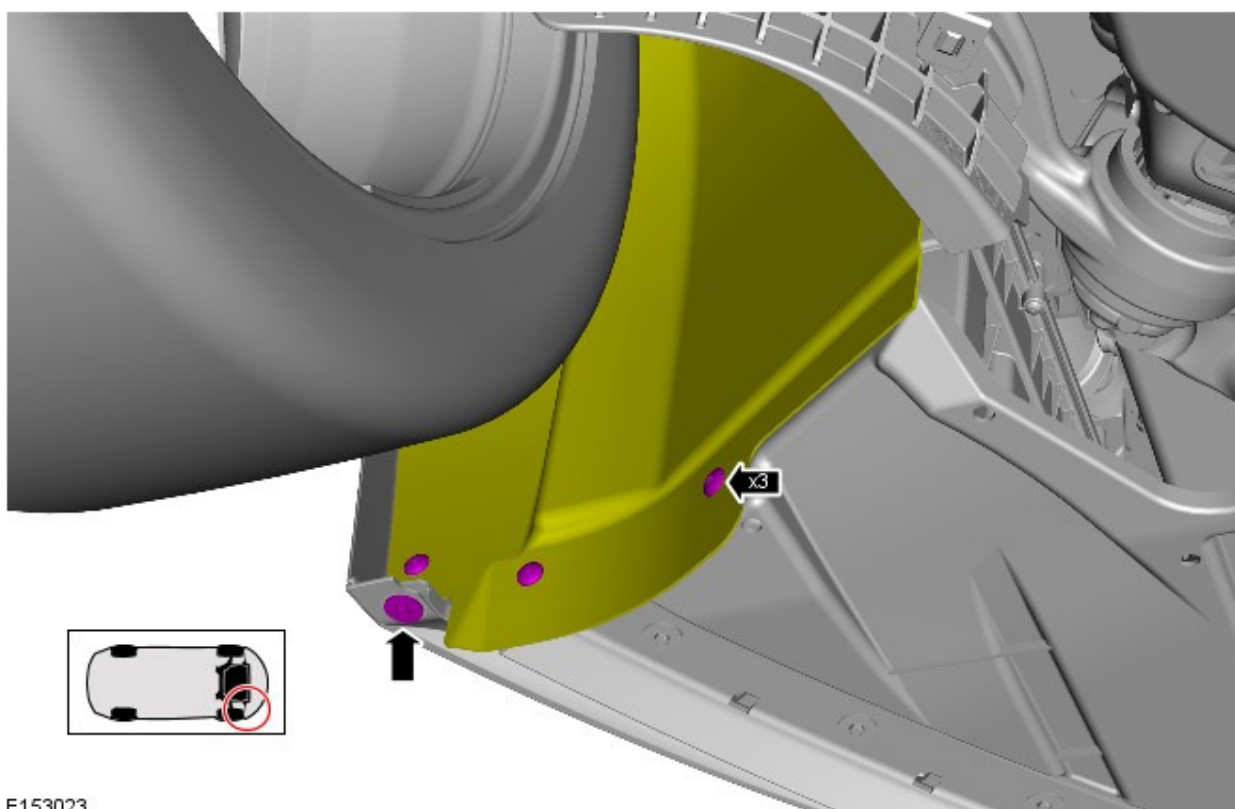


NOTE: Removal steps in this procedure may contain installation details.

1.  **WARNING:** Make sure to support the vehicle with axle stands.

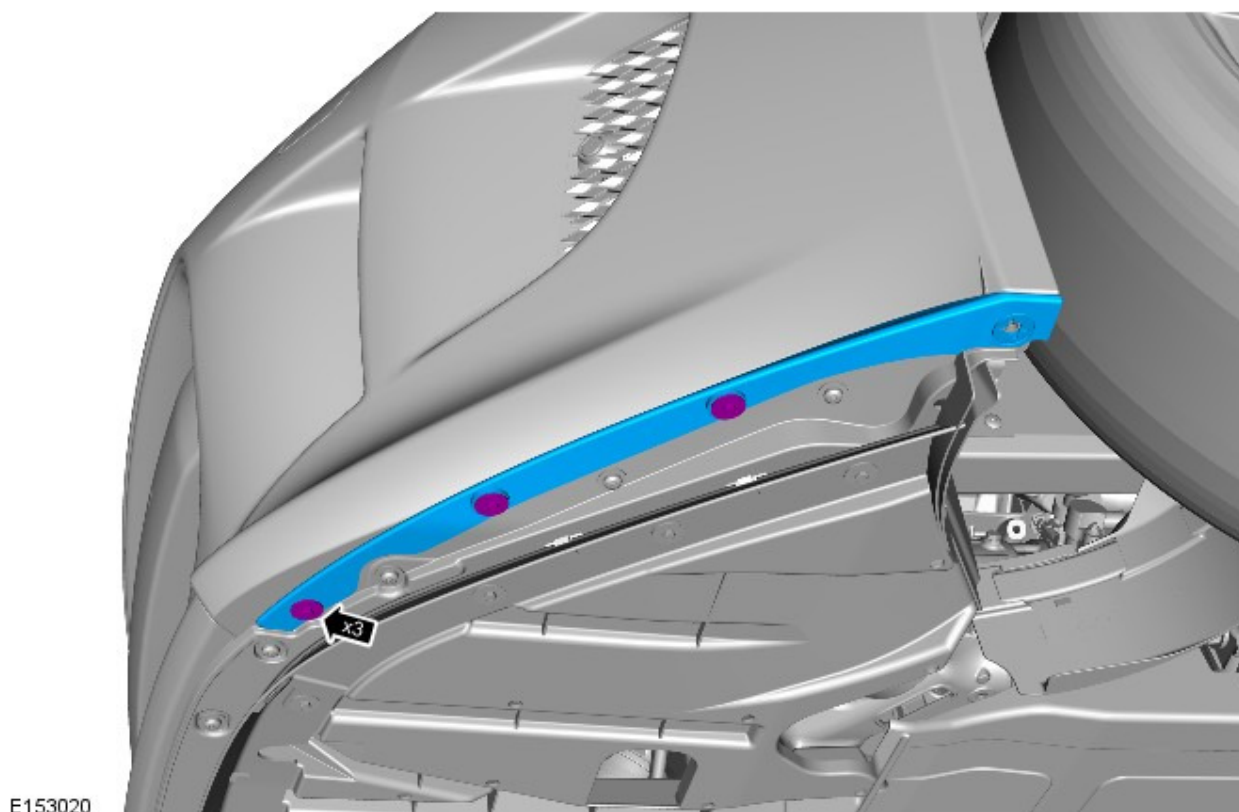
Raise and support the vehicle.

2.  NOTE: Repeat the procedure for the other side.



E153023

3.  NOTE: Repeat the procedure for the other side.



E153020

4.




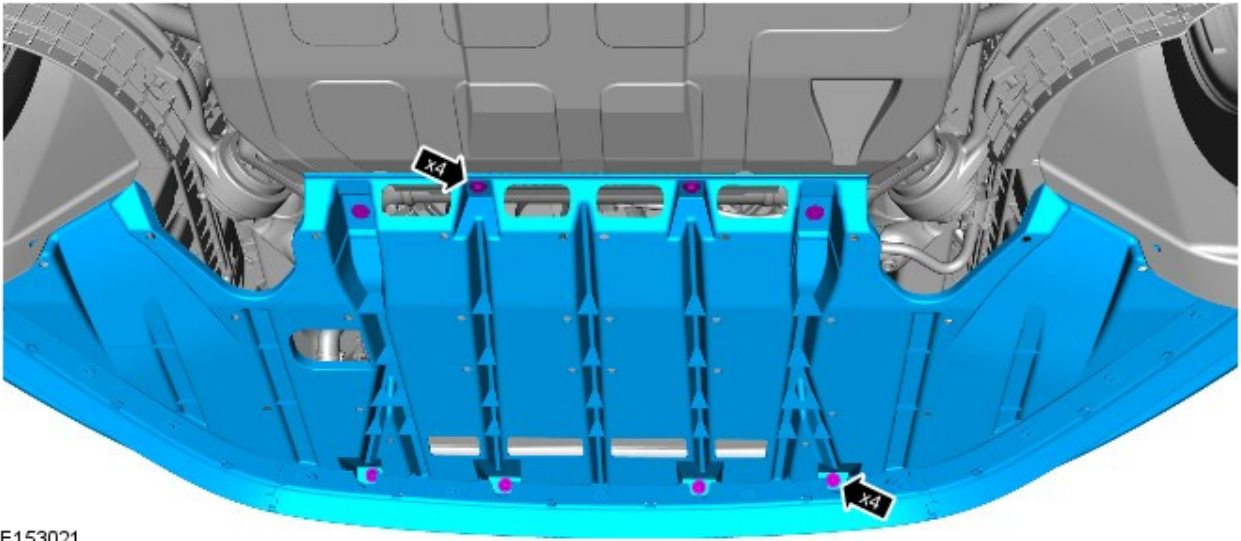
E153022

5. NOTES:



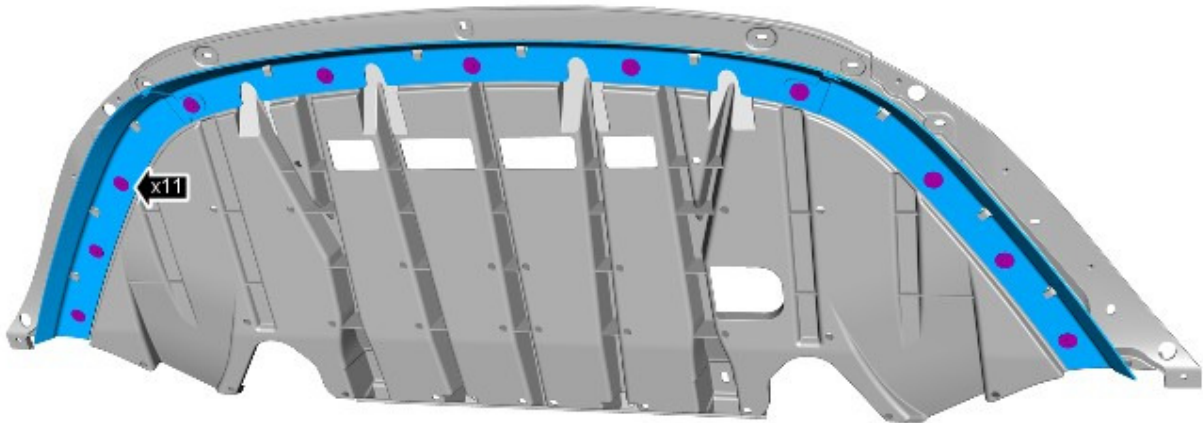
Note the fitted position of the washers.

 Do not disassemble further if the component is removed for access only.



E153021

6.



E153019

Installation

1. To install, reverse the removal procedure.