

Emergency Park Brake Release (EPBR)

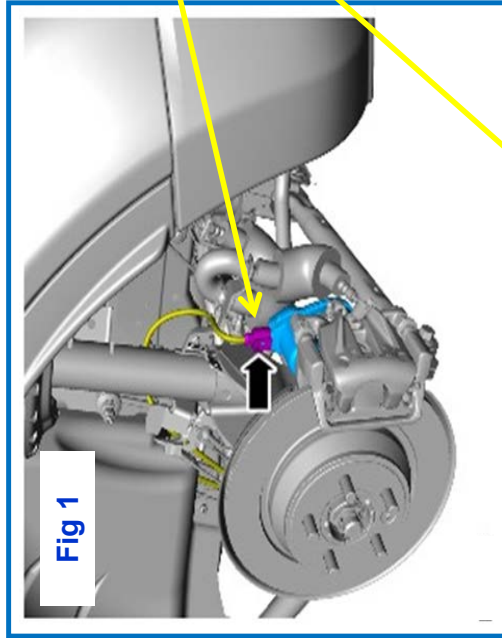


Fig 1

Disconnect the battery ground cable

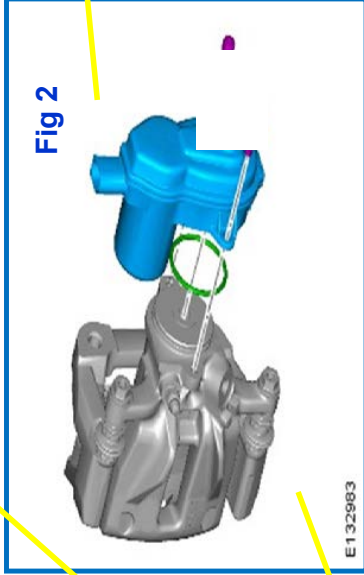
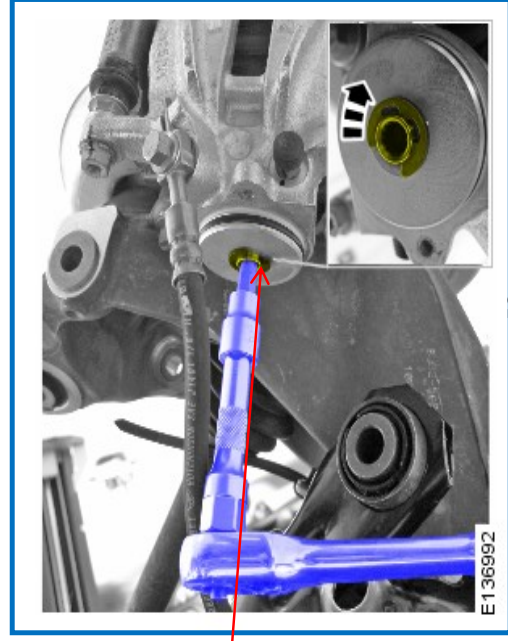
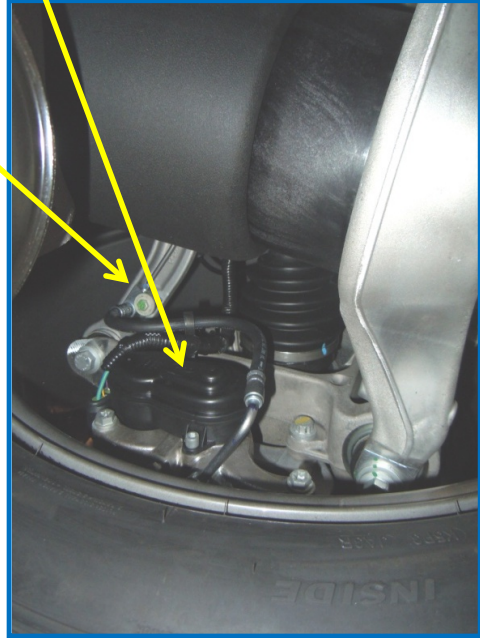


Fig 2



Manual release. This involves removing the electric motor / actuator (2 Torx T30 screws figs 1 & 2) and O-ring set, and winding back the piston manually, using an Allen key.

Rear Wheel