

QUAIFE
DESIGN AND DEVELOPMENT

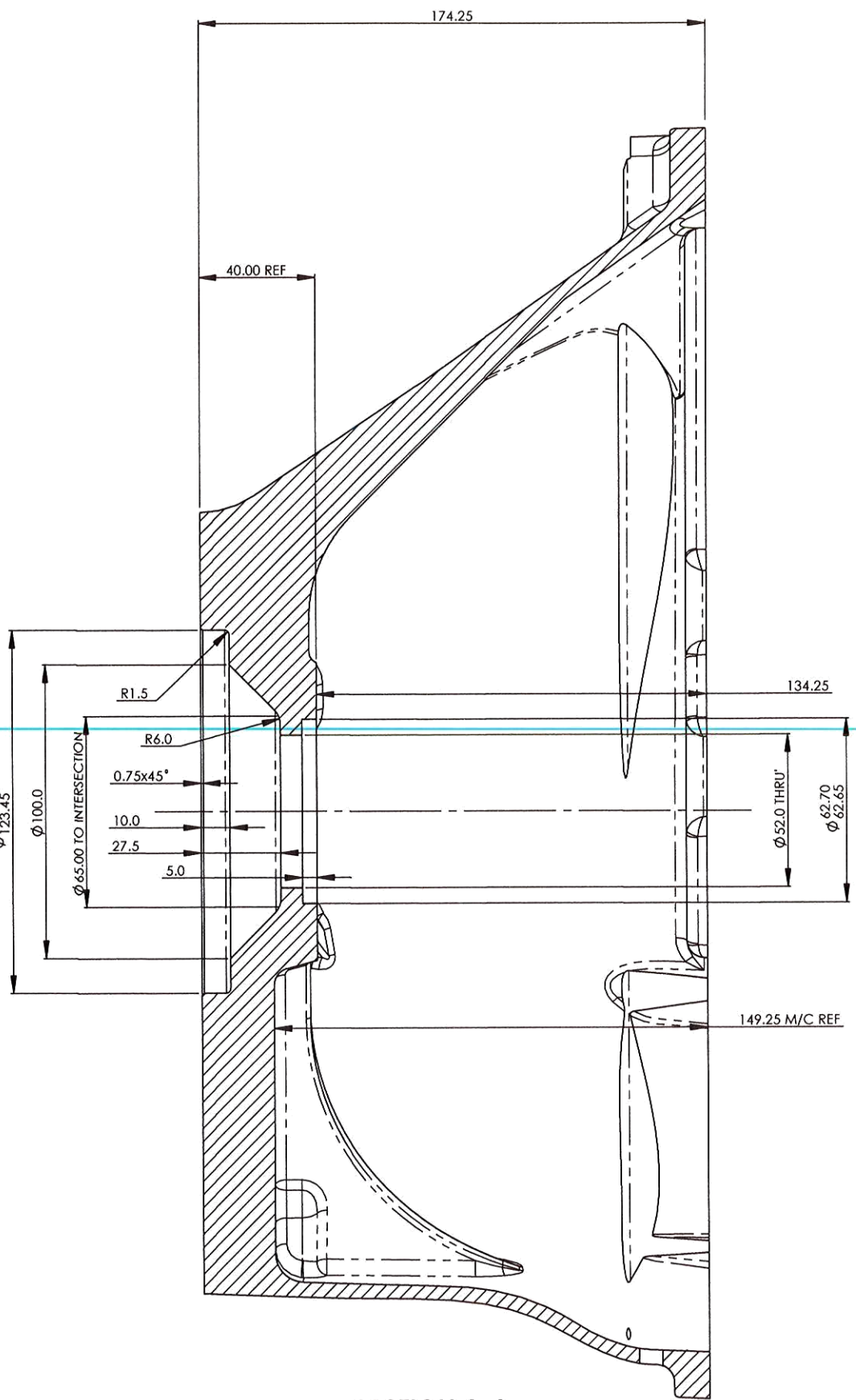
THIS DRAWING OF DESIGN IS STRICTLY CONFIDENTIAL AND THE COPYRIGHT THEREIN THE EXCLUSIVE PROPERTY OF P.I. QUAIFE ENGINEERING LTD. AND MAY NOT BE USED, COPIED OR EXHIBITED WITHOUT THEIR WRITTEN PERMISSION

UNLESS OTHERWISE STATED:	TOLERANCES
ALL DIMENSIONS IN MILLIMETERS	DIMENSIONS: 0 PLACES: ±0.25
GENERAL SURFACE FINISH: $\sqrt{10}$	1 PLACE: ±0.2
SHEET 3 OF 3	2 PLACES: ±0.1
SCALE: 1:1 U.O.S.	ANGLES: ±0.25°

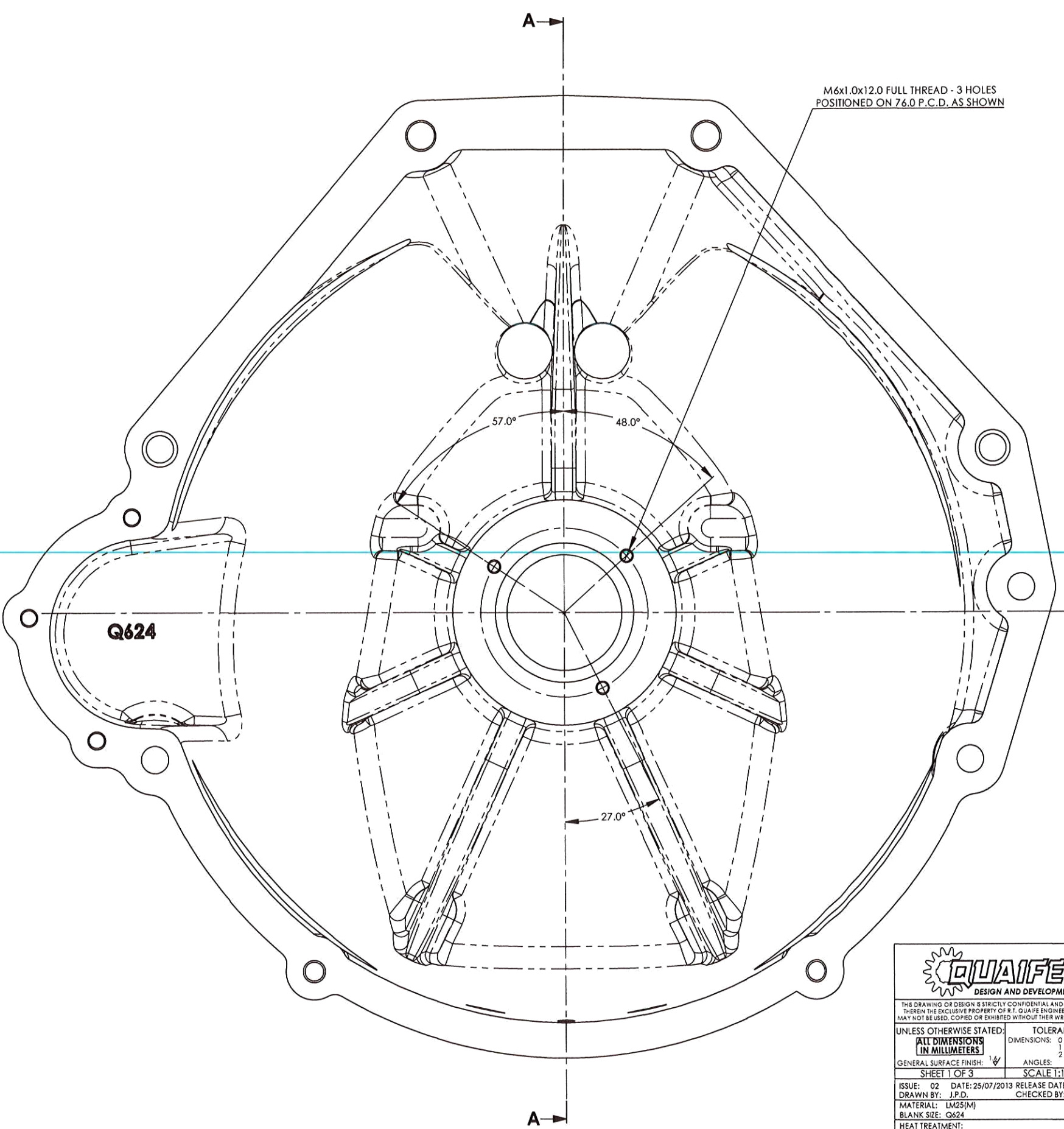
ISSUE: 02 DATE: 25/07/2013 RELEASE DATE: 03/06/2015
 DRAWN BY: J.P.D. CHECKED BY: J.P.
 MATERIAL: LM25(M)
 BLANK SIZE: Q624
 HEAT TREATMENT:

FINISH:

DESCRIPTION:
 BELLHOUSING, FORD COYOTE 5L V8 MUSTANG GT
 PART No.: E-69G1-231



SECTION A-A



M6x1.0x12.0 FULL THREAD - 3 HOLES
POSITIONED ON 76.0 P.C.D. AS SHOWN

Q624

QUAIFE
DESIGN AND DEVELOPMENT

THIS DRAWING OR DESIGN IS STRICTLY CONFIDENTIAL AND THE COPYRIGHT THEREIN THE EXCLUSIVE PROPERTY OF R.I. QUAIFE ENGINEERING LTD. AND MAY NOT BE USED, COPIED OR EXHIBITED WITHOUT THEIR WRITTEN PERMISSION.

UNLESS OTHERWISE STATED: ALL DIMENSIONS IN MILLIMETERS	TOLERANCES DIMENSIONS: 0 PLACES: ±0.25 1 PLACE: ±0.2 2 PLACES: ±0.15
GENERAL SURFACE FINISH: 1	ANGLES: ±0.25°
SHEET 1 OF 3	SCALE 1:1 U.O.S.
ISSUE: 02 DATE: 25/07/2013 RELEASE DATE: 03/06/2015	CHECKED BY: J.P.
DRAWN BY: J.P.D.	
MATERIAL: LM25(M)	
BLANK SIZE: Q624	
HEAT TREATMENT:	
FINISH:	
DESCRIPTION: BELLHOUSING, FORD COYOTE SL V8 MUSTANG GT	
PART No.: E-69G1-231	

USED IN: QUAIFE EXTRA HD INLINE 6 SPEED SEQUENTIAL