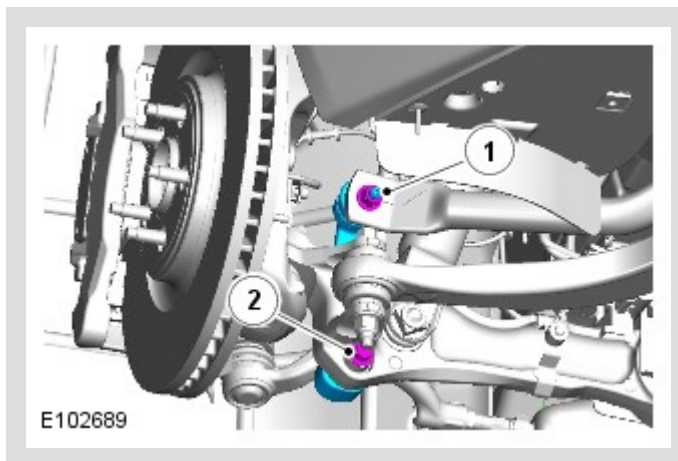


2. Refer to: [Wheel and Tire](#) (204-04 Wheels and Tires, Removal and Installation).

- 3.

 **NOTE:**

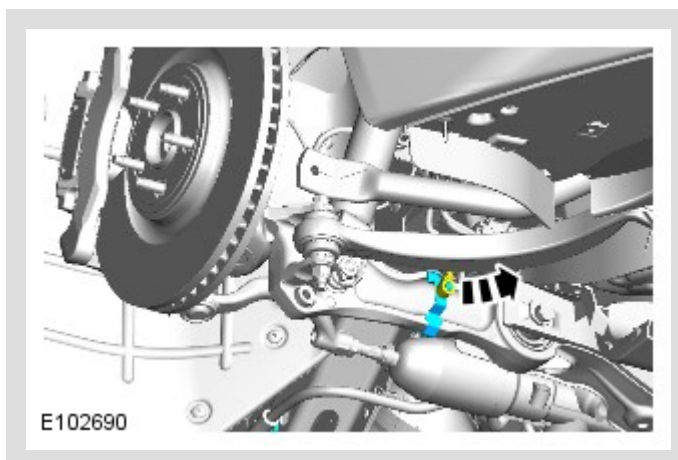
Use an additional wrench to prevent the ball joint rotating.



1  
*Torque:* **43 Nm**

2  
*Torque:* **70 Nm**

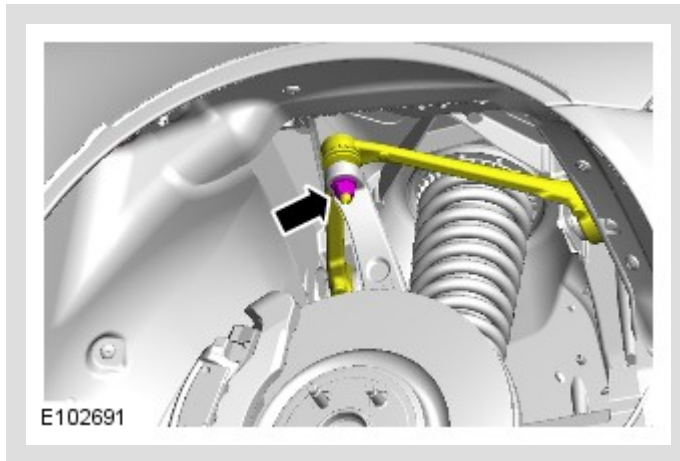
- 4.



- 5.

 **CAUTION:**

Discard the nut.

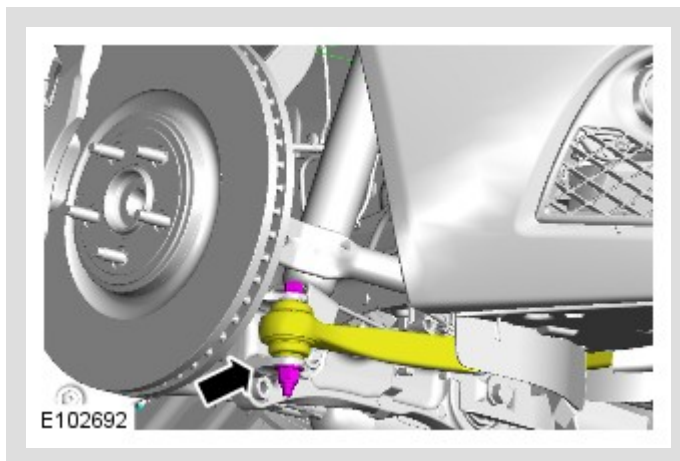


*Torque:* **90 Nm**

6.

⚠ **CAUTIONS:**

- Discard the bolt.
- Discard the nut.

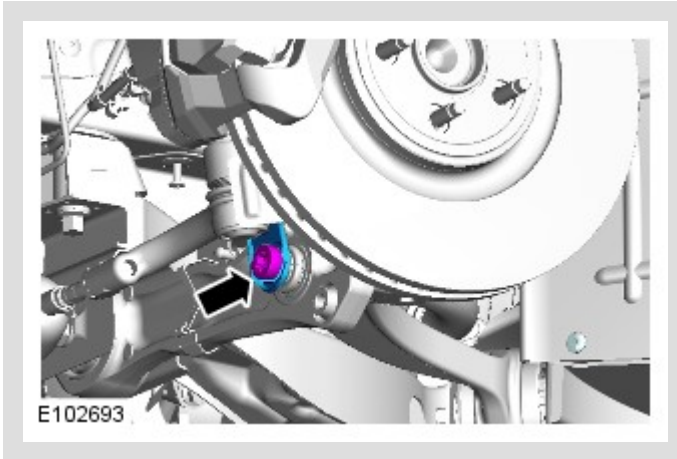


*Torque:*

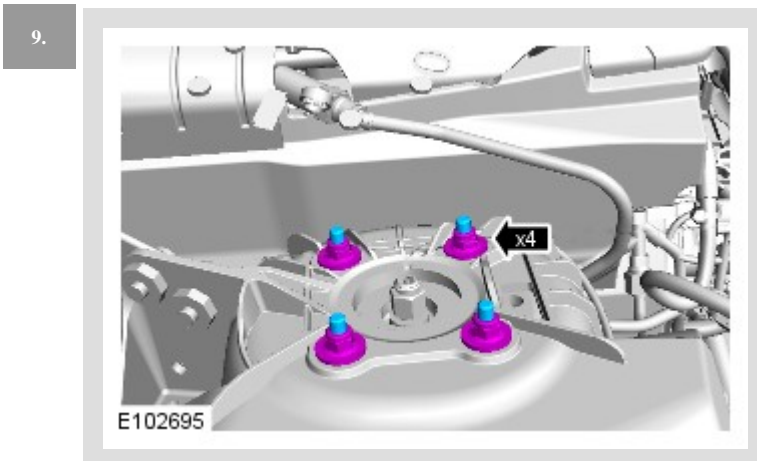
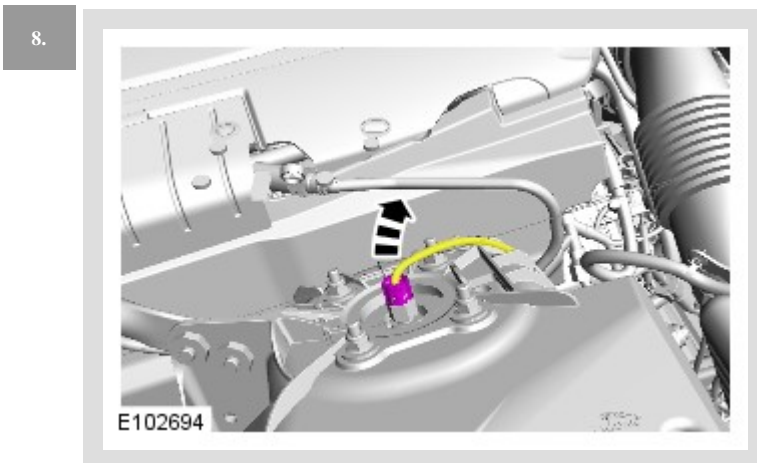
Stage 1: **60 Nm**

Stage 2: **135°**

7.



*Torque: 175 Nm*



*Torque: 30 Nm*