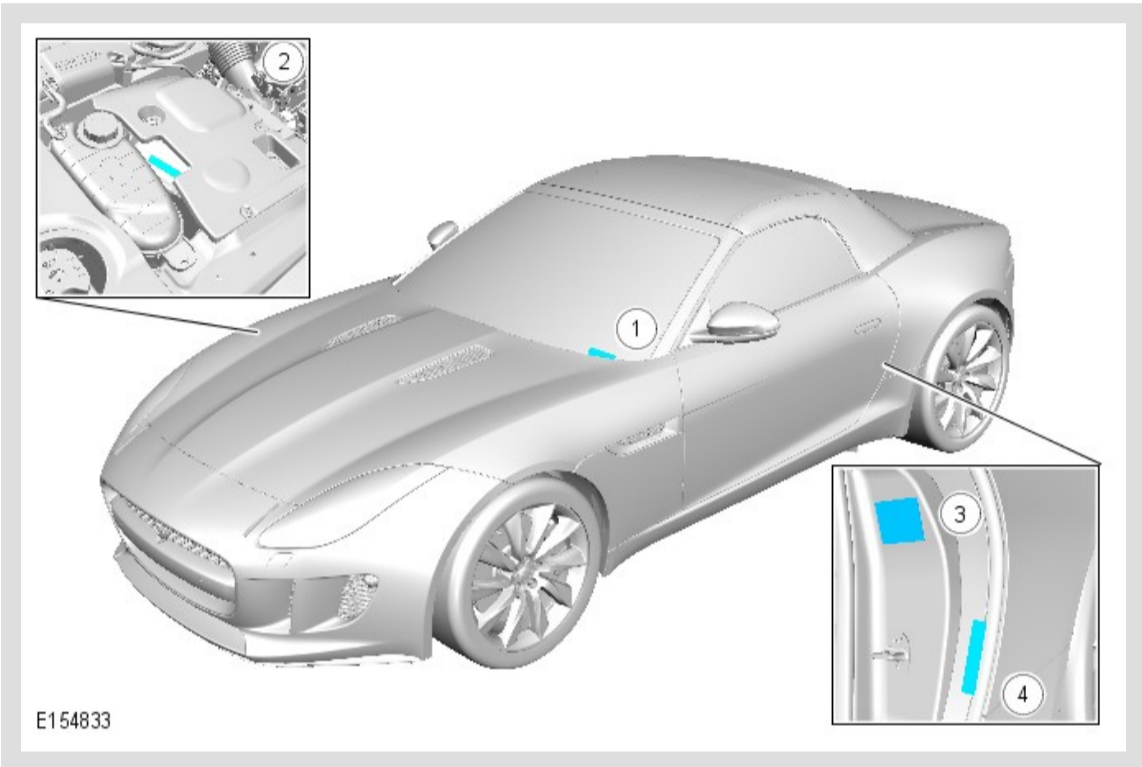


DESCRIPTION AND OPERATION

VEHICLE IDENTIFICATION NUMBER (VIN)

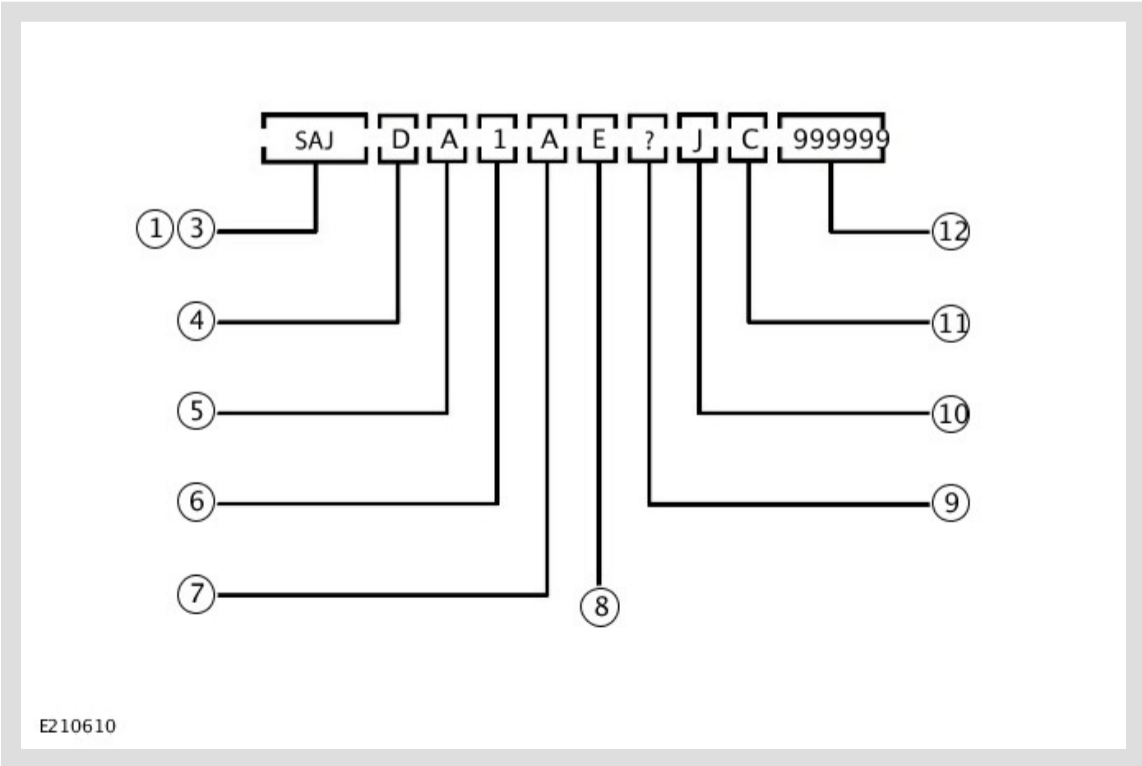
The official vehicle identification number (VIN) for title and registration purposes is stamped on a metal plate and fastened to the right suspension turret (2).

The VIN is also located on the vehicle certification label.



ITEM	DESCRIPTION
1	VIN plate
2	VIN code (stamped)
3	VIN label (Europe/Rest of World shown)
4	Bar code label (USA))

VEHICLE IDENTIFICATION NUMBER (TYPICAL)



ITEM	DESCRIPTION
1 - 3	World Manufacturer Identifier
4	Make and Model

5	Class
6	Body Type
7	Transmission and Steering
8	Engine
9	Check Digit
10	Model Year
11	Assembly Plant
12 - 17	Serial Number

WORLD MANUFACTURER IDENTIFIER

VIN Positions 1 - 3

CODES	MANUFACTURER	MAKE	TYPE
SAJ	Jaguar Land Rover Limited, England	Jaguar	Passenger car

MAKE AND MODEL

VIN position 4

VIN CODE	DESCRIPTION
D	Jaguar F-Type (X152)

CLASS

VIN Position 5

VIN CODE	DESCRIPTION
A	AWD (All markets except NAS (USA & Canada))
B	RWD (All markets except NAS (USA & Canada))
D	Standard (SP0) RWD
F	(R-Dynamic (RD0) RWD) - (400 Sport (LE7) RWD)
K	Standard (SP0) AWD
8	(R-Dynamic (RD0) AWD) - (400 Sport (LE7) AWD)
5	R (SR1) AWD
Z	SVR (VR1) AWD

BODY TYPE

VIN Position 6

VIN CODE	DESCRIPTION
1	3 Door Coupe
5	Convertible

TRANSMISSION AND STEERING

VIN Position 7

VIN CODE	DESCRIPTION
A	RHD Automatic (All markets except NAS (USA & Canada))
B	LHD Automatic (All markets except NAS (USA & Canada))
C	RHD Manual (All markets except NAS (USA & Canada))
D	LHD Manual (All markets except NAS (USA & Canada))
E	LHD Automatic - Power 1 - (AJ126 - 250KW/340PS) (AJ133 - 405KW/550PS)

F	LHD Automatic - Power 2 - (AJ126 - 280KW/380PS) (AJ133 - 423KW/575PS)
G	LHD Automatic - Power 3 - (AJ20-P4 - 221KW/300PS) (AJ126 - 294KW/400PS)
H	LHD Automatic - Power 4 - N/A
J	LHD Manual - Power 1 - (AJ126 - 250KW/340PS)
K	LHD Manual - Power 2 - (AJ126 - 280KW/380PS)
L	LHD Manual - Power 3 - N/A
M	LHD Manual - Power 4 - N/A

ENGINE

VIN Position 8

VIN CODE	DESCRIPTION
E	5.0 AJ133 V8 S/C Petrol
V	3.0 AJ126 V6 S/C Petrol
X	2.0 AJ20-P4 Petrol

CHECK DIGIT

VIN Position 9

VIN CODE	DESCRIPTION
?	Derived By Calculation

MODEL YEAR

VIN Position 10

VIN CODE	DESCRIPTION
J	2018
K	2019

ASSEMBLY PLANT

VIN Position 11

VIN CODE	DESCRIPTION
C	Castle Bromwich

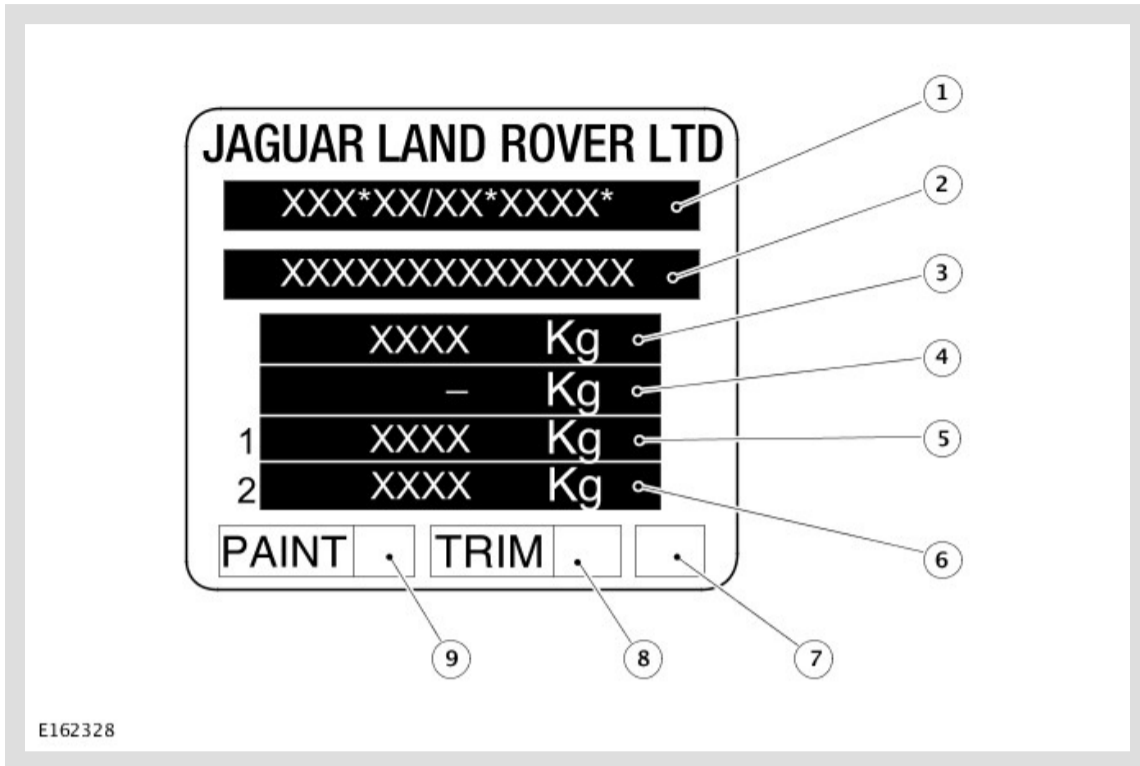
SERIAL NUMBER

VIN Position 12 - 17

SEQUENCE NUMBER
K00001 - K99999

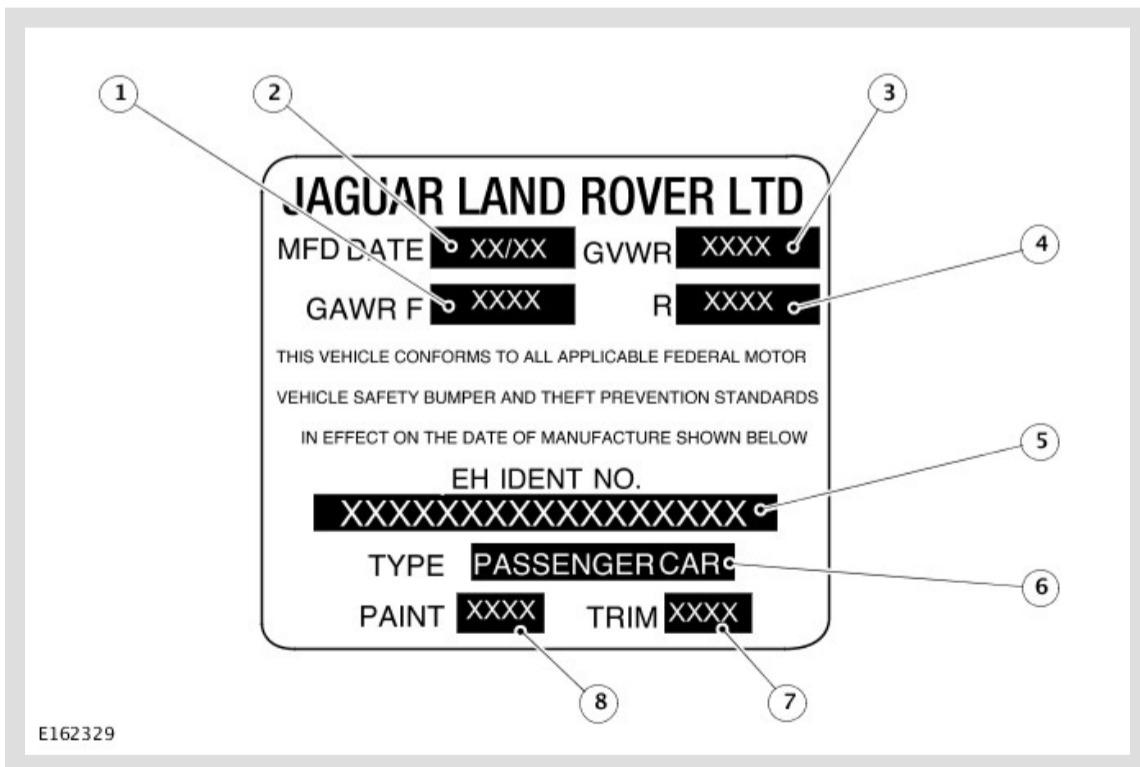
VIN LABEL

VIN Label (Europe and Rest of world excluding Project 7)



ITEM	DESCRIPTION
1	Whole vehicle type approval (WVTA)
2	VIN
3	Gross vehicle weight
4	Gross train weight
5	Maximum permitted front axle loading
6	Maximum permitted rear axle loading
7	Date of manufacture
8	Interior trim code
9	Paint code

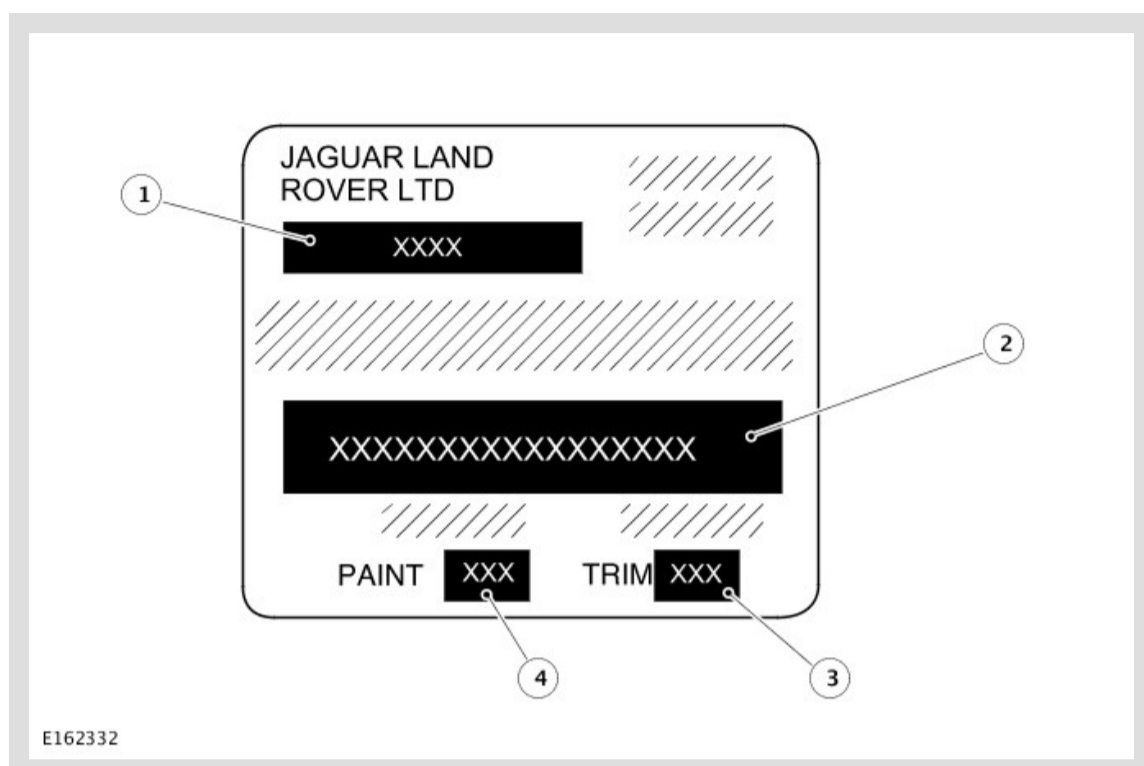
VIN Label (North America)



ITEM	DESCRIPTION
1	Maximum permitted front axle loading
2	Date of manufacture
3	Gross vehicle weight
4	Maximum permitted rear axle loading

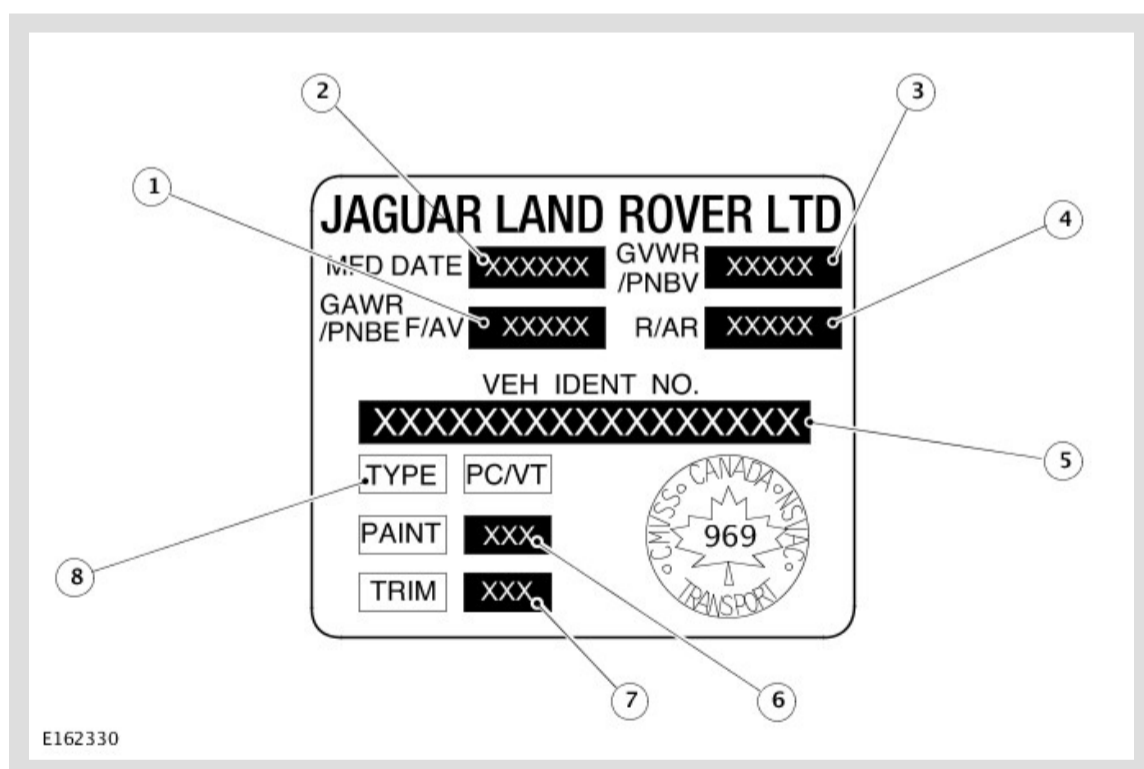
5	VIN
6	Type
7	Interior trim code
8	Paint code

VIN Label (Saudi Arabia and Gulf States)



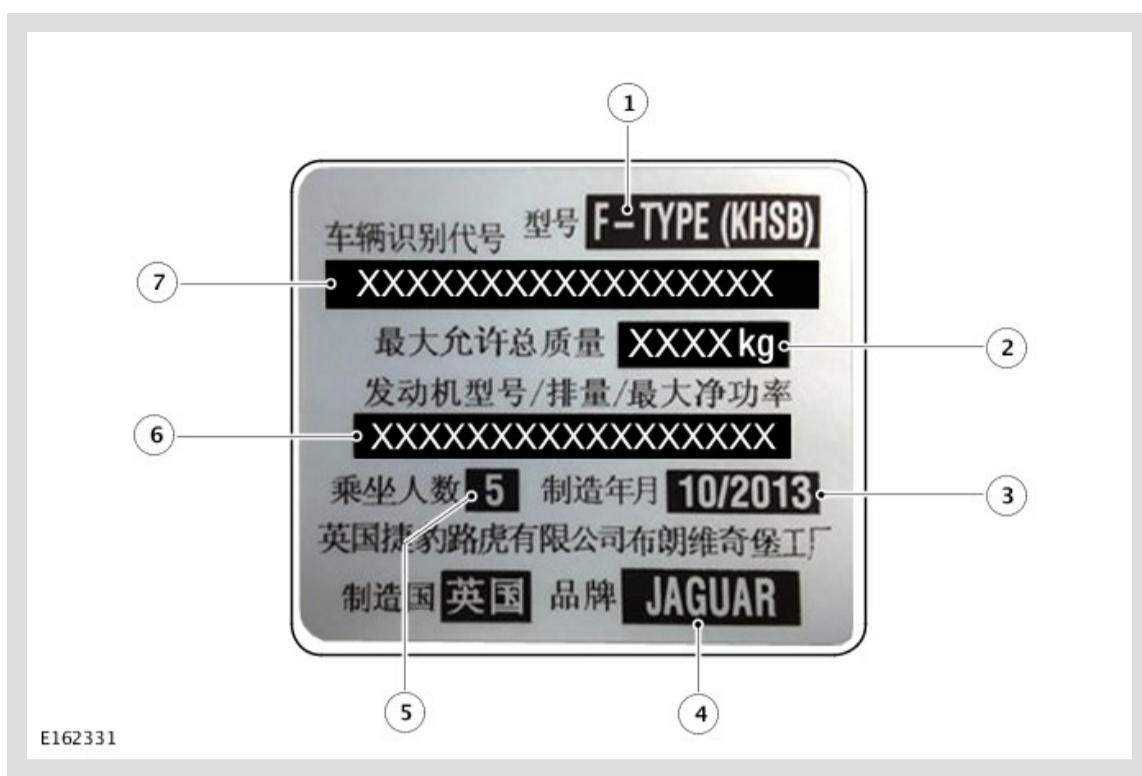
ITEM	DESCRIPTION
1	Date of manufacturer
2	VIN
3	Interior trim code
4	Paint code

VIN Label (Canada)



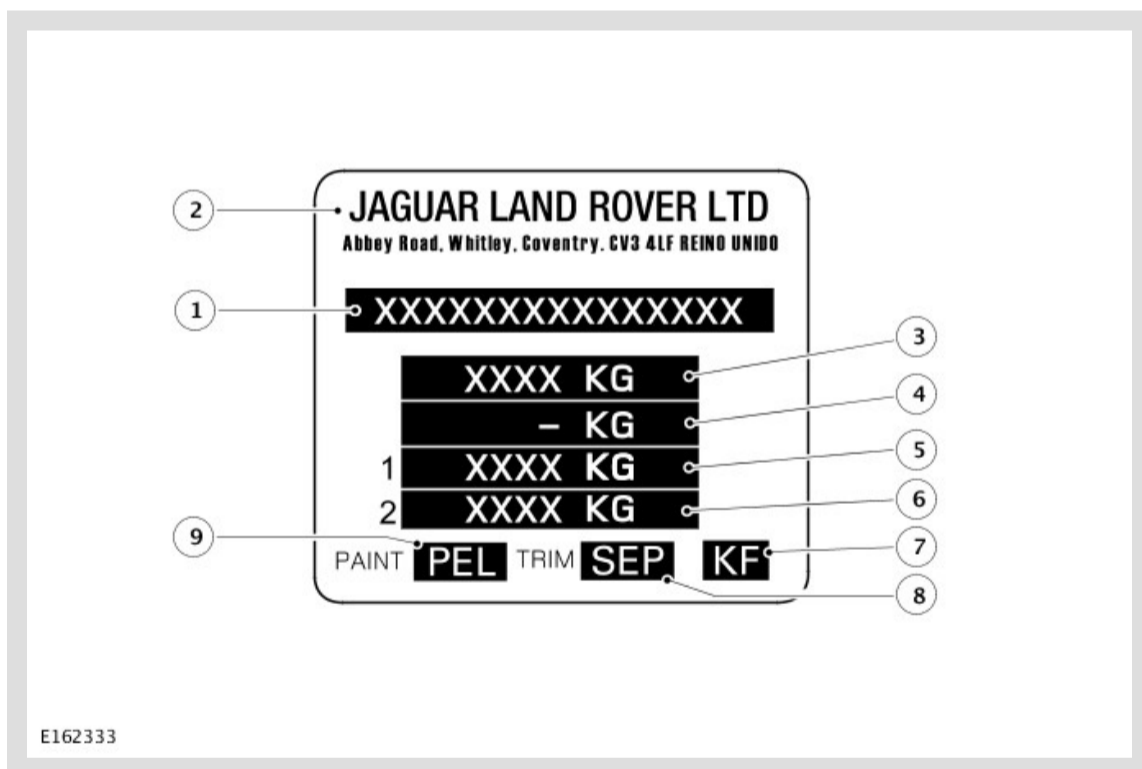
ITEM	DESCRIPTION
1	Maximum permitted front axle loading
2	Date of manufacturer
3	Gross vehicle weight
4	Maximum permitted rear axle loading
5	VIN
6	Paint code
7	Interior trim code
8	Type

VIN Label (China)



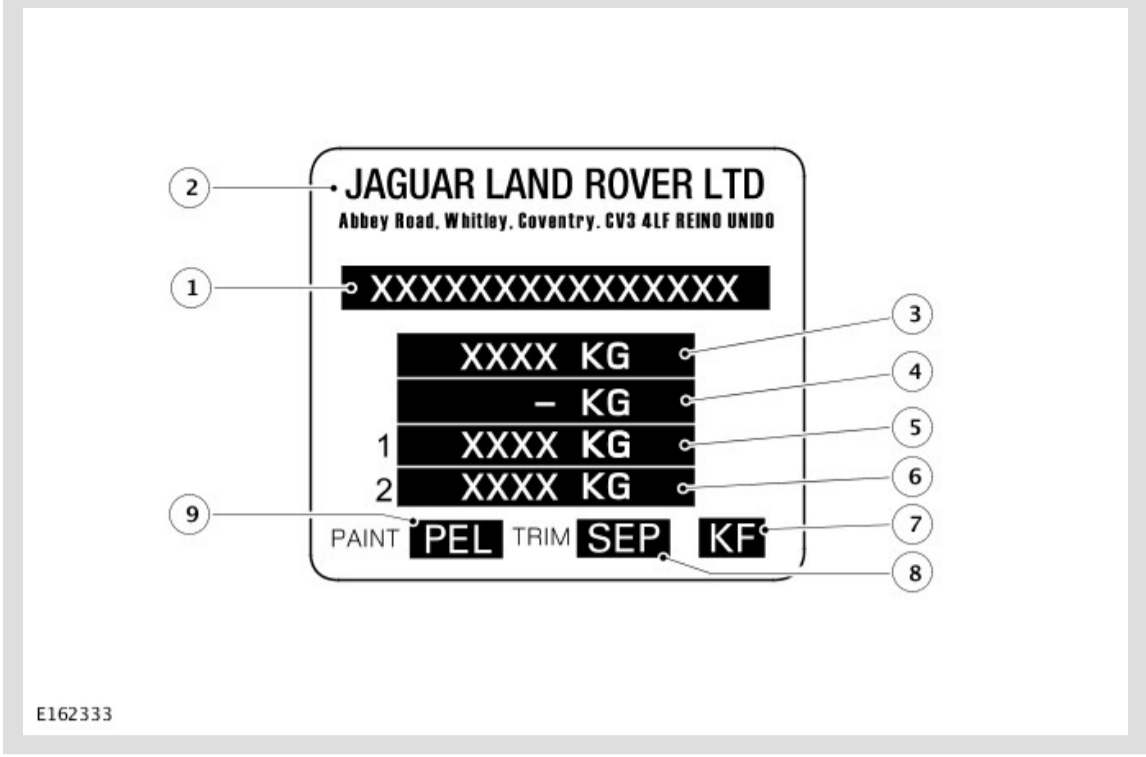
ITEM	DESCRIPTION
1	Vehicle type
2	Gross vehicle weight/Gross train weight
3	Date of manufacturer
4	Trade mark
5	Occupant number
6	Engine specification
7	VIN

VIN Label (Argentina)



ITEM	DESCRIPTION
1	VIN
2	Trade mark
3	Gross vehicle weight
4	Gross train weight
5	Maximum permitted front axle loading
6	Maximum permitted rear axle loading
7	Date of manufacture
8	Interior trim code
9	Paint code

VIN Label (Europe and Rest of world Project 7 only)



ITEM	DESCRIPTION
1	VIN
2	Trade mark
3	Gross vehicle weight
4	Gross train weight
5	Maximum permitted front axle loading
6	Maximum permitted rear axle loading
7	Date of manufacture
8	Interior trim code
9	Paint code

AUTOMATIC TRANSMISSION NUMBER

The serial number of the transmission unit is displayed on a metal label or bar code (if equipped) attached to the transmission casing.

MANUAL TRANSMISSION NUMBER

The serial number of the transmission unit is displayed on a metal label or bar code (if equipped) attached to the transmission casing.

ENGINE NUMBER - 2.0L TURBOCHARGED

The serial number is located on the camshaft cover.

ENGINE NUMBER - 3.0L SUPERCHARGED

The serial number is stamped on an engine web on the left-hand side of the cylinder block behind the engine mounting.

ENGINE NUMBER - 5.0L SUPERCHARGED

The serial number is stamped on an engine web on the left-hand side of the cylinder block behind the engine mounting. The emission code is also located here, on the transmission flange.