

REAR BUMPER COVER - COUPE

REMOVAL AND INSTALLATION

76.22.77	REAR BUMPER COVER - RENEW	CABRIOLET	2.6	USED WITHINS
76.22.77	REAR BUMPER COVER - RENEW	CABRIOLET, SVR	3	USED WITHINS
76.22.77	REAR BUMPER COVER - RENEW	COUPE	2.5	USED WITHINS
76.22.77	REAR BUMPER COVER - RENEW	PROJECT 7	2.8	USED WITHINS

REMOVAL

ⓘ CAUTION:

Always protect paintwork and glass when removing exterior components.

 **NOTE:**

Removal steps in this procedure may contain installation details.

1.

 **WARNING:**

Make sure to support the vehicle with axle stands.

Raise and support the vehicle.

2.

 **NOTE:**

The procedure must be carried out on both sides.

Refer to: [Wheel and Tire](#) (204-04 Wheels and Tires, Removal and Installation).

3.

 **NOTE:**

LH side only.

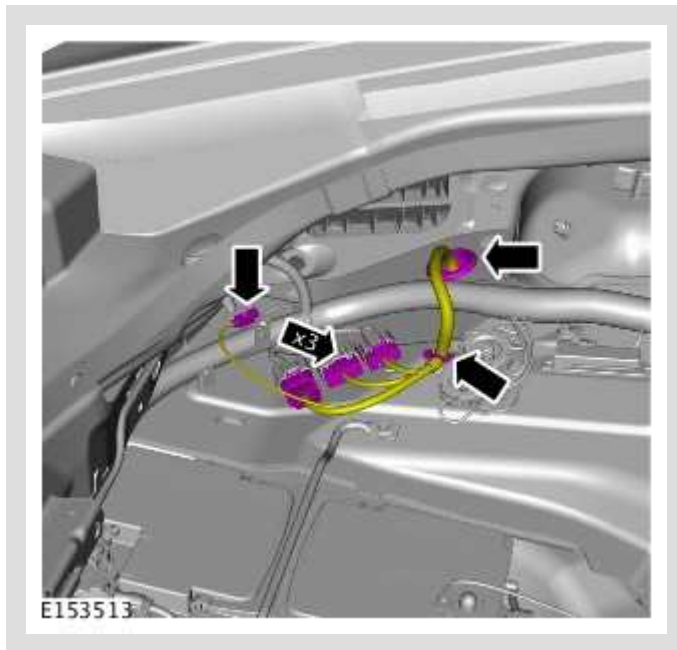
Refer to: [Loadspace Trim Panel - Coupe](#) (501-05 Interior Trim and Ornamentation, Removal and Installation).

4.

If equipped.

Refer to: [Rear Diffuser](#) (501-08, Removal and Installation).

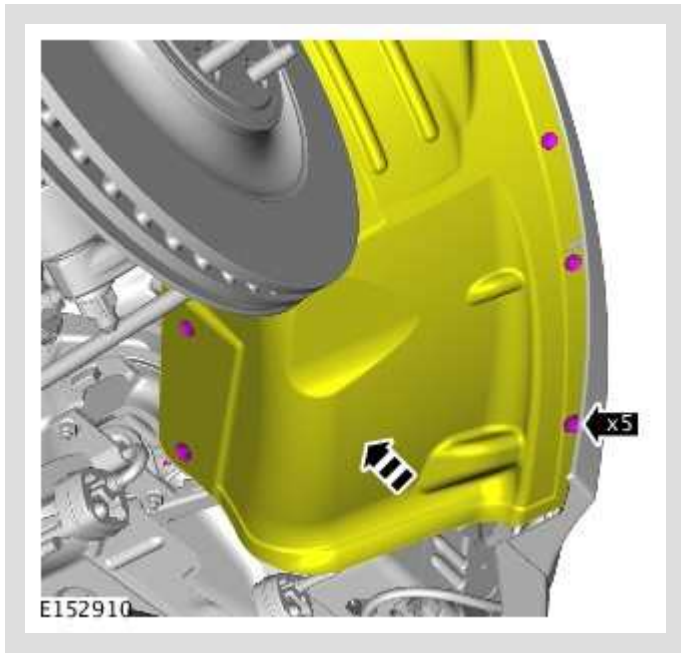
5.



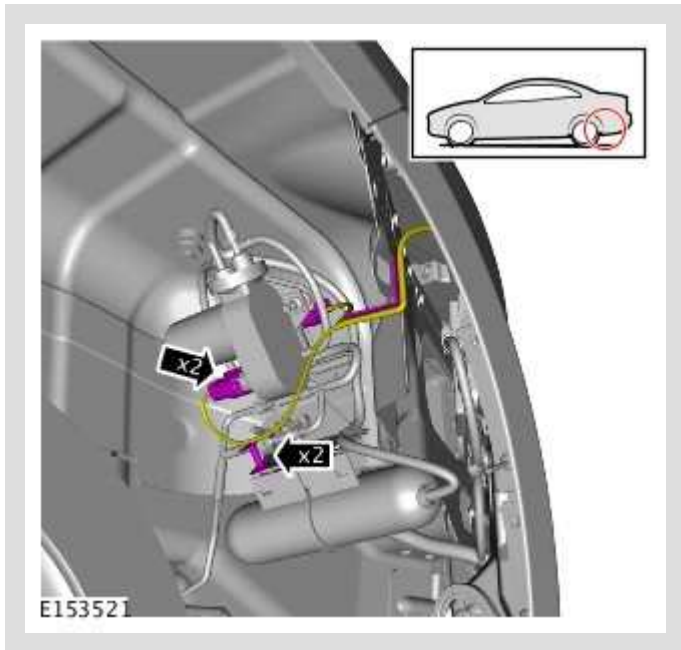
6.

 **NOTE:**

The step must be carried out on both sides.



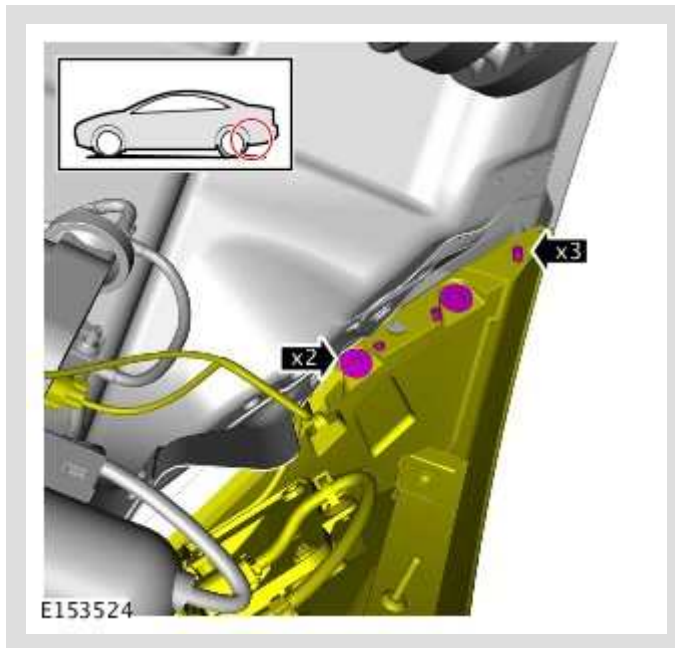
7.



8.

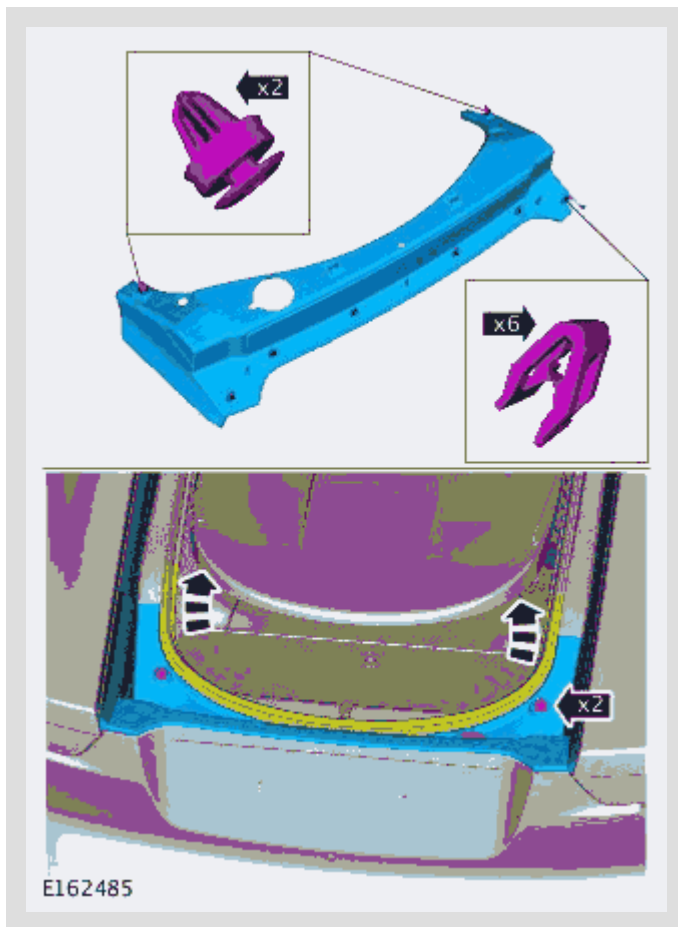
△ NOTES:

- The step must be carried out on both sides.
- Make sure that the component is installed to the noted removal position.



Torque: 4.1 Nm

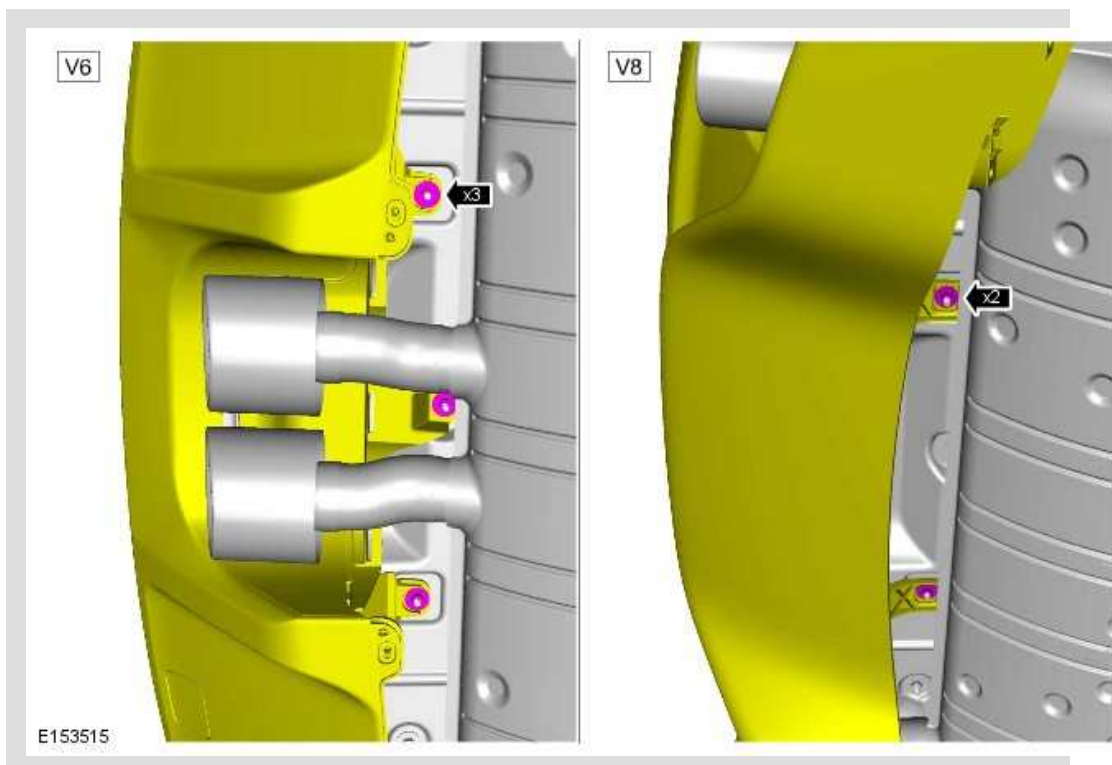
9.





Torque: 4.1 Nm

11.

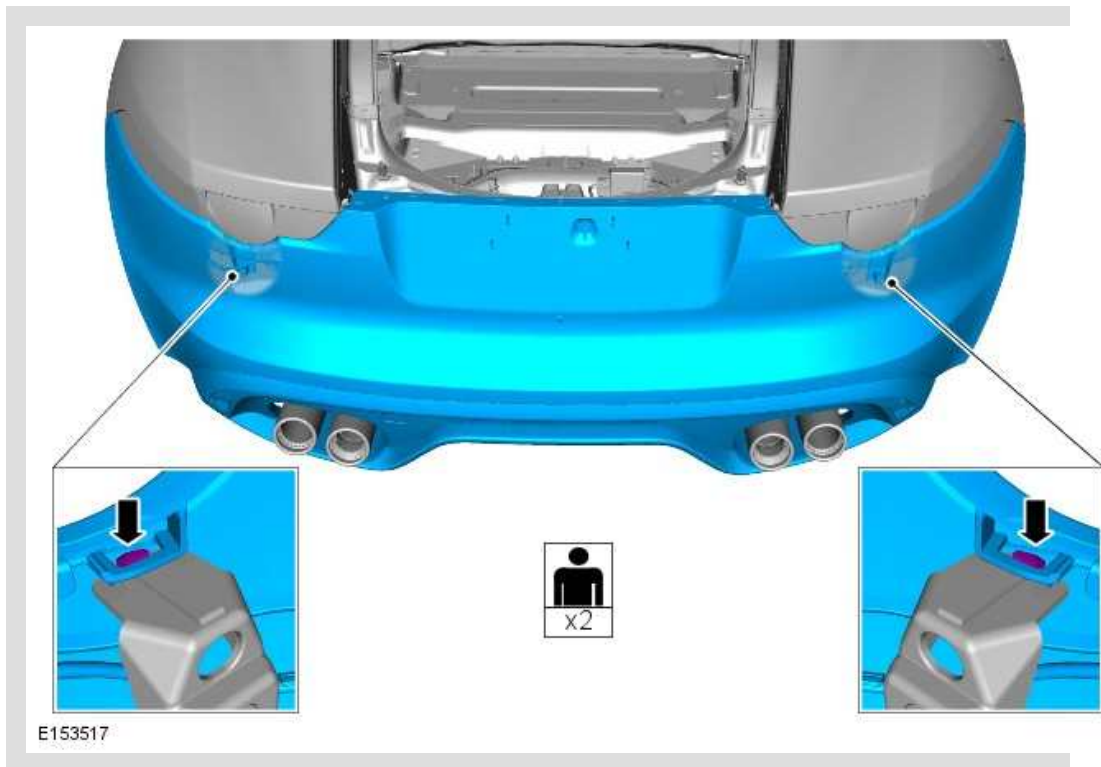


Torque: 4.1 Nm

12.

 NOTE:

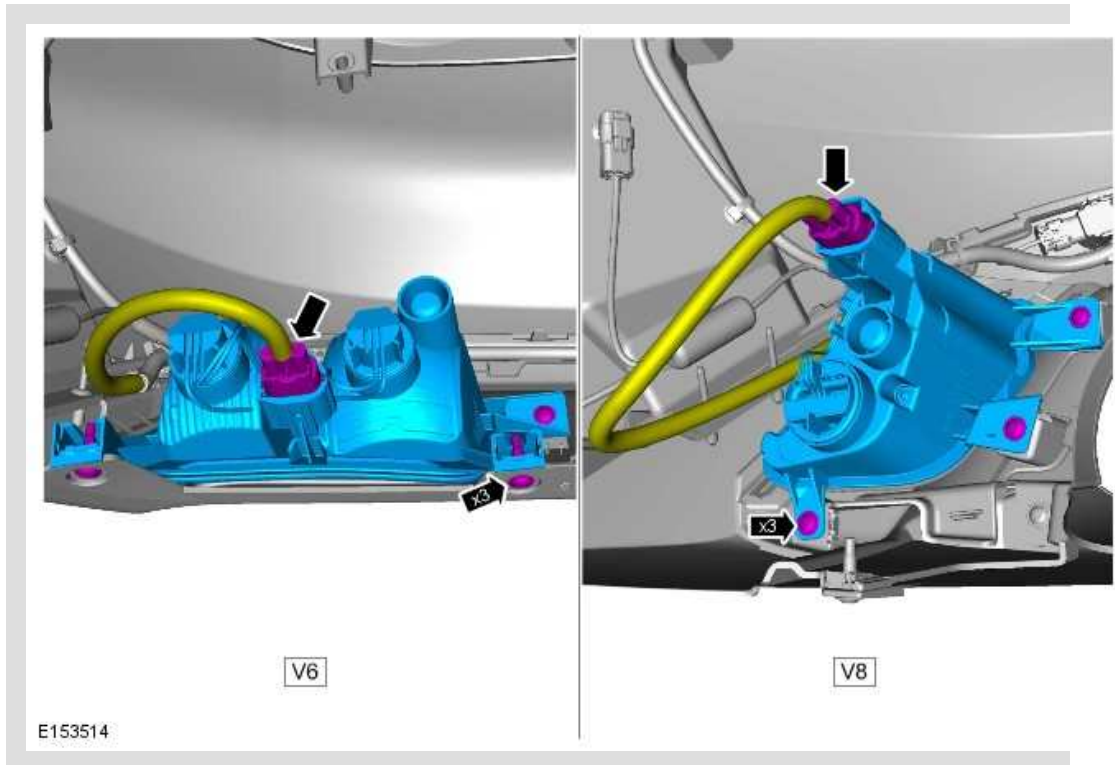
Do not disassemble further if the component is removed for access only.



13.

 NOTE:

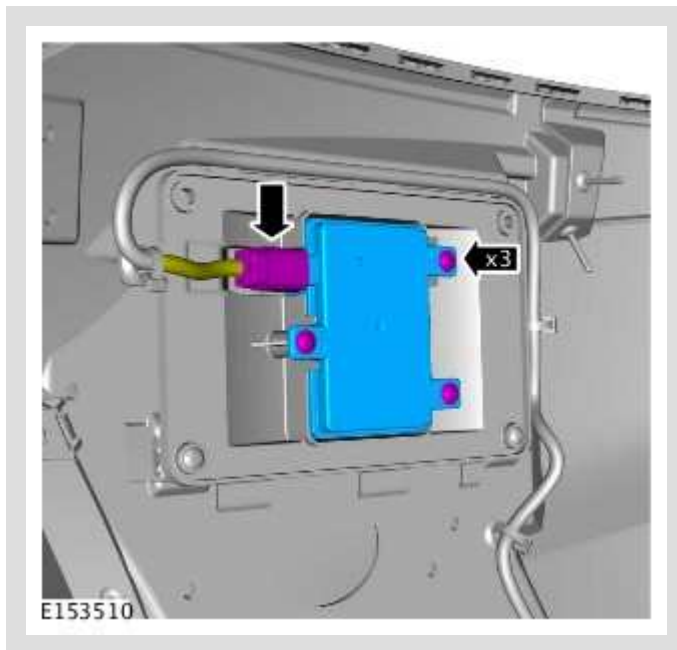
The step must be carried out on both sides.



14.

△ NOTE:

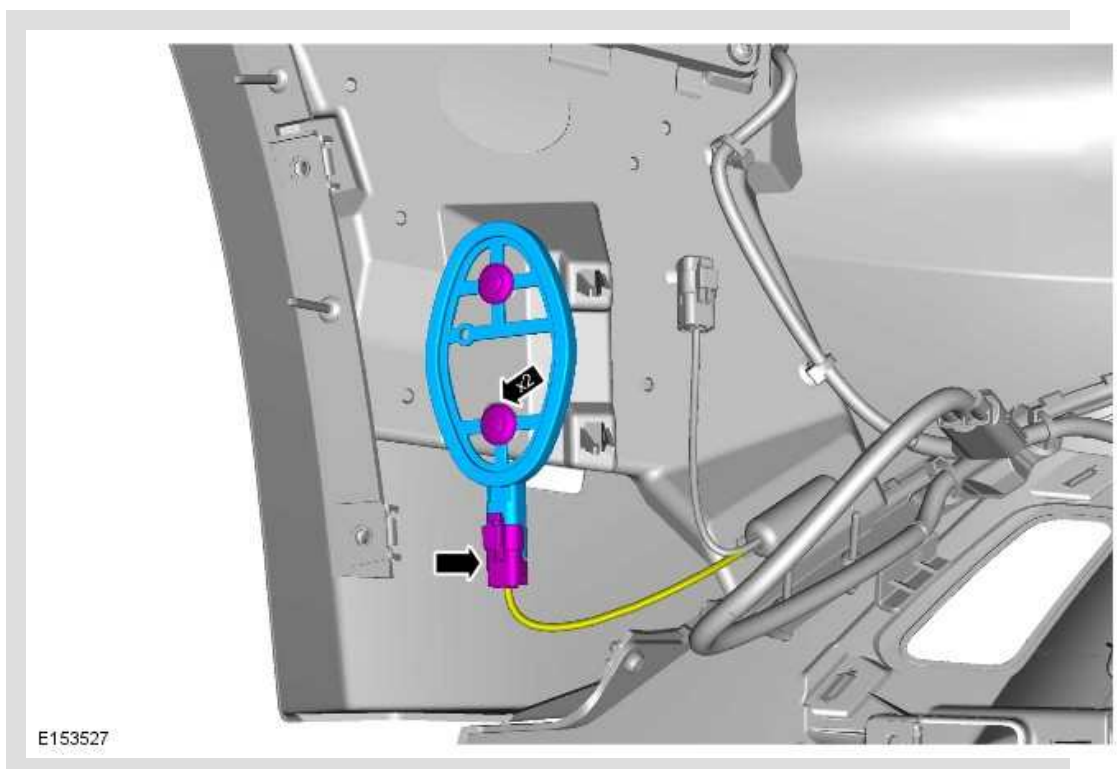
The step must be carried out on both sides.



15.

△ NOTE:

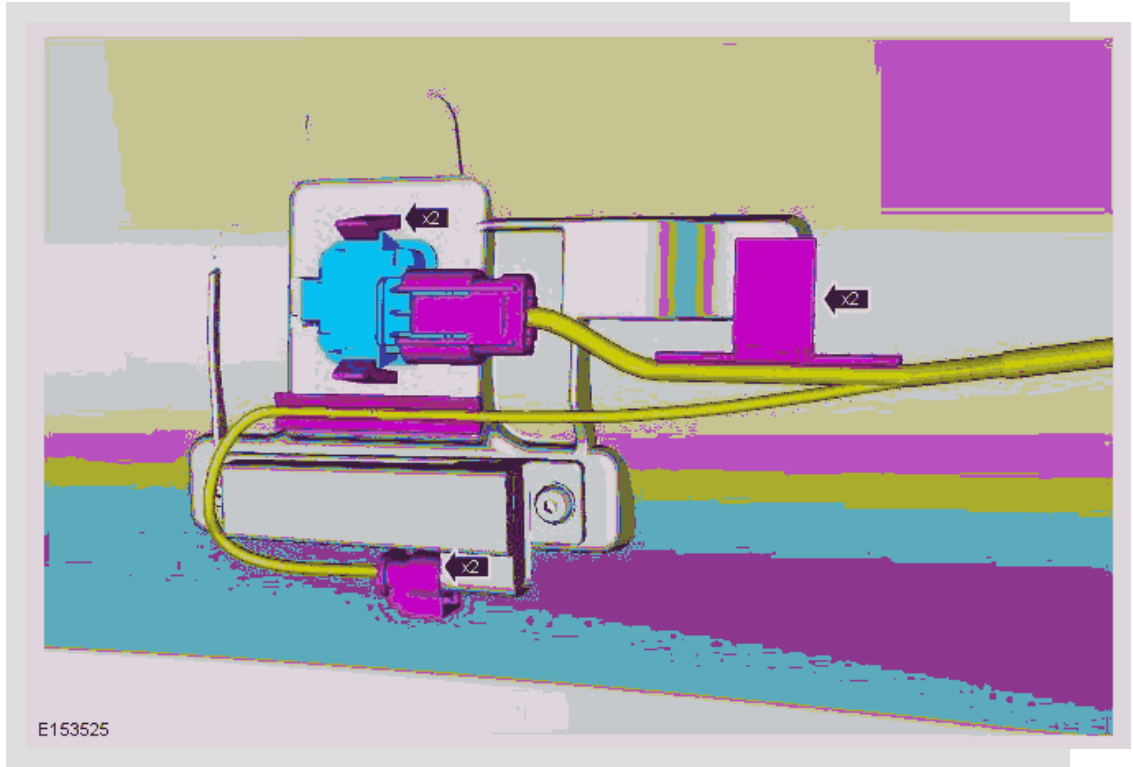
The step must be carried out on both sides.



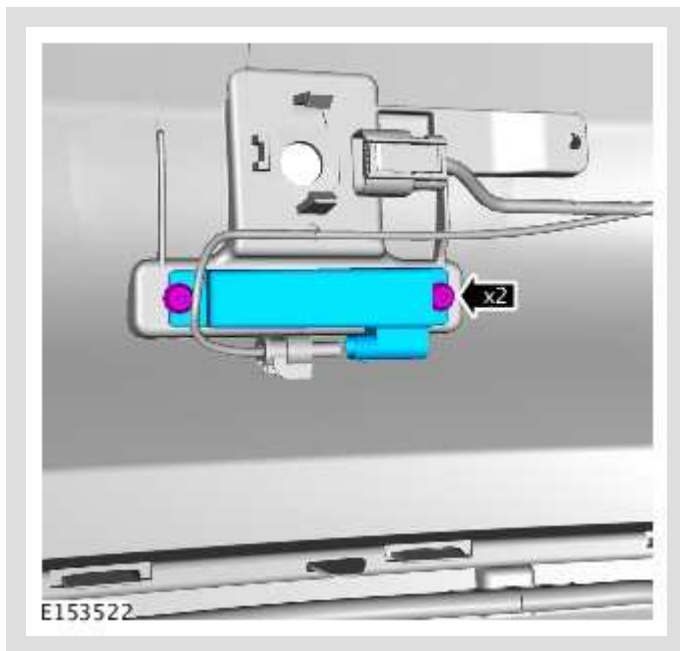
16.

△ NOTE:

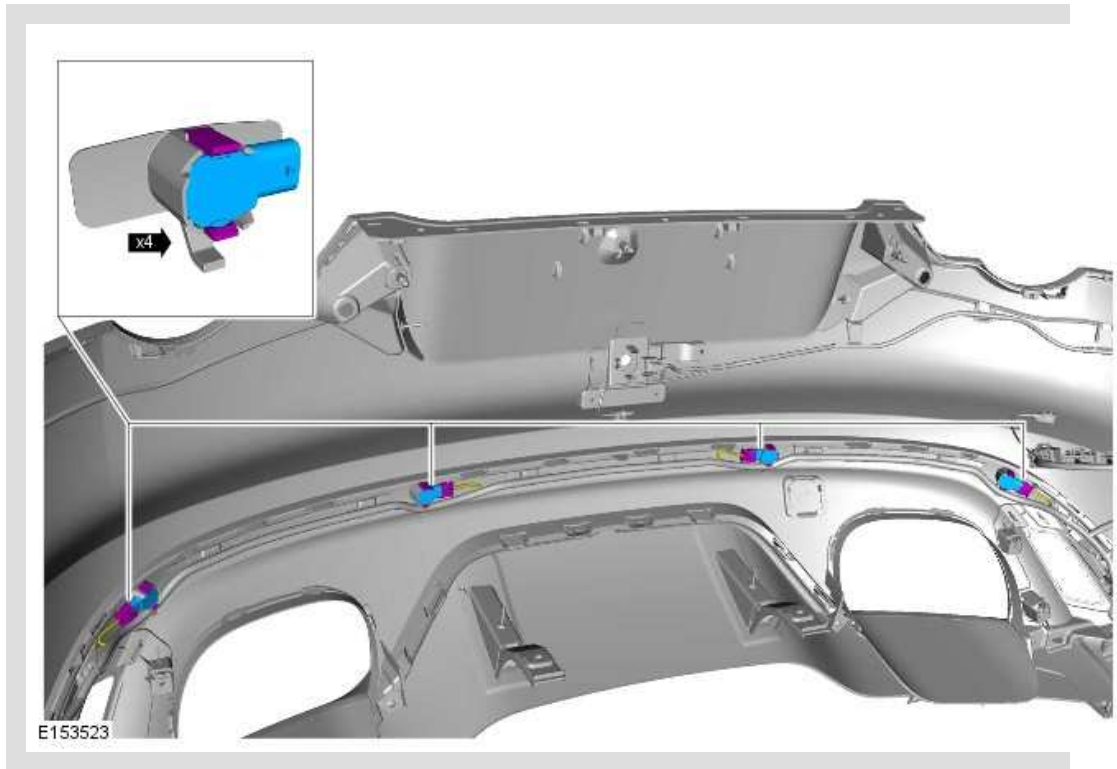
If equipped.



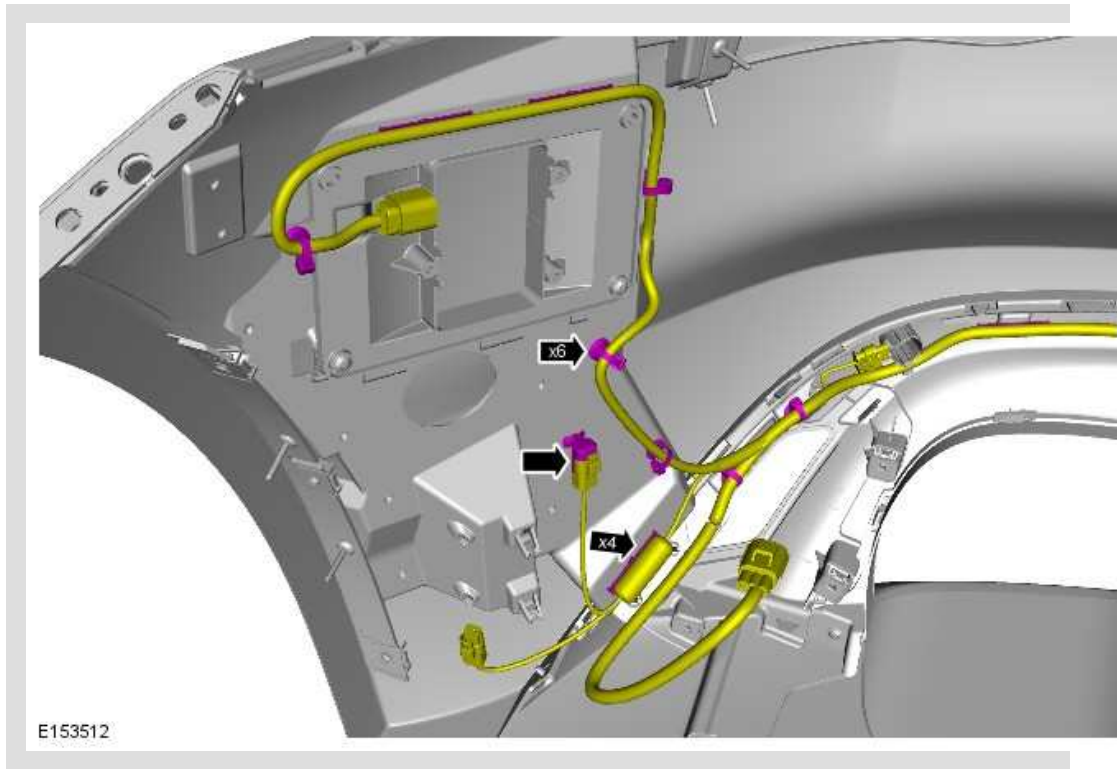
17.



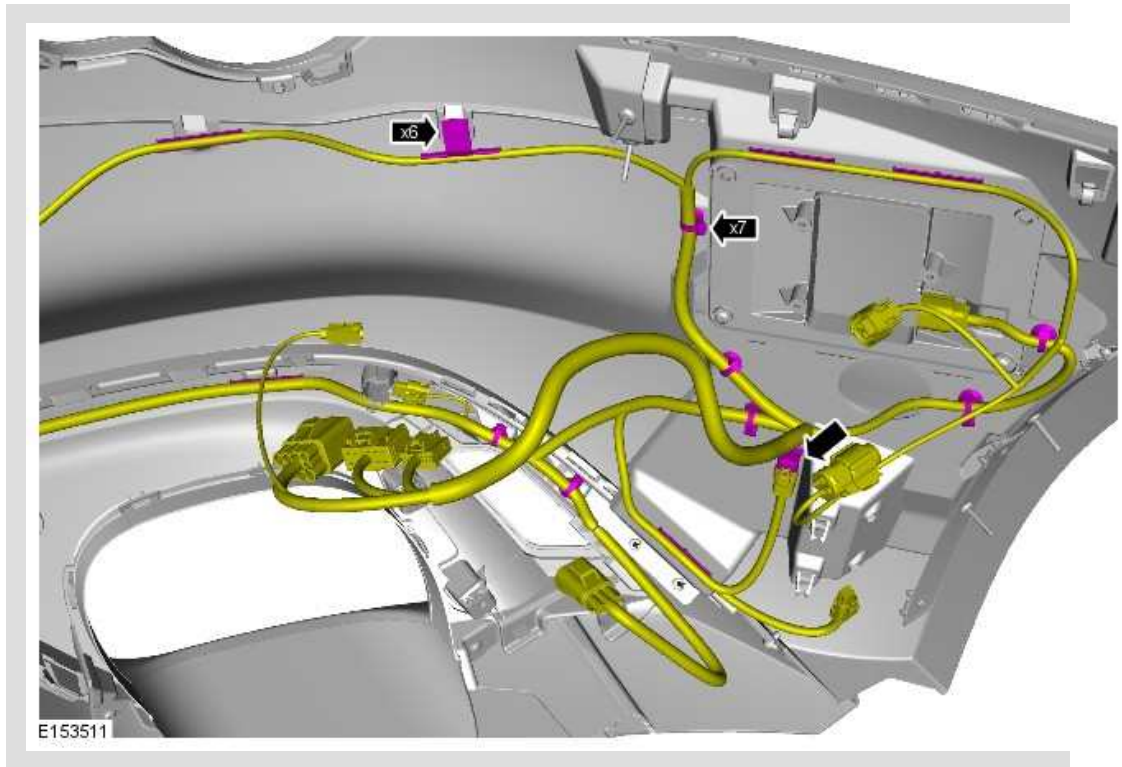
18.



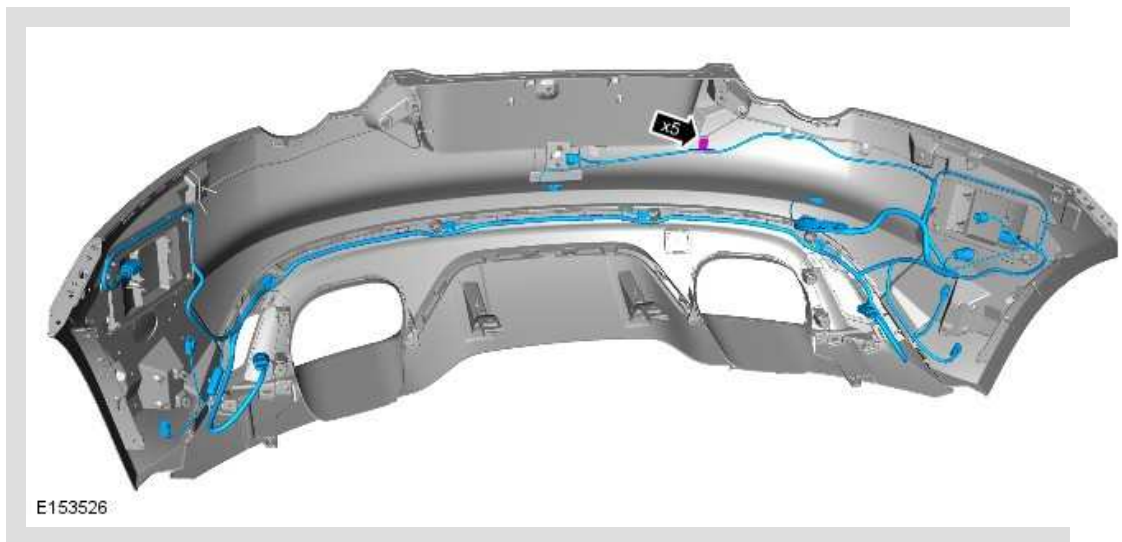
19.



20.



21.



INSTALLATION

1. To install, reverse the removal procedure.

REAR BUMPER COVER - FOLDING TOP

REMOVAL AND INSTALLATION

76.22.77	REAR BUMPER COVER - RENEW	CABRIOLET	2.6	USED WITHINS
76.22.77	REAR BUMPER COVER - RENEW	CABRIOLET, SVR	3	USED WITHINS
76.22.77	REAR BUMPER COVER - RENEW	COUPE	2.5	USED WITHINS
76.22.77	REAR BUMPER COVER - RENEW	PROJECT 7	2.8	USED WITHINS

REMOVAL

ⓘ CAUTION:

Always protect paintwork and glass when removing exterior components.

 **NOTE:**

Removal steps in this procedure may contain installation details.

1.

 **WARNING:**

Make sure to support the vehicle with axle stands.

Raise and support the vehicle.

2.

 **NOTE:**

The procedure must be carried out on both sides.

Refer to: [Wheel and Tire](#) (204-04 Wheels and Tires, Removal and Installation).

3.

 **NOTE:**

LH side only.

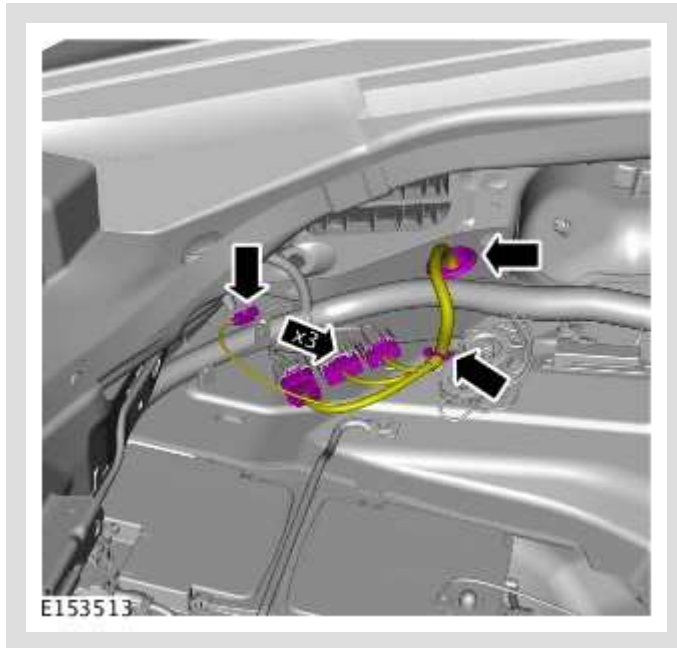
Refer to: [Loadspace Trim Panel - Folding Top](#) (501-05 Interior Trim and Ornamentation, Removal and Installation).

4.

If equipped.

Refer to: [Rocker Panel Moulding](#) (501-08 Exterior Trim and Ornamentation, Removal and Installation).

5.



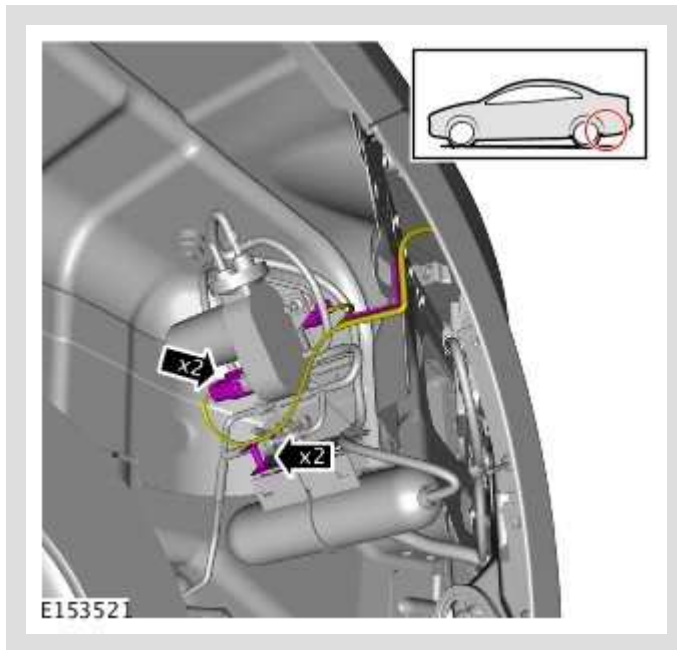
6.

 **NOTE:**

The step must be carried out on both sides.



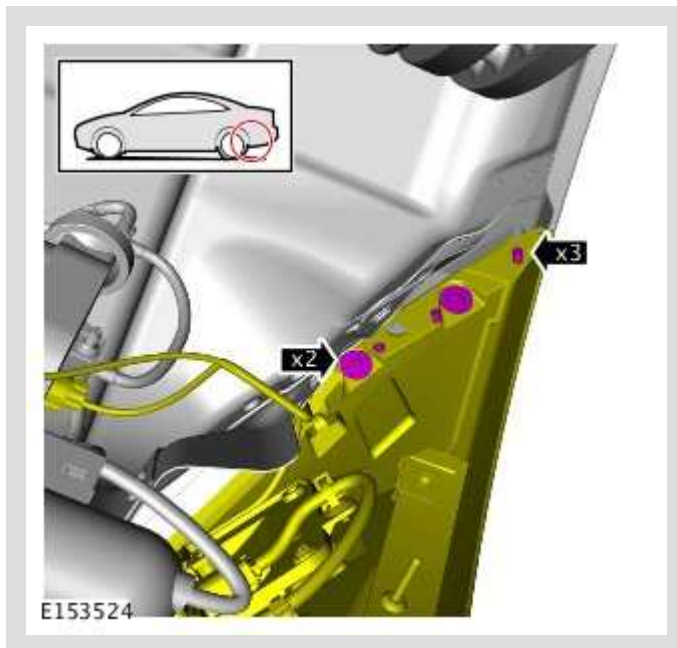
7.



8.

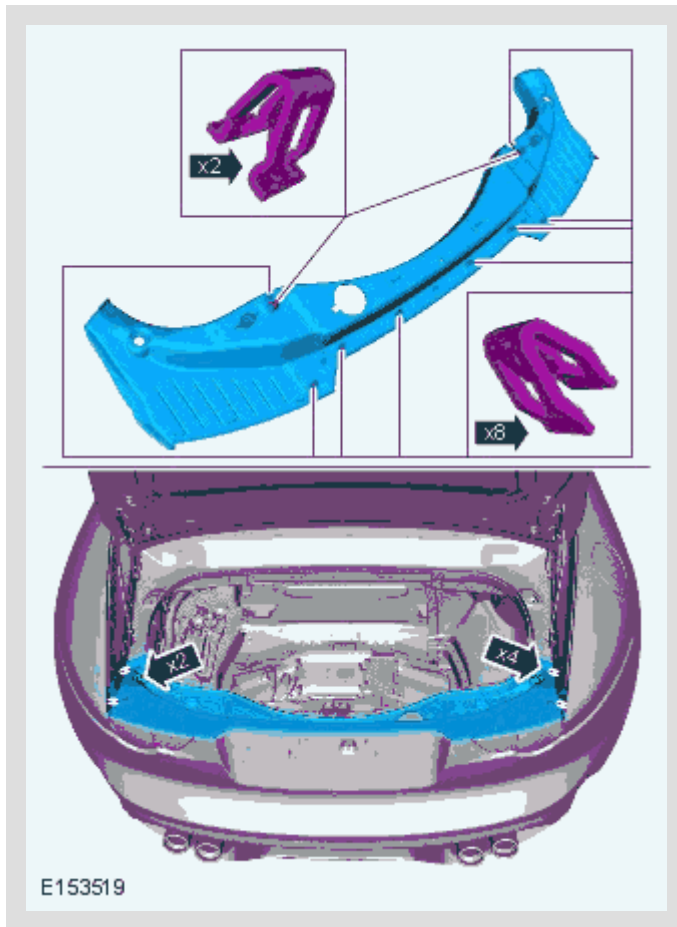
 NOTES:

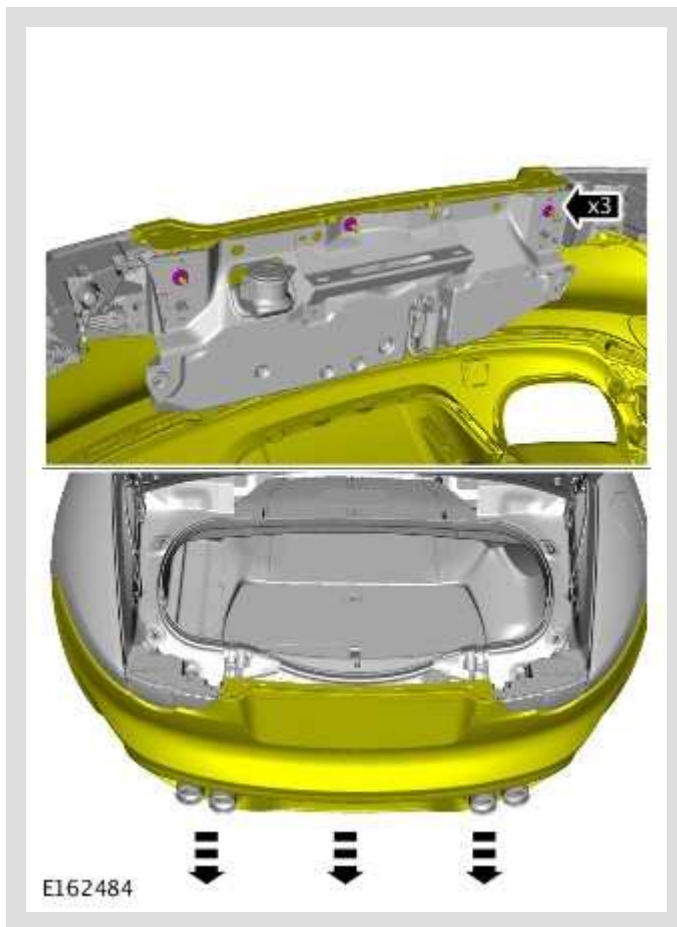
- The step must be carried out on both sides.
- Make sure that the component is installed to the noted removal position.



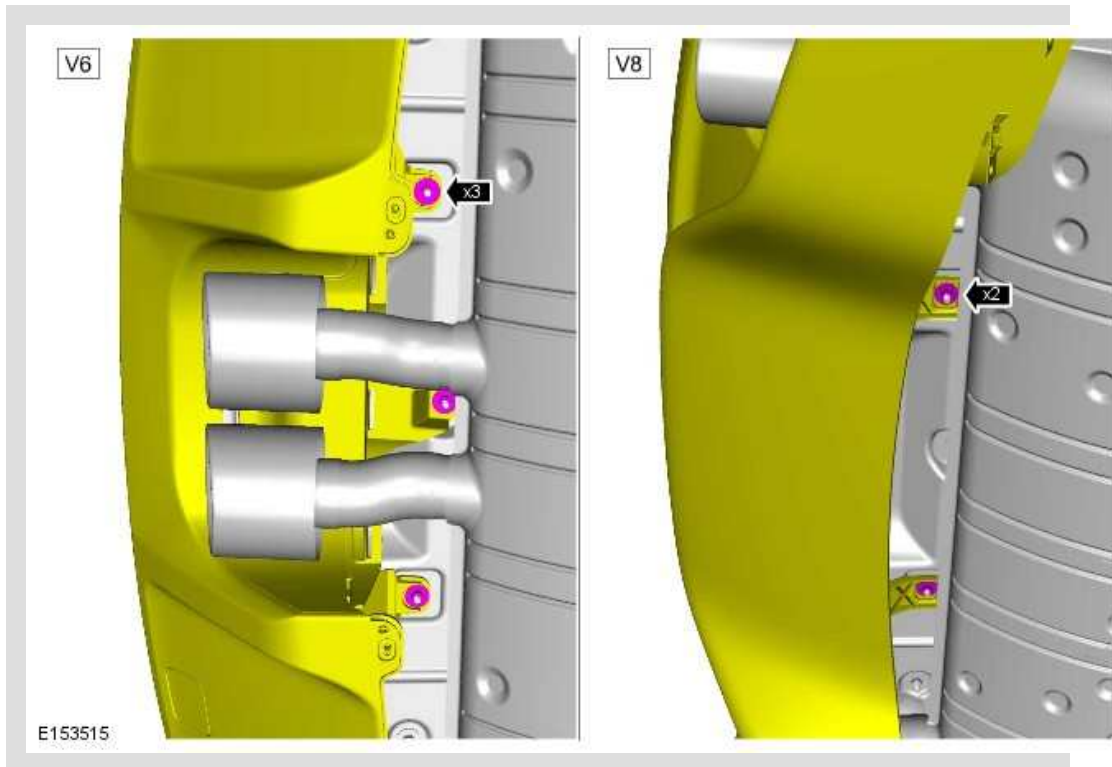
Torque: 4.1 Nm

9.





Torque: 4.1 Nm

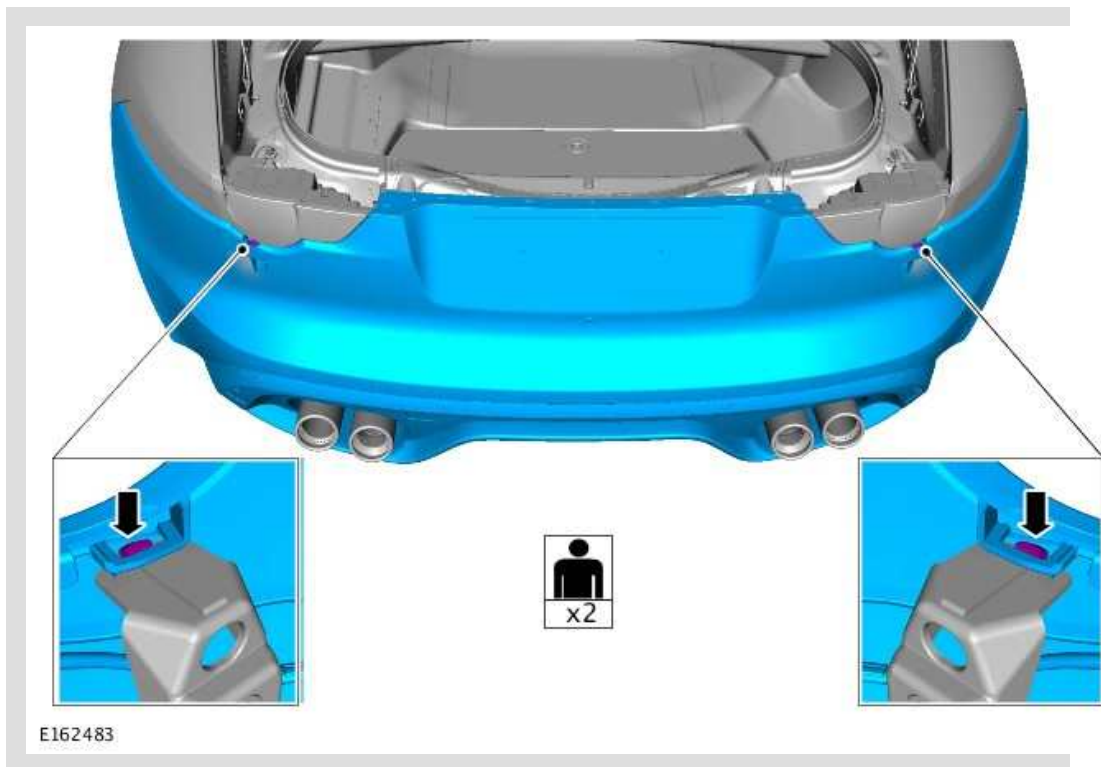


Torque: 4.1 Nm

12.

NOTE:

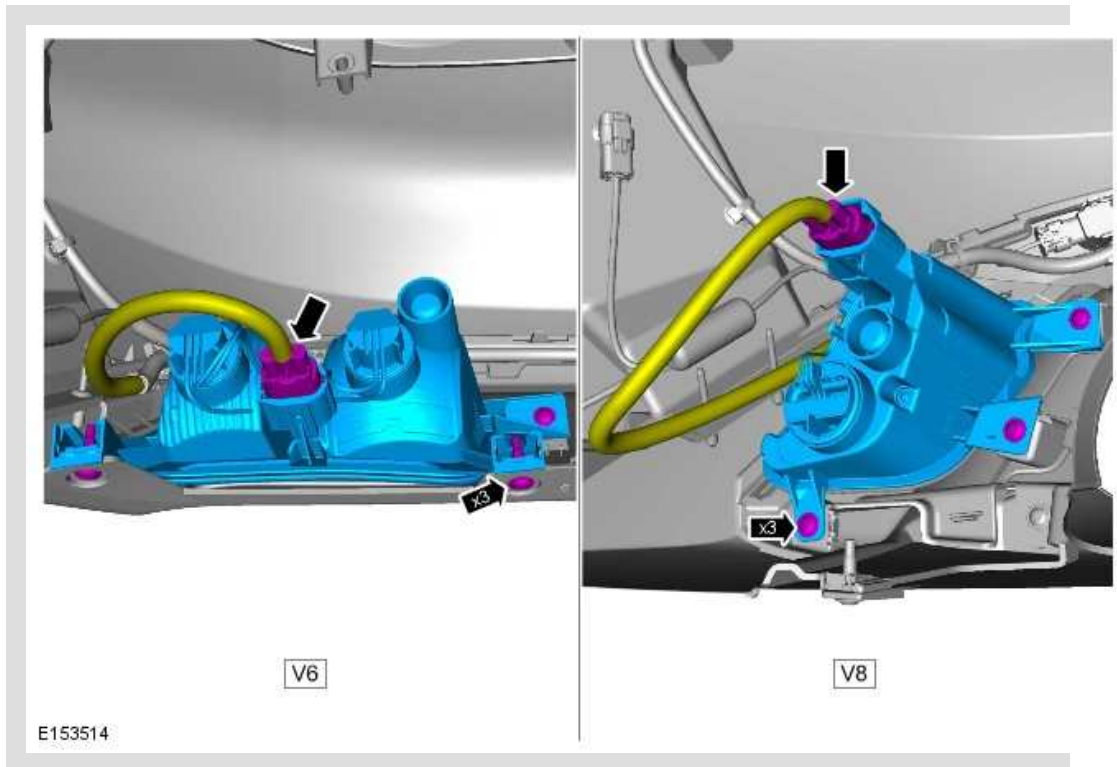
Do not disassemble further if the component is removed for access only.



13.

 **NOTE:**

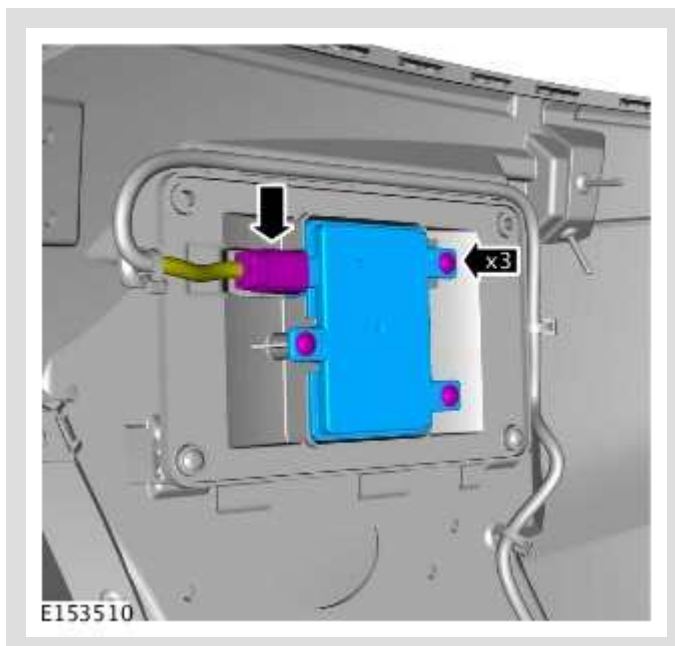
The step must be carried out on both sides.




14.

△ NOTE:

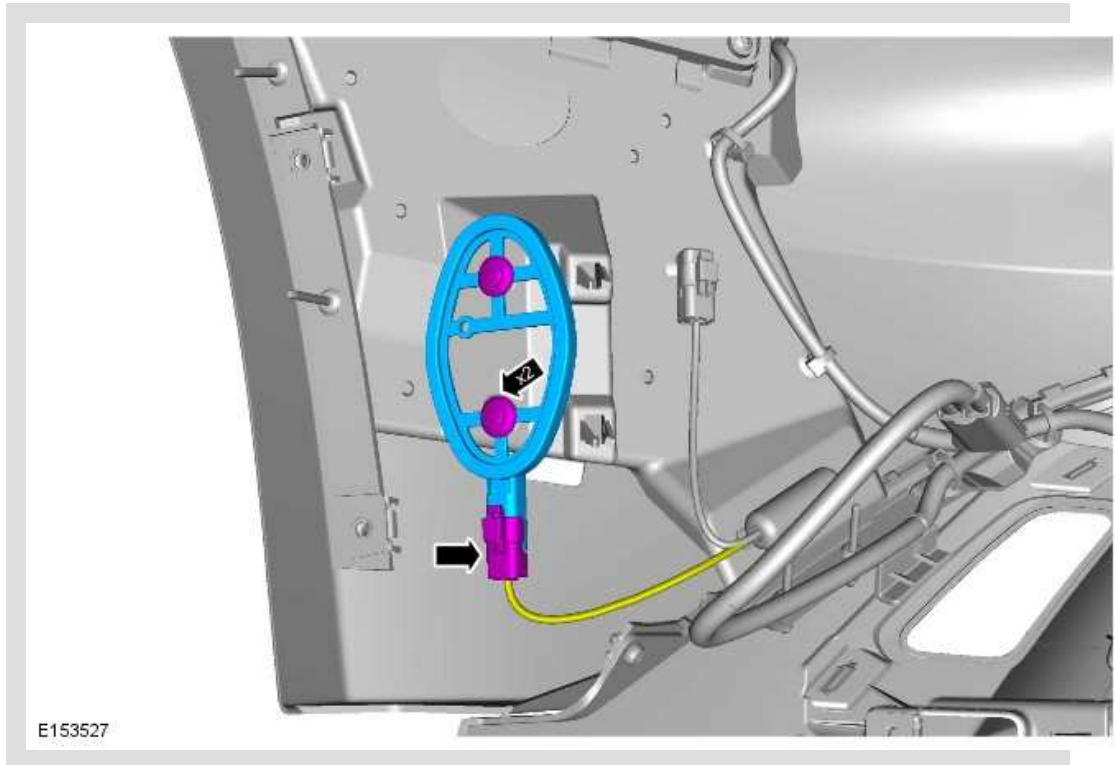
The step must be carried out on both sides.



15.

 **NOTE:**

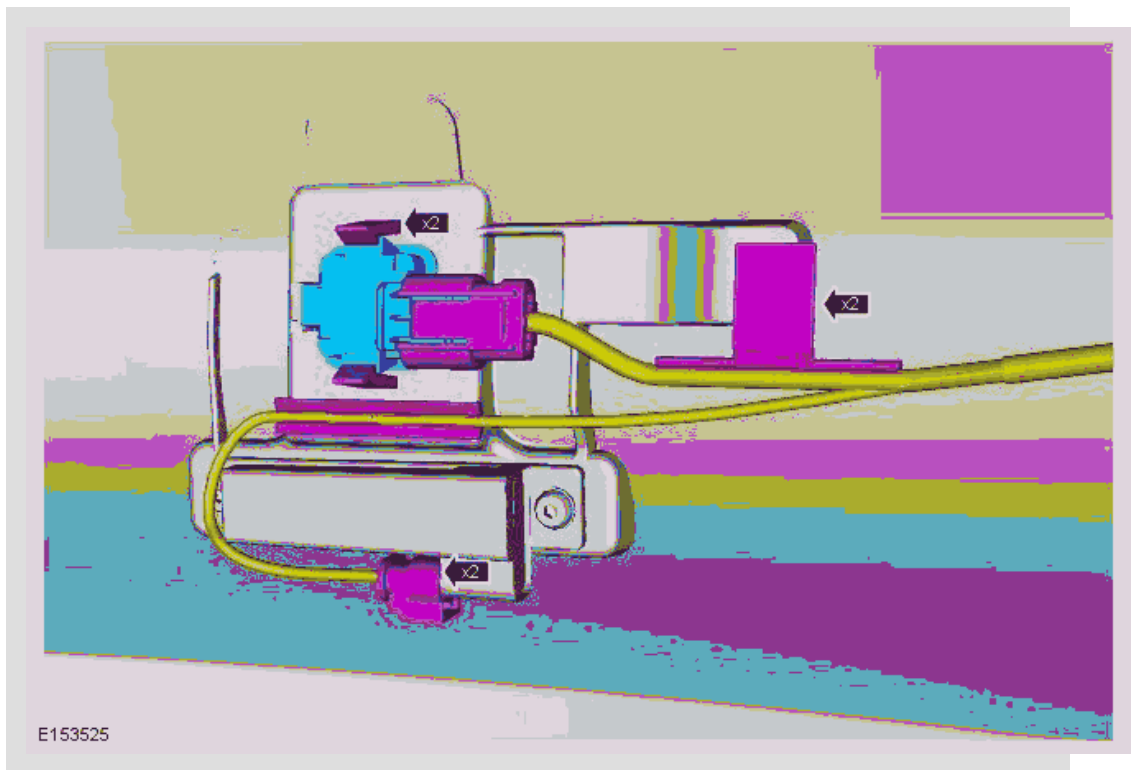
The step must be carried out on both sides.

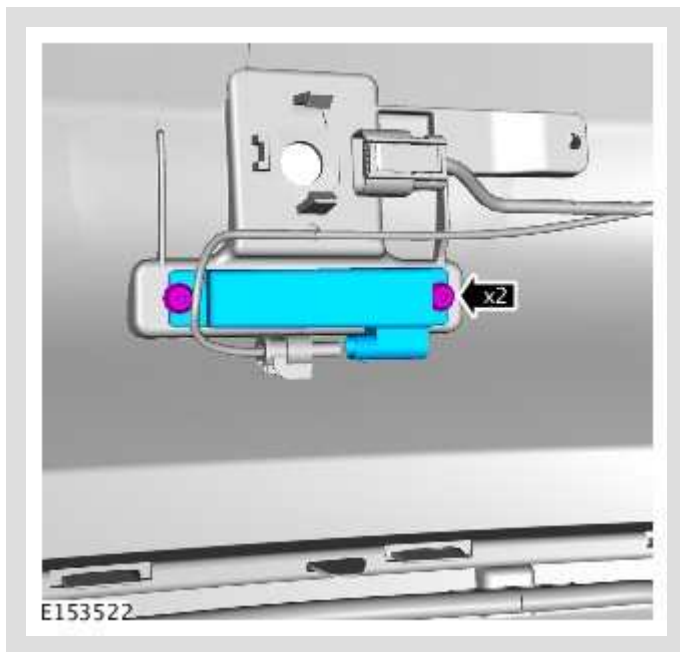


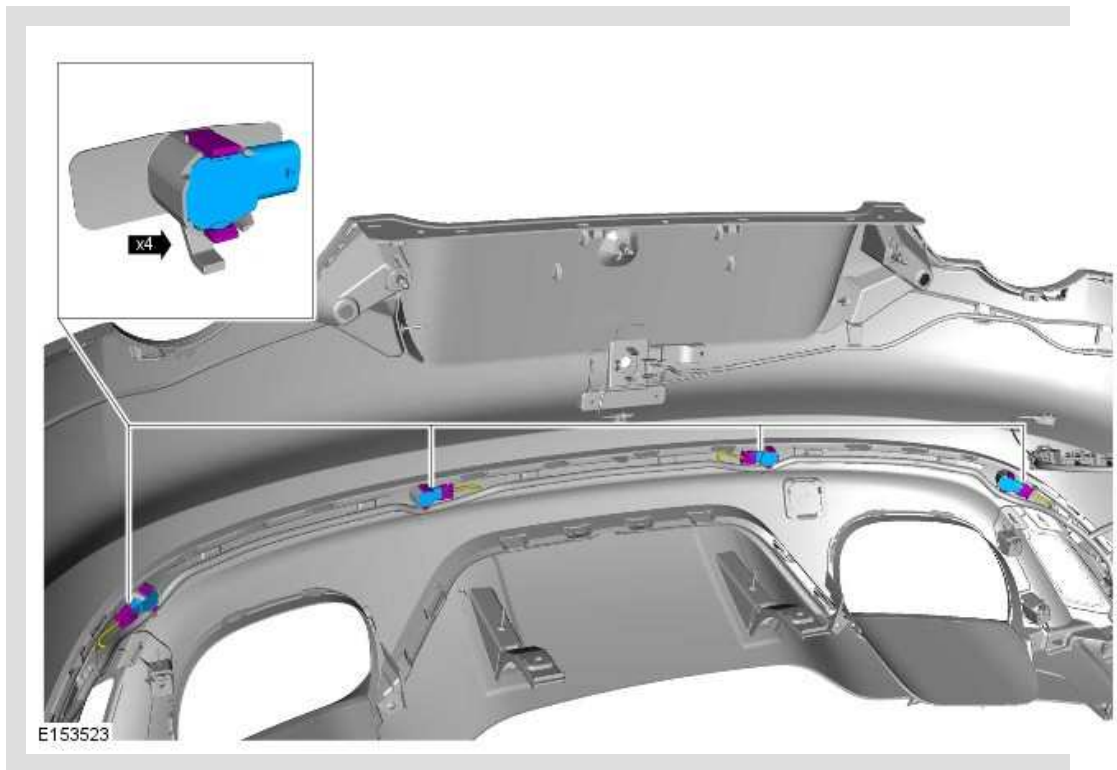
16.

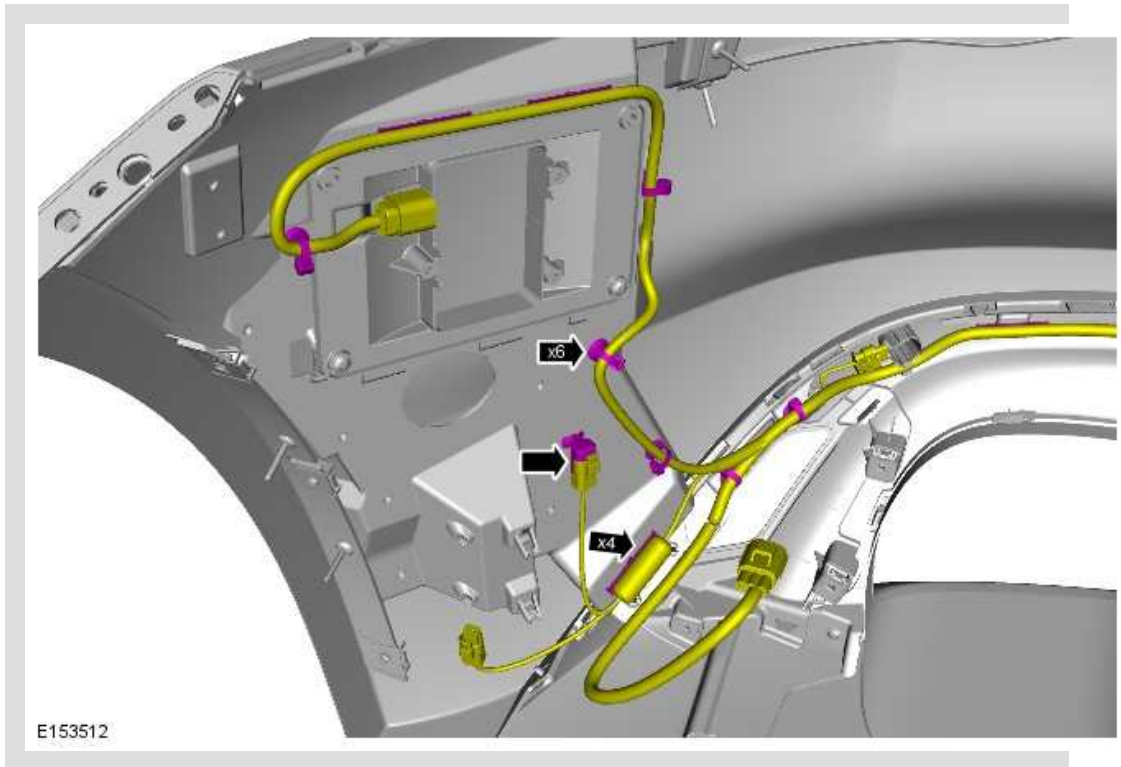
 **NOTE:**

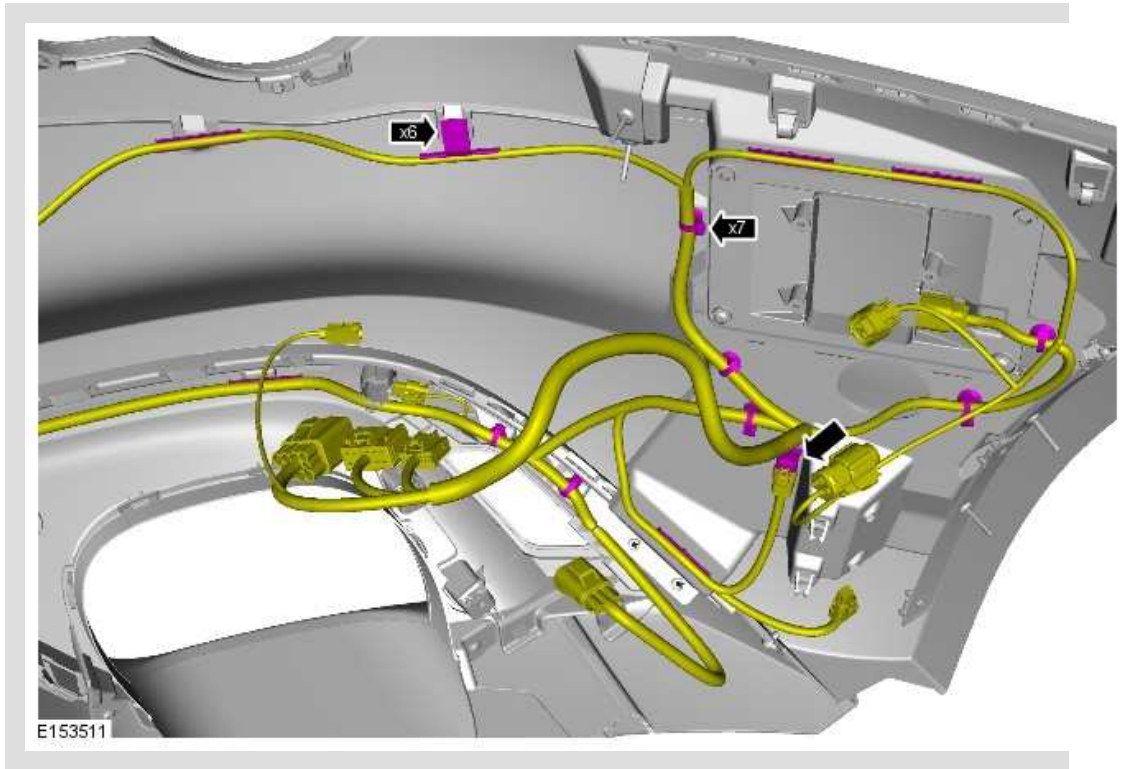
If equipped.











REAR BUMPER

REMOVAL AND INSTALLATION

76.22.15	REAR BUMPER ASSEMBLY - RENEW	CABRIOLET	1.7	USED WITHINS
----------	------------------------------	-----------	-----	--------------

76.22.15	REAR BUMPER ASSEMBLY - RENEW	COUPE	1.6	USED WITHINS
----------	------------------------------	-------	-----	--------------

REMOVAL

NOTE:

Removal steps in this procedure may contain installation details.

1.

WARNING:

Make sure to support the vehicle with axle stands.

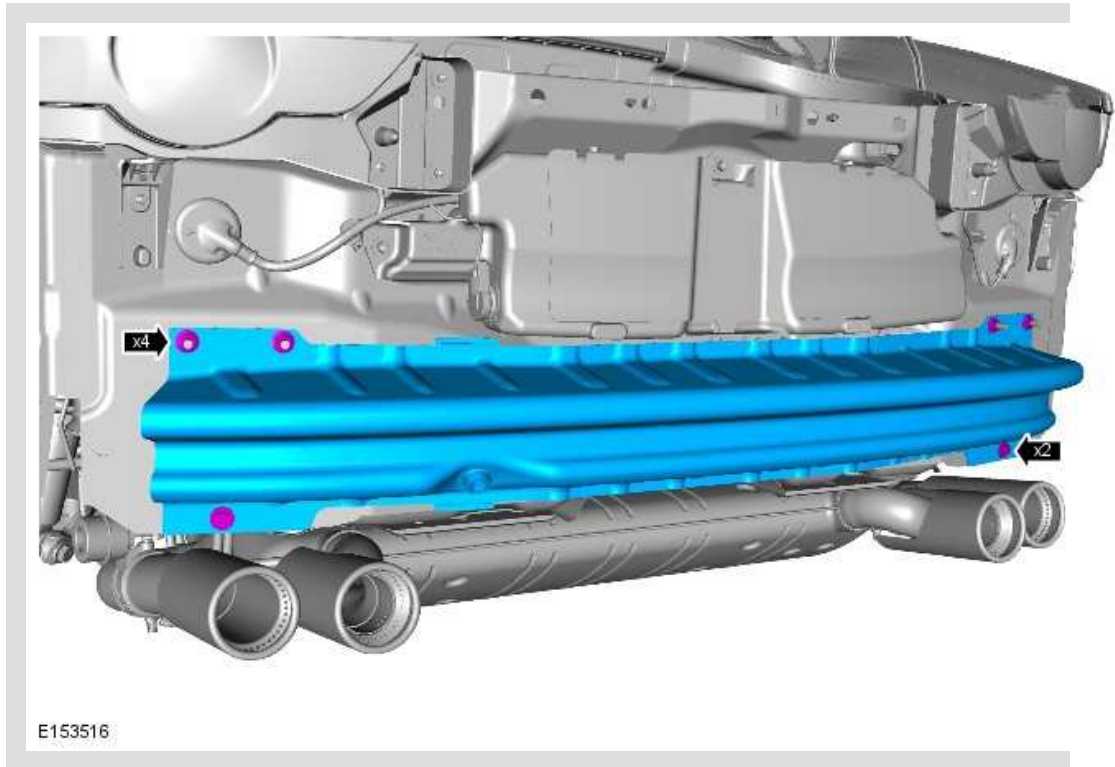
Raise and support the vehicle.

2.

Refer to: [Rear Bumper Cover - Folding Top](#) (501-19 Bumpers, Removal and Installation).

Refer to: [Rear Bumper Cover - Coupe](#) (501-19 Bumpers, Removal and Installation).

3.



Torque:

M8 **15 Nm**

M10 **48 Nm**

INSTALLATION

1. To install, reverse the removal procedure.

REAR BUMPER COVER - FOLDING TOP

REMOVAL AND INSTALLATION

76.22.77	REAR BUMPER COVER - RENEW	CABRIOLET	2.6	USED WITHINS
----------	---------------------------	-----------	-----	--------------

76.22.77	REAR BUMPER COVER - RENEW	CABRIOLET, SVR	3	USED WITHINS
----------	---------------------------	----------------	---	--------------

76.22.77	REAR BUMPER COVER - RENEW	COUPE	2.5	USED WITHINS
----------	---------------------------	-------	-----	--------------

76.22.77	REAR BUMPER COVER - RENEW	PROJECT 7	2.8	USED WITHINS
----------	---------------------------	-----------	-----	--------------

REMOVAL

⚠ CAUTION:

Always protect paintwork and glass when removing exterior components.

⚠ NOTE:

Removal steps in this procedure may contain installation details.

1.

⚠ WARNING:

Make sure to support the vehicle with axle stands.

Raise and support the vehicle.

2.

 NOTE:

The procedure must be carried out on both sides.

Refer to: [Wheel and Tire](#) (204-04 Wheels and Tires, Removal and Installation).

3.

 NOTE:

LH side only.

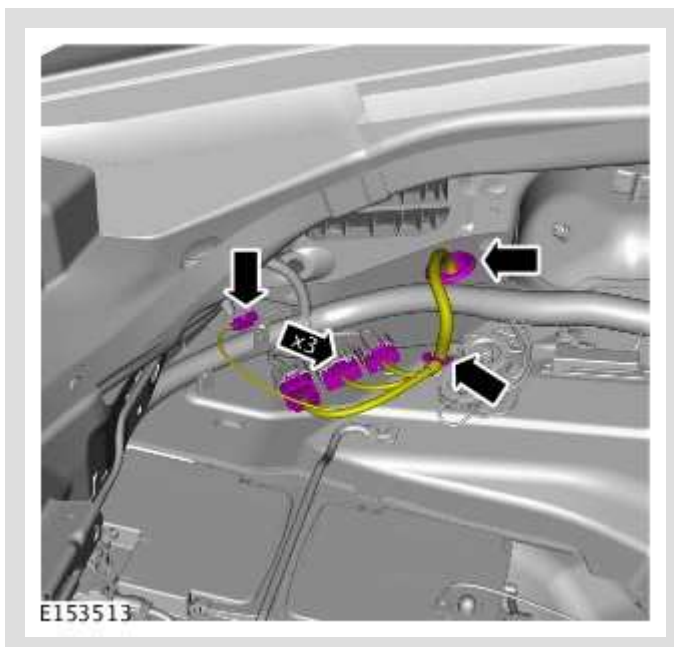
Refer to: [Loadspace Trim Panel - Folding Top](#) (501-05 Interior Trim and Ornamentation, Removal and Installation).

4.

If equipped.

Refer to: [Rocker Panel Moulding](#) (501-08 Exterior Trim and Ornamentation, Removal and Installation).

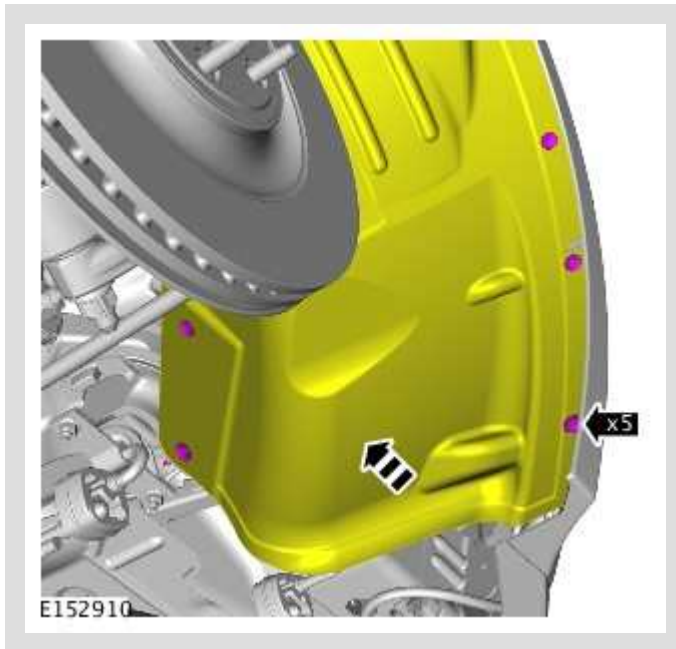
5.



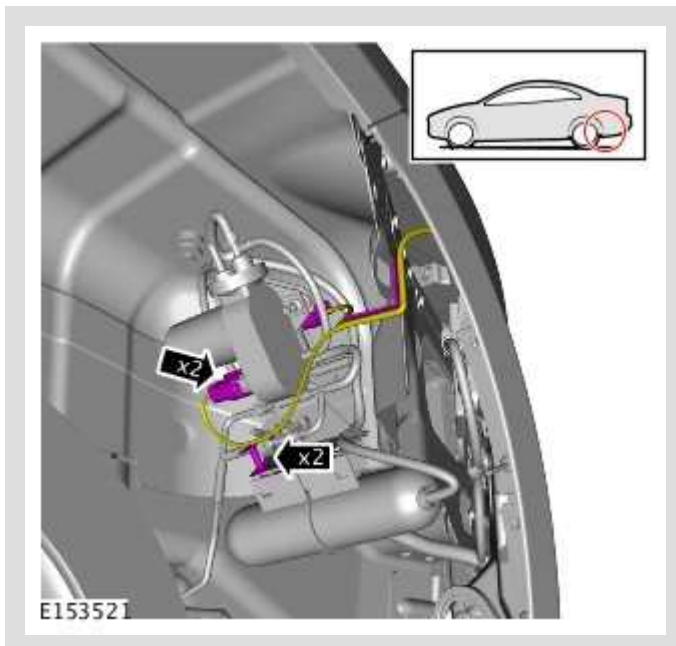
6.

△ NOTE:

The step must be carried out on both sides.



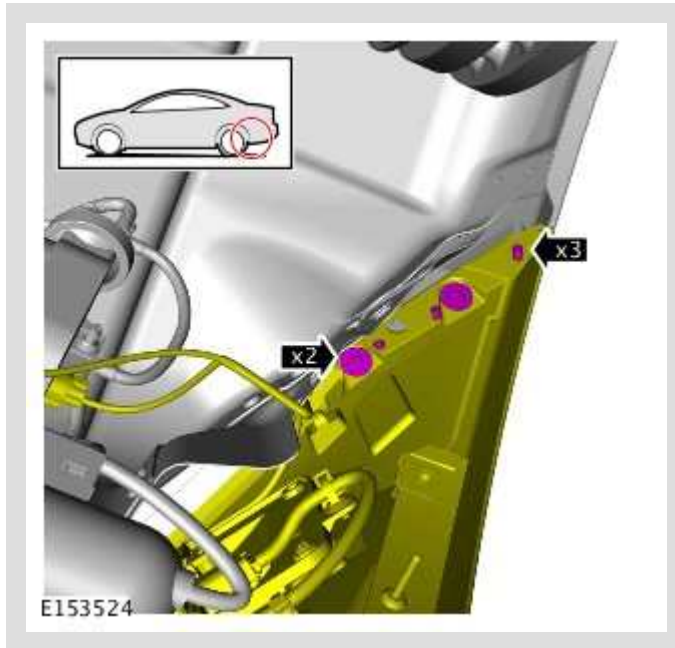
7.



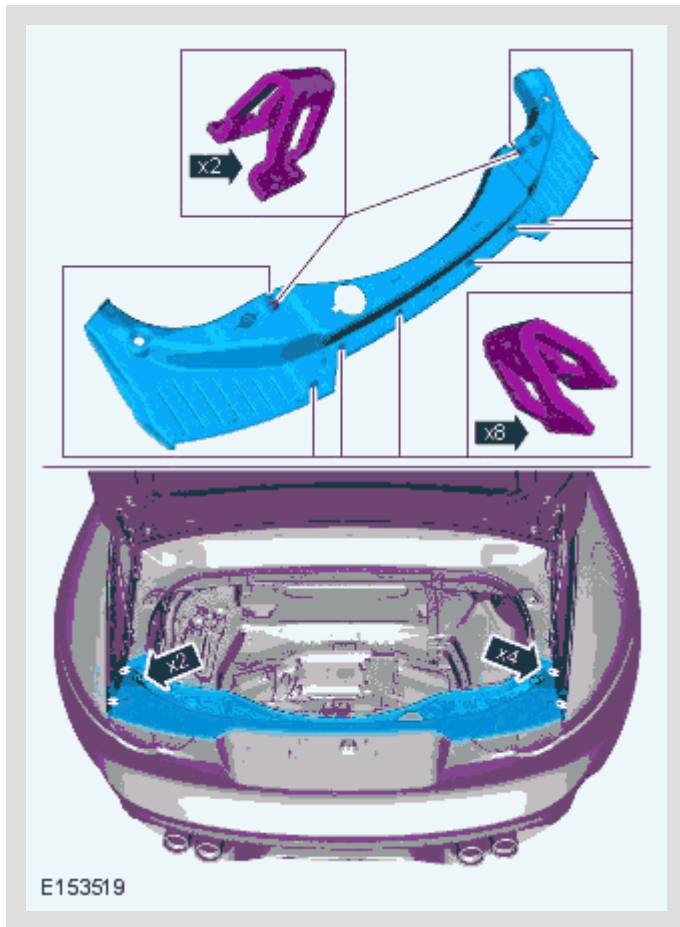
8.

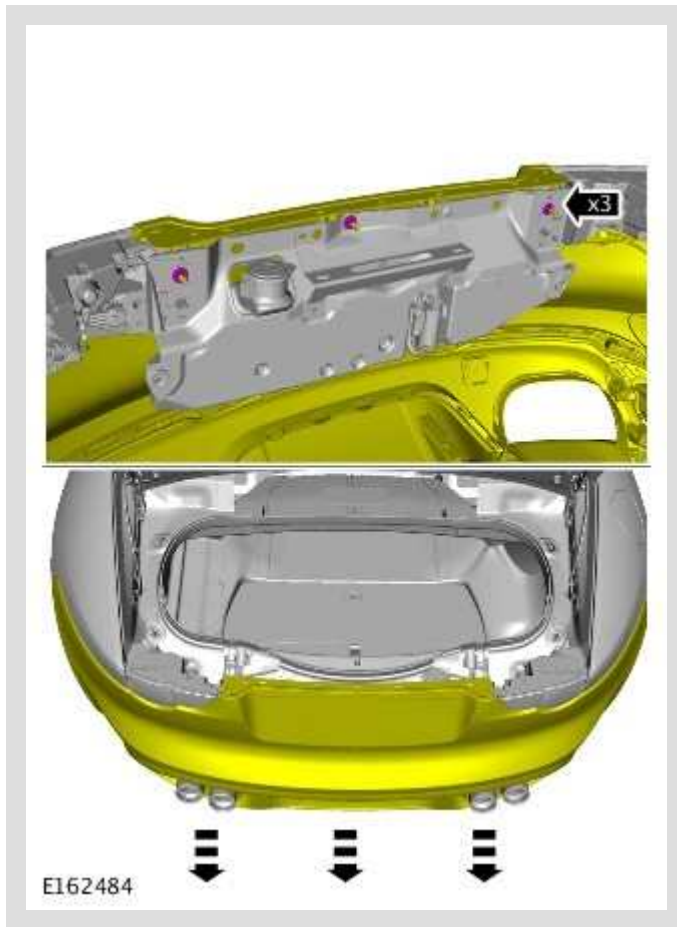
 NOTES:

- The step must be carried out on both sides.
- Make sure that the component is installed to the noted removal position.



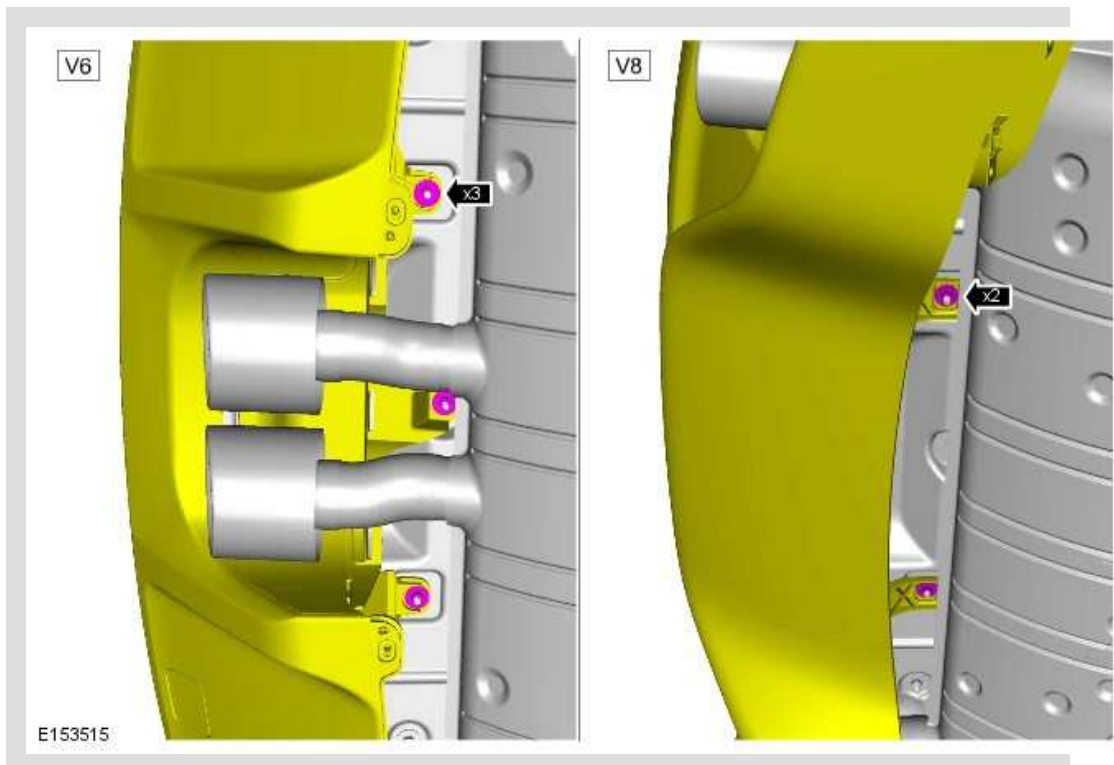
Torque: 4.1 Nm





Torque: 4.1 Nm

11.

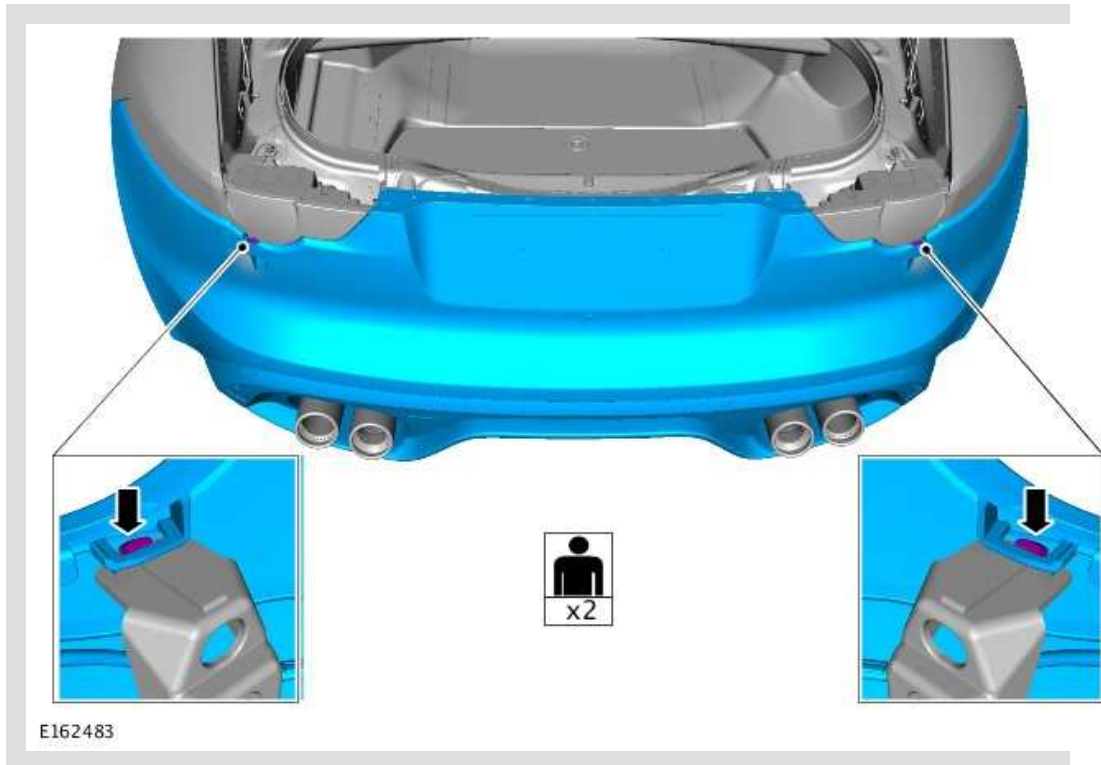


Torque: 4.1 Nm

12.

 NOTE:

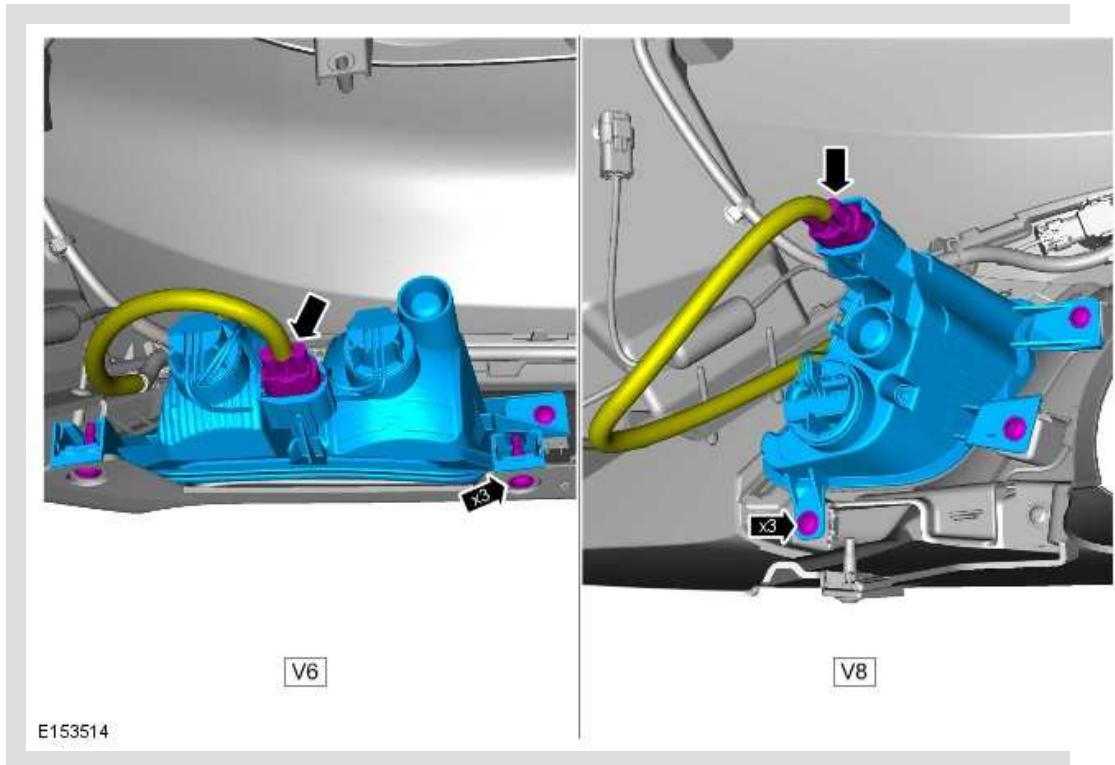
Do not disassemble further if the component is removed for access only.



13.

 NOTE:

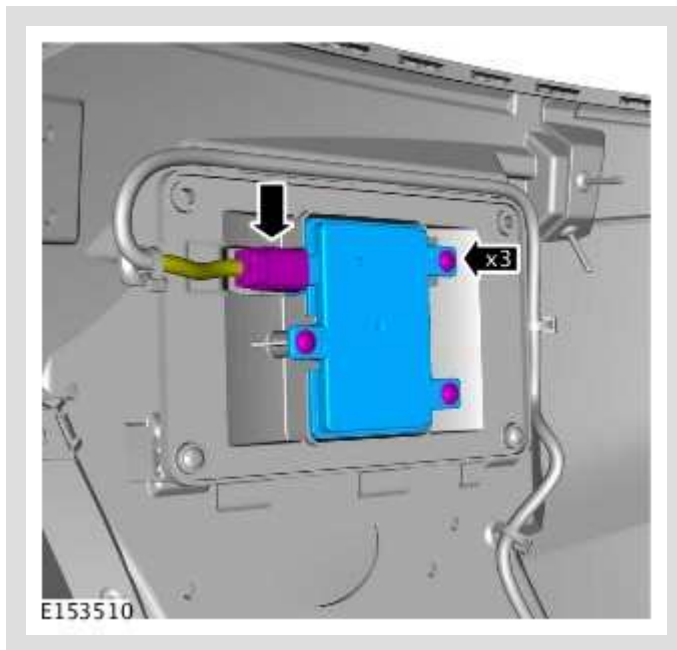
The step must be carried out on both sides.



14.

△ NOTE:

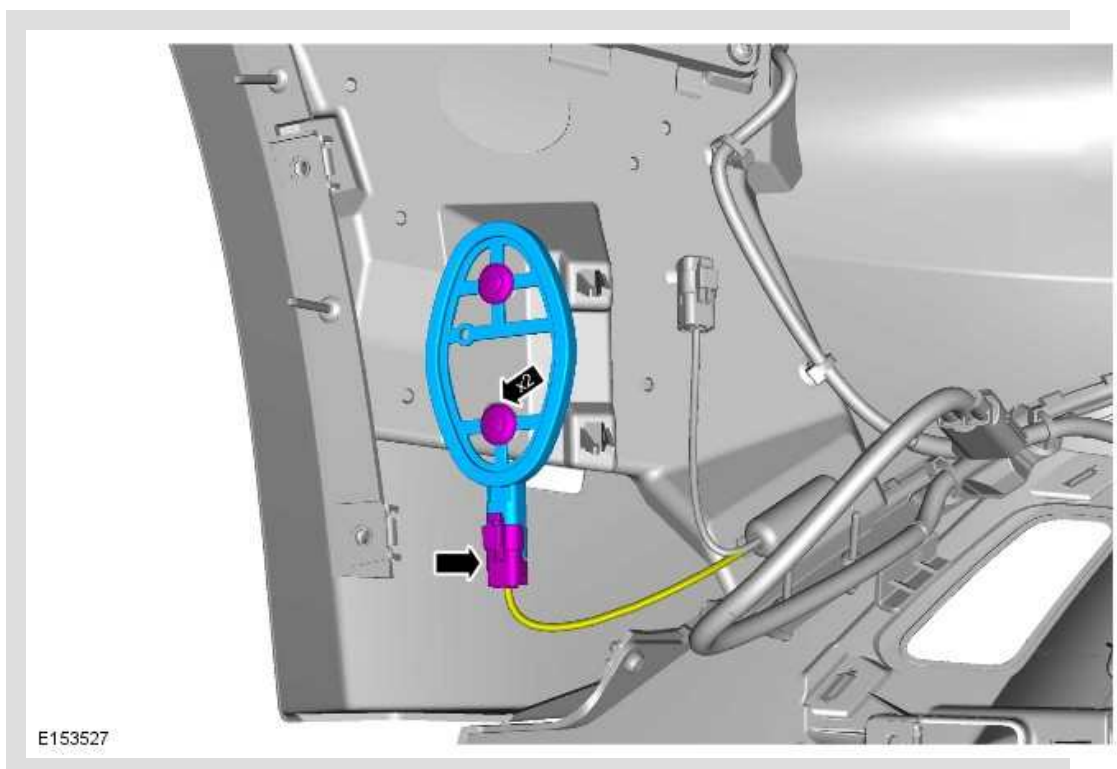
The step must be carried out on both sides.



15.

△ NOTE:

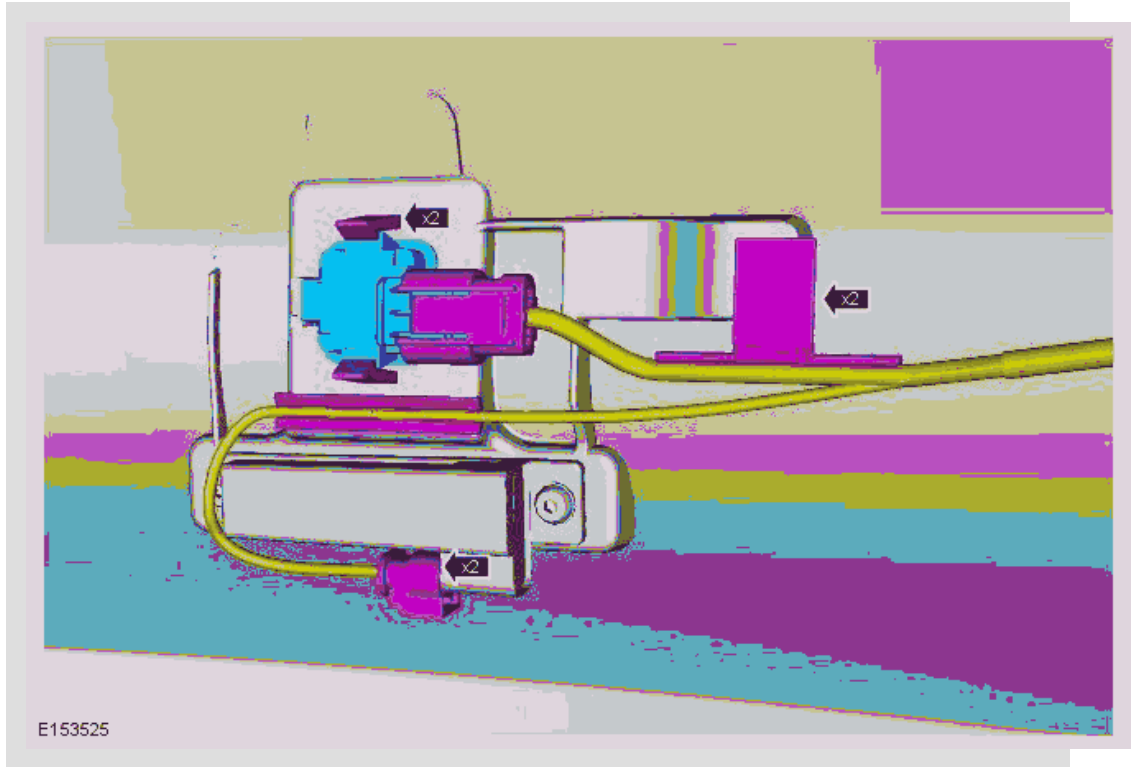
The step must be carried out on both sides.



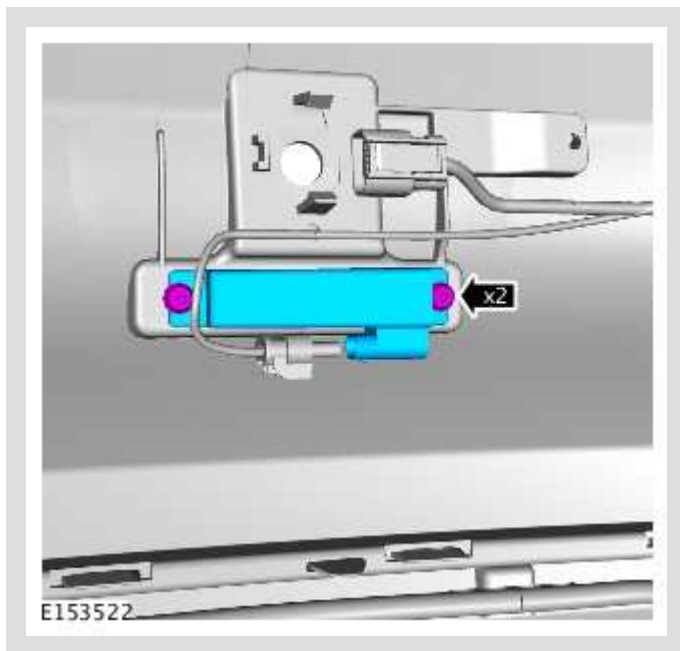
16.

△ NOTE:

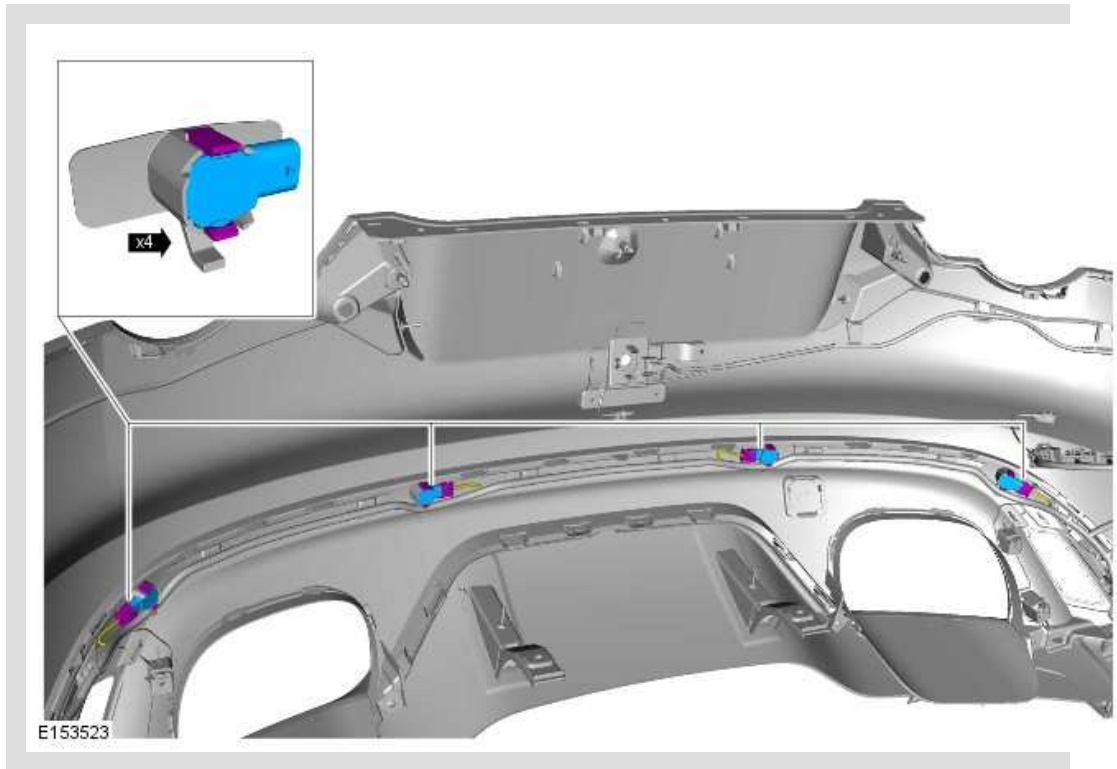
If equipped.



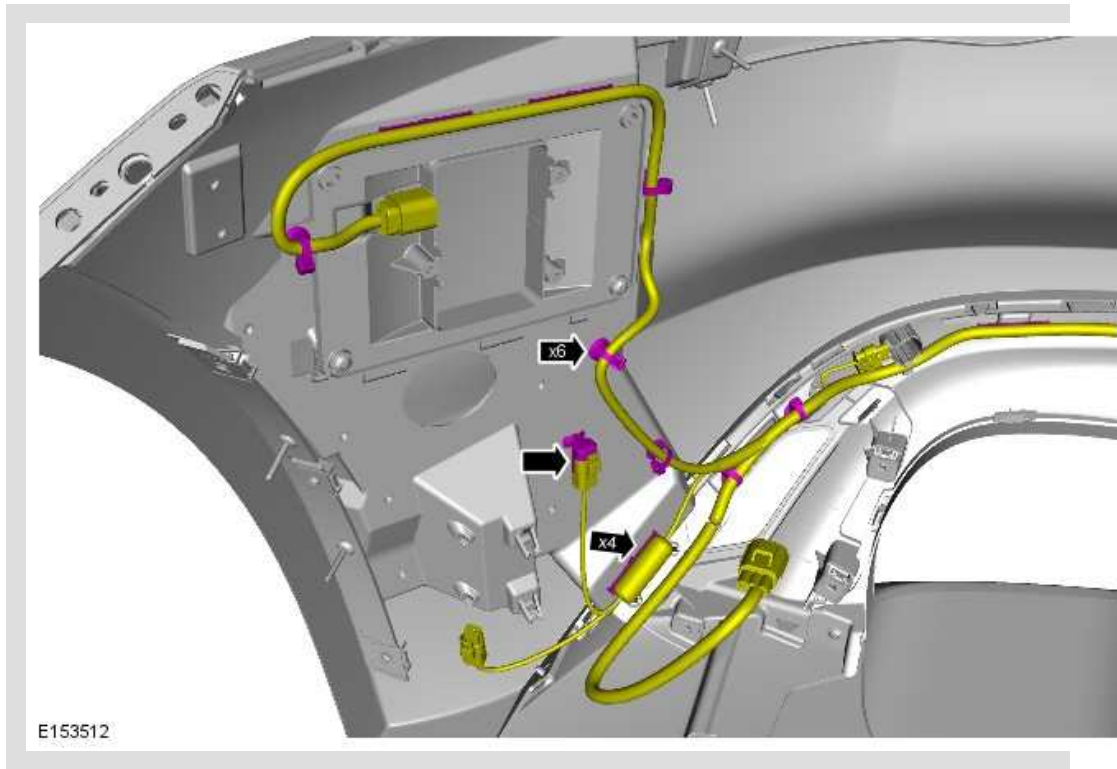
17.



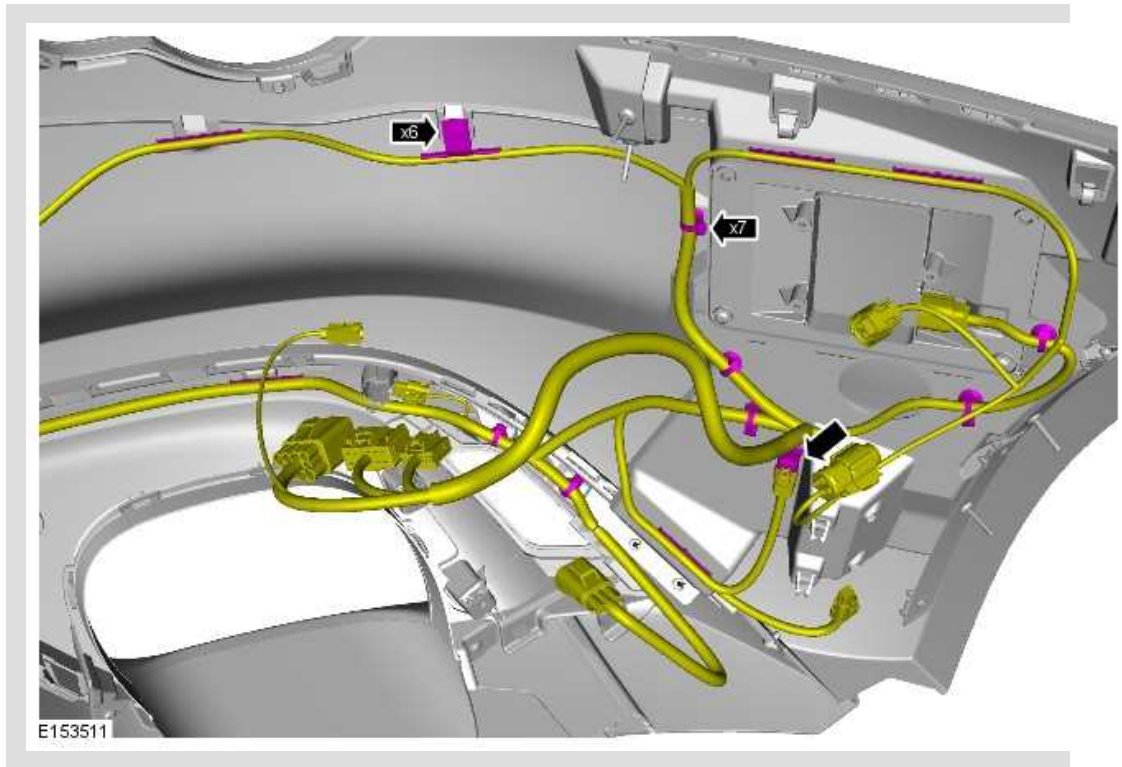
18.



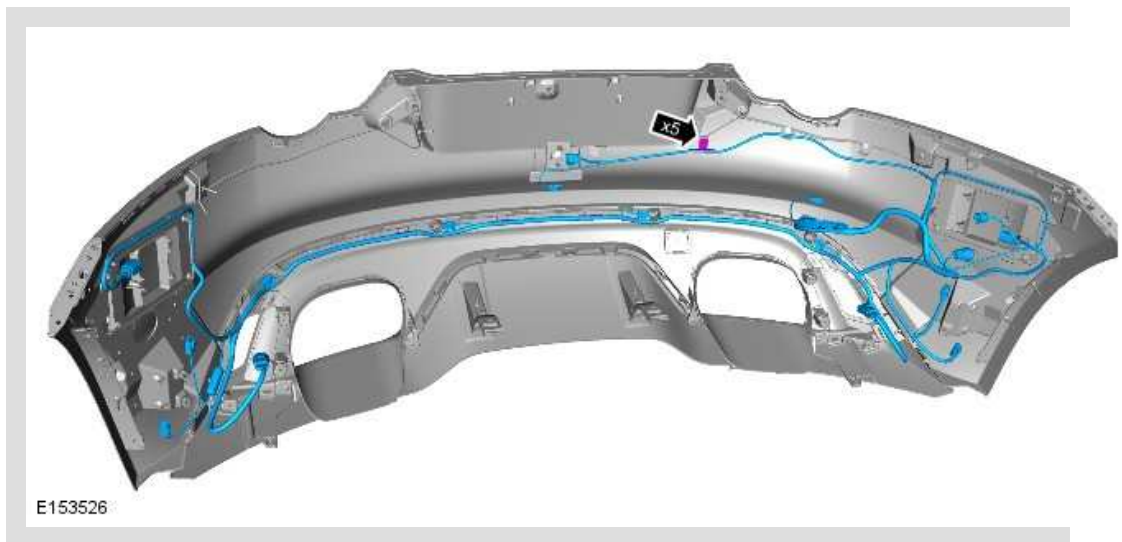
19.



20.



21.



INSTALLATION

1. To install, reverse the removal procedure.

REAR BUMPER COVER - COUPE

REMOVAL AND INSTALLATION

76.22.77	REAR BUMPER COVER - RENEW	CABRIOLET	2.6	USED WITHINS	
76.22.77	REAR BUMPER COVER - RENEW	CABRIOLET, SVR	3	USED WITHINS	
76.22.77	REAR BUMPER COVER - RENEW	COUPE	2.5	USED WITHINS	
76.22.77	REAR BUMPER COVER - RENEW	PROJECT 7	2.8	USED WITHINS	

REMOVAL

ⓘ CAUTION:

Always protect paintwork and glass when removing exterior components.

 **NOTE:**

Removal steps in this procedure may contain installation details.

1.

 **WARNING:**

Make sure to support the vehicle with axle stands.

Raise and support the vehicle.

2.

 **NOTE:**

The procedure must be carried out on both sides.

Refer to: [Wheel and Tire](#) (204-04 Wheels and Tires, Removal and Installation).

3.

 **NOTE:**

LH side only.

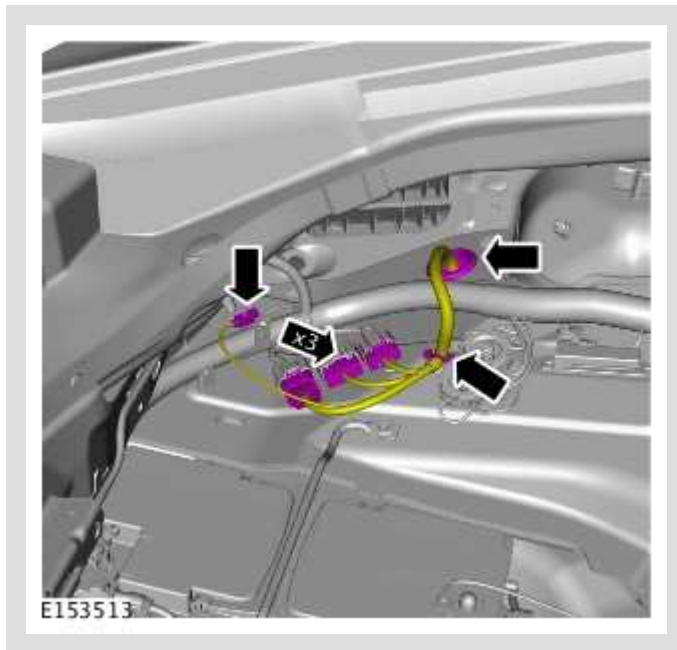
Refer to: [Loadspace Trim Panel - Coupe](#) (501-05 Interior Trim and Ornamentation, Removal and Installation).

4.


If equipped.

Refer to: [Rear Diffuser](#) (501-08, Removal and Installation).

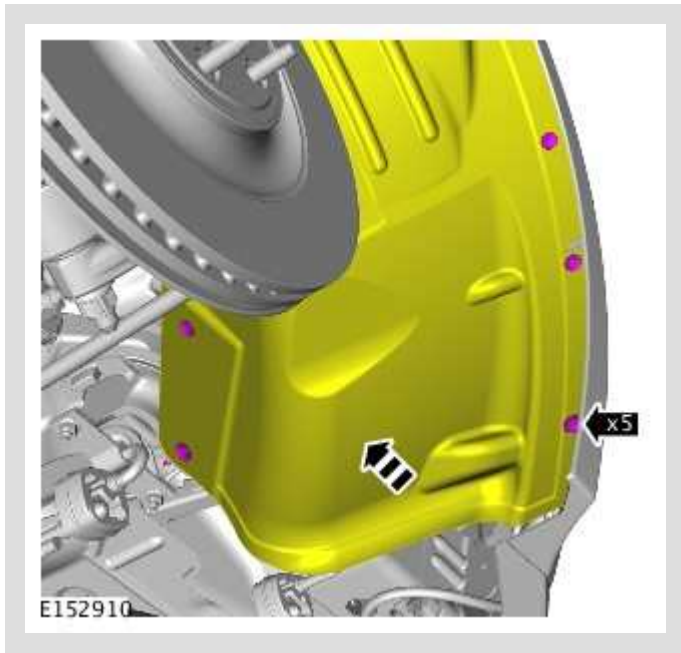
5.



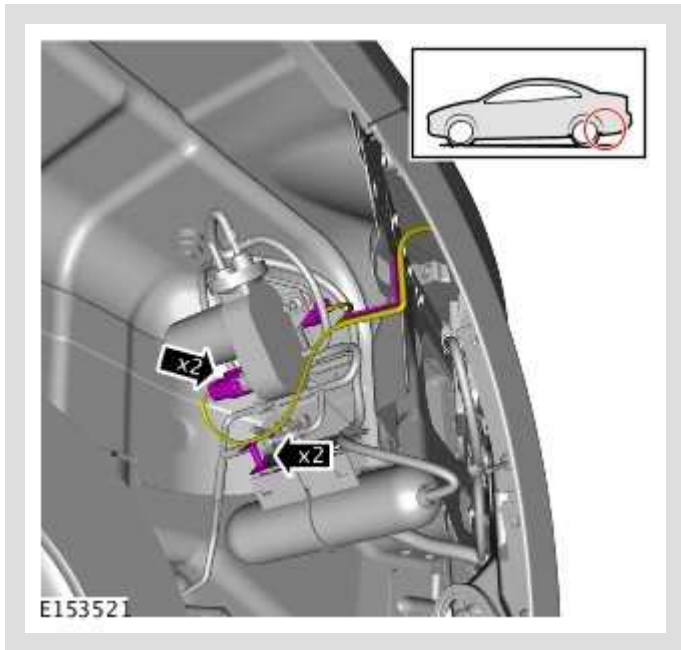
6.

 **NOTE:**

The step must be carried out on both sides.



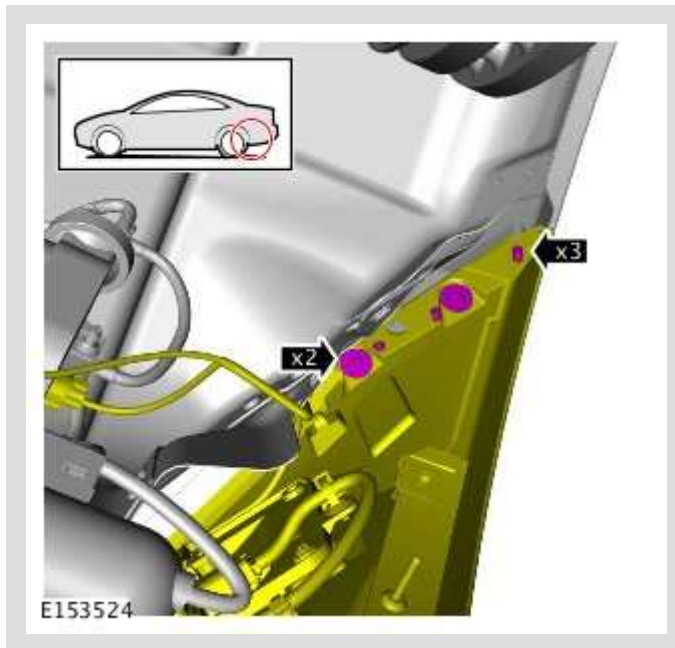
7.



8.

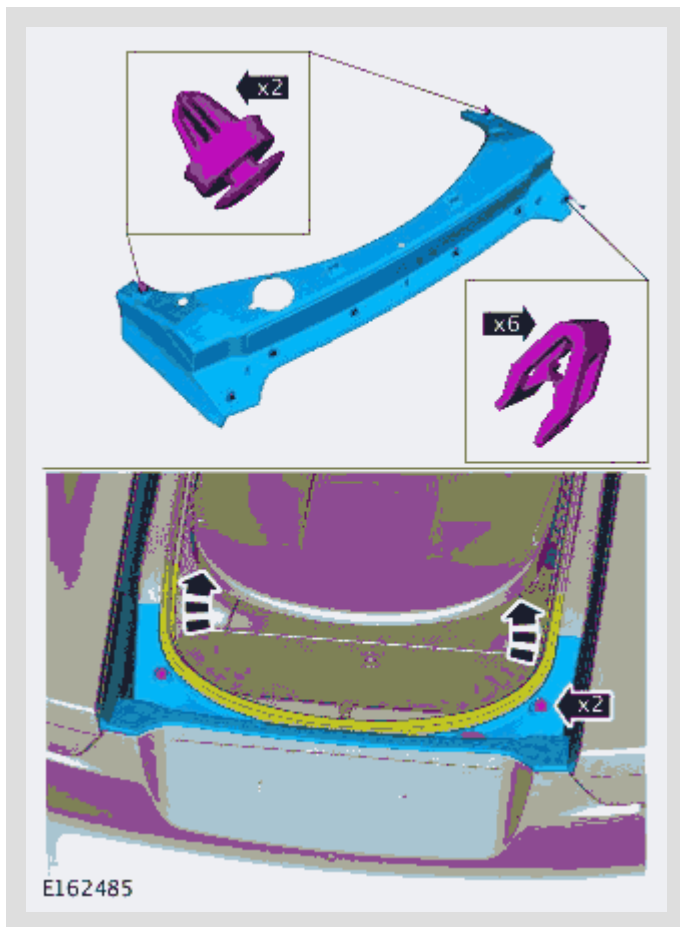
 **NOTES:**

- The step must be carried out on both sides.
- Make sure that the component is installed to the noted removal position.



Torque: 4.1 Nm

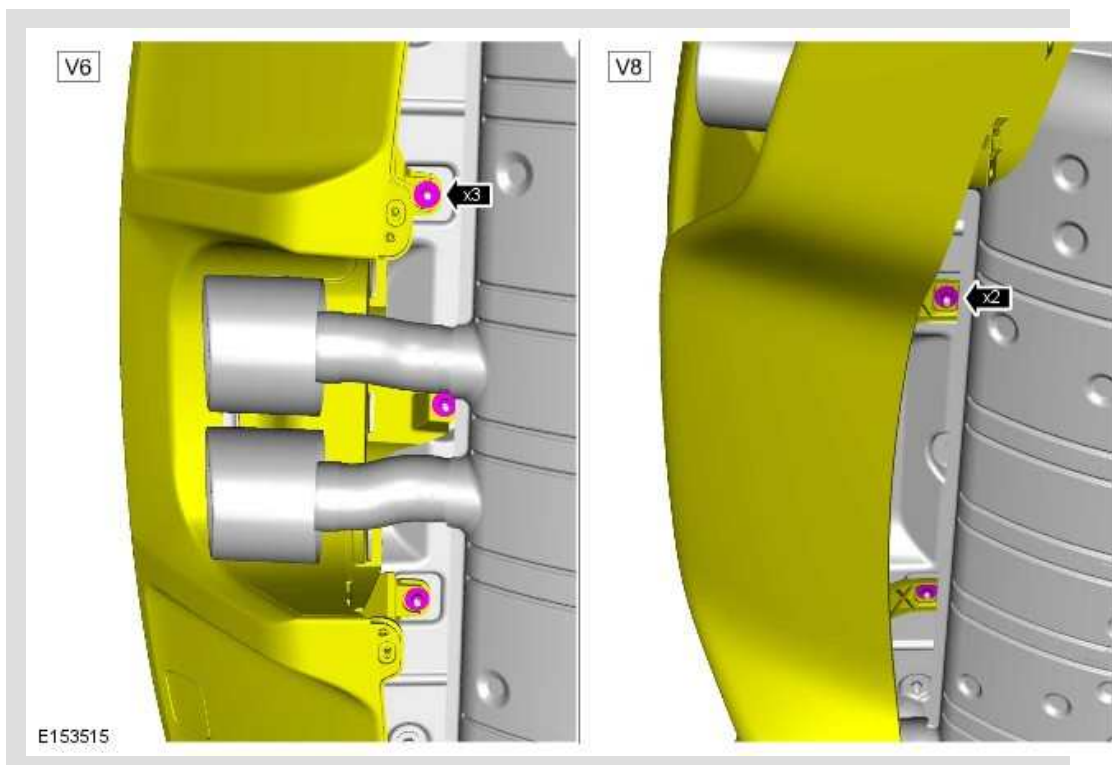
9.





Torque: 4.1 Nm

11.

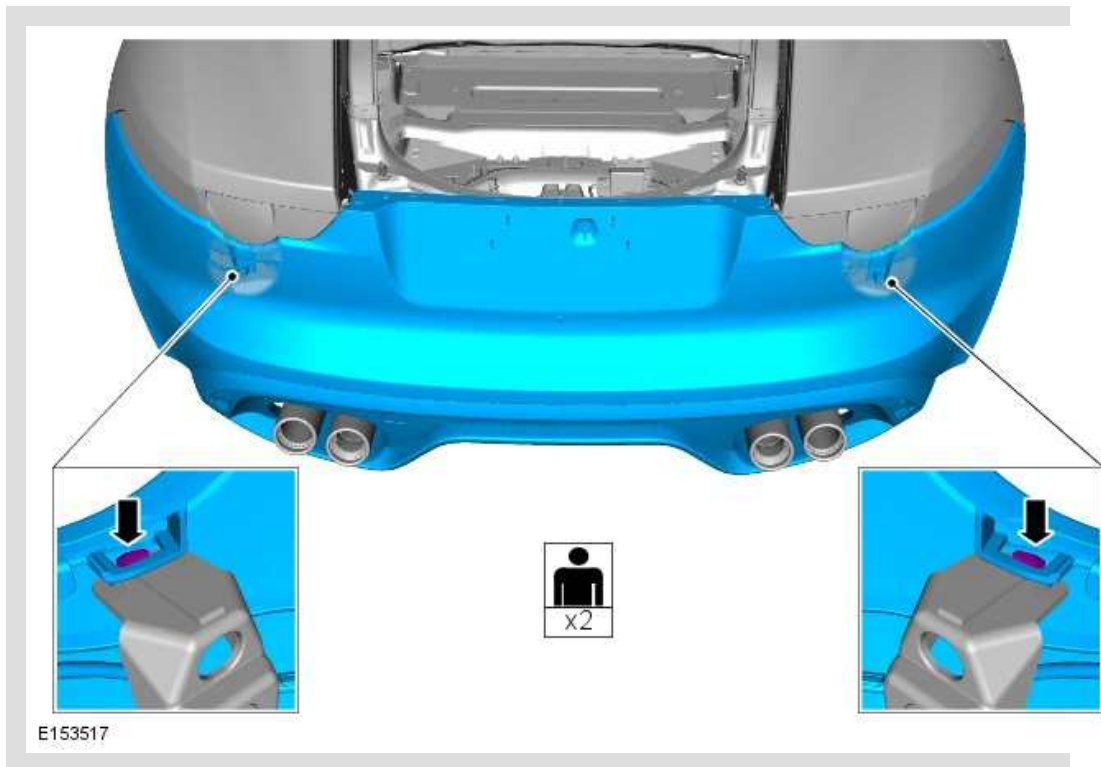


Torque: 4.1 Nm

12.

 NOTE:

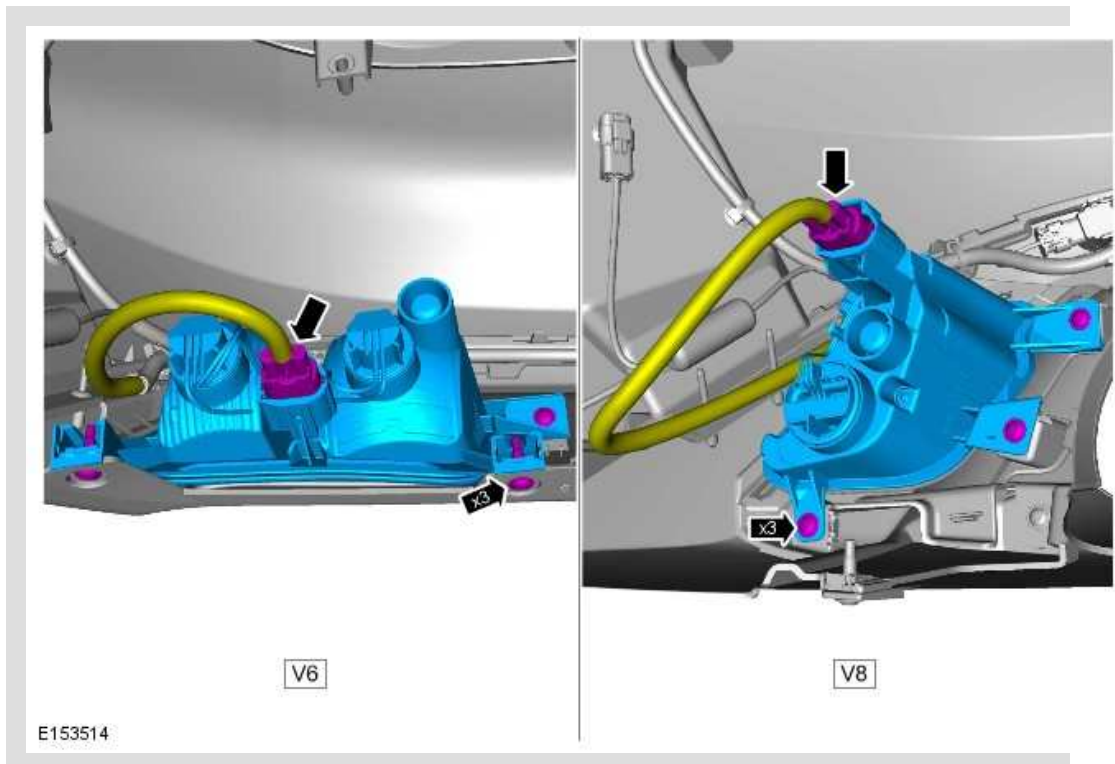
Do not disassemble further if the component is removed for access only.



13.

 NOTE:

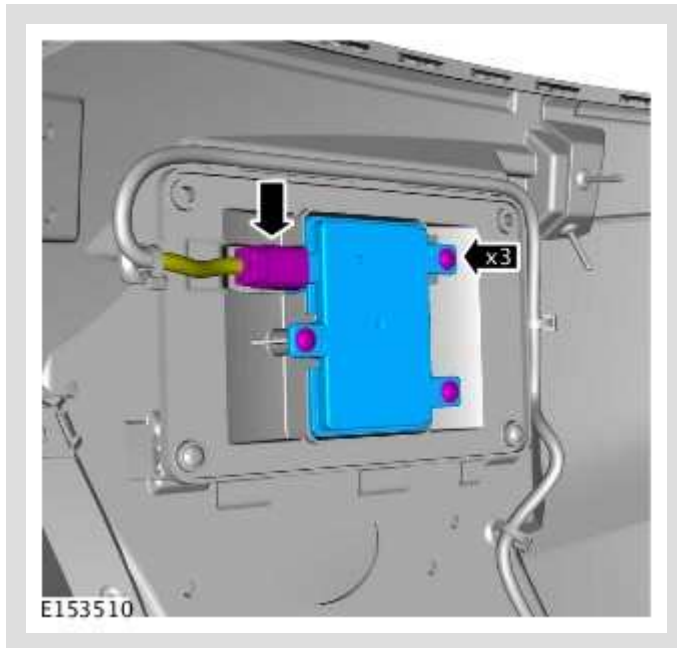
The step must be carried out on both sides.



14.

△ NOTE:

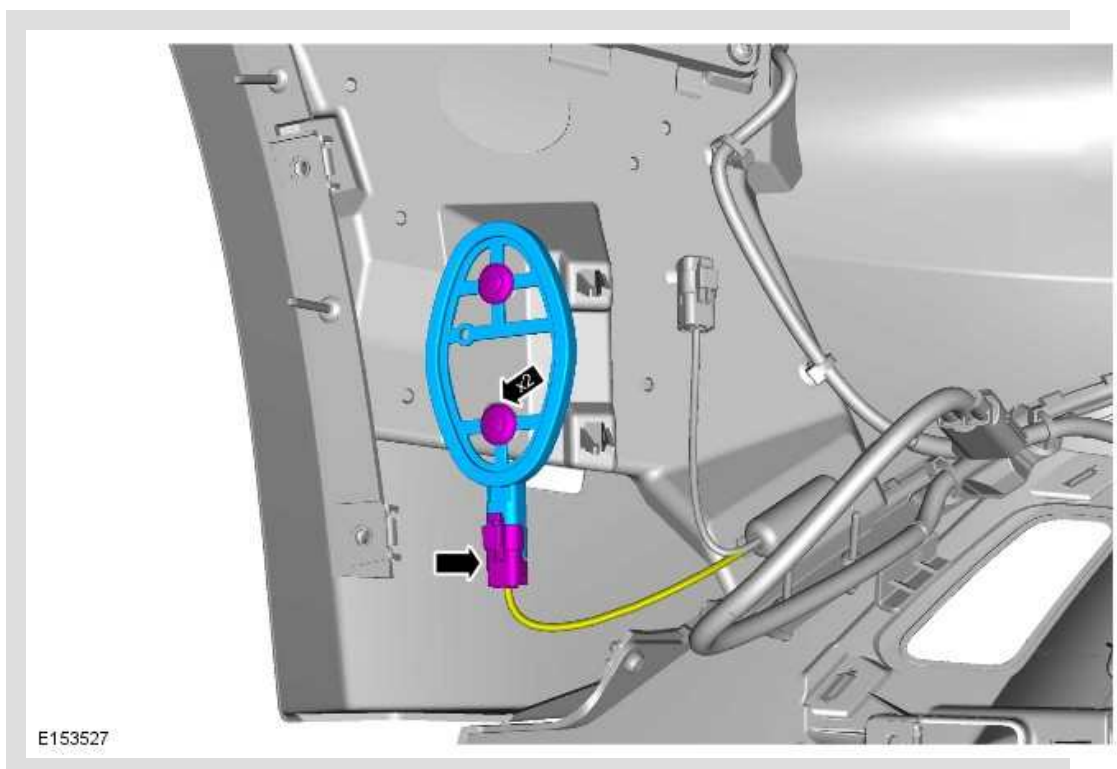
The step must be carried out on both sides.



15.

△ NOTE:

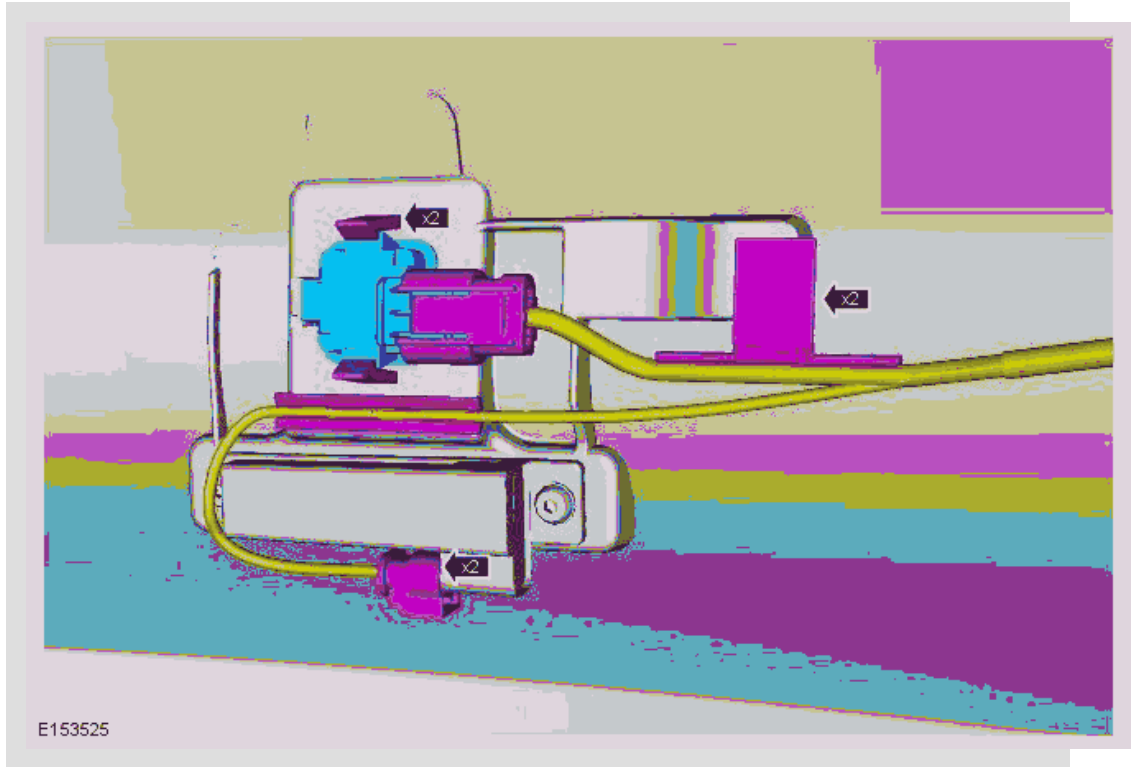
The step must be carried out on both sides.



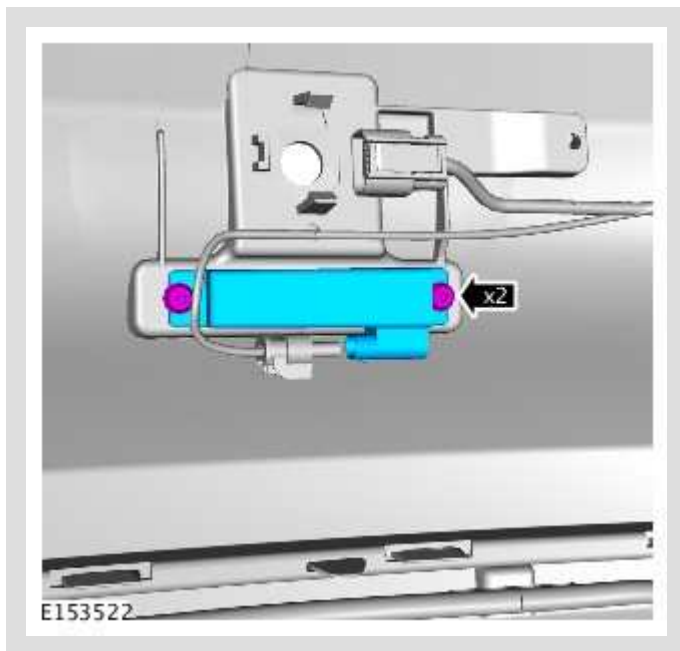
16.

△ NOTE:

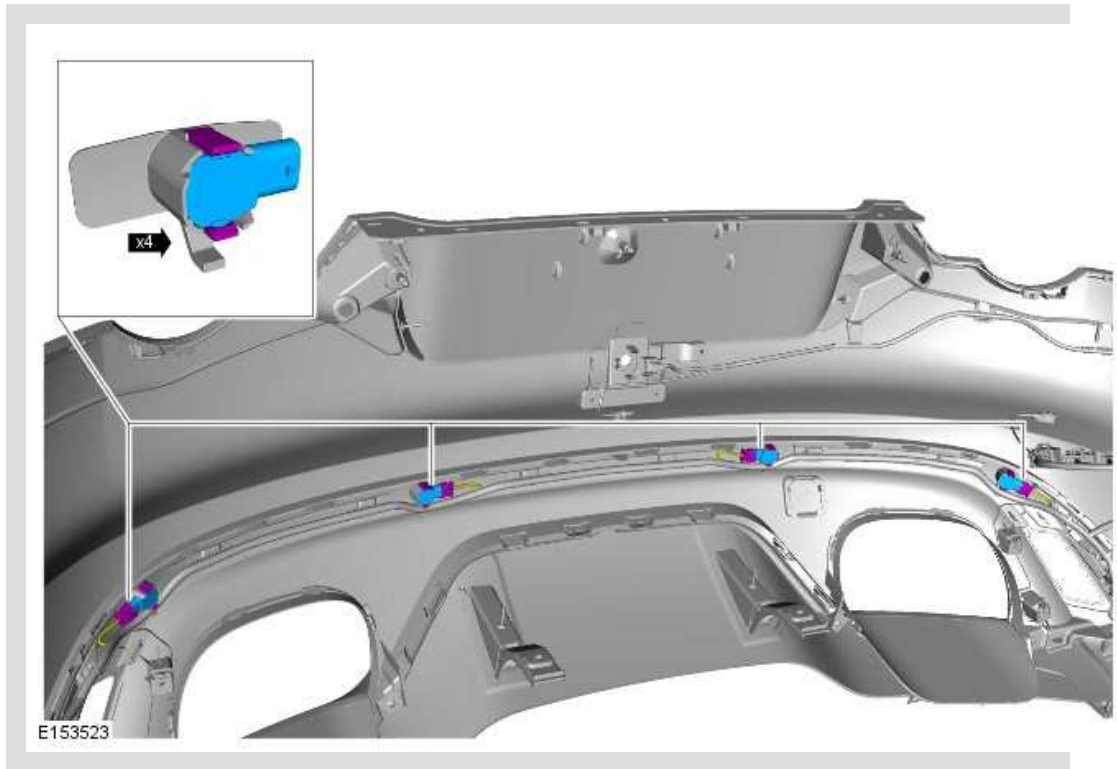
If equipped.



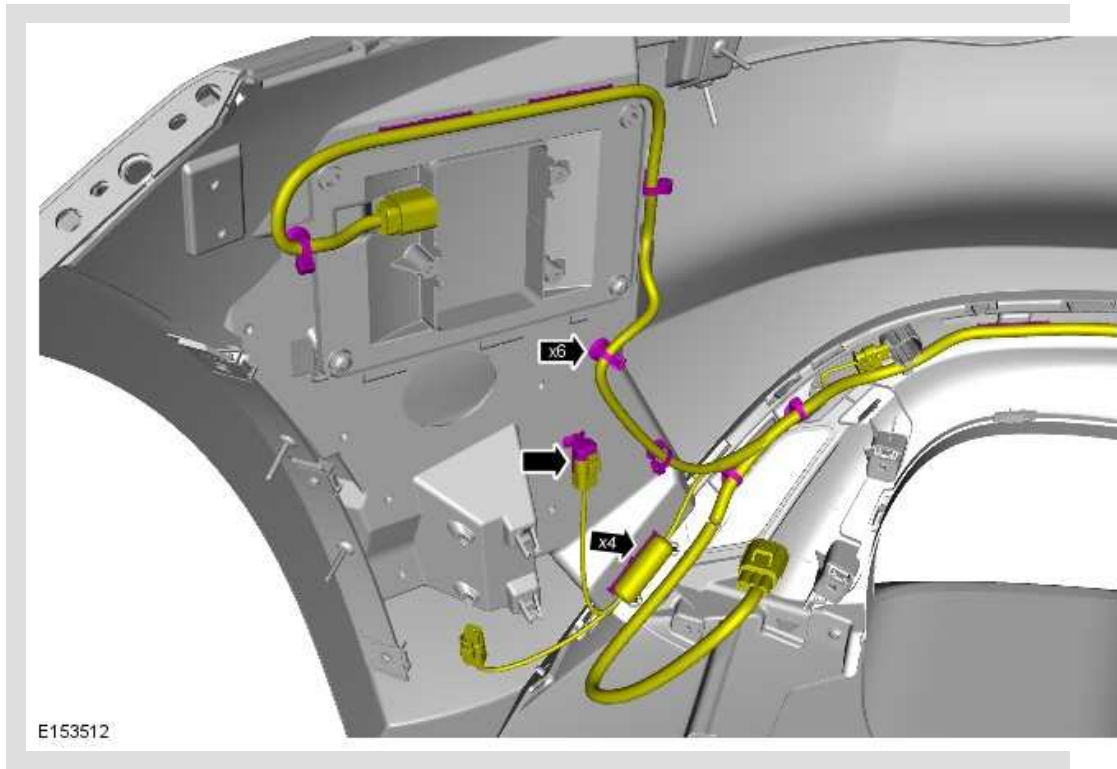
17.



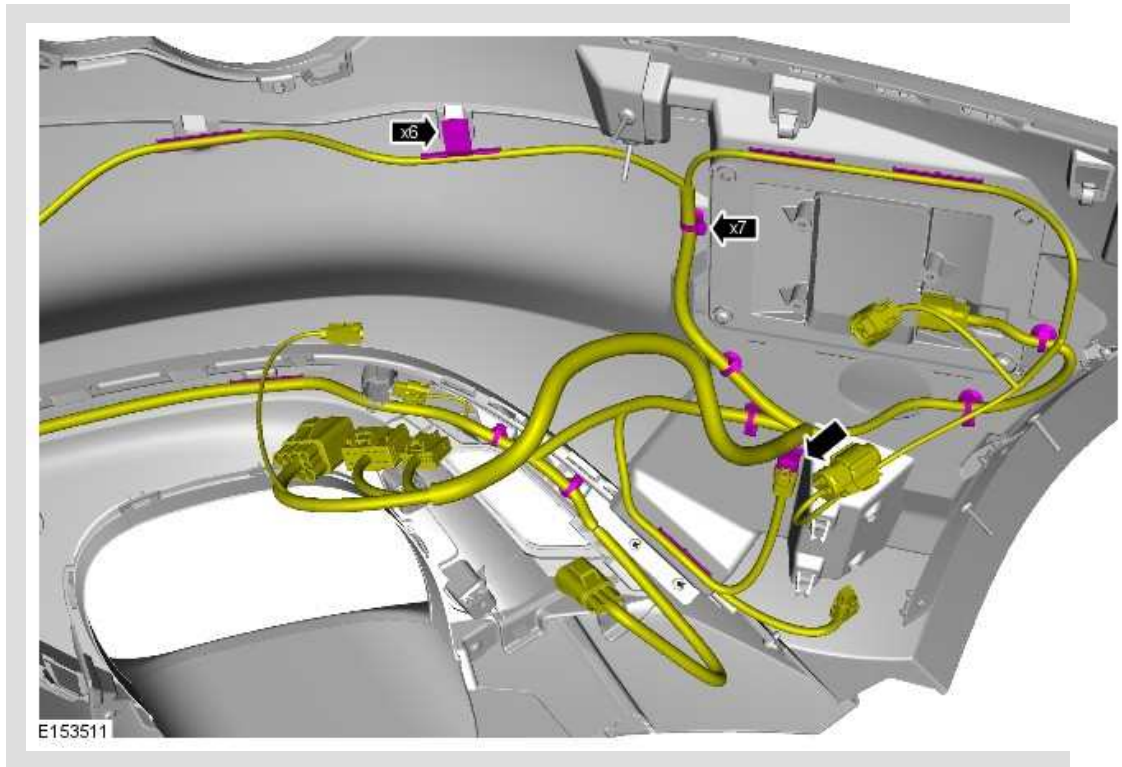
18.



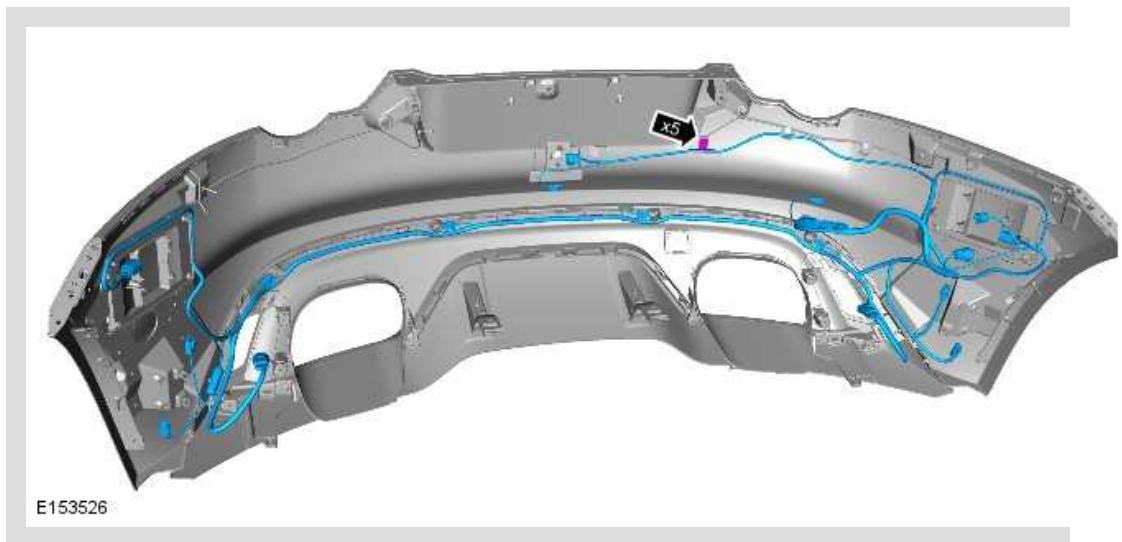
19.



20.



21.



INSTALLATION

1. To install, reverse the removal procedure.