

2015.0 F-TYPE (X152), 501-14

HANDLES, LOCKS, LATCHES AND ENTRY SYSTEMS

HOOD LATCH (G1584177)

REMOVAL AND INSTALLATION

76.16.43	BONNET (ENGINE COMPARTMENT COVER) LATCH - RENEW	ALL DERIVATIVES	0.3	USED WITHINS
----------	---	--------------------	-----	-----------------

REMOVAL

1.



NOTES:

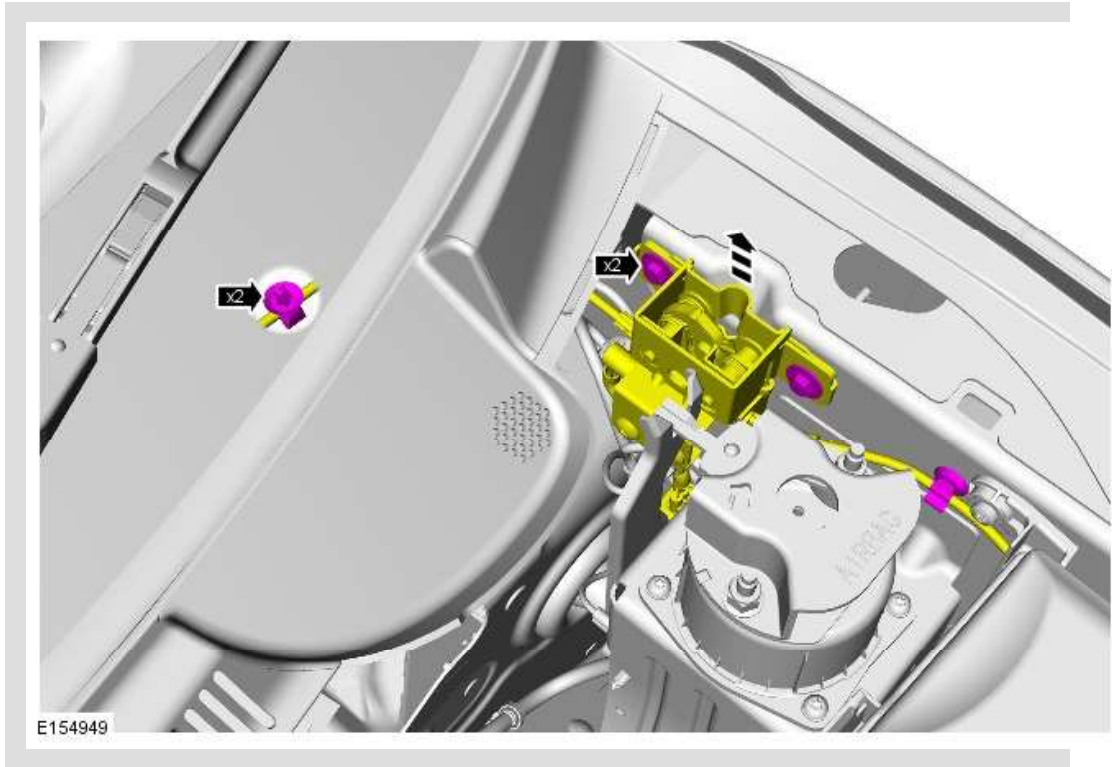
- Some components shown removed for clarity.
- Removal steps in this procedure may contain installation details.
- Some variation in the illustrations may occur, but the essential information is always correct.

2.

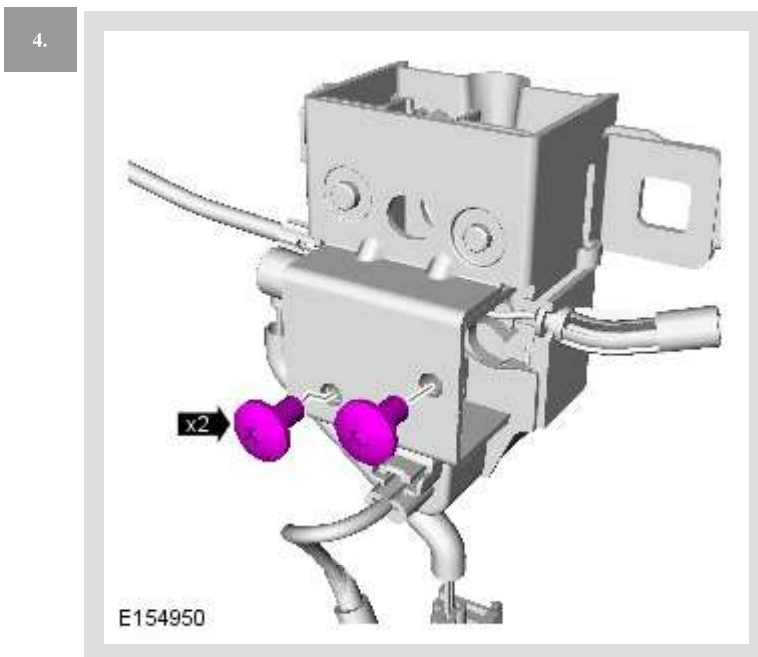
Disconnect the battery ground cable.

Refer to: [Battery Disconnect and Connect](#) (414-01 Battery, Mounting and Cables, General Procedures).

3.

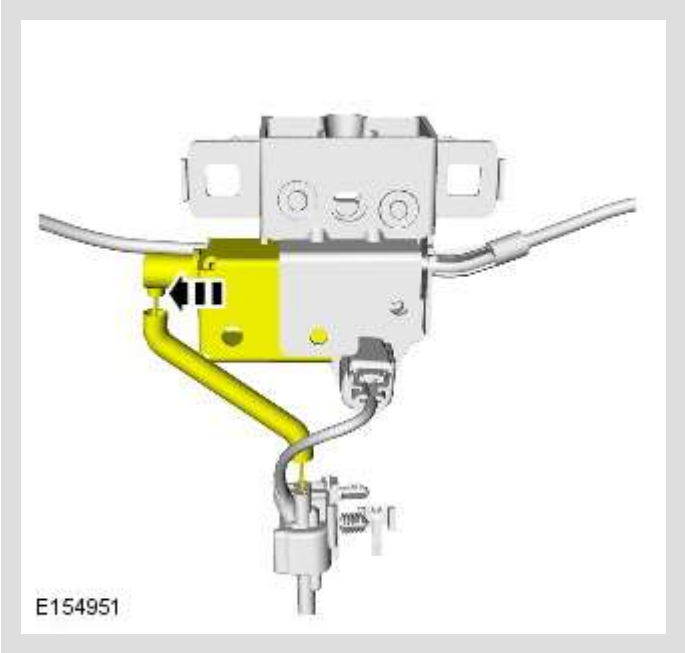


Torque: 9 Nm

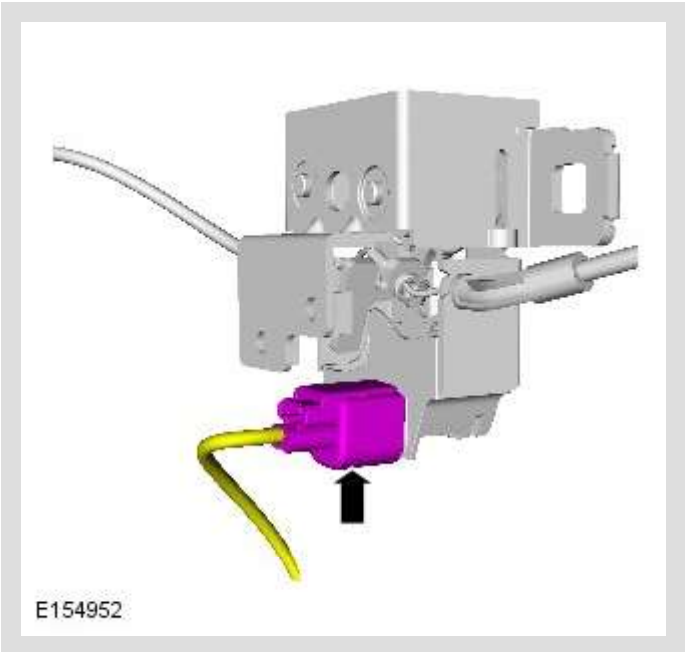


Remove and discard the 2 Torx bolts.

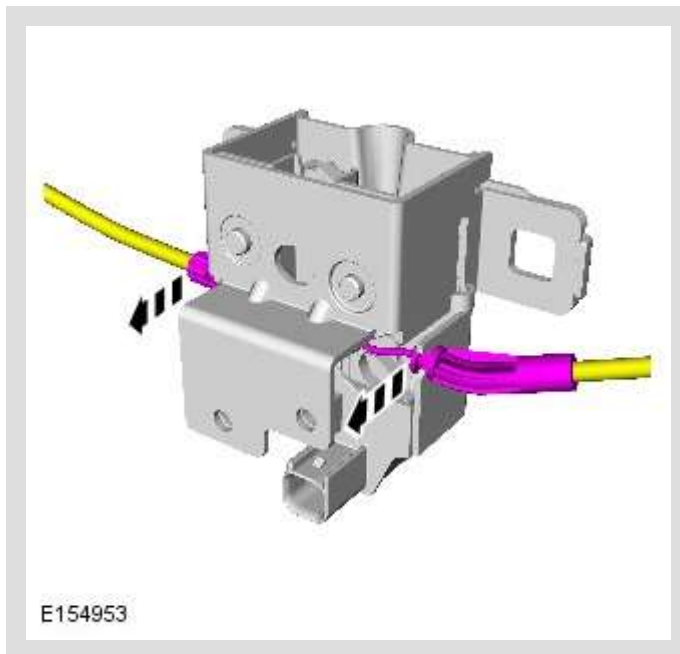
5.



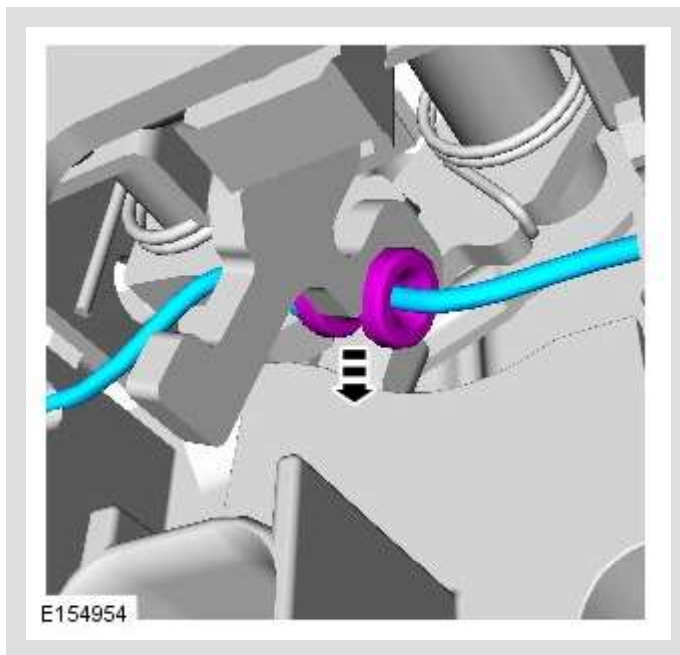
6.



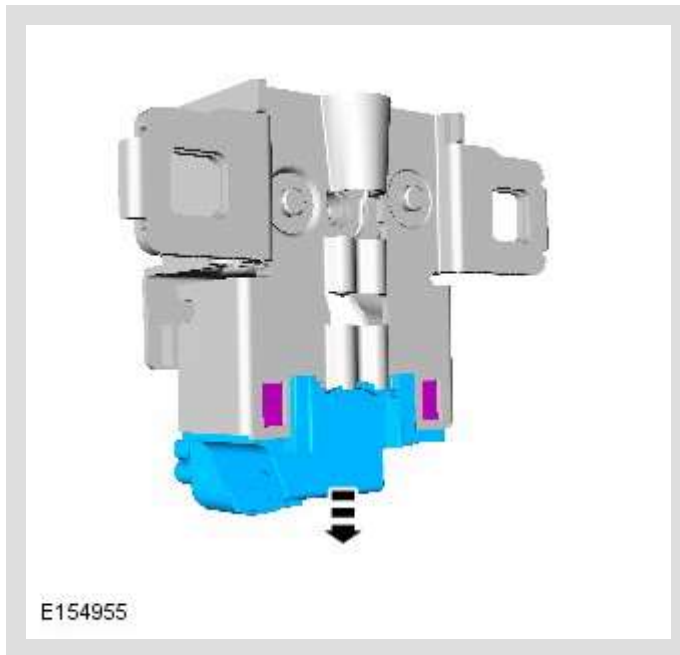
7.



8.



9.



INSTALLATION

1. To install, reverse the removal procedure.

2015.0 F-TYPE (X152), 414-01

BATTERY, MOUNTING AND CABLES

BATTERY DISCONNECT AND CONNECT (G1579511)

GENERAL PROCEDURES

86.15.15	BATTERY DISCONNECTION AND RECONNECTION PROCEDURE	ALL DERIVATIVES	0.2	USED WITHINS
----------	--	--------------------	-----	-----------------