

CLIMATE CONTROL

POLLEN FILTER (G1584048)

REMOVAL AND INSTALLATION

76.10.09

POLLEN
FILTER -
RENEW

ALL
DERIVATIVES

0.1

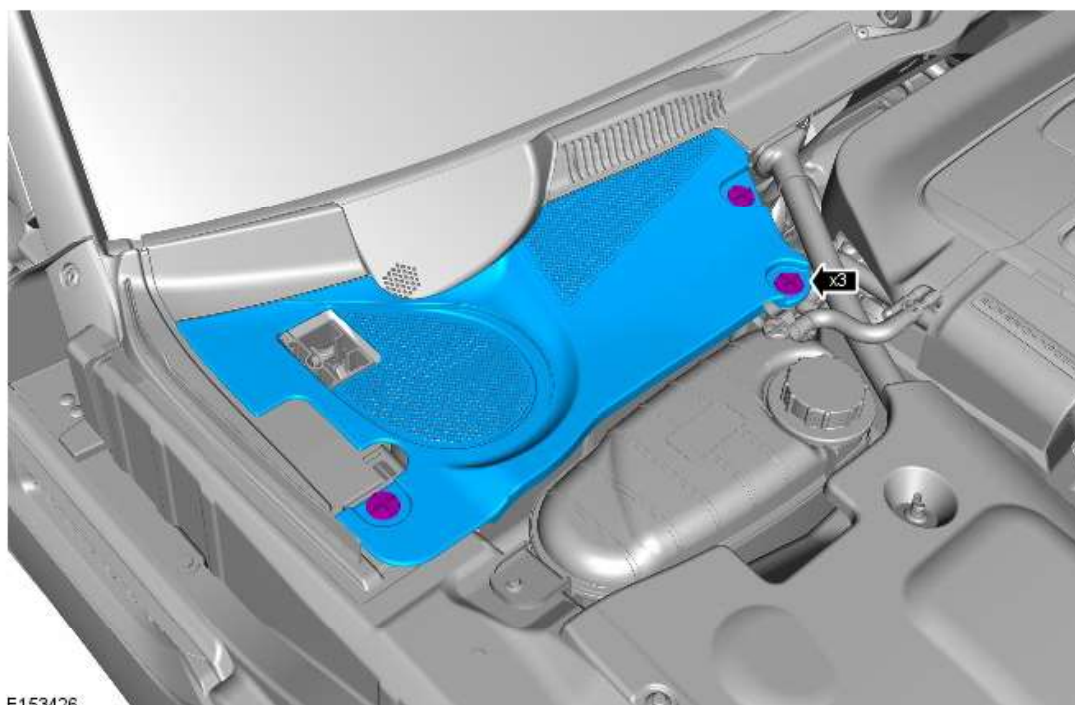
USED
WITHINS

REMOVAL

NOTE:

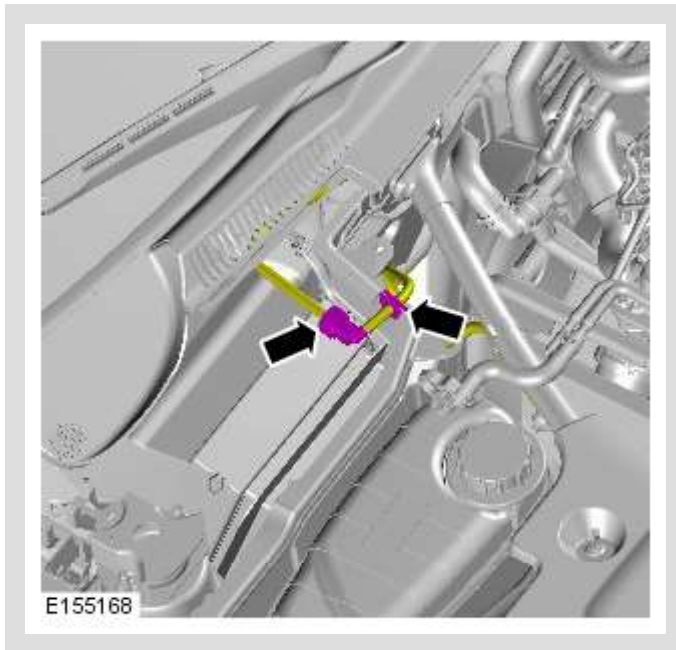
Removal steps in this procedure may contain installation details.

1.

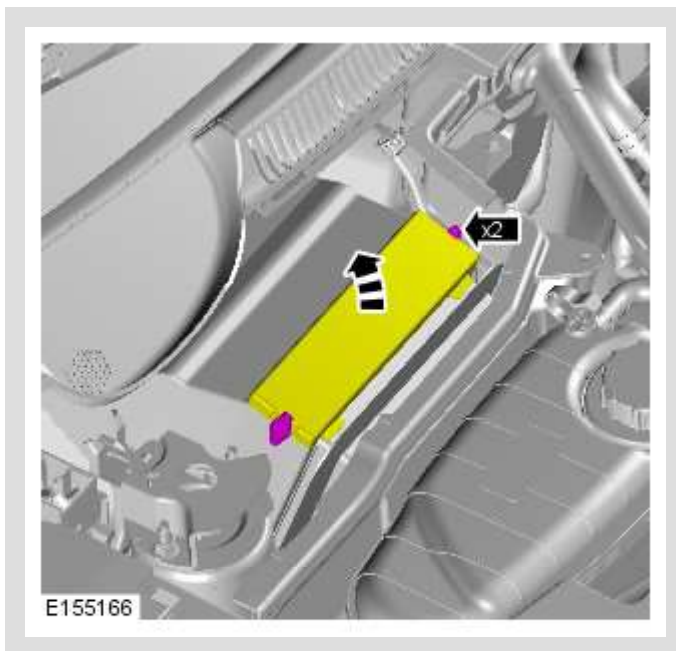


E153426

2.



3.



4.

ⓘ CAUTION:

Remove any debris from the filter aperture.



INSTALLATION

1. To install, reverse the removal procedure.