

INTERIOR TRIM AND ORNAMENTATION

LIFTGATE LOWER TRIM PANEL - COUPE (G1702316)

REMOVAL AND INSTALLATION

REMOVAL

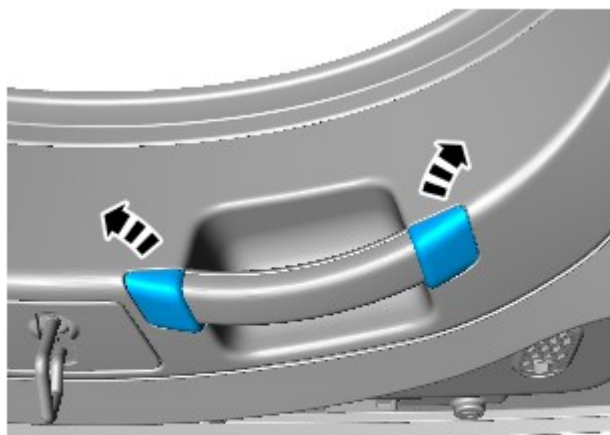
⚠ CAUTION:

Care must be taken not to damage the components.

△ NOTE:

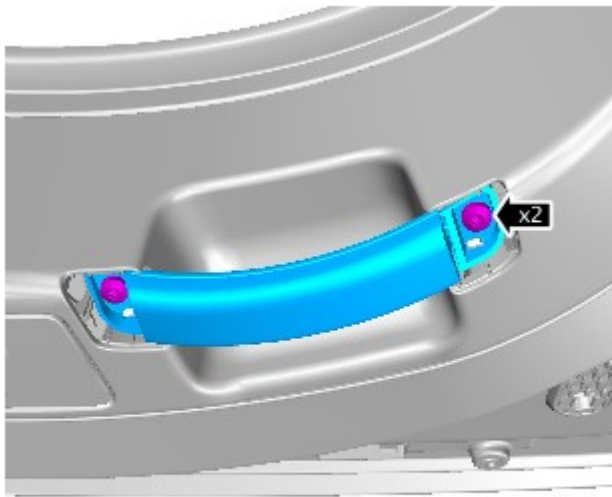
Removal steps in this procedure may contain installation details.

1.



E161720

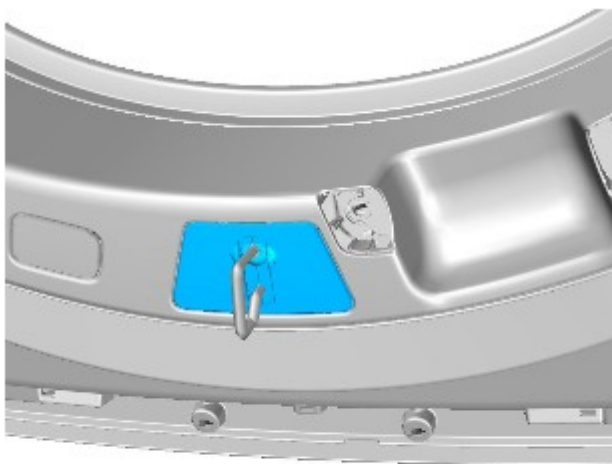
2.



E161721

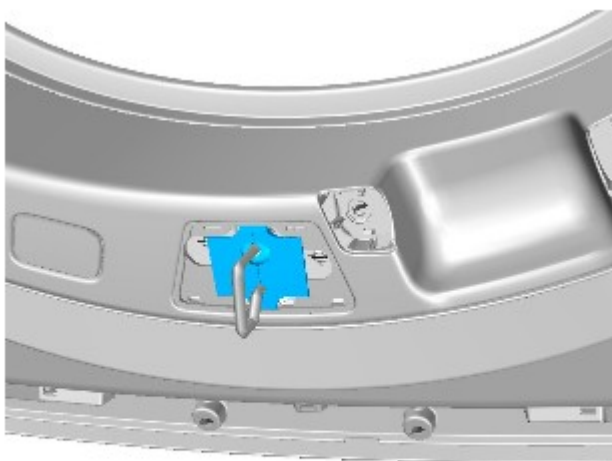
*Torque: 5.4 Nm*

3.



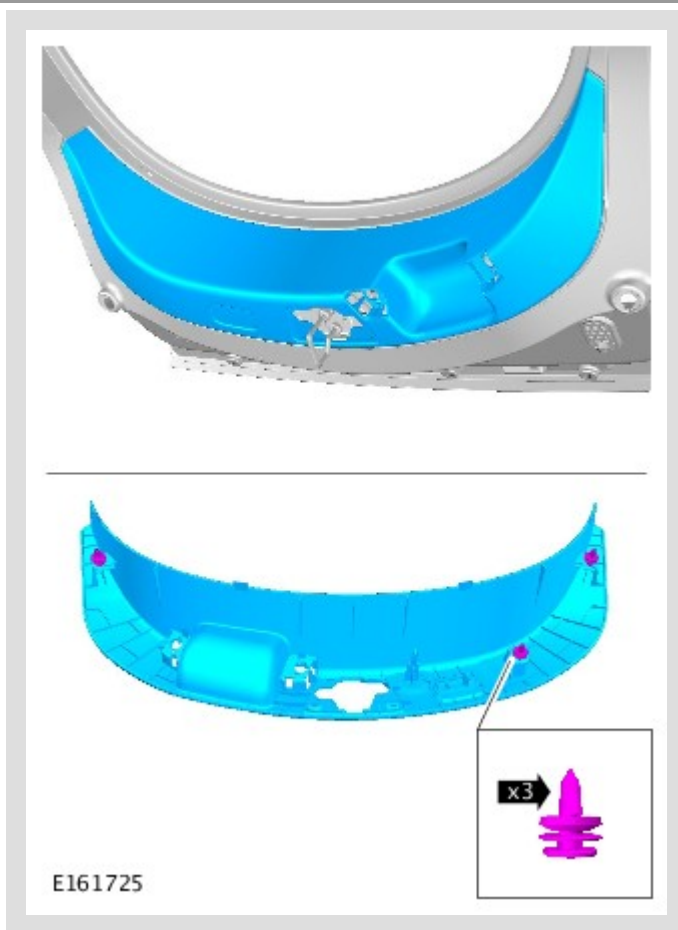
E161723

4.



E161724

5.



Carefully align and secure the clips.

## INSTALLATION

1. To install, reverse the removal procedure.