

PUBLISHED: 28-JAN-2014
2017.0 F-TYPE (X152), 501-05

INTERIOR TRIM AND ORNAMENTATION

LOADSPACE TRIM PANEL - COUPE (G1702347)

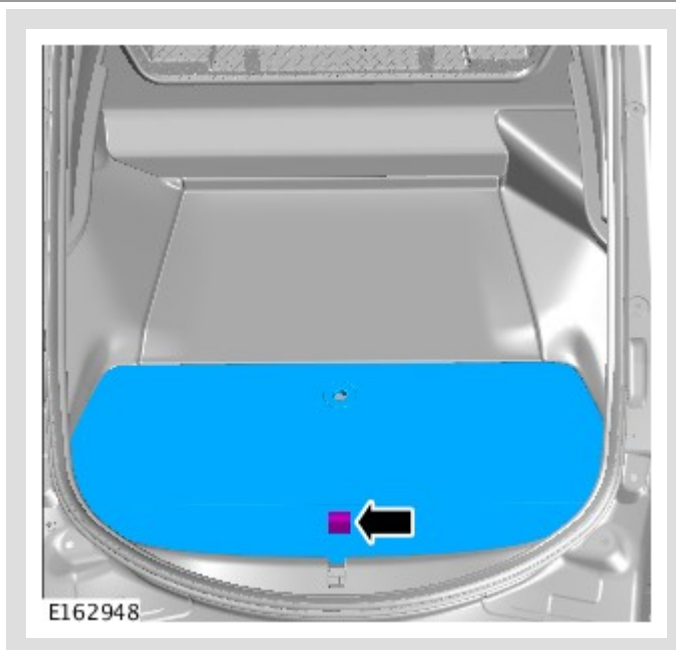
REMOVAL AND INSTALLATION

REMOVAL

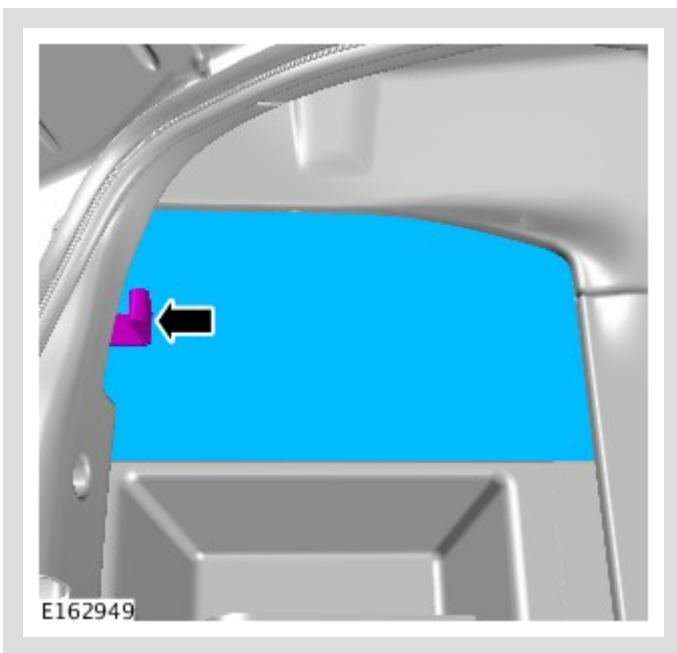
NOTE:

Some variation in the illustrations may occur, but the essential information is always correct.

1.



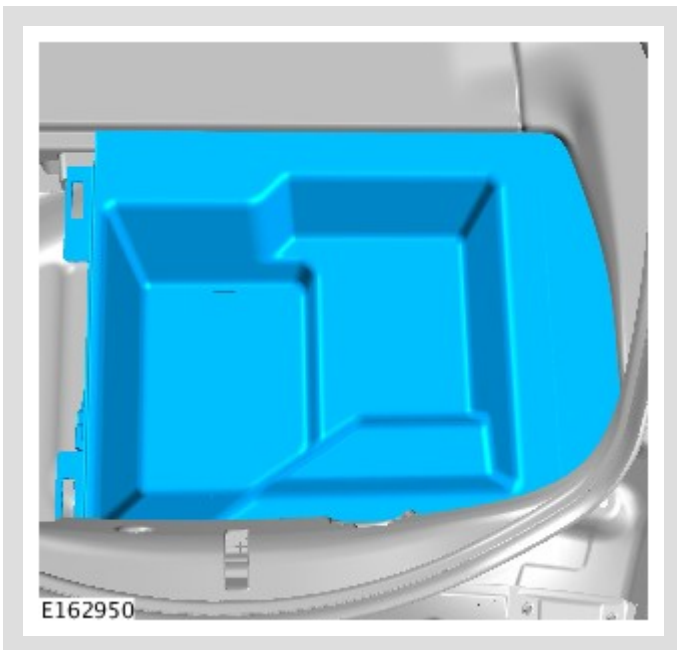
2.



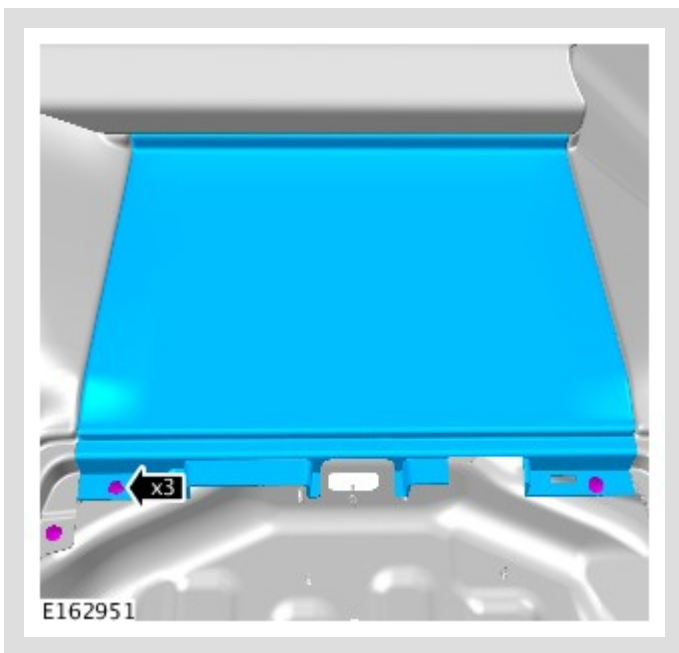
3.

⚠ CAUTION:

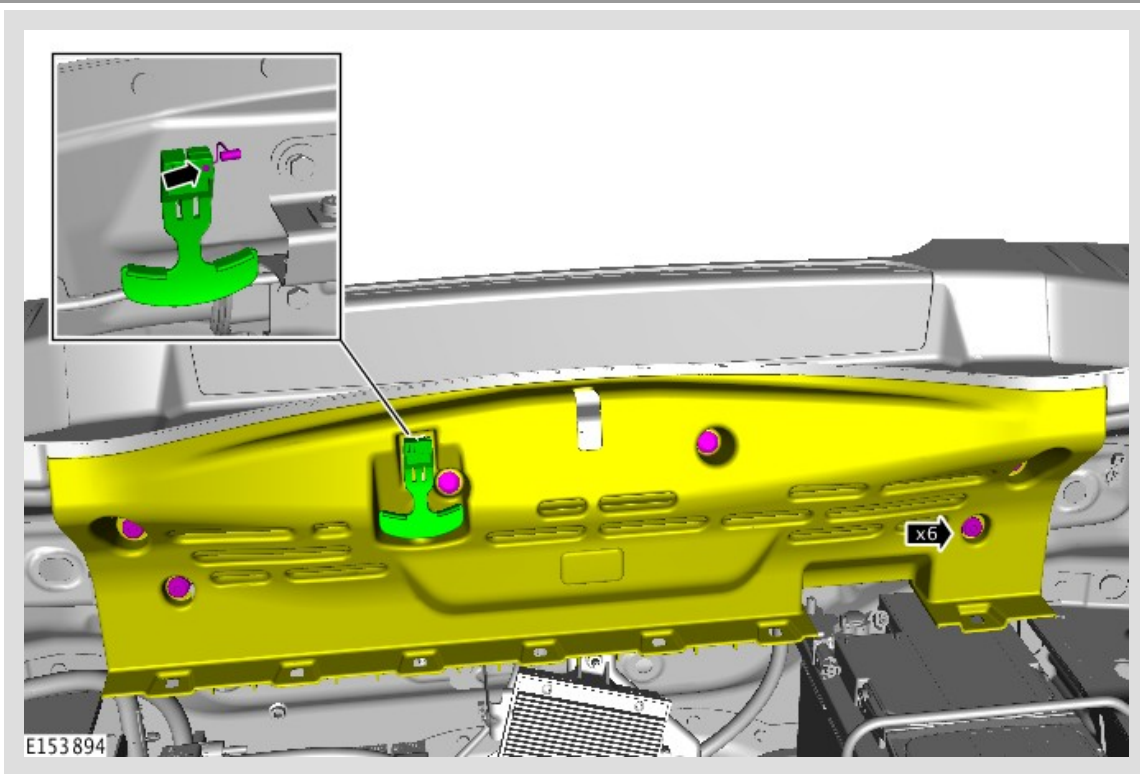
Care must be taken not to damage the component.



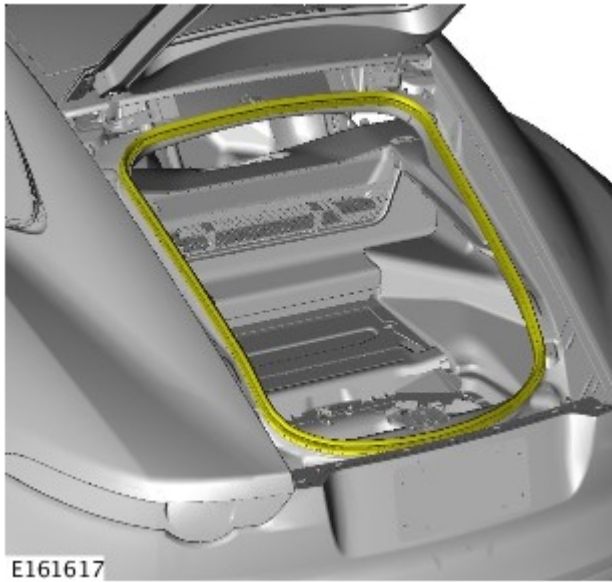
4.



5.

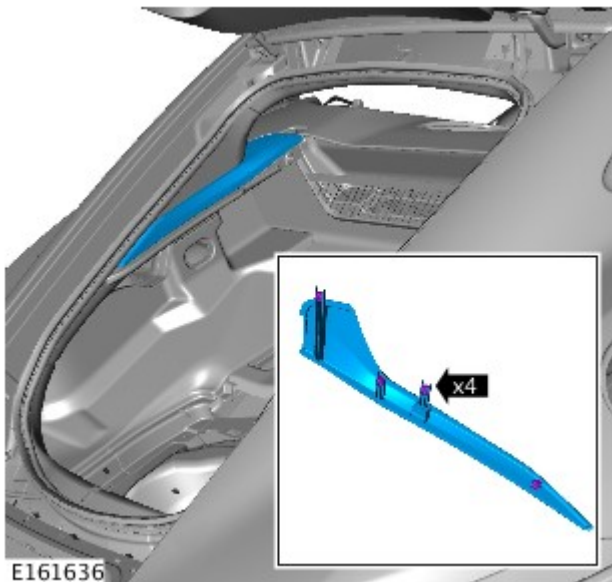


6.



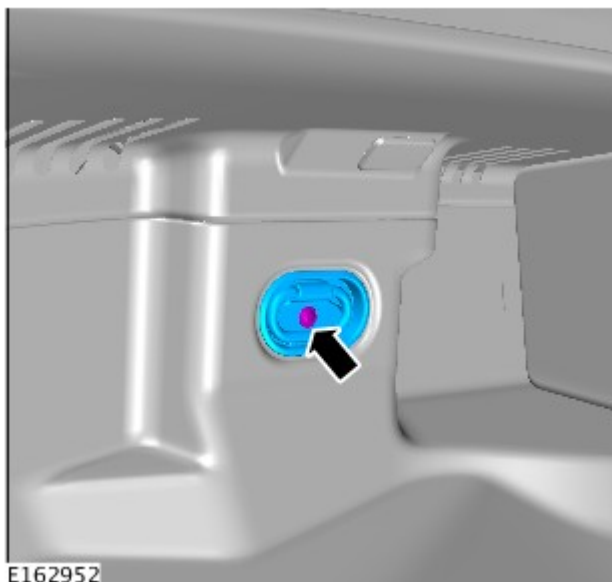
E161617

7.



E161636

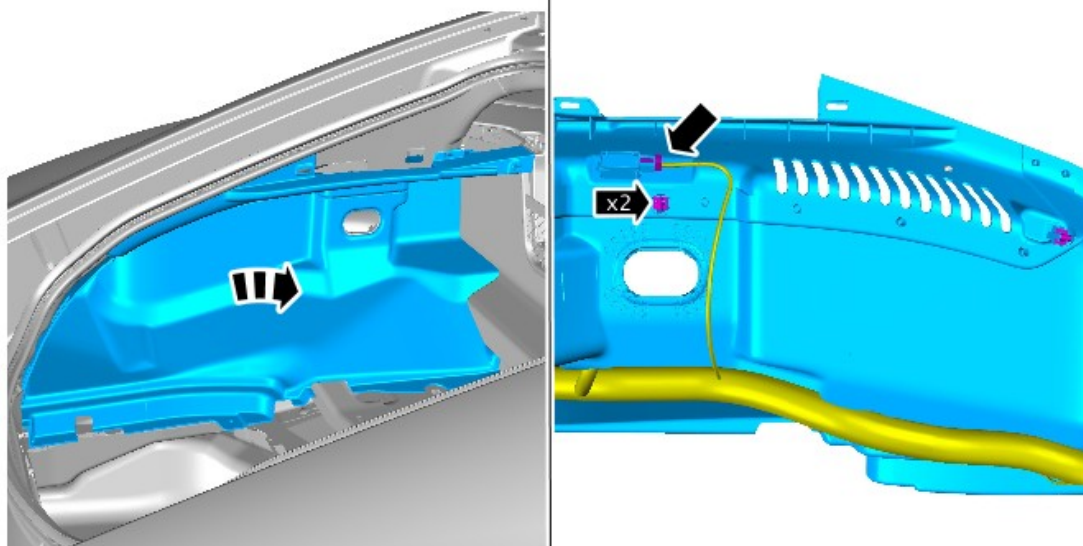
8.



E162952

Torque: 10 Nm

9.



E161637

INSTALLATION

1. To install, reverse the removal procedure.