

Interior Trim and Ornamentation - Loadspace Trim Panel Coupe

Removal and Installation

Removal

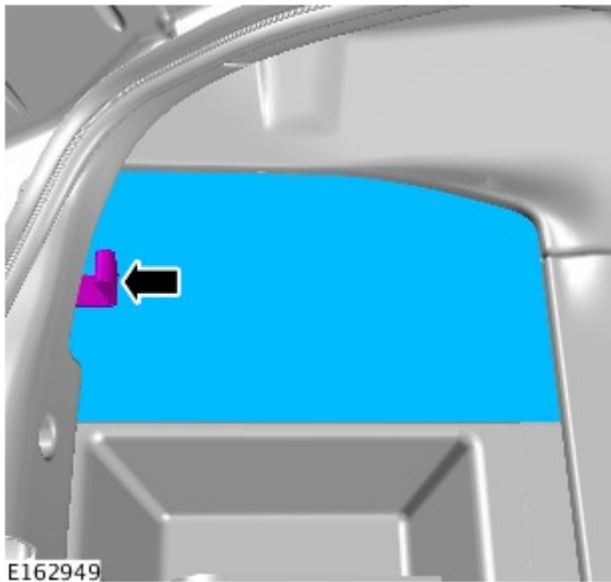
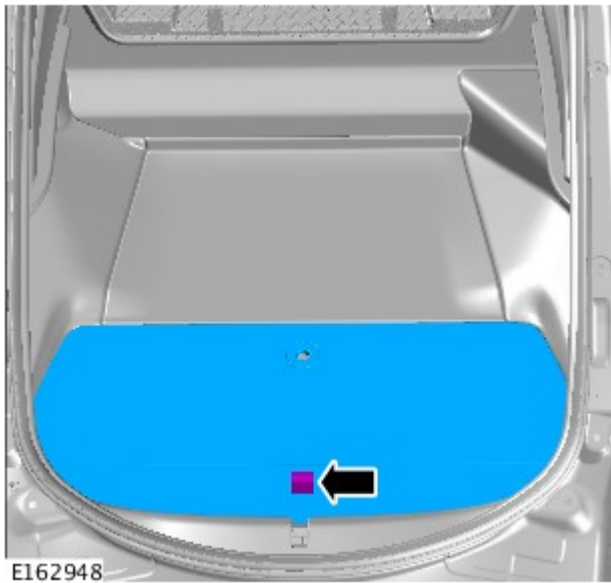
NOTES:




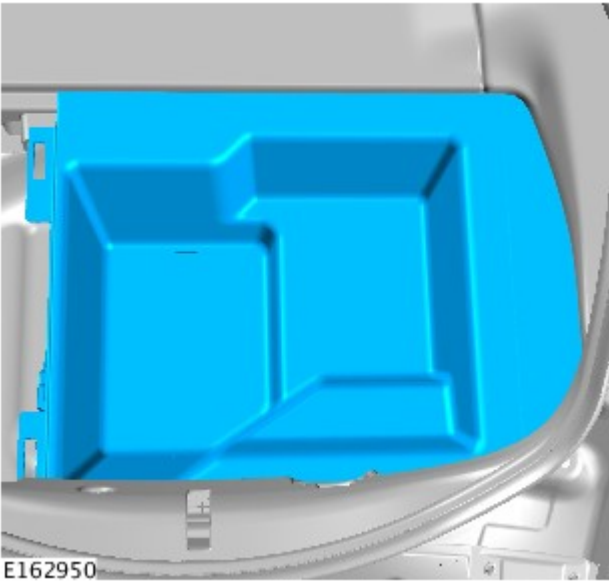
Some variation in the illustrations may occur, but the essential information is always correct.



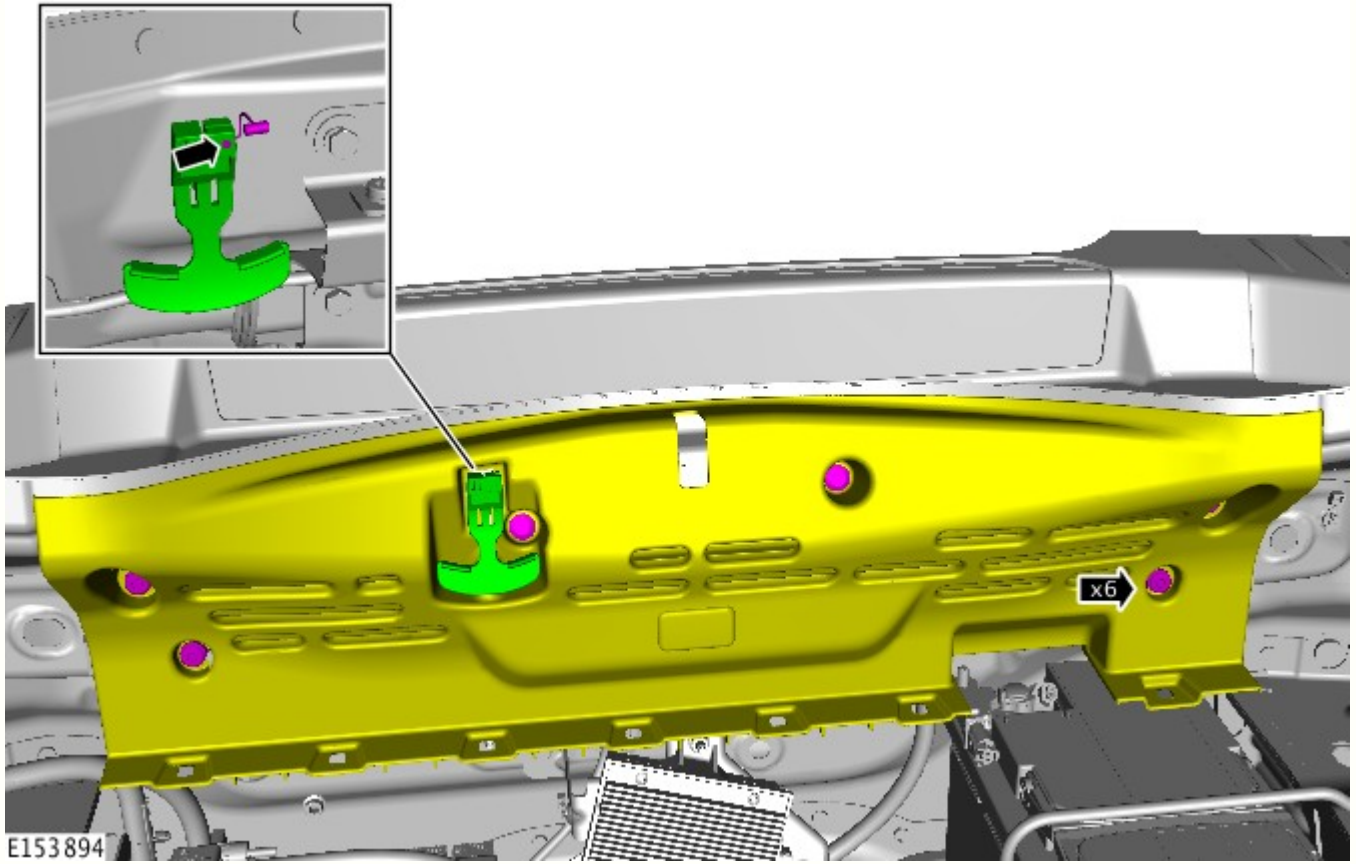
Removal steps in this procedure may contain installation details.



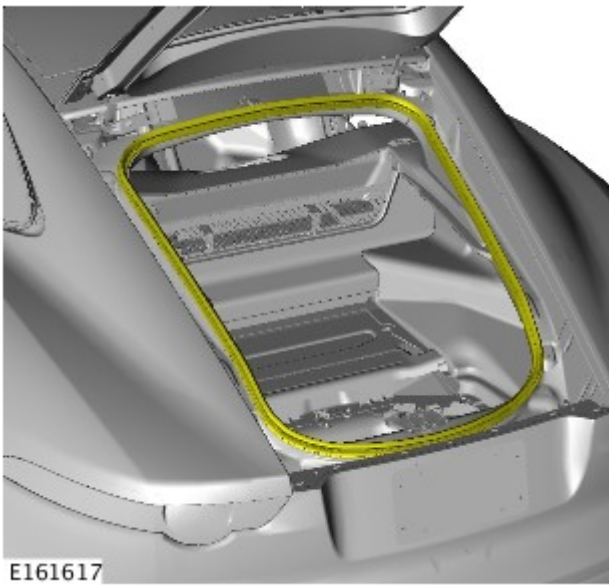
3.  CAUTION: Care must be taken not to damage the component.



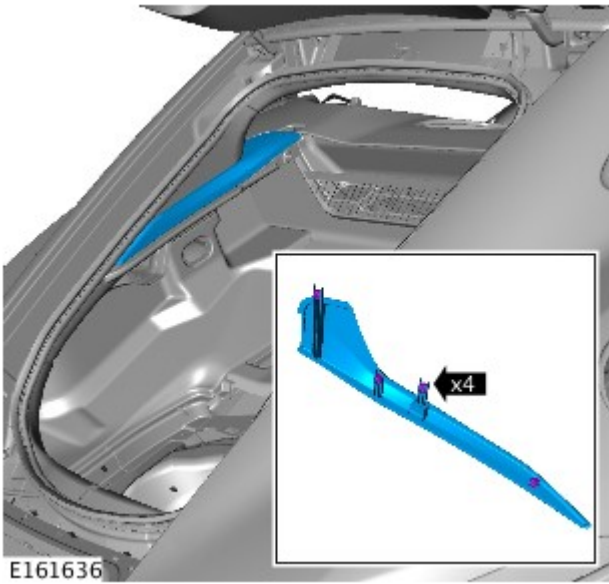
4.



6.

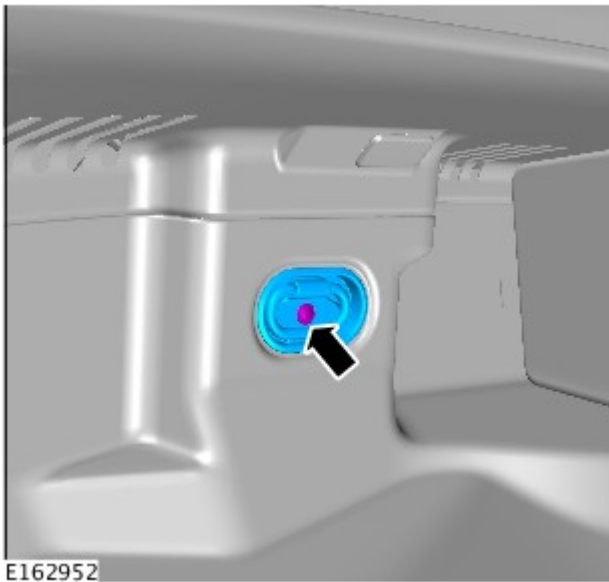


7.



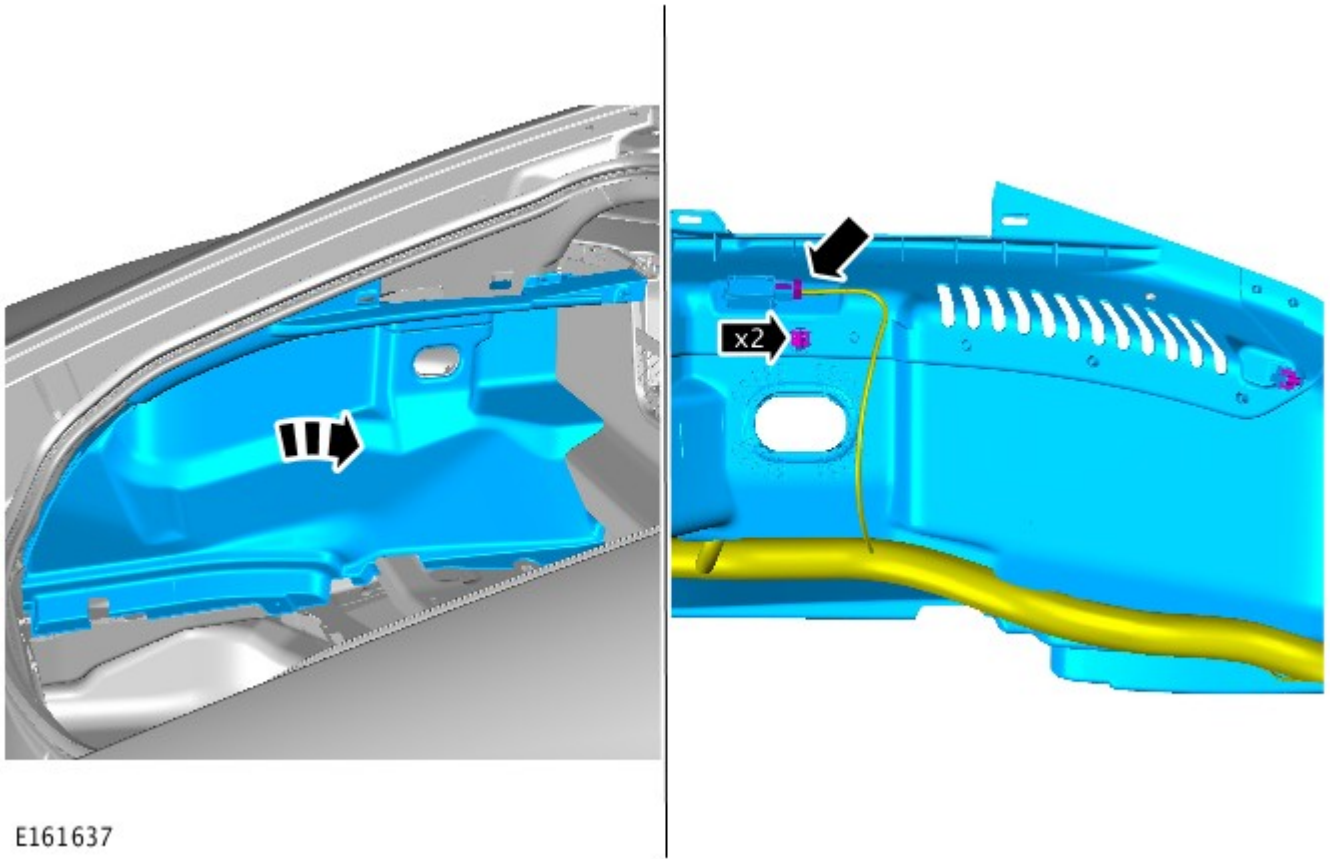
E161636

8. Torque: 10 Nm



E162952

9.



Installation

1. To install, reverse the removal procedure.