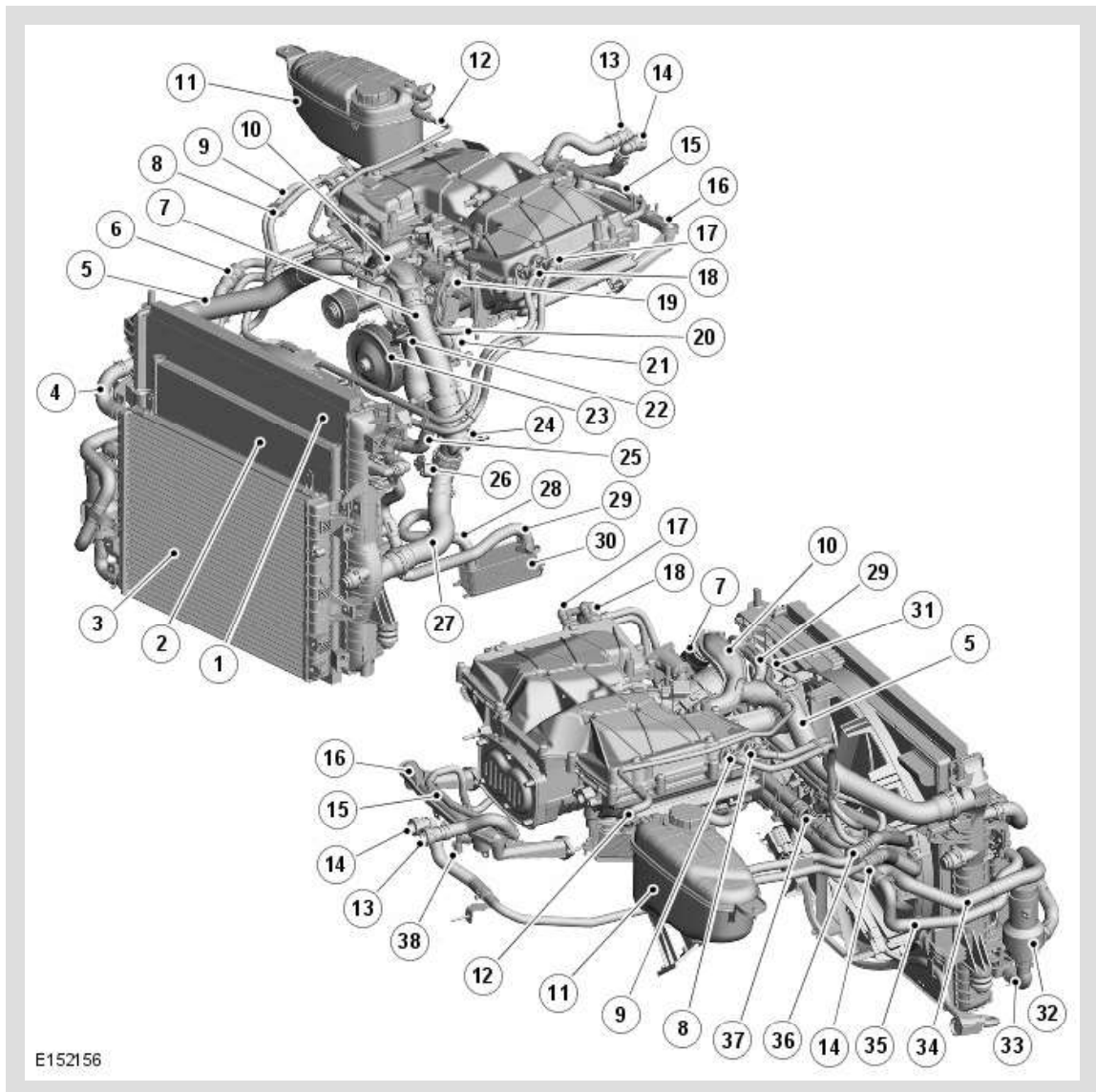


2015.0 F-TYPE (X152), 303-03

ENGINE COOLING - V6 S/C 3.0L PETROL

DESCRIPTION AND OPERATION

COMPONENT LOCATION - REST OF WORLD (ROW)



ITEM	DESCRIPTION
1	Radiator

2	Air conditioning condensor (reference only)
3	Charge air cooler (reference only)
4	Hose - charge air cooler to radiator - supply
5	Radiator upper hose
6	Engine coolant return hose
7	Hose - thermostat housing to water supply tube
8	Hose - supercharger to charge air cooler - return
9	Hose - charge air cooler to supercharger - supply
10	Water supply tube
11	Coolant expansion tank
12	Air bleed hose connection to coolant expansion tank
13	Hose - heater core supply
14	Hose - heater core return
15	Hose - throttle body heater return
16	Heater supply manifold
17	Hose - charge air cooler to supercharger - supply
18	Hose - supercharger to charge air cooler - return
19	Throttle body
20	Hose - throttle body heater return
21	Water outlet tube
22	Hose - throttle body heater supply
23	Coolant pump
24	Thermostat housing
25	Hose coolant return
26	Engine coolant temperature (ECT) sensor 2
27	Radiator - lower hose
28	Hose - Automatic Transmission Fluid (ATF) cooler outlet
29	Hose ATF cooler inlet
30	ATF cooler

31	Hose - air bleed
32	Charge air coolant pump
33	Hose - charge air cooler inlet
34	Hose - charge air cooler to supercharger - supply
35	Hose - charge air cooler to radiator - return
36	Hose - heater core return
37	Coolant return 'Y' connector
38	ECT sensor 1

COMPONENT LOCATION - HOT CLIMATE MARKETS

