



from (V) 720125  
up to (V) 812255

## Parts Catalogue

Part No. JLM 20375

Whilst every effort is made to ensure the accuracy of the particulars contained in this Manual the Manufacturing Companies will not, in any circumstances, be held liable for any inaccuracies or the consequences thereof.

© Jaguar Cars Ltd 1997

All rights reserved. No part of this publication may be reproduced, stored in a retrieval system or transmitted in any form, whether by electronic, mechanical, photocopying, recording or other means without the permission of Jaguar Cars Limited.

Replacement parts that are not of genuine Jaguar supply cannot be relied upon to be of correct specification, material, and workmanship and therefore Jaguar cannot be expected to extend warranty to vehicles which have been fitted with parts not supplied by them.

Jaguar reserves the right to make changes or improvements in the construction or specification of their products at any time.

IN ORDER TO ENSURE PROMPT AND CORRECT EXECUTION OF  
YOUR ORDERS IT IS ESSENTIAL TO QUOTE:-

1. The relative Unit Number, together with prefixes, suffixes and specification references where applicable.  
eg. Axle, Body, Vehicle Identification, Engine, Gearbox Numbers etc.
2. The Part Number and description (prefix and suffix letters to Part Numbers must always be quoted).
3. Always state the colour of carpets, painted items, trim items etc, using the colour code from the Vehicle Identification Number (VIN) plate and the colour combination key to identify the colour name.
4. The quantity required bearing in mind that the quantities shown are those used in the application actually illustrated. Sometimes only minimum package quantities are available. These packs may well contain more parts than are required for a single job; for details of packaged quantities, see the Service Parts List.

THE LISTING OR ILLUSTRATING OF AN ITEM DOES NOT  
GUARANTEE ITS AVAILABILITY.

IP1155

## INDEX TO INTRODUCTION SECTION

<b>MICROFICHE PAGE REFERENCE</b>	<b>PAGE TITLE</b>	<b>REMARKS</b>
B03	GEOGRAPHICAL GROUPINGS	Country groupings used in the parts list are referenced on this page.
B04	STANDARD ABBREVIATIONS	Standard abbreviations used in the microfiche text are referenced on this page.
B05	VEHICLE IDENTIFICATION NUMBERING SYSTEM	VIN Serial letters and numbers explained. VIN plate location.
B06	MODEL YEAR VIN NUMBERS	Details of Model Year commencing VIN numbers.
B07	MAJOR UNIT IDENTIFICATION NUMBERING SYSTEMS 3.2/4.0 LITRE	Engine number coding explained. Location of engine/gearbox serial number/plate stamping.
B08	MAJOR UNIT IDENTIFICATION NUMBERING SYSTEM 6.0 LITRE	Engine number coding explained. Location of engine/gearbox serial number/plate stamping.
B09	COLOUR CROSS REFERENCE	Body colour/Coachline up to end of 1996 MY.
B10	COLOUR CROSS REFERENCE	Body colour/Coachline from 1997 MY.
B11	TRIM COLOUR COMBINATION CHART	Denotes trim colour ranges applicable to specific areas of the vehicle interior.
B12	COLUMN DETAILS OF TRIM COLOUR COMBINATION CHART	Denotes details of columns 1 to 8 on B11.
B13-17	HOW TO USE THE PARTS MICROFICHE	Details of microfiche layout and content. Method of use explained.

IP1156

## VEHICLE IDENTIFICATION NUMBERING SYSTEM

The Vehicle Identification Number comprises of a set of letters and numbers, representing such information as Marque, Range, Class, Engine type, etc. The code for the Jaguar 3.2/4.0 and 6.0 Litre range is as follows:

### PREFIX 1 to 4

#### World Manufacturing Identifier

SAJJ = Jaguar  
SAJD = Daimler

### PREFIX 5

#### Model Range

F = XJ6  
H = Sovereign, XJ12  
K = VDP, Daimler Double Six, Daimler, Six  
M = Majestic  
P = XJR, XJ Sport

### PREFIX 6

#### Class

A = Base Spec  
K = Japanese Spec  
N = Canadian Spec  
S = Mexican Spec  
X = USA Spec

### PREFIX 7

#### Body Variant

L = 4dr Saloon  
M = 4dr 5 seat LWB Saloon  
N = 4dr 4 seat LWB Saloon

### PREFIX 8

#### Engine Variant

D = 4.0 Litre  
E = 4.0 Litre (California)  
F = 4.0 Litre S/C  
G = 3.2 Litre  
S = 6.0 Litre

### PREFIX 9

#### Transmission & Steering

3 = Auto RHS  
4 = Auto LHS  
7 = Manual RHS  
8 = Manual LHS

### PREFIX 10

#### Model or Year Change

S = 1995 Model Year  
T = 1996 Model Year  
V = 1997 Model Year

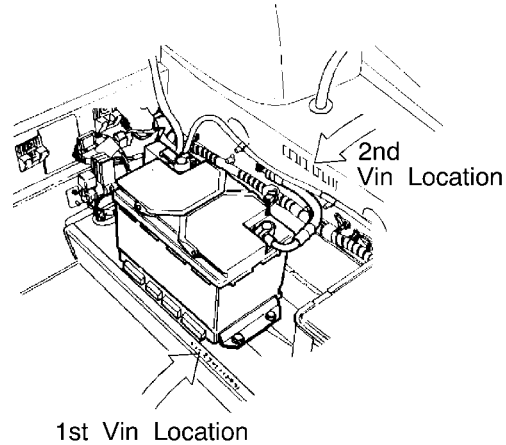
### PREFIX 11

#### Emission Control System

C = 4.0/6.0 Litre, emission D  
J = 4.0/6.0 Litre, emission E  
4.0 Litre S/C, emission E  
N = 4.0/6.0 Litre, emission C  
P = 4.0/6.0 Litre, emission C  
4.0 Litre S/C, emission C  
6.0 Litre, emission F  
R = 6.0 Litre, emission G

### PREFIX 12 to 17

#### Production Serial Number



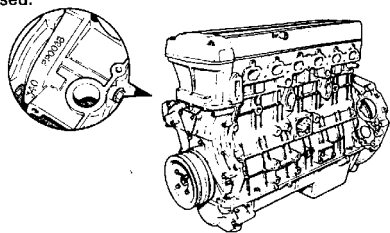
**MODEL YEAR VIN NUMBERS**

- 1995 Model Year - From (V) 720125
- 1995.5 Model Year - From (V) 739427
- 1995.75 Model Year - From (V) 746613
- 1995.75 Model Year LWB - From (V) 746814
- 1996 Model Year - From (V) 754304
- 1997 Model Year - From (V) 787954 to (V) 812255

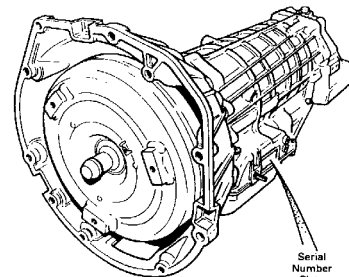
## MAJOR UNIT IDENTIFICATION NUMBERING SYSTEMS 3.2/4.0 LITRE/4.0 LITRE SUPERCHARGED

### ENGINE IDENTIFICATION

An engine numbering system comprising of 12 characters will be applied to the XJ6 variants. Detailed below is a sample number with all the applicable codes that are to be used.



### GEARBOX SERIAL No. LOCATIONS



N/A  
Automatic  
Gearbox

9 J P D M B 1 0 0 0 0 1

Marque  
9 = Jaguar

ENGINE TYPE  
J = 4.0L 4v  
H = 3.2L 4v  
K = 4.0L S/C

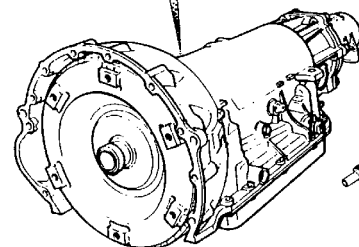
FUEL  
P = Petrol

COMPRESSION  
RATIO  
D = 4.0L S/C  
G = 3.2L N/A  
F = 4.0L N/A

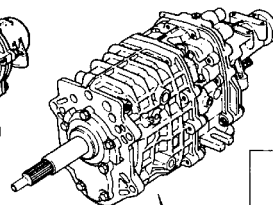
EMISSION SPEC  
L = Emission A  
M = Emission B  
N = Emission C  
P = Emission D  
R = Emission E  
S = Emission F

SERIAL NUMBER

SPEC RANGE  
B = 1995



4.0L S/C  
Automatic  
Gearbox



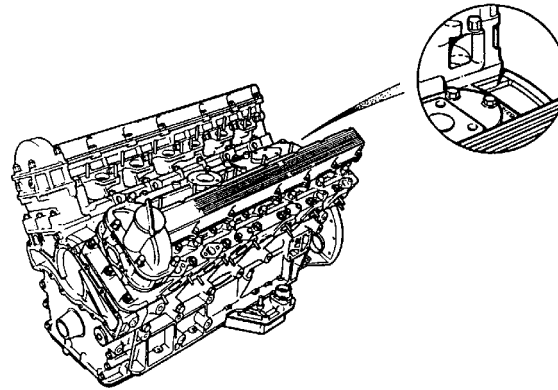
Manual  
Gearbox

Serial  
Number  
Stamping

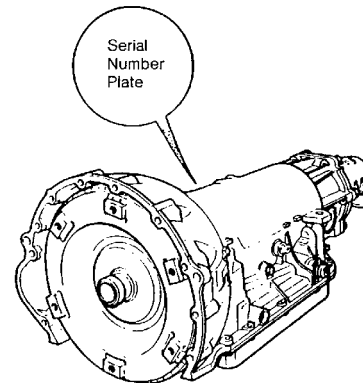
IP1150

## GROUP A INTRODUCTION

### MAJOR UNIT NUMBERING SYSTEMS – 6.0 LITRE



The 6.0 litre range engine numbers commence with the prefix 8E: e.g. 8E.10100



The serial number for the 6.0L automatic gearbox is located on the right side of the transmission case

IP1151

**BODY COLOUR AND COACHLINE RANGE →97 MY**

<b>BODY COLOUR AND CODE</b>	<b>JBC No.</b>	<b>STRIPE COLOUR AND CODE XJ6/SOV/XJ12/DAIMLER SIX/DAIMLER DOUBLE SIX</b>	<b>STRIPE COLOUR AND CODE XJ SPORT/XJR S/C</b>
BLACK (PDT)	807	GREY (LGA)	AEGEAN (HDS)
BRITISH RACING GREEN (HFB)	753	AEGEAN (HDS)	AEGEAN (HDS)
CARNIVAL (bright red) (CFS)	811	CREAM (NEA)	AEGEAN (HDS)
FLAMENCO (CFH) → 96 MY	765	CREAM (NEA)	AEGEAN (HDS)
GLACIER WHITE (NDP) → 96 MY	742	GREY (LGA)	
ICE BLUE (MDP)	821	BLUE (JDS)	AEGEAN (HDS)
JADE GREEN (HEV)	735	CREAM (NEA)	
KINGFISHER (HFE)	779	AEGEAN (HDS)	
MOROCCO RED (CFG)	778	CREAM (NEA)	
NAUTILUS (blue black) (PDV)	824	GREY (LGA)	
ROSE BRONZE (SDL) → 96 MY	795	MAROON (CDR)	
SAPPHIRE (JGE)	806	GREY (LGA)	AEGEAN (HDS)
SIGNAL RED (CFC)	748	CREAM (NEA)	
SILVER FROST (MDK) → 96 MY	750	BLUE (JDS)	
SPINDRIFT (white) (NDM)	732	GREY (LGA)	
SPRUCE (dark green) (HFL)	823	AEGEAN (HDS)	
STEEL GREY (LEV)	783	CREAM (NEA)	
TITANIUM (LFA)	810	GREY (LGA)	
TOPAZ (SDN)	820	MAROON (CDR)	
TURQUOISE (UDB)	827	AEGEAN (HDS)	AEGEAN (HDS)
WESTMINSTER BLUE (JFG)	712	GREY (LGA)	

## BODY COLOUR AND COACHLINE RANGE 97 MY ON

BODY COLOUR AND CODE		COACHLINE COLOUR AND CODE		
<b>SOLID</b>				
British Racing Green	JBC 753	HFB	Light Green	HGA
Westminster Blue	JBC 712	JFG	Mid Blue	JEK
Spindrift	JBC 732	NDM	Grey	LGA
<b>METALLIC</b>				
Sapphire	JBC 806	JGE	Light Blue	JEL
Steel	JBC 897	LGF	Light Beige	AER
Ice Blue	JBC 821	MDP	Lid Blue	JEK
Topaz	JBC 820	SDN	Black Cherry	PEB
Nautilus	JBC 824	PDV	Grey	LGA
<b>MICA</b>				
Spruce	JBC 823	HFL	Light Green	HGA
Carnival	JBC 811	CFS	Light Beige	AER
Jade Green	JBC 735	HEV	Light Beige	AER
Titanium	JBC 810	LFA	Mid Blue	JEK
Sherwood	JBC 835	HFR	Light Beige	AER
Anthracite	JBC 859	PDX	Grey	LGA
Aquamarine	JBC 839	JGY	Light Green	HGA
Antigua	JBC 840	JGZ	Light Blue	JEL
Cabernet	JBC 819	CGE	Light Beige	JEK
Black	JBC 807	PDT	Grey	LGA

**Note:**

- XJR and Sports models use the coachlines shown in the chart except in the following cases:  
 Spindrift takes Black Cherry  
 Sherwood takes Light Green  
 Jade Green takes Black Cherry  
 Spruce takes Light Beige  
 Steel takes Black Cherry  
 Ice Blue takes Black Cherry

IP1152



## COLOUR TRIM CHART

MODEL APPLICABILITY: XJ6 & XJ6 OPTION

	1	2	3	4	5	6	7		
OVERALL INTERIOR COLOUR DESCRIPTION	INTERIOR TRIM LOWER SEATING	SEATBELTS	FACIA STEERING WHEELS	INTERIOR TRIM UPPER	CARPETS	FLANGE FINISHER	ROOF TRIM	GEARSHIFT ASSEMBLY	SUNBLINDS
OATMEAL OATMEAL CLOTH	OATMEAL	CATMEAL	ANTELOPE	OATMEAL	MINK	OATMEAL	OATMEAL	WARM CHARCOAL	OATMEAL
COFFEE COFFEE CLOTH	COFFEE	BARLEY	COFFEE	COFFEE	COFFEE	COFFEE	OATMEAL	WARM CHARCOAL	COFFEE
CREAM	CREAM	BARLEY	COFFEE	COFFEE	COFFEE	COFFEE	OATMEAL	WARM CHARCOAL	COFFEE
NIMBUS GREY NIMBUS GREY CLOTH	NIMBUS GREY	NIMBUS GREY	SLATE	NIMBUS GREY	SHADOW GREY	NIMBUS	NIMBUS GREY	WARM CHARCOAL	NIMBUS GREY
PARCHMENT	PARCHMENT	PARCHMENT	SAGE	PARCHMENT	SAGE	OATMEAL	OATMEAL	WARM CHARCOAL	OATMEAL
WARM CHARCOAL	WARM CHARCOAL	WARM CHARCOAL	WARM CHARCOAL	NIMBUS GREY	FLINT	WARM CHARCOAL	NIMBUS GREY	WARM CHARCOAL	WARM CHARCOAL
REGATTA BLUE REGATTA BLUE CLOTH	REGATTA BLUE	WARM CHARCOAL	WARM CHARCOAL	NIMBUS GREY	MIDNIGHT BLUE	WARM CHARCOAL	NIMBUS GREY	WARM CHARCOAL	WARM CHARCOAL

MODEL APPLICABILITY: SOVEREIGN / VDP / DAIMLER SIX / DAIMLER DOUBLE SIX / XJ12

	1	2	3	4	5	6	7		
OVERALL INTERIOR COLOUR DESCRIPTION	INTERIOR TRIM LOWER SEATING	SEATBELTS	FACIA STEERING WHEELS GEARSHIFT ASSEMBLY	INTERIOR TRIM UPPER	CARPETS	FLANGE FINISHER	ROOF TRIM	SUNBLINDS	
OATMEAL OATMEAL CLOTH	OATMEAL	OATMEAL	ANTELOPE	OATMEAL	MINK	OATMEAL	OATMEAL	OATMEAL	
COFFEE COFFEE CLOTH	COFFEE	BARLEY	COFFEE	COFFEE	COFFEE	COFFEE	OATMEAL	COFFEE	
CREAM	CREAM	BARLEY	COFFEE	COFFEE	COFFEE	COFFEE	OATMEAL	NIMBUS GREY	
NIMBUS GREY NIMBUS GREY CLOTH	NIMBUS GREY	NIMBUS GREY	SLATE	NIMBUS GREY	SHADOW GREY	NIMBUS	NIMBUS GREY	NIMBUS GREY	
PARCHMENT	PARCHMENT	PARCHMENT	SAGE	PARCHMENT	SAGE	OATMEAL	OATMEAL	OATMEAL	
WARM CHARCOAL	WARM CHARCOAL	WARM CHARCOAL	WARM CHARCOAL	NIMBUS GREY	FLINT	WARM CHARCOAL	NIMBUS GREY	WARM CHARCOAL	
REGATTA BLUE REGATTA BLUE CLOTH	REGATTA BLUE	WARM CHARCOAL	WARM CHARCOAL	NIMBUS GREY	MIDNIGHT BLUE	WARM CHARCOAL	NIMBUS GREY	WARM CHARCOAL	

MODEL APPLICABILITY: XJ SPORT / XJR (ALL MARKETS)

	1	2	3	4	5	6	7		
OVERALL INTERIOR COLOUR DESCRIPTION	INTERIOR TRIM LOWER SEATING	SEATBELTS	FACIA STEERING WHEELS GEARSHIFT ASSEMBLY	INTERIOR TRIM UPPER	CARPETS	FLANGE FINISHER	ROOF TRIM	SUNBLINDS	
OATMEAL GREY MARBLE (AEH)	OATMEAL	OATMEAL	WARM CHARCOAL	OATMEAL	FLINT	OATMEAL	OATMEAL	OATMEAL	
CREAM	CREAM	WARM CHARCOAL	WARM CHARCOAL	OATMEAL	FLINT	OATMEAL	OATMEAL	OATMEAL	
NIMBUS GREY GREY MARBLE (LFW)	NIMBUS GREY	NIMBUS GREY	WARM CHARCOAL	NIMBUS GREY	FLINT	NIMBUS GREY	NIMBUS GREY	NIMBUS GREY	
WARM CHARCOAL BLACK MARBLE (PDY)	WARM CHARCOAL	WARM CHARCOAL	WARM CHARCOAL	NIMBUS GREY	FLINT	WARM CHARCOAL	NIMBUS GREY	WARM CHARCOAL	

NOTE FOR ALL MODELS - BOOT TRIM IS GREY FLECK.

IP1153

**BREAKDOWN OF TRIM COLOUR COMBINATION CHART:**

**COLUMN 1**

INTERIOR TRIM LOWER AND SEATS  
 Door casings front  
 Door casings rear  
 Underscuff  
 Scuff side casing  
 Console (see note (a) below)  
 Console cubby box/Phone lid (see note (a) below)  
 Console extension  
 Rear parcel shelf  
 'A' post finisher lower  
 'B' post finisher inner lower  
 Coin holder  
 Handbrake gaiter  
 Seat pod

**COLUMN 2**

SEATBELTS  
 Seatbelts front  
 Seatbelts rear

**COLUMN 3**

FACIA  
 Door top rolls front  
 Door top rolls rear  
 Facia  
 Facia switch pack  
 Column cowl  
 Steering wheel & Airbag module

**COLUMN 4**

UPPER INTERIOR TRIM  
 Grab Handles  
 'B' Post finisher inner upper  
 'A' Post trim  
 D/E post finishers  
 Cantrail  
 Coathooks

**COLUMN 6**

CARPETS  
 Carpets  
 Rugs  
 FLANGE FINISHER  
 Flange Finisher

**COLUMN 7**

ROOF TRIM  
 Roof trim  
 Sun visors  
 Sunroof  
 Sunroof console  
 Sunroof furlflex  
 Intrusion sensor  
 Sunblind retention clips  
 BOOT TRIM  
 Boot/Floor casings  
 Boot side casings  
 Trunk seal retainer

**COLUMN 1**

LEATHER/AMBLA	
OATMEAL	AGD
PARCHMENT	HEZ
REGATTA BLUE	JGT
WARM CHARCOAL	LEG
NIMBUS GREY	LFJ
CREAM	NDR
COFFEE	SDC
SILK WHITE	NDW
PALE MUSHROOM	SDP
SAGE GREEN	HFA

**Also including:**

WITH CONTRASTING PIPING/STITCHING	
OATMEAL/ANTELOPE	AAD
PARCHMENT/SAGE GREEN	UHZ
REGATTA BLUE/WARM CHARCOAL	HJT
WARM CHARCOAL/NIMBUS GREY	DLG
NIMBUS GREY/SLATE	ELJ
CREAM/COFFEE	RNR
COFFEE/CREAM	SSC

**Also including:**

SCULPTURED FABRIC	
OATMEAL	AGF
REGATTA BLUE	JGV
NIMBUS GREY	LFL
COFFEE	SDR

**Also including:**

SPORT CLOTH	
TEMPO/OATMEAL	AEH
TEMPO/NIMBUS GREY	LFW
TEMPO/WARM CHARCOAL	PDY

**COLUMN 2**

SEATBELTS	
BARLEY	AFW
OATMEAL	AGD
PARCHMENT	HEZ
WARM CHARCOAL	LEG
NIMBUS GREY	LFJ

**COLUMN 3**

FACIA/TOP ROLL'S/STEERING WHEELS	
ANTELOPE	AGE
SAGE GREEN	HFA
WARM CHARCOAL	LEG
SLATE	LFK
COFFEE	SDC

**COLUMN 4**

UPPER INTERIOR TRIM	
OATMEAL	AGD
COFFEE	SDC
NIMBUS GREY	LFJ
PARCHMENT	HEZ

**COLUMN 5**

CARPETS (WITHOUT BINDING)	
MINK	AGH
SAGE GREEN	HFA
MIDNIGHT BLUE	JHC
SHADOW GREY	LFM
FLINT GREY	LFN
COFFEE	SDC

**Also including:**

CARPETS (WITHOUT BINDING)	
MINK/OATMEAL	BAH
SAGE GREEN/PARCHMENT	THA
MIDNIGHT BLUE/REGATTA BLUE	CJC
SHADOW GREY/NIMBUS GREY	BLM
FLINT GREY/WARM CHARCOAL	HLN
COFFEE/COFFEE	SDC
COFFEE/CREAM	SSC

**COLUMN 6**

FLANGE FINISHER	
OATMEAL	AGD
NIMBUS GREY	LFJ
COFFEE	SDC
WARM CHARCOAL	LEG

**COLUMN 7**

HEADLININGS	
OATMEAL	AGD
NIMBUS GREY	LFJ
BOOT CARPET	
GREY FLECK	LFX

(a) Console lid and upper area of console – Warm Charcoal XJ Sport / XJR only

(b) CENTENARY / CENTURY ONLY

NOTES:  
 Warm Charcoal (Option all models – when this option is taken the following items will also be Warm Charcoal:  
 Column cowl  
 Steering wheel  
 Facia switch pack  
 Gearknob  
 Gearshift surround  
 Gearshift gaiter  
 Handbrake grip