

STANDARD ABBREVIATIONS

ABBREVIATIONS: Standard abbreviations are used in this parts list, as shown below:

(B)	Body number	mm	millimetres
(E)	Engine number	mph	Miles per hour
(G)	Gearbox number	NLA	No longer available from Jaguar Cars Limited
(V)	Vehicles Identification number (VIN)	No.	Number
AR	As required	NSP	Non-serviceable part
BSP	British Standard Pipe	NSS	Not supplied separately
cm	Centimetre	o/d	Outside diameter
COB	Clear over base paint technology	O/S	Oversize
dia	Diameter	pr	Pair
EGR	Exhaust Gas Regulating	psi	Pounds square/inch
HC	High compression	RH	Right-hand
i/d	Inside diameter	RHD	Right-hand drive
KG	Kilogram	RTV	Room temperature Vulcanising
kph	Kilometres per hour	ST	Self tapping
LC	Low compression	STD	Standard
LCD	Liquid Crystal Display	TV	Television
LH	Left-hand	U/S	Undersize
LHD	Left-hand drive	UK	United Kingdom
LP	Low pressure	VEMS	Vehicle Emergency Message System
LWB	Long wheel base (Majestic)	VICS	Vehicle Information Communication System
m	metres		
MAP	Manifold Air Pressure		
MHZ	Megahertz		

PART NUMBER SUFFIX LETTERS

E	Exchange scheme/remanufactured units
N	New condition (ie not exchange)
R	Remanufactured unit

VEHICLE IDENTIFICATION NUMBERING SYSTEM (GLOBAL)

The Vehicle Identification Number comprises a series of letters and numbers representing in code such information as Marque, Model Range, Class, Engine Type, etc. The codes for S-TYPE are as follows:

PREFIX 1 to 3
World manufacturing Identifier
SAJ = Jaguar

PREFIX 4
Market & Airbag Spec
A = Rest of World
B = Canada
D = USA
E = USA (1)
F = Canada (1)
J = USA (2)
K = Japan (1)
P = Mexico (1)
R = Mexico (2)
W = USA (3)
X = Canada (3)
Y = Mexico (3)

PREFIX 5
Transmission & Steering
A = Automatic LHS
B = Manual LHS
C = Automatic RHS
D = Manual RHS

PREFIX 6 & 7
Body Code
01 = S-TYPE 4-door High Series
02 = S-TYPE 4-door Entry Series
03 = S-TYPE 4-door Sport Series

PREFIX 8
Emission

A = ECS 1
B = ECS 2
C = ECS 3
D = ECS 4
E = ECS 5
F = ECS 6
G = ECS 7
K = ECS 10
N = ECS 13
P = ECS 14
R = ECS 15
S = ECS 16
T = ECS 17
U = ECS 18
V = ECS 19
W = ECS 20
X = ECS 21
Y = ECS 22

PREFIX 9
Check Digit ?

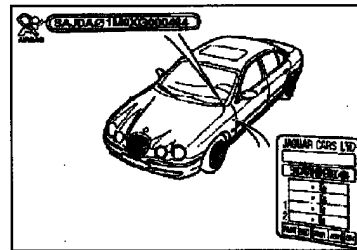
PREFIX 10
Model or Year Change
X = 1999 Model Year
Y = 2000 Model Year
1 = 2001 Model Year
2 = 2002 Model Year

3 = 2003 Model Year
4 = 2004 Model Year

PREFIX 11

Assembly Plant
J = Castle Bromwich S-TYPE 2.5V6
F = Castle Bromwich S-TYPE 3.0V6
G = Castle Bromwich S-TYPE 4.0V8 & 4.0V8 S/C
H = Castle Bromwich S-TYPE 4.2V8
1 = Castle Bromwich S-TYPE 4.2V8 S/C
7 = Castle Bromwich S-TYPE 2.7V8 Diesel

PREFIX 12 to 17
Production Serial Number



Model Year VIN Numbers

1999.25 MY From (V) L00001

2000 MY From (V) L31321

2000.5 MY From (V) L52923

2001 MY From (V) L86902

2002.5 MY From (V) M45255

2003 MY From (V) M62936

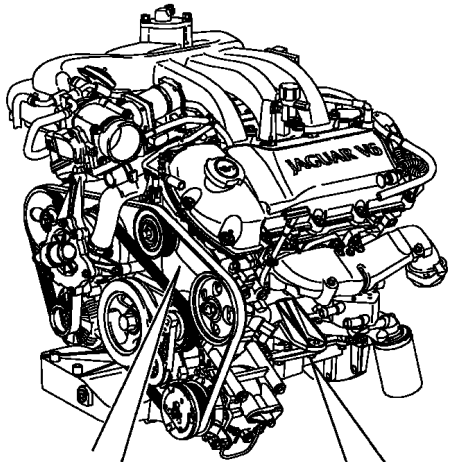
2004 MY From (V) M94765

2004.5MY From (V) N13089

PETROL ENGINE SERIAL NUMBERS

Engine Serial Number

(The V8 Engine Serial Number is 10 digits long.)

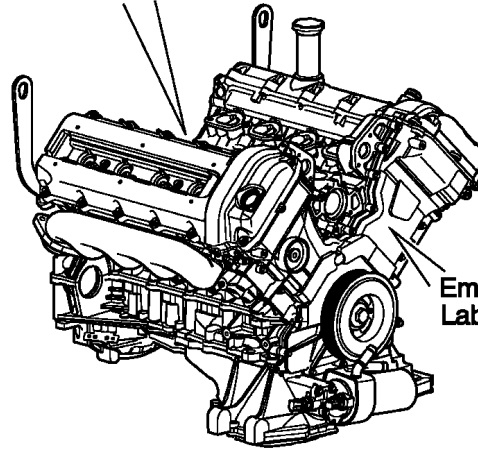


Emission
Label

V6

Engine Serial Number

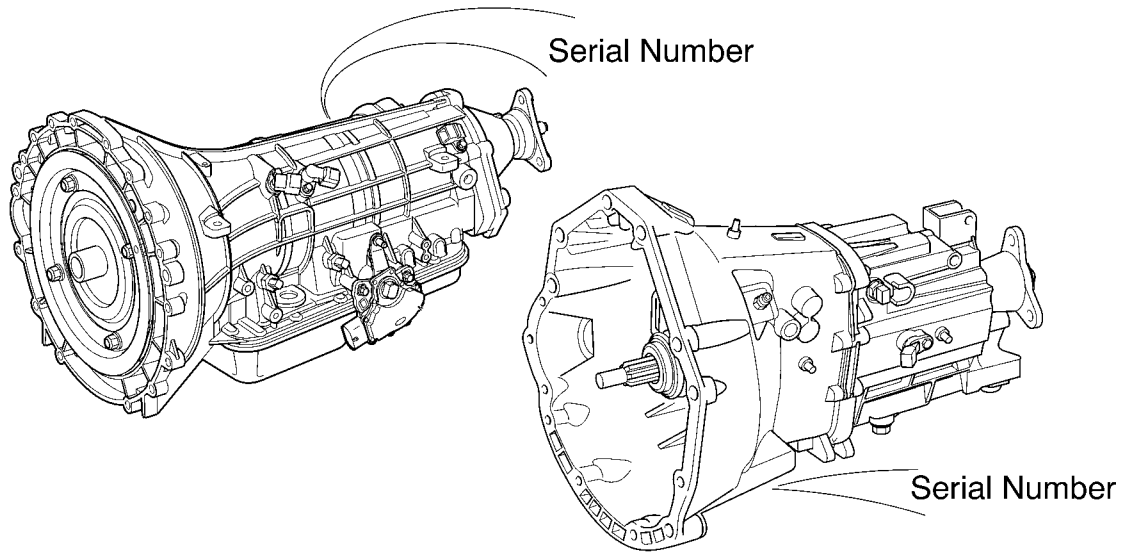
(The V6 Engine Serial Number is 9 digits long.
Please note that only the first six digits are required
for identification)



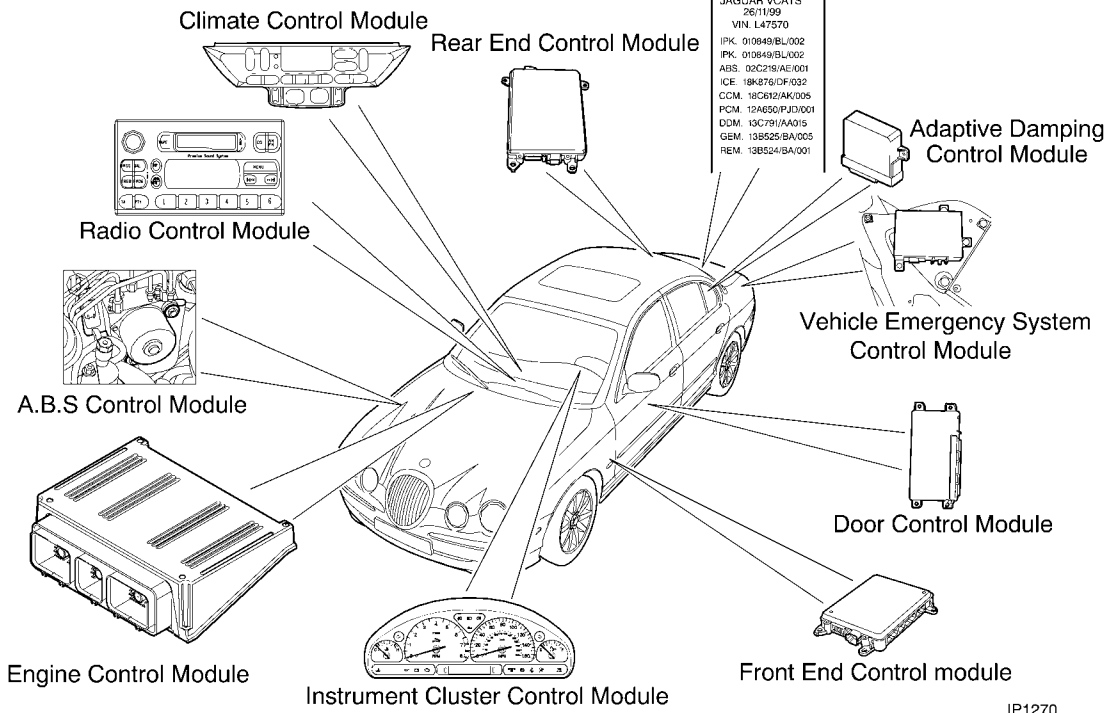
Emission
Label

V8

GEARBOX SERIAL NUMBERS



CONTROL MODULE LOCATIONS



TRIM COLOUR COMBINATION CHART (P.1) To (Vin)N13088

MODEL	Interior Trim / Seat	Door Casings			Facia		Steering Wheel *
		Top Roll	Casing	Kick Carpet Panel	Upper	Lower	
S-TYPE	Almond	Mink	Almond	Sable	Mink	Almond	Mink
	Cashmere	Sable	Cashmere	Sable	Sable	Cashmere	Sable
	Ivory	Sable	Ivory	Sable	Sable	Ivory	Sable
	Pewter	Granite	Pewter	Granite	Granite	Pewter	Granite
	Warm Charcoal	Warm Charcoal	Warm Charcoal	Flint	Warm Charcoal	Warm Charcoal	Warm Charcoal
	Almond (1)	Warm Charcoal	Almond	Sable	Warm Charcoal	Almond	Warm Charcoal
	Ivory (1)	Warm Charcoal	Ivory	Sable	Warm Charcoal	Ivory	Warm Charcoal
Cashmere (1)	Warm Charcoal	Cashmere	Sable	Warm Charcoal	Cashmere	Warm Charcoal	
Other Colour Keyed Parts	Parcel Shelf **	Dimmer Vents	Door Centre Panel	Fr Door Map Pocket	Facia Ends	Glovebox Handle	Steering Column Cowl
	HMSL **	Fr Door Release Bezel	Door Armrest	Rr Door Map Pocket	Dimmer Switch Bezel	Fuel Bezel	
	Lower B/C Trim		Door Pull Cup		Aspirator Vents	Boot Release Bezel	
	Rr S/belt Ctr Escl: **		Rr Door Release Bezel		Lights Switch Bezel		
	Parcel Shelf Speaker Grille **		Map Pocket Retention Strip		Manual G/Shift Gaiter		
					Leather Gearknob ***		
Warm Charcoal Parts	Trunk Seal Retainer		Cheaters		Facia Vents		Cruise Control Switches
			Armrest Switches		Facia Surround & Thumb Wheel		Tel & Radio Switches
			Armrest Ashtray		Dimmer Switch Insert Plate		
					Fuel & Boot Switches		
					Trip Hazard		
					Light Switch		
					Dimmer Switch Knob & Surround		

* Steering Wheel to be colour-keyed leather, except for 'High' series and North America V6 & V8 (where it is half-leather (colour-keyed), half-wood (Mushroom stained Birds-Eye Maple))
 ** Parcel shelf, speaker, HMSL and rear centre seatbelt escutcheon to be Almond for Ivory Interior Trim theme
 *** Gearknob to be leather trimmed, colour-keyed, except for 'High' series and North America V6 & V8 (where it is Mushroom stained Birds-Eye Maple), or where wooden steering wheel is requested to be fitted as an option
 **** Colour-keyed carpet except for Flint, where colour should be Warm Charcoal
 Interior Door Pull Release is bright finish. Cassette draw 'Growler' badge to be silver and black.
 All boot trim to be Flint
 Seatbelt height adjuster button to be Midnight Black

(1) New Colour Combinations, not applicable to JNA markets
 For Remainder of Trim Refer to Next Page

IP1266A

TRIM COLOUR COMBINATION CHART (P.2) To (Vin) N13088

MODEL	Interior Trim / Seat	Centre Console	Seatbelts	Flange Finisher	Carpets	Headlining
S-TYPE	Almond	Almond	Sable	Warm Charcoal	Sable	Almond
	Cashmere	Cashmere	Sable	Warm Charcoal	Sable	Almond
	Ivory	Ivory	Sable	Warm Charcoal	Sable	Almond
	Pewter	Pewter	Pewter	Warm Charcoal	Granite	Nimbus Grey
	Warm Charcoal	Warm Charcoal	Warm Charcoal	Warm Charcoal	Flint	Nimbus Grey
	Almond (1)	Almond	Sable	Warm Charcoal	Sable	Almond
	Ivory (1)	Ivory	Sable	Warm Charcoal	Sable	Almond
	Cashmere (1)	Cashmere	Sable	Warm Charcoal	Sable	Almond
Other Colour Keyed Parts		Lid - Top/Side	All Buckle Heads		Heel Mats	A Post Upper
		Ashtray Lid	Running Loop		Fr & Rr Door Int	Upper B/C Trim
		Handbrake Gaiter	S/Belt Buckle Cup		Trimplate ^{****}	Summons & Fittings
		Handbrake Grip	Web Stop Button		A Post Lower ^{****}	Fr & Rr Cntr Console
		Rear Vents	S/Belt Tongue			Q/Head
Warm Charcoal Parts		J Bole Surround				Staircase Inside Pull Cup
		Cupholder (Inter)				Fr & Rr Grabhandles
		Ashtray (Interior)				Coat Hook
		Cubby Box (Inter)				S/Mirror Mirror Cover
						Mirror Cover Surround
						Garage Door Opener
						Intruder Sensor
						B/C Bell Adj Bezel
						B/C Slider Screen
						Intrusion Sensor Bezel
					D/E Bell Bezel	
					D/E Post Trim	
					Fr & Rr Cntr Console	
					Q/Head Switches	

* Steering Wheel to be colour-keyed leather, except for 'High' series and North America V6 & V8 (where it is half-leather (colour-keyed), half-wood (Mushroom stained Birds-Eye Maple))
 ** Parcel shelf, spacer, I/MBL and rear centre seatbelt escutcheons to be cut/matched for Ivory Interior Trim theme
 *** Gearknob to be leather trimmed, colour-keyed, except for 'High' series and North America V6 & V8 (where it is Mushroom stained Birds-Eye Maple), or where wooden steering wheel is requested to be fitted as an option
 **** Colour-keyed carpet except for Flint, where colour should be Warm Charcoal
 Interior Door Pull Release is bright finish, Cassette draw 'Growler' badge to be silver and black
 All boot trim to be Flint
 Seatbelt height adjuster button to be Midnight Black
 (1) New Colour Combinations, not applicable to JMA markets
 For Remainder of Trim Refer to Previous Page

IP1267B

TRIM CODES

LEATHER

ALMOND
CASHMERE
IVORY
PEWTER
WARM CHARCOAL
CRANBERRY
SAND
DOVE
HERITAGE TAN
IVORY
CHARCOAL/HERITAGE TAN
CHARCOAL/CRANBERRY
IVORY/CHARCOAL

CODE
AGM
SDZ
NED
LGM
LEG
CGT
ADX
LHJ
ADY
NED
LEV
LEX
LGJ

GRANITE/PEWTER
MINK/ALMOND
SABLE/CASHMERE
SABLE/IVORY
WARM CHARCOAL/ALMOND
WARM CHARCOAL/CASHMERE
WARM CHARCOAL/IVORY
WARM CHARCOAL/WARM CHARCOAL
SABLE/SAND
GRANITE/DOVE
ANTELOPE/OATMEAL
WARM CHARCOAL/DOVE
WARM CHARCOAL/SAND

FACIA

CODE
LGY
AGS
AET
AES
LHF
LHG
LGJ
LEG
ADZ
LHH
AGK
LEY
LHP

CLOTH

ALMOND
CASHMERE
PEWTER
WARM CHARCOAL
SAND
DOVE

CODE
AGM
SDZ
LGM
LEG
ADX
LHJ

PEWTER
SABLE
WARM CHARCOAL
GRANITE

SEATBELTS

CODE
LGM
AEK
LEG
LGP

CARPETS

FLINT GREY
GRANITE
SABLE

CODE
LFN
LGP
AEK

ALMOND
NIMBUS GREY

HEADLINING

CODE
AGM
LFJ

IP1786

TELEMATICS LINK LEADS

MULTI CD	X		X		X		X		X	X	X		X		X	X
PHONE		X	X			X	X				X			X	X	
VOICE				X	X	X	X					X	X	X	X	
NAV								X	X	X	X	X	X	X	X	
PREMIUM																X
LINK LEADS REQ	NONE	NONE	A+J	J	A+J	I	A+I	E	B+K	E+I	B+J	E+I	B+J	E+H	B+I	D+K

MULTI CD	X	X	X	X	X	X	X									
PHONE	X		X		X		X		X		X		X		X	
VOICE		X	X			X	X			X	X			X	X	
NAV				X	X	X	X					X	X	X	X	
PREMIUM	X	X	X	X	X	X	X	X	X	X	X	X	X	X	X	X
LINK LEADS REQ	D+J	D+J	D+I	C+K	C+J	C+J	C+I	G	G+I	G+I	G+H	F	F+I	F+I	F+H	

Code	From M45255 to M94784	From M94785
A	XR8 26721	XR8 48171
B	XR8 26722	XR8 48172
C	XR8 22801	XR8 48173
D	XR8 43891	XR8 48174
E	XR8 43892	XR8 48175
F	XR8 22808	XR8 48176
G	XR8 43893	XR8 48177
H	XR8 37743	XR8 48465
I	XR8 37744	XR8 48466
J	XR8 37745	XR8 48467
K	XR8 37746	XR8 48468

Note: Not fitted prior to M45255