

Z
SERVICE

S-TYPE	Date 08/2000	S501-06
TECHNICAL BULLETIN		

Subject DOOR SWITCH PACK SERVICEABILITY	Model S-TYPE Year All VIN
---	---------------------------------

ISSUE: S501-06 - DOOR SWITCH PACK SERVICEABILITY

This Technical Bulletin has been raised to inform Dealers that replacement bulbs and isolation buttons are now available for driver's door switch packs.

NOTE: The isolation buttons have been made available due to customers displacing the button and losing them.

NOTE: The bulbs within the Switch Pack should only be replaced if they are faulty or blown.

NOTE: On a customer complaint basis of excessively hot switch packs, the bulbs should be replaced in accordance with the procedure below.

NOTE: Complete switch packs must not be replaced for such complaints, as these will be subject to Warranty Audit.

To replace the bulbs, follow the procedure below.

ACTION

Replacement of switch pack bulb and isolation button

- 1 Disconnect the car battery. (See workshop manual, JTIS CD ROM section 414-01)

CAUTION: Ensure that the radio code is available before disconnecting the battery.

- 2 Remove the door casing. (See workshop manual, JTIS CD ROM section 501-05)
- 3 Disconnect the switch pack connector.
- 4 Remove the armrest to expose the switch pack assembly. (See workshop manual, JTIS CD ROM section 501-11)
- 5 Fit the isolation button into the switch pack ensuring it is fully depressed into the housing or until an audible click is heard. (See item 1, Fig. 1)

NOTE: The button can either be replaced at this stage in the procedure, when the switch pack is easily accessible, or, it can be replaced whilst the switch pack is still in the door casing assembly.

- 6 Using a small pair of pointed tweezers, withdraw the faulty/blown bulb from the switch pack assembly and replace.

NOTE: The number of bulbs in the switch pack is dependant upon whether the vehicle is fitted with seat memory control. (See Fig. 1, 2 and 3)

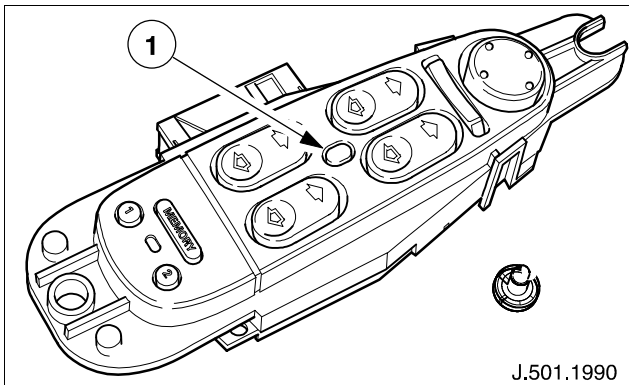


Fig. 1: With Seat Memory Control

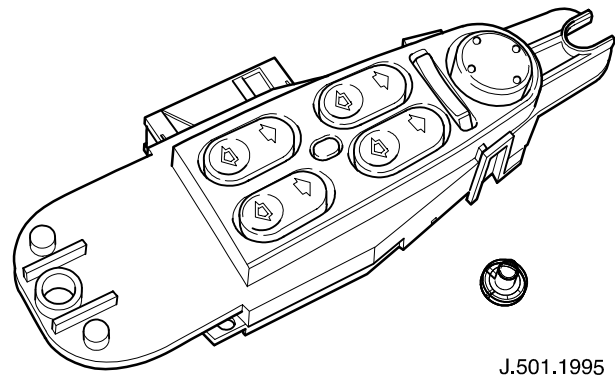


Fig. 2: Without Seat Memory Control

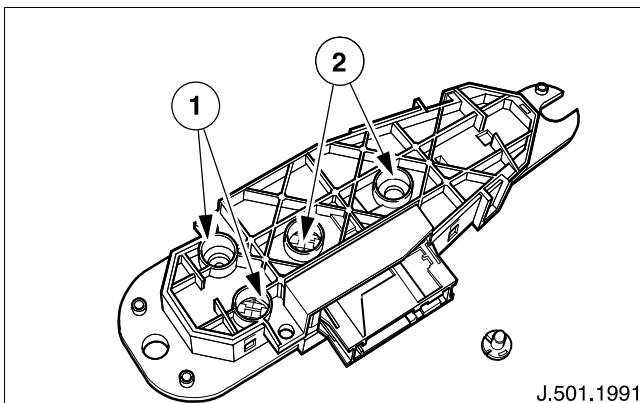


Fig. 3

NOTE: The bulbs shown as item 1 are 50 ma (Blue base) and the bulbs shown as item 2 are 100 ma (Black base). (See Fig. 3)

- 7 Refit the armrest to the door casing assembly. (See workshop manual, JTIS CD ROM section 501-11)
- 8 Re-connect the switch pack connector.
- 9 Refit the door casing. (See workshop manual, JTIS CD ROM section 501-05)
- 10 Re-connect the car battery. (See workshop manual, JTIS CD ROM section 414-01)

PARTS INFORMATION

Description	Part number
Bulb 100ma - Black base with green cover	JLM21552
Bulb 50ma - Blue base with green cover	JLM21553
Isolation Button	JLM 21567

NOTE: Vehicles up to VIN L59837 were fitted with 100ma bulbs for the seat memory control unit, which then changed to 50ma bulbs.

WARRANTY INFORMATION

	Replacing Bulb	Replacing Isolation Button
Warranty code	WY BC 46	WY BB 39
SRO	86-92-62	86-25-59
Labor time allowance (hours)	0.55	0.10