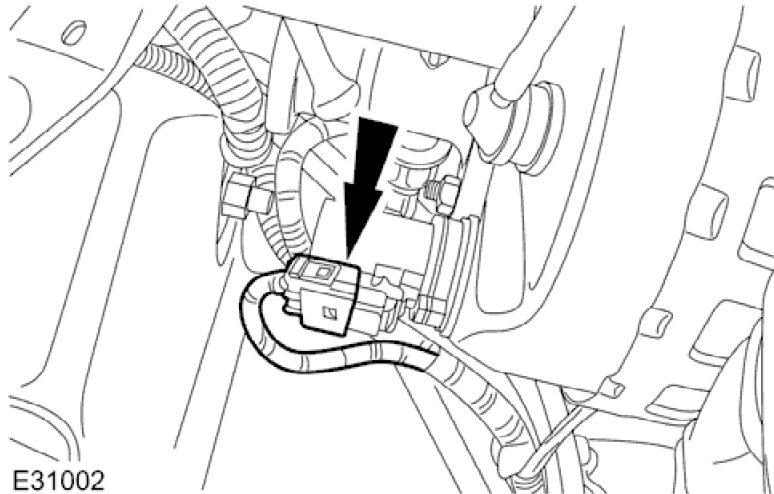


Upper Arm LH 60.35.41

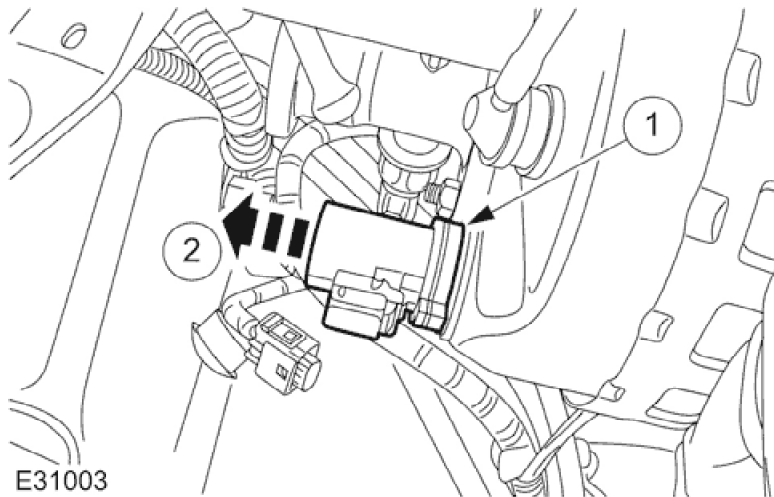
Removal

1. Remove the shock absorber and spring assembly. <<Shock Absorber and Spring Assembly>>
2. Remove the cowl vent screen. <<501-02>>



E31002

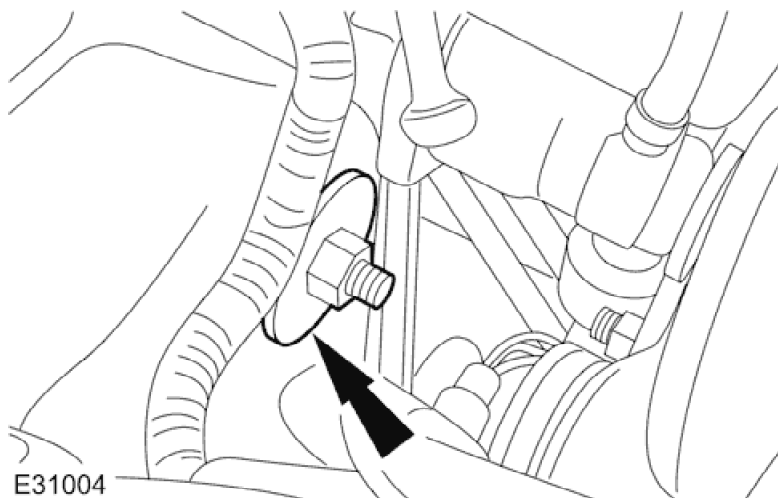
3. Disconnect the electrical connector.



E31003

4. Remove the brake pedal travel sensor.
 1. Remove the brake pedal travel sensor retaining clip.
 2. Remove the brake pedal travel sensor.

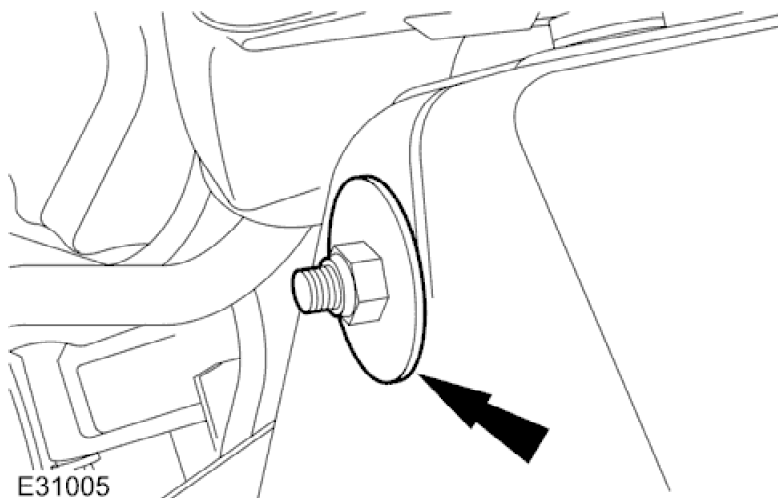
2003 S-TYPE - Front Suspension - 204-01



E31004

5. Remove the upper arm retaining nut.

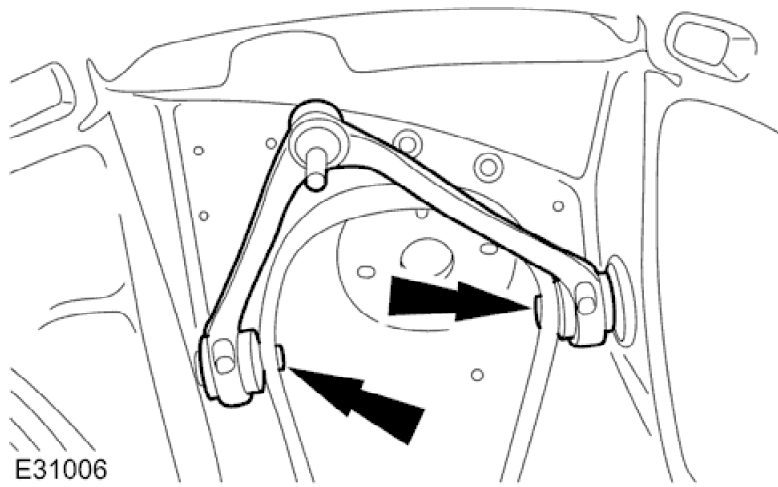
6. Remove the air cleaner assembly. For additional information, refer to <<303-12A>><<303-12B>> or



E31005

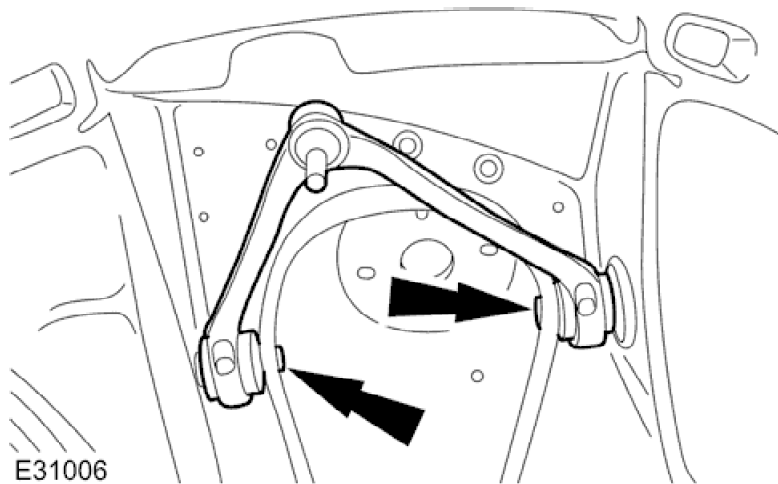
7. Remove the upper arm retaining nut.

2003 S-TYPE - Front Suspension - 204-01



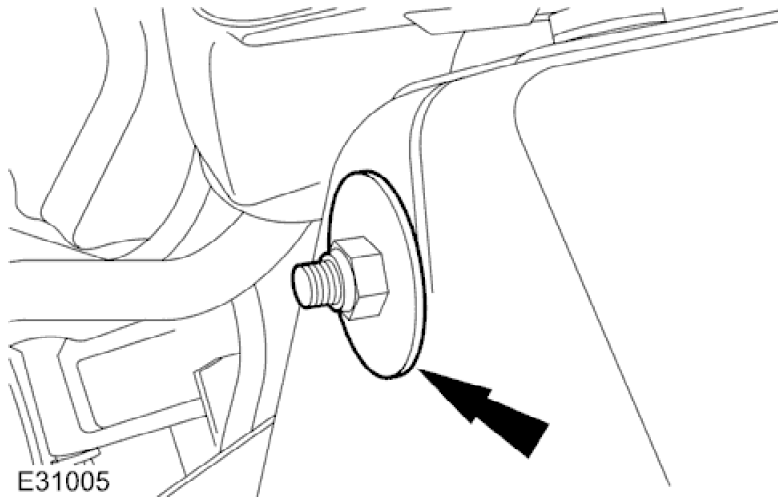
8. Remove the upper arm.

Installation

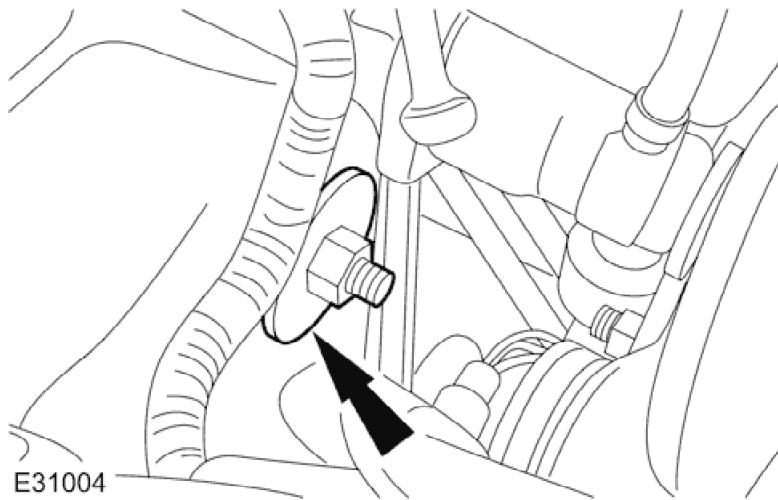


1. Install the upper arm.

2003 S-TYPE - Front Suspension - 204-01



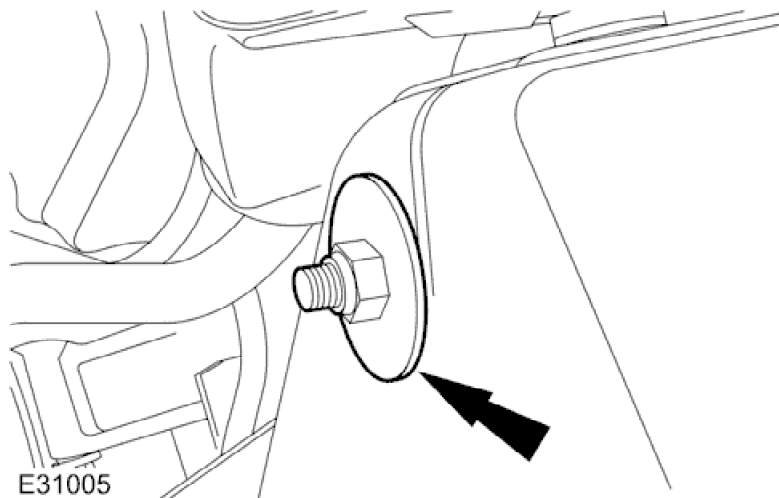
2. Install the upper arm retaining nut.
 - Tighten to 47 Nm.




3. Install the upper arm retaining nut.

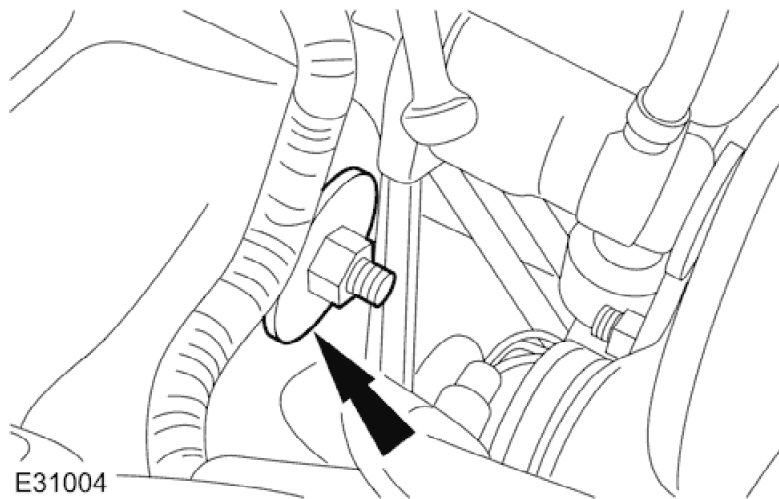
4. Install the shock absorber and spring assembly. <<Shock Absorber and Spring Assembly>>


2003 S-TYPE - Front Suspension - 204-01



5.  **CAUTION:**
The final tightening of the Upper arm retaining nut must be carried out with the vehicle on its wheels.

Tighten to 47 Nm.

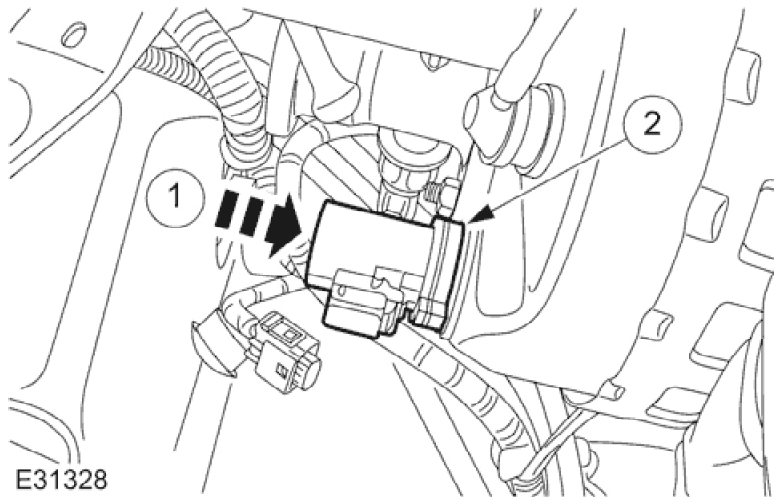


6.  **CAUTION:**
The final tightening of the Upper arm retaining nut must be carried out with the vehicle on its wheels.

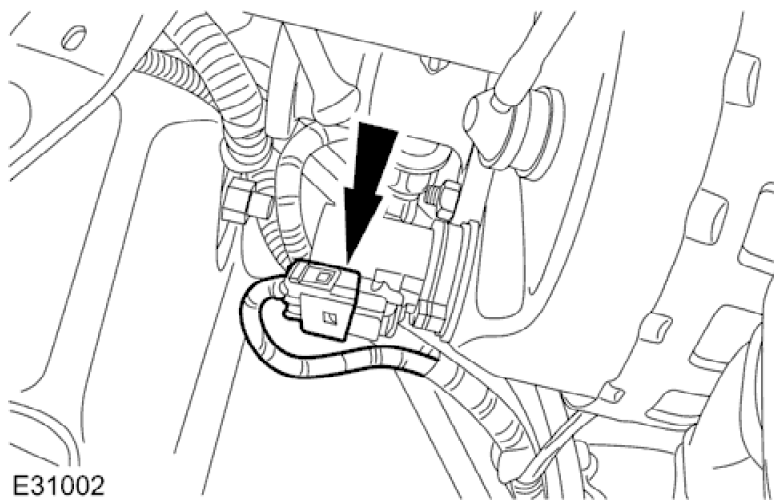
Tighten to 47 Nm.

7. Install the air cleaner assembly. For additional information, refer to <<303-12A>><<303-12B>> or

2003 S-TYPE - Front Suspension - 204-01



8. Install the brake pedal travel sensor.
 1. Install the brake pedal travel sensor retaining clip.
 2. Install the brake pedal travel sensor retaining clip.



9. Connect the electrical connector.

10. Install the cowl vent screen. <<501-02>>