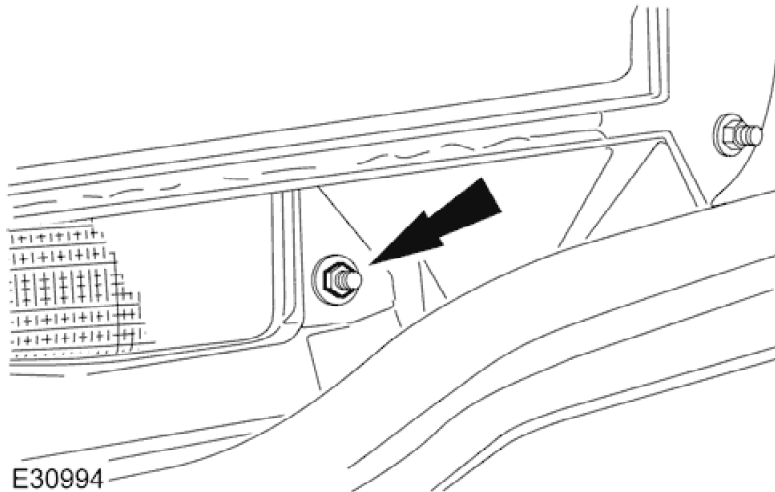


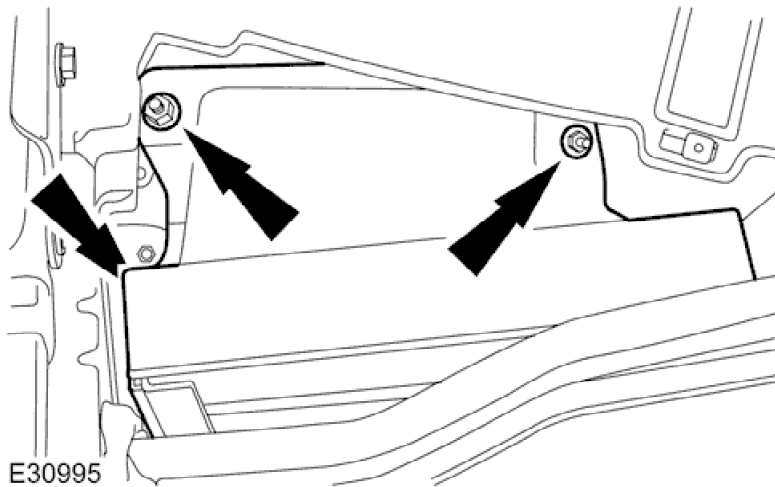
Upper Arm RH 60.35.42

Removal

1. Remove the shock absorber and spring assembly. <<**Shock Absorber and Spring Assembly**>>
2. Remove the cabin air filter. <<**412-01**>>

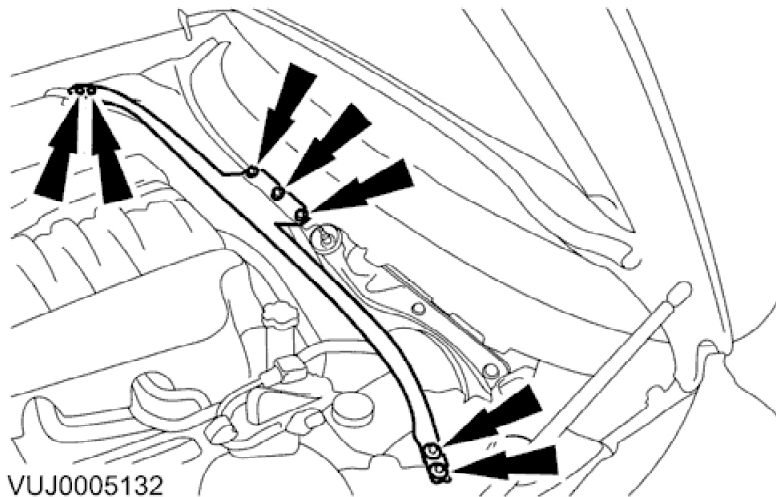


3. Remove the cabin air filter housing retaining nut.

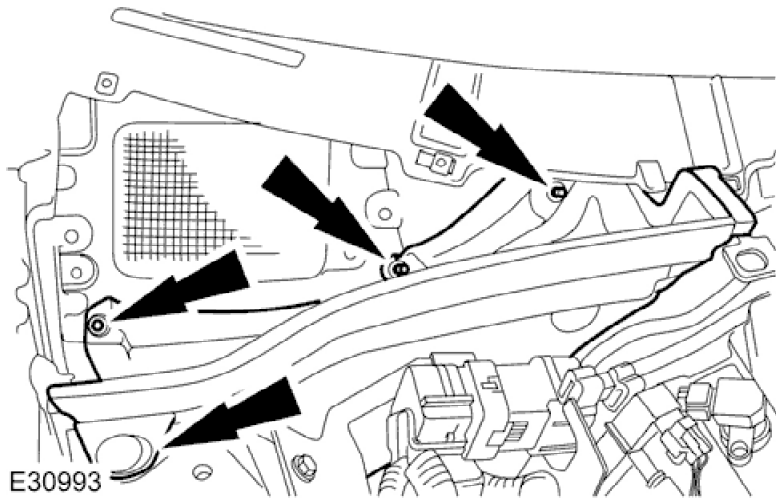


4. Remove the cabin air filter housing.

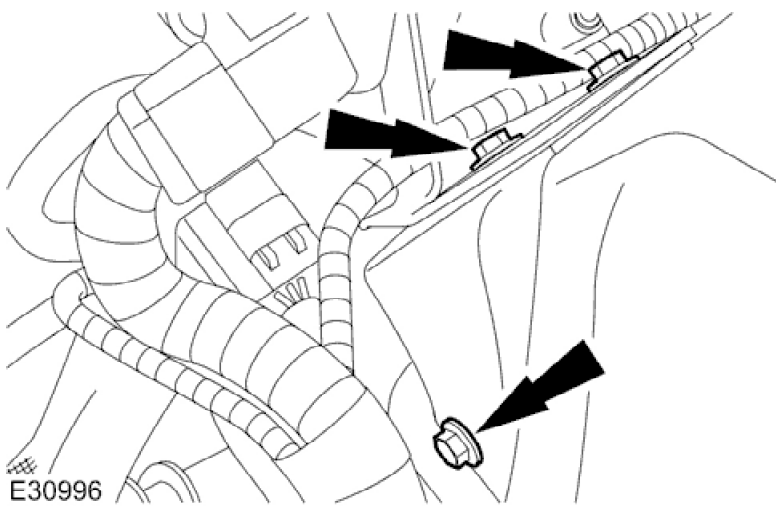
2003 S-TYPE - Front Suspension - 204-01



5. Remove the engine compartment support.

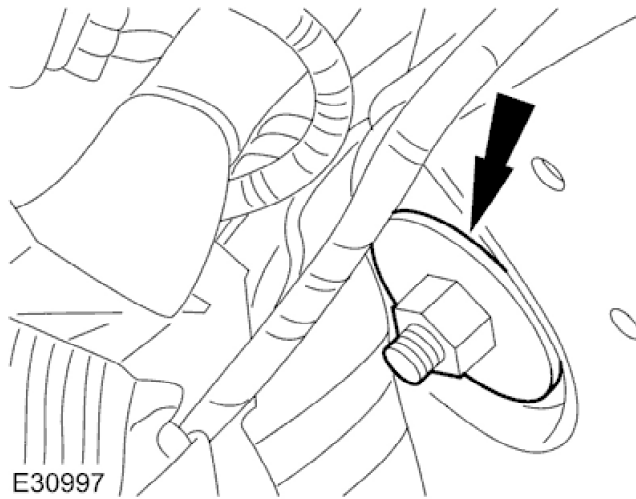


6. Remove the engine compartment panel.

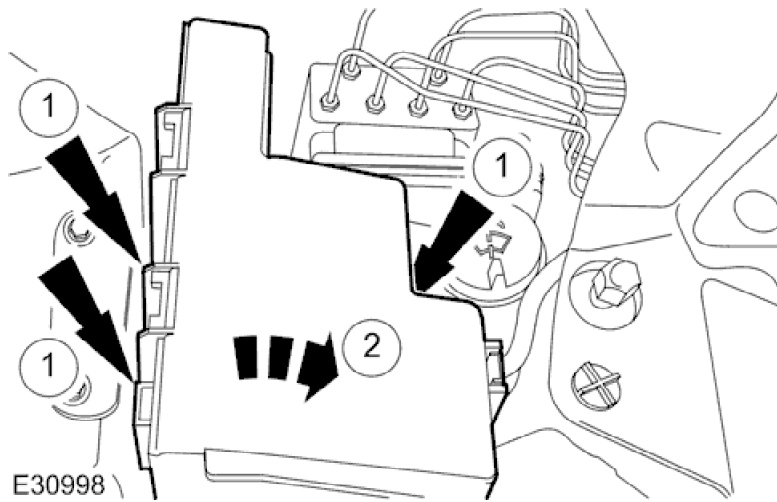


7. Detach the wiring harness mounting bracket.

2003 S-TYPE - Front Suspension - 204-01



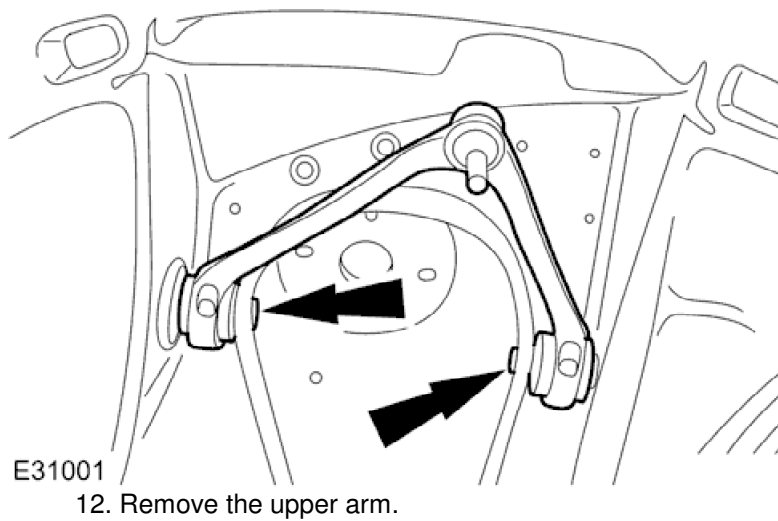
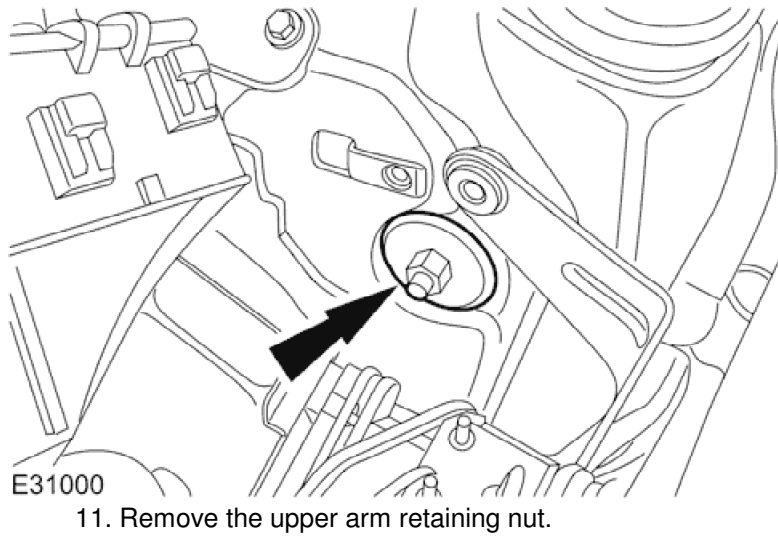
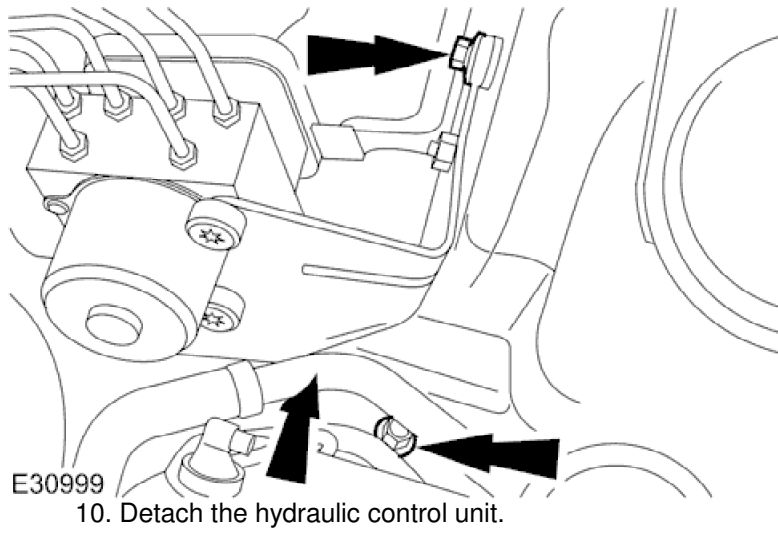
8. Remove the upper arm retaining nut.



9. Detach the engine compartment battery junction box.

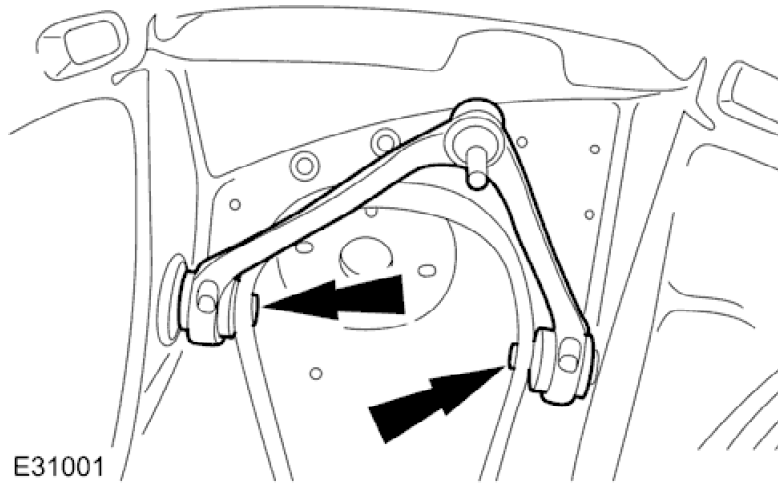
1. Release the engine compartment battery junction box retaining clips.
2. Detach the engine compartment battery junction box.

2003 S-TYPE - Front Suspension - 204-01



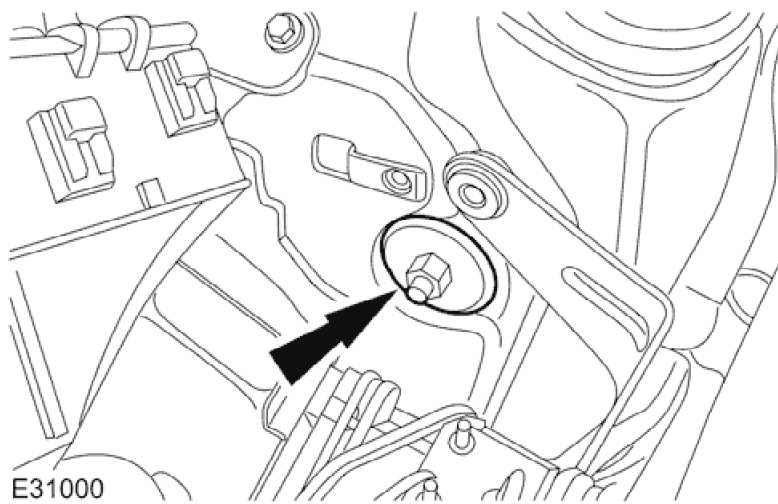
2003 S-TYPE - Front Suspension - 204-01

Installation



E31001

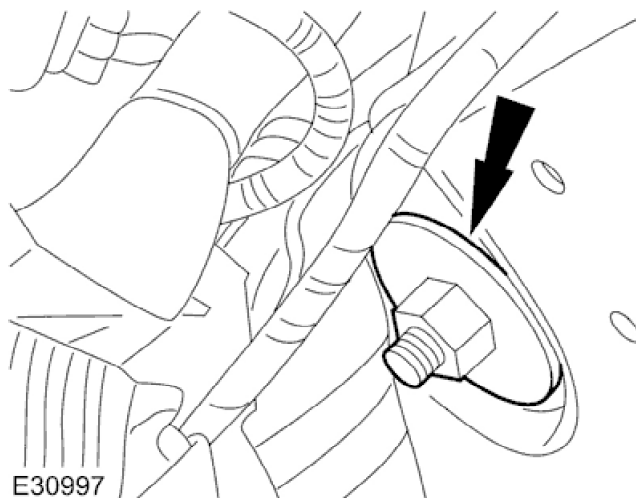
1. Install the upper arm.



E31000

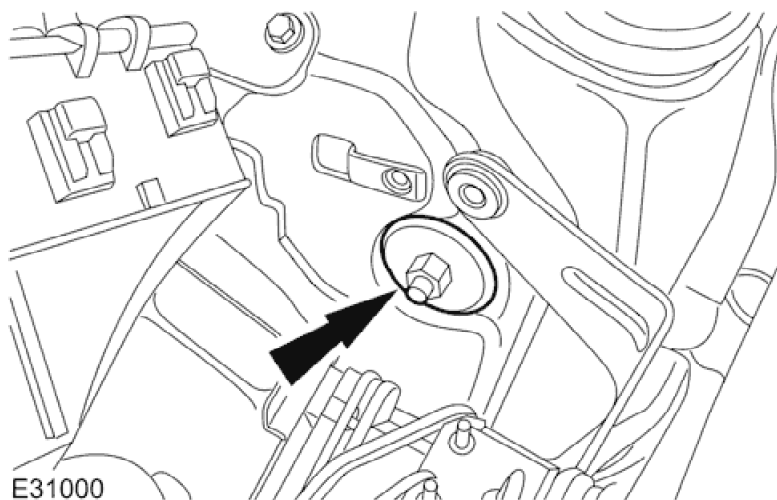
2. Install the upper arm retaining nut.


2003 S-TYPE - Front Suspension - 204-01



3. Install the upper arm retaining nut.

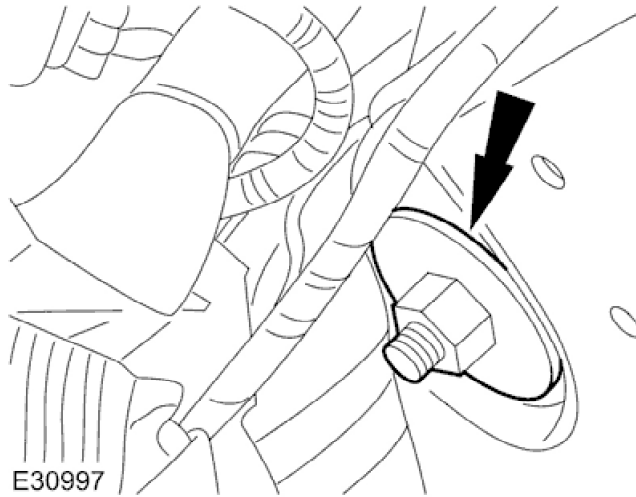
4. Install the shock absorber and spring assembly. <<Shock Absorber and Spring Assembly>>




5.  **CAUTION:**
The final tightening of the Upper arm retaining nut must be carried out with the vehicle on its wheels.

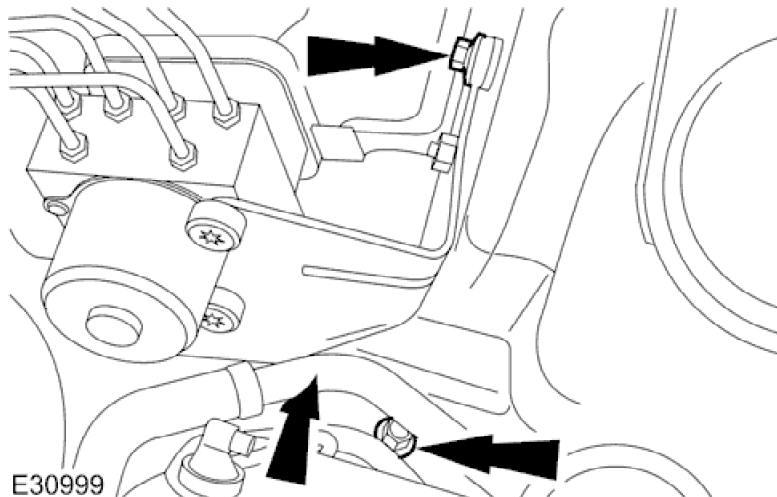
Tighten to 47 Nm.

2003 S-TYPE - Front Suspension - 204-01



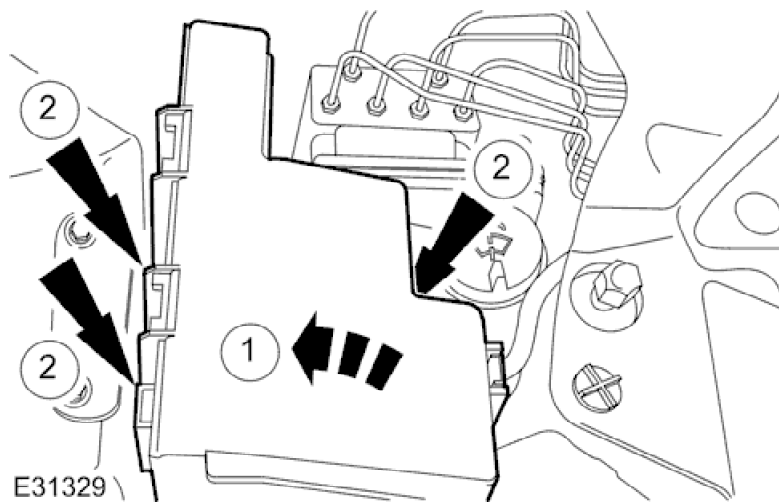
6.  **CAUTION:**
The final tightening of the Upper arm retaining nut must be carried out with the vehicle on its wheels.

Tighten to 47 Nm.

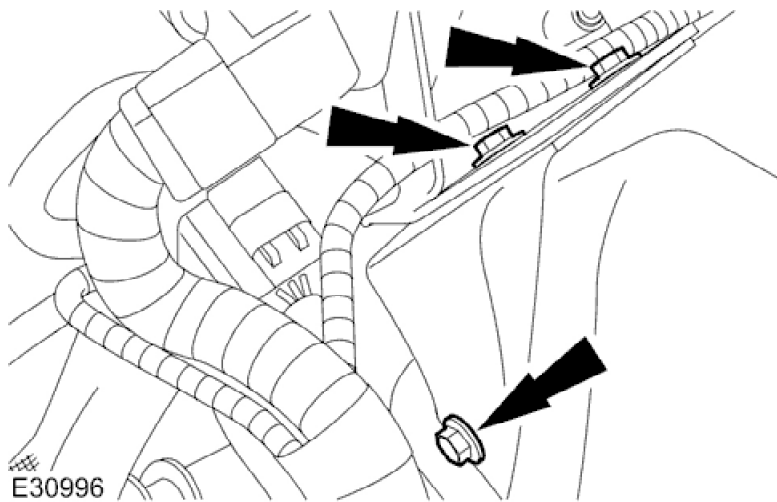


7. Attach the hydraulic control unit.

2003 S-TYPE - Front Suspension - 204-01

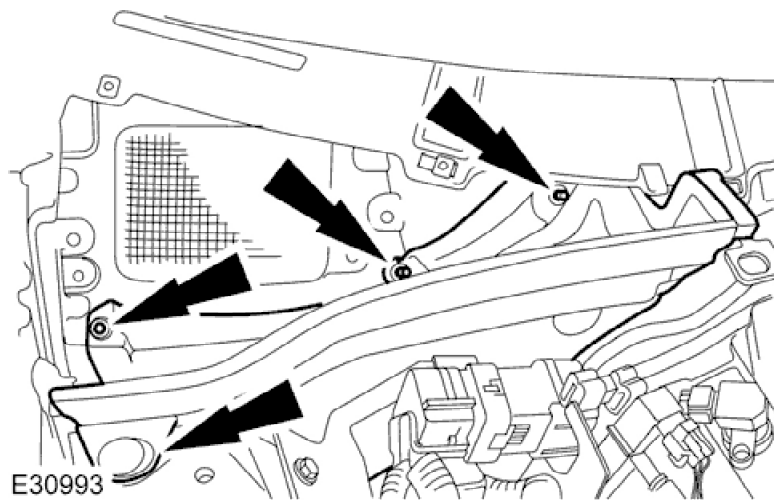


8. Attach the engine compartment battery junction box.
1. reposition the engine compartment battery junction box .
2. Attach the engine compartment battery junction box.

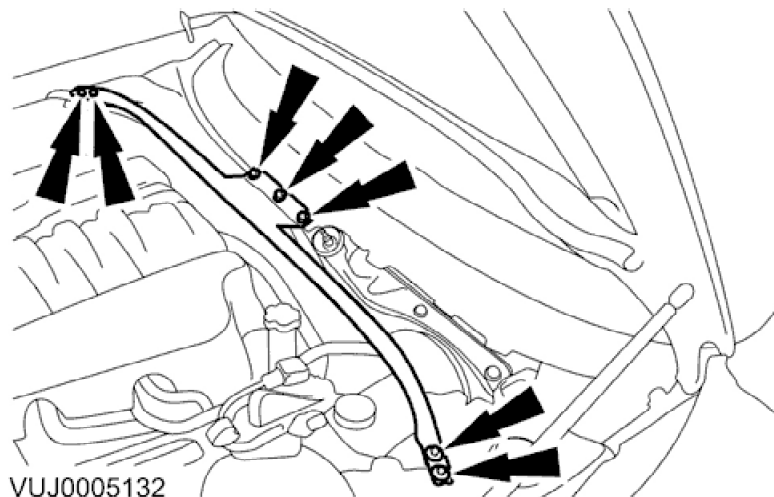


9. Attach the wiring harness mounting bracket.

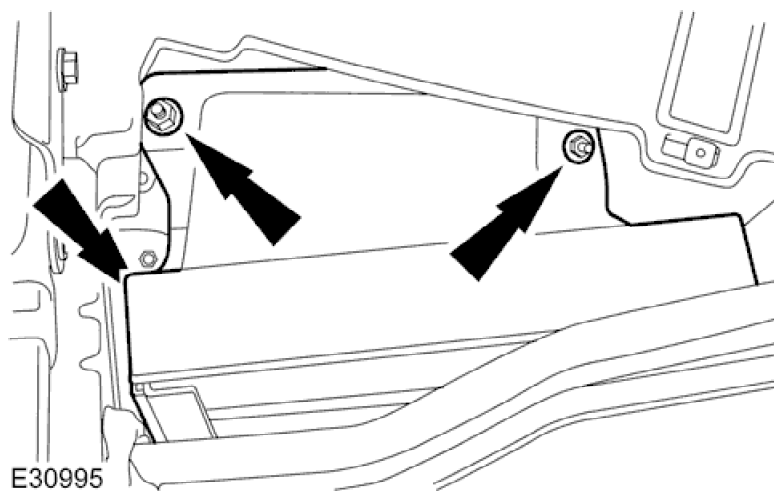
2003 S-TYPE - Front Suspension - 204-01



10. Install the engine compartment panel.

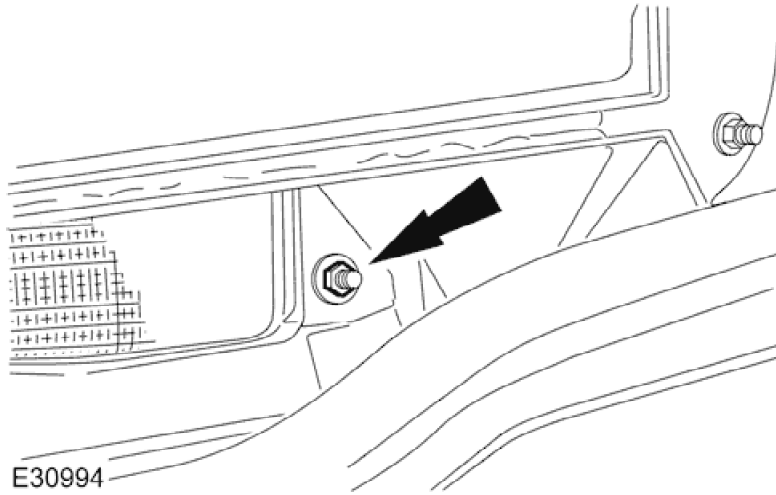


11. Install the engine compartment support.



12. Install the cabin air filter housing.

2003 S-TYPE - Front Suspension - 204-01



E30994

13. Install the cabin air filter housing retaining nut.

14. Install the cabin air filter. <<412-01>>