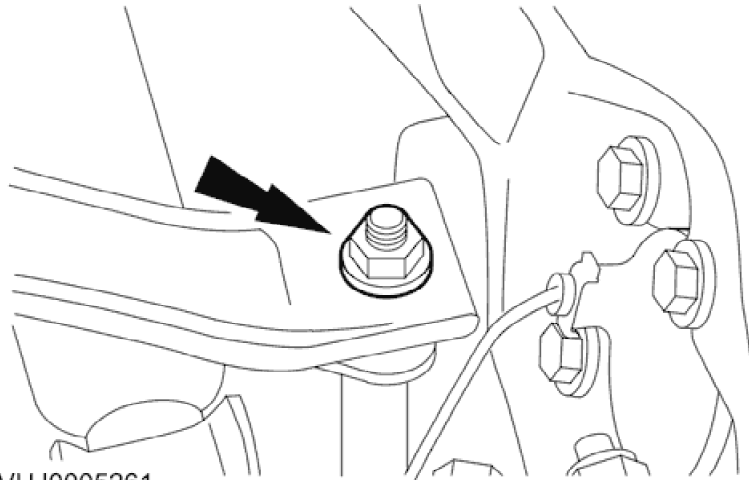


## Shock Absorber and Spring Assembly 60.30.02

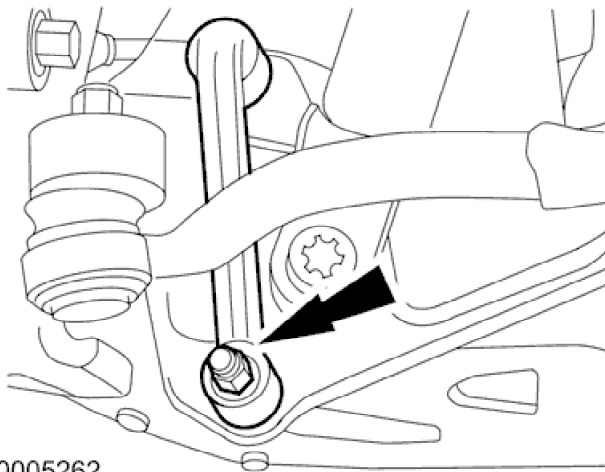
### Removal

1. Remove the wheel and tire. <<204-04>>



VUJ0005261

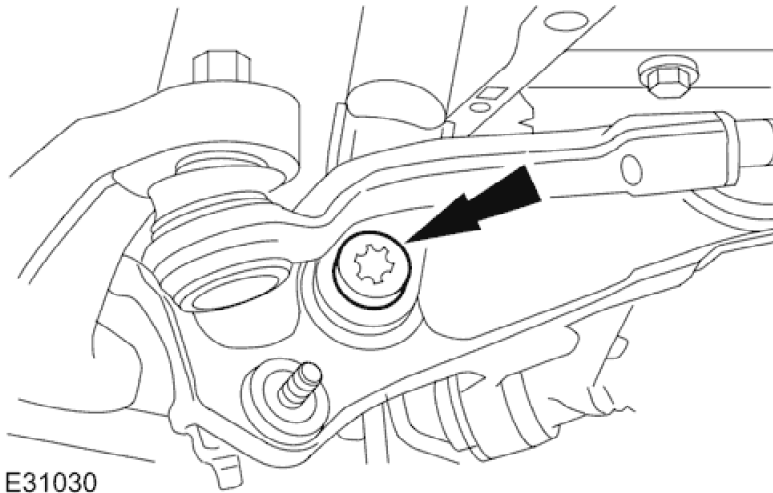
2. Remove the stabilizer bar link retaining nut.



VUJ0005262

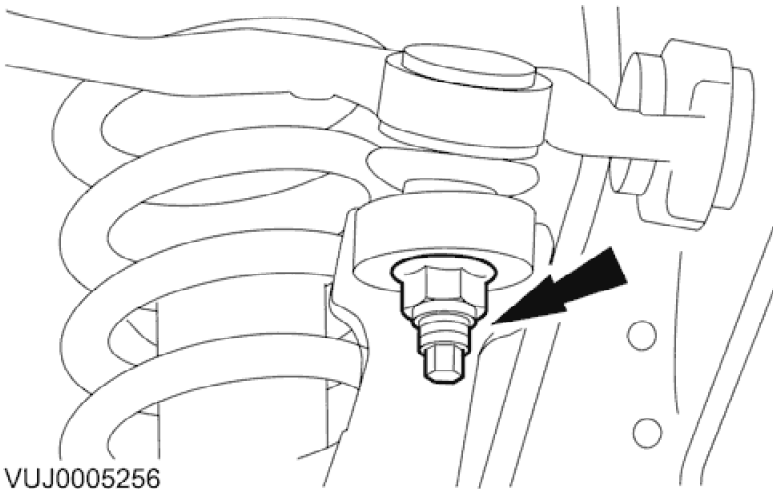
3. Remove the stabilizer bar link.

## 2003 S-TYPE - Front Suspension - 204-01




E31030

4. Detach the shock absorber.



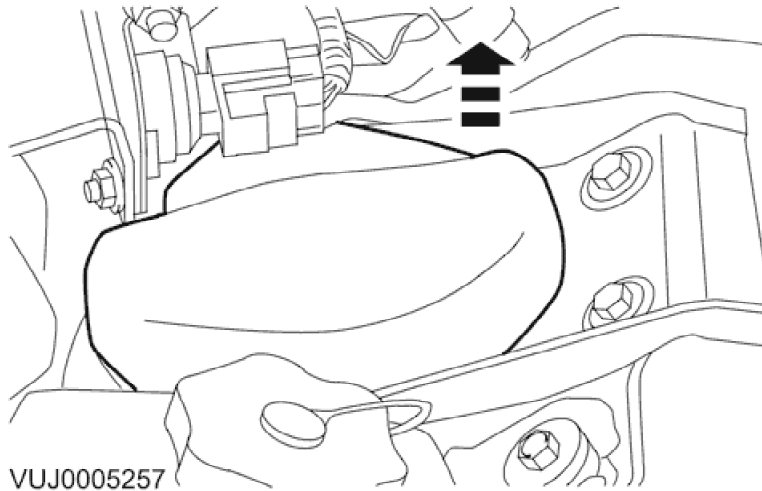
VUJ0005256

5.  **CAUTION:**  
Make sure the wheel knuckle is supported. Failure to follow these instructions may result in damage to the vehicle.

Detach the upper arm.

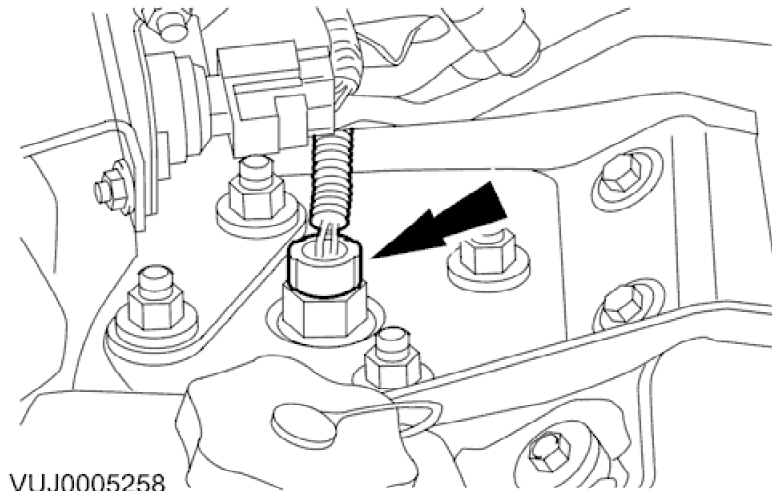
6. Lower the vehicle.

## 2003 S-TYPE - Front Suspension - 204-01



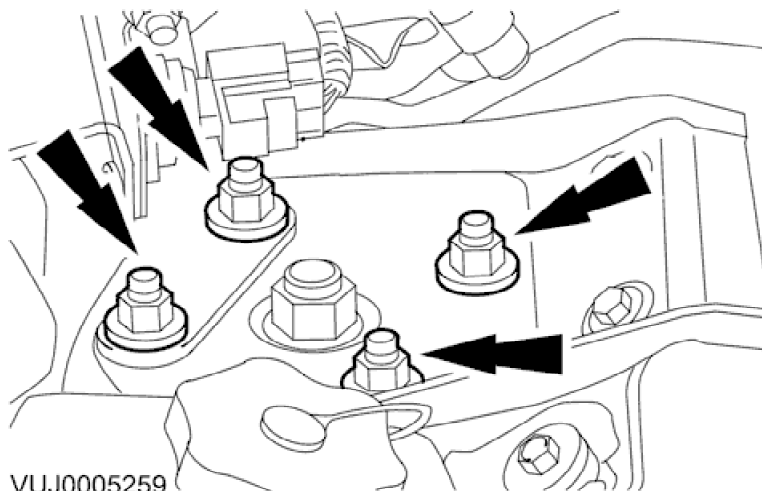
VUJ0005257

7. Remove the shock absorber and spring assembly mounting cover plate.



VUJ0005258

8. Disconnect the electrical connector.

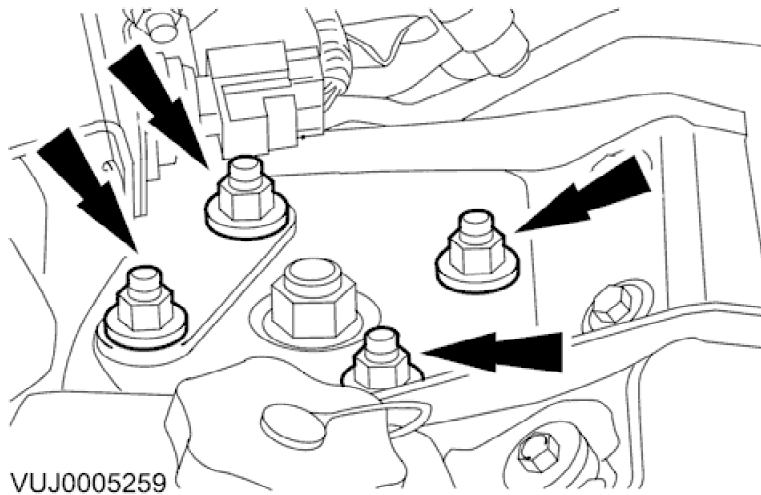


VUJ0005259

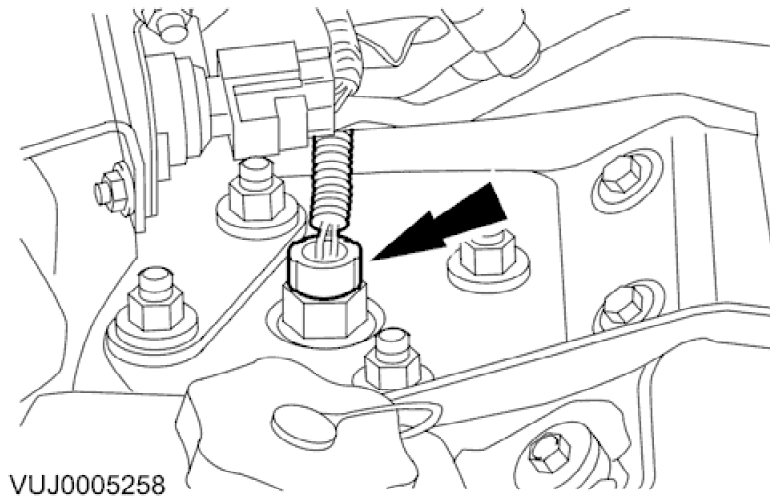
9. Remove the shock absorber and spring assembly.

# 2003 S-TYPE - Front Suspension - 204-01

## Installation

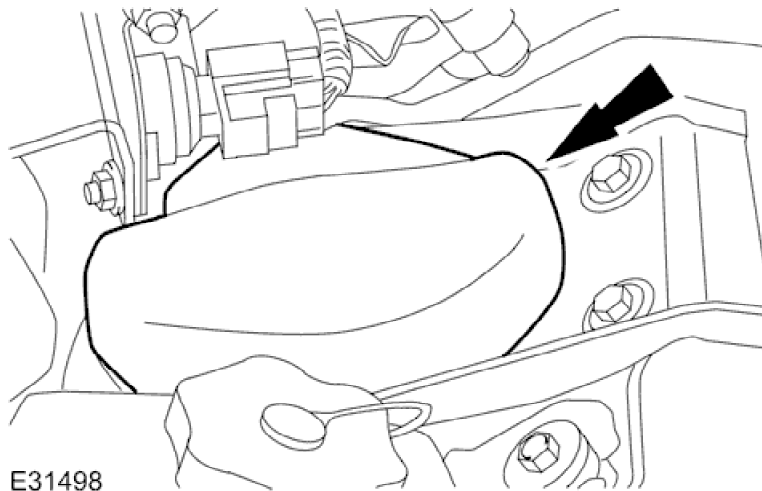


1. Install the shock absorber and spring assembly.  
1. Tighten to 27 Nm.

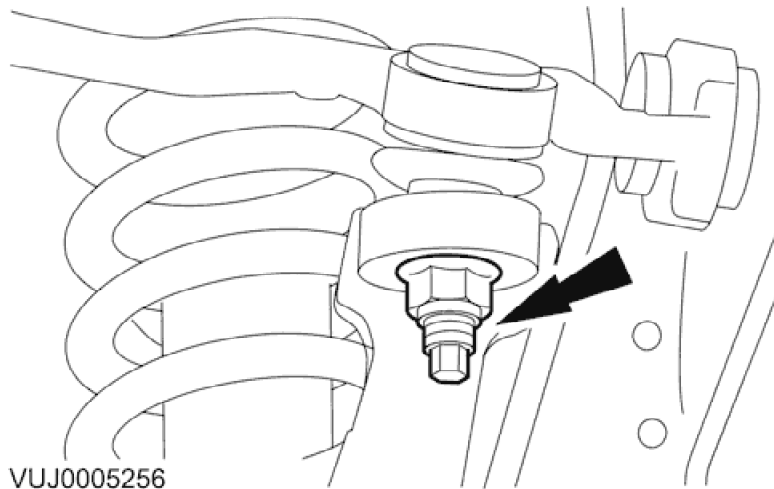



2. Connect the electrical connector.

## 2003 S-TYPE - Front Suspension - 204-01



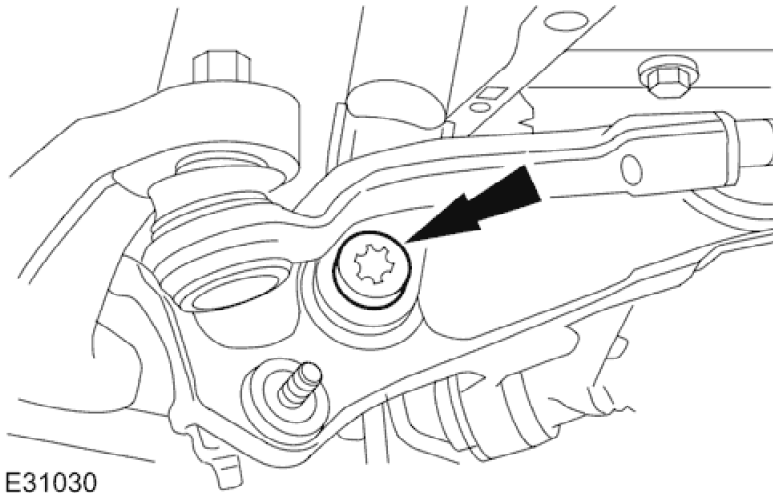
3. Install the shock absorber and spring assembly mounting cover plate.



4.  **CAUTION:**  
Make sure the wheel knuckle is supported. Failure to follow these instructions may result in damage to the vehicle.

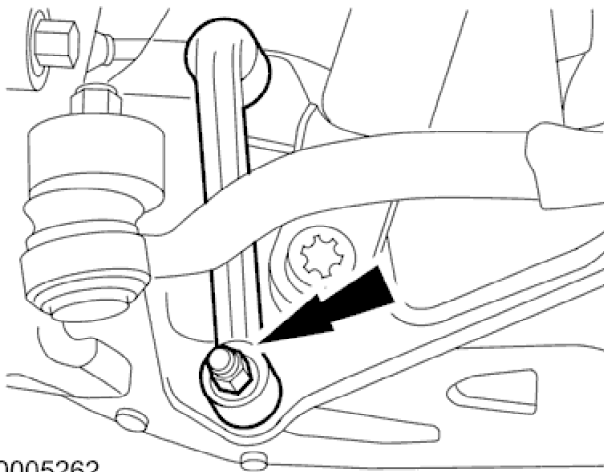
Attach the upper arm.  
1. Tighten to 90 Nm.

## 2003 S-TYPE - Front Suspension - 204-01



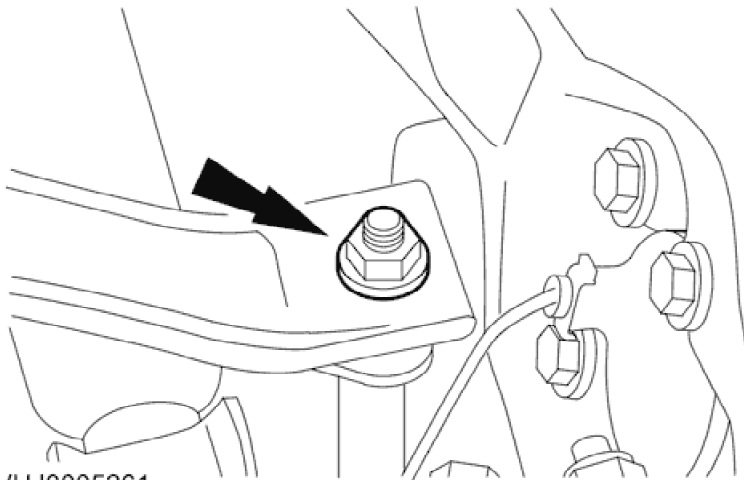
E31030

5. Attach the shock absorber.
  - Tighten to 175 Nm.



VUJ0005262

6. Install the stabilizer bar link.

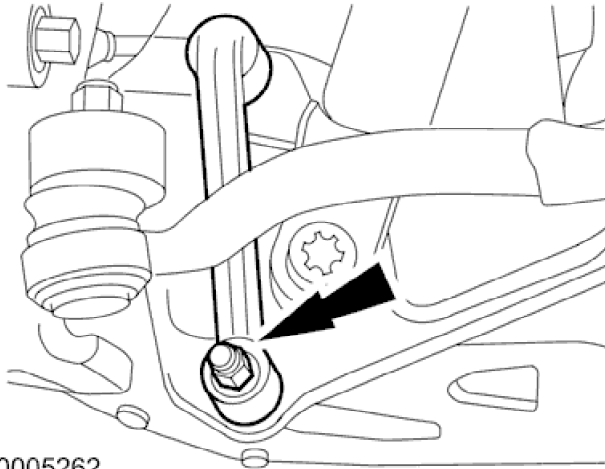


VUJ0005261

## 2003 S-TYPE - Front Suspension - 204-01

7. Attach the stabilizer bar link.
  - Tighten to 47 Nm.

8. Install the wheel and tire assembly. <<204-04>>



VUJ0005262

9. Tighten to 70 Nm.