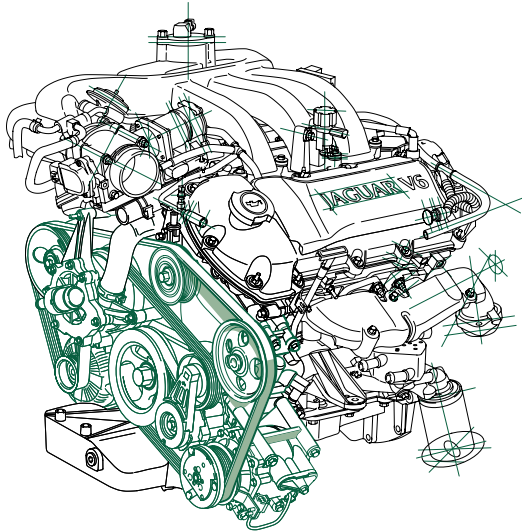


# Vehicle Specifications



07/2004





Using correct and up-to-date technical data and specifications when servicing Jaguar Vehicles is important to ensure a safe and trouble free operation.

This booklet is produced to assist Jaguar Service Technicians in their task of providing first class repairs and service to Jaguar Vehicles. Enabling them to achieve the high standard of workmanship customers expect from Jaguar Dealers.

The date printed on the front cover is the issue date of the booklet. The booklet will be updated and reissued periodically to enable the inclusion of new and modified data.

In between these updates we recommend that information issued in publications, such as Technical Service Bulletins, which supersedes the information issued here should be entered by hand into this booklet.

| <b>SECTION</b>  | <b>PAGE</b> |
|---|-------------|
| Vehicle Identification Numbers (VIN) . . . . .                                  | 1           |
| Location of Powertrain Identification Codes . . . . .                           | 4           |
| Engine Data . . . . .   | 10          |
| Engine Cylinder Numbering and Firing Order . . . . .                            | 16          |
| Engine Valve Clearances . . . . .   | 20          |
| Spark Plug Specification . . . . .  | 21          |
| Engine Oil – Specification and Capacity . . . . .                               | 25          |
| Rear Axle Differential Ratio . . . . .  | 38          |
| Transmission and Differential Lubricants – Specification and Capacity . . . . . | 43          |
| Engine Coolant – Specification and Capacity . . . . .                           | 47          |
| Air Conditioning – Specification and Capacity . . . . .                         | 51          |
| Power Steering Fluid – Specification and Capacity . . . . .                     | 52          |
| Tire Specification (Original Equipment) . . . . .                               | 56          |
| Tire Specification (Winter) . . . . .   | 62          |
| Tire Pressures (Original Equipment) . . . . .                                   | 65          |
| Tire Pressures (Winter) . . . . .   | 76          |
| Vehicle Ride Heights . . . . .  | 77          |
| Wheel Alignment – Front . . . . .   | 86          |
| Wheel Alignment – Rear . . . . .  | 100         |
| Tightening Torques – Wheel Nuts . . . . .                                       | 106         |
| Tightening Torques – V8 Gasoline Engine . . . . .                               | 107         |
| Tightening Torques – V6 Gasoline Engine . . . . .                               | 111         |
| Tightening Torques – V6 Diesel Engine . . . . .                                 | 117         |
| Tightening Torques – 2.0 Liter Diesel Engine . . . . .                          | 120         |
| Tightening Torques and Sequence – Cylinder Heads . . . . .                      | 123         |
| Tightening Torques and Sequence – Intake and Exhaust Manifolds . . . . .        | 127         |
| Accessory Drive Belt Installation . . . . .                                     | 134         |

## Vehicle Identification Number

## Notes

It is essential that the vehicle identification number (VIN) is quoted when ordering parts, and in all associated correspondence.

### XJ

**Up to 2003.5 MY:** Dependent upon market, the VIN and other information are displayed on a label located either on the rear edge of the left-hand front door or on the body front-upper crossmember. The VIN stamping is located on the right-hand-side of the luggage compartment and a quick reference plate is visible through the left-hand lower corner of the windshield.

**2003.5 MY onwards:** The VIN and other information are displayed on a label located on left-hand "A" pillar. The VIN stamping is located on the right-hand-side of the luggage compartment and a quick reference plate is visible through the left-hand lower corner of the windshield.

### XK

The VIN and other information are displayed on a label located on the left-hand "B" pillar above the door striker plate. The VIN stamping is located on the right-hand-side of the luggage compartment and a quick reference plate is visible through the left-hand lower corner of the windshield.

### S-TYPE

The VIN and other information are displayed on a label located on left-hand "A" pillar. The VIN stamping is located on the right-hand-side of the luggage compartment and a quick reference plate is visible through the left-hand lower corner of the windshield.

### X-TYPE

The VIN and other information are displayed on a label, located on:

- early vehicles, the left-hand "A" pillar,
- later vehicles, bottom of the left-hand "B" pillar.

The VIN stamping is located on the right-hand-side of the luggage compartment and a quick reference plate is visible through the left-hand lower corner of the windshield.

## Vehicle Identification Numbers (VIN)

2

| Model Year  | VIN    |         |
|---|--------|---------|
|   | From   | To      |
| <b>XJ</b>   |        |         |
| 1998  | 812317 | 853935  |
| 1999  | 853936 | 878717  |
| 2000  | F00103 | F20644  |
| 2001  | F20645 | F41862  |
| 2002  | F41863 | F59525  |
| 2003.5  | G00442 | G12877  |
| 2004  | G12878 | G34526  |
| 2005  | G34527 | Current |
| <p>1998 – Introduction of V8 3.2L Gasoline Engine.<br/>                     1998 – Introduction of V8 4.0L N/A and SC Gasoline Engine.<br/>                     2003.5 – Introduction of New XJ.<br/>                     2003.5 – Introduction of V6 3.0L Gasoline Engine.<br/>                     2003.5 – Introduction of V8 3.5L Gasoline Engine.<br/>                     2003.5 – Introduction of V8 4.2L N/A and SC Gasoline Engine.<br/>                     2005 – Introduction of LWB.</p> |        |         |

| Model Year  | VIN    |         | <u>Notes</u> |
|---|--------|---------|--------------|
|   | From   | To      |              |
| <b>XK</b>   |        |         |              |
| 1997  | 001246 | 018107  |              |
| 1998  | 018108 | 024686  |              |
| 1998.75   | 024687 | 031302  |              |
| 1999  | 031303 | 042775  |              |
| 2000  | A00116 | A11139  |              |
| 2001  | A11140 | A24195  |              |
| 2002  | A24196 | A30644  |              |
| 2003  | A30645 | A35154  |              |
| 2003.5  | A35155 | A36873  |              |
| 2004  | A36874 | A40264  |              |
| 2004.5  | A40265 | Current |              |
| <p>1997 – Introduction of V8 4.0L N/A Gasoline Engine.<br/>                     1998.75 – Introduction of V8 4.0L SC Gasoline Engine.<br/>                     2003 – Introduction of V8 4.2L N/A and SC Gasoline Engine.</p> |        |         |              |

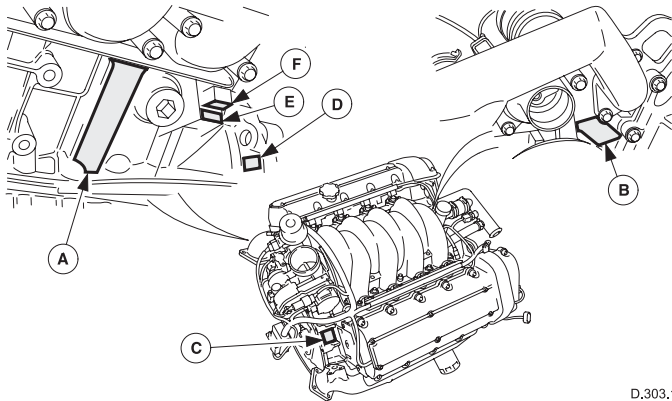
## Vehicle Identification Numbers (VIN)

| Model Year  | VIN    |         |
|---|--------|---------|
|   | From   | To      |
| <b>S-TYPE</b>   |        |         |
| 1999.25   | L00600 | L31320  |
| 2000  | L31321 | L52822  |
| 2000.5  | L52823 | L86901  |
| 2001  | L86902 | M45254  |
| 2002.5  | M45255 | M62935  |
| 2003  | M62936 | M94764  |
| 2004  | M94765 | N13088  |
| 2004.5  | N13089 | N14070  |
| 2004.75   | N14071 | Current |
| <p>1999.25 – Introduction of V6 3.0L Gasoline Engines.<br/>                     1999.25 – Introduction of V8 4.0L Gasoline Engines.<br/>                     2002.5 – Introduction of V6 2.5L Gasoline Engines.<br/>                     2002.5 – Introduction of V8 4.2L N/A and SC Gasoline Engine.<br/>                     2004.75 – Introduction of V6 2.7L Diesel Engine.</p> |        |         |

| Model Year   | VIN    |         | Notes |
|--|--------|---------|-------|
|  | From   | To      |       |
| <b>X-TYPE</b>  |        |         |       |
| 2001.5   | C00344 | C42384  |       |
| 2002   | C42385 | C59260  |       |
| 2002.25  | C59261 | D01807  |       |
| 2003   | D01808 | D55321  |       |
| 2004.25  | D55322 | D86654  |       |
| 2004.5   | D86655 | Current |       |
| <p>2001.5 – Introduction of V6 2.5 Gasoline Engines<br/>                     2001.5 – Introduction of V6 3.0 Gasoline Engines<br/>                     2002.25 – Introduction of V6 2.0 liter Gasoline Engine<br/>                     2004.25 – Introduction of inline 4cyl 2.0 liter Diesel Engine<br/>                     2004.5 – Introduction of Estate (VIN D88174)</p> |        |         |       |

## V8 Gasoline (XJ, XK and S-TYPE) – Engine Identification Codes

Notes



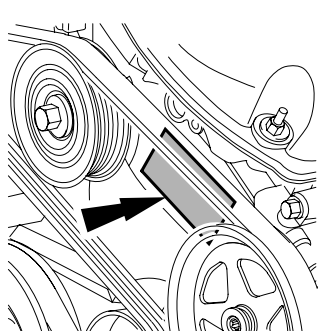
D.303.1697

- A Engine Technical Data, also Serial Number from 2001 MY
- B Serial Number up to 2001 MY
- C Emission Code XJ and XK
- D S-TYPE Emission Code, primary position (up to VIN M51309)
- E S-TYPE Emission Code, primary position (VIN M51310 onwards), also XJ 2003.5 MY
- F S-TYPE Emission Code, secondary position for amended codes, also XJ 2003.5 MY

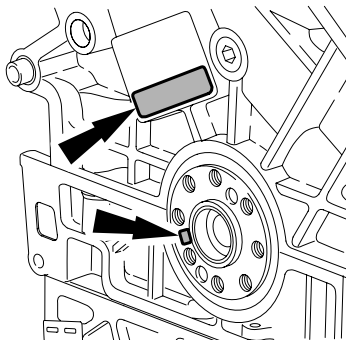


## V6 Gasoline (XJ and S-TYPE) – Engine Identification Codes

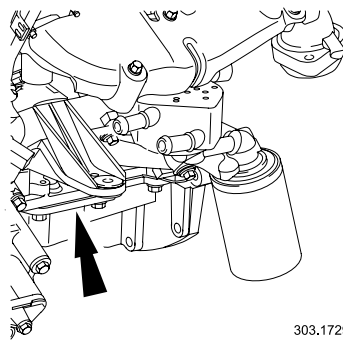
Notes



Engine Identification Code



Mains Bearing Selection Codes

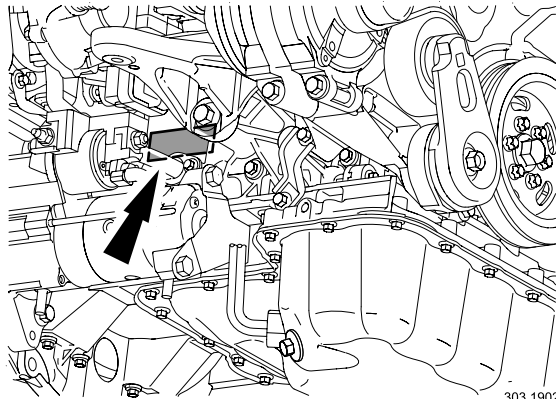
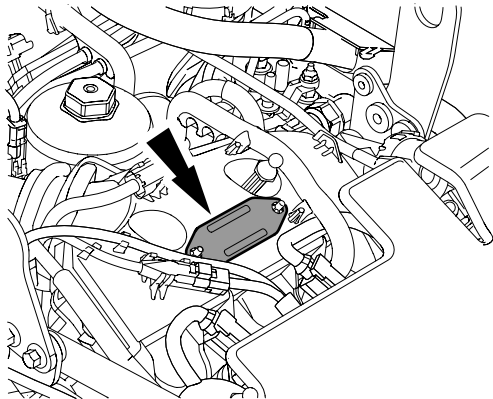


303.1729

Serial Number and Emission Code

## V6 Diesel (S-TYPE) – Engine Identification Codes

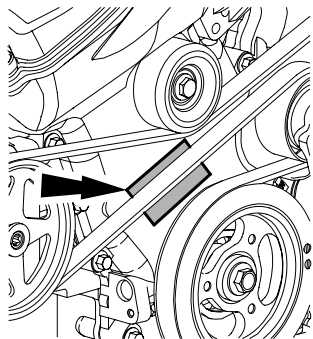
Notes



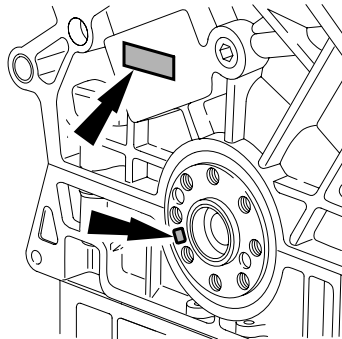
Engine Identification Code, Serial Number and Emission Code (Two Positions)

## V6 Gasoline (X-TYPE) – Engine Identification Codes

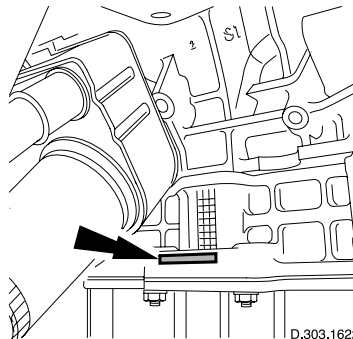
Notes



Engine Identification Code



Mains Bearing Selection Codes

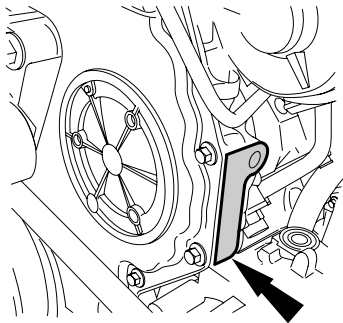


D.303.1622

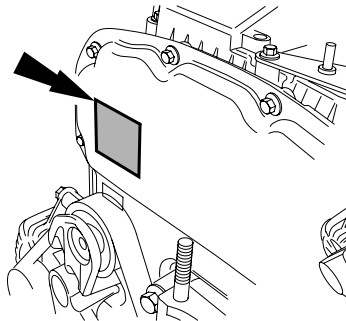
Serial Number and Emission Code

## 2.0 Liter Diesel (X-TYPE) – Engine Identification Codes

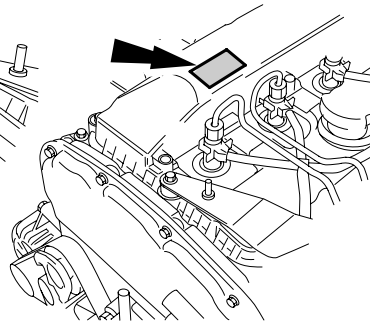
Notes



Serial Number and Emission Code



Engine Identification Code



Fuel Injector Codes

303.175

### All Vehicles: Transmission and Final Drive Identification Codes

Transmission: the serial numbers are either stamped on the casing, or displayed on a metal plate or bar-code label attached to the casing.

Final drive unit: serial numbers are either stamped on the casing, or displayed on a metal label or bar-code label attached to the units casing.

### Notes

| Model/<br>Engine  | Engine<br>Capacity                               | Engine<br>Description                | Max. Engine<br>Torque<br>(DIN)       | Max. Engine<br>Power<br>(DIN)               | Max. Engine<br>Torque<br>(EC and SAE) | Max. Engine<br>Power<br>(EC and SAE)        | Comp.<br>Ratio            | Bore                  | Stroke                |
|---|--|--------------------------------------|--------------------------------------|---|---------------------------------------|---|---------------------------|-----------------------|-----------------------|
| <b>X): 1998 up to 2003.5 MY – VIN From 812317 To F59525</b> |  |                                      |                                      |   |                                       |   |                           |                       |                       |
| 3.2 liter<br>Gasoline                                       | 3248 cm <sup>3</sup><br>(198.2 in <sup>3</sup> ) | 90° “Vee”<br>8 Cylinder<br>32 Valves | 316 Nm /<br>233 lb ft<br>at 4350 RPM | 240 BHP /<br>179 kW / 243 PS<br>at 6350 RPM | 310 Nm /<br>228 lb ft<br>at 4350 RPM  | 233 BHP /<br>174 kW / 237 PS<br>at 6350 RPM | 10.5 : 1<br>±<br>0.5 : 1  | 86.0 mm<br>(3.386 in) | 70.0 mm<br>(2.756 in) |
| 4.0 liter<br>Gasoline                                       | 3996 cm <sup>3</sup><br>(244 in <sup>3</sup> )   | 90° “Vee”<br>8 Cylinder<br>32 Valves | 393 Nm /<br>290 lb ft<br>at 4250 RPM | 290 BHP /<br>216 kW / 294 PS<br>at 6100 RPM | 375 Nm /<br>276 lb ft<br>at 4250 RPM  | 280 BHP /<br>209 kW / 284 PS<br>at 6100 RPM | 10.75 : 1<br>±<br>0.5 : 1 | 86.0 mm<br>(3.386 in) | 86.0 mm<br>(3.386 in) |
| 4.0 liter SC<br>Gasoline                                    | 3996 cm <sup>3</sup><br>(244 in <sup>3</sup> )   | 90° “Vee”<br>8 Cylinder<br>32 Valves | 525 Nm /<br>387 lb ft<br>at 3600 RPM | 370 BHP /<br>276 kW / 375 PS<br>at 6150 RPM | 505 Nm /<br>372 lb ft<br>at 3600 RPM  | 358 BHP /<br>267 kW / 363 PS<br>at 6150 RPM | 8.9 : 1<br>±<br>0.5 : 1   | 86.0 mm<br>(3.386 in) | 86.0 mm<br>(3.386 in) |

Notes

| Model/<br>Engine  | Engine<br>Capacity                             | Engine<br>Description                | Max. Engine<br>Torque<br>(DIN)       | Max. Engine<br>Power<br>(DIN)               | Max. Engine<br>Torque<br>(EC and SAE)  | Max. Engine<br>Power<br>(EC and SAE)            | Comp.<br>Ratio           | Bore                  | Stroke                |
|---|--|--------------------------------------|--------------------------------------|---|--|---|--------------------------|-----------------------|-----------------------|
| <b>XJ: 2003.5 MY onwards – VIN From G00442 To Current</b> |  |                                      |                                      |   |  |   |                          |                       |                       |
| 3.0 liter<br>Gasoline                                     | 2967 cm <sup>3</sup><br>(181 in <sup>3</sup> ) | 60° “Vee”<br>6 Cylinder<br>24 Valves | 300 Nm /<br>221 lb ft<br>at 4100 RPM | 240 BHP /<br>179 kW / 243 PS<br>at 6800 RPM | 293 Nm /<br>216 lb ft<br>at 4100 RPM   | 235 BHP /<br>175 kW / 238 PS<br>at 6800 RPM     | 10.5 : 1<br>±<br>0.5 : 1 | 89.0 mm<br>(3.504 in) | 79.5 mm<br>(3.130 in) |
| 3.5 liter<br>Gasoline                                     | 3555 cm <sup>3</sup><br>(216 in <sup>3</sup> ) | 90° “Vee”<br>8 Cylinder<br>32 Valves | 345 Nm /<br>254 lb ft<br>at 4200 RPM | 262 BHP /<br>196 kW / 266 PS<br>at 6250 RPM | 335.2 Nm /<br>262 lb ft<br>at 4200 RPM | 255 BHP /<br>190 kW / 258 PS<br>at 6250 RPM     | 11.0 : 1<br>±<br>0.5 : 1 | 86.0 mm<br>(3.386 in) | 76.5 mm<br>(3.011 in) |
| 4.2 liter<br>Gasoline                                     | 4196 cm <sup>3</sup><br>(256 in <sup>3</sup> ) | 90° “Vee”<br>8 Cylinder<br>32 Valves | 420 Nm /<br>310 lb ft<br>at 4100 RPM | 300 BHP /<br>224 kW / 304 PS<br>at 6000 RPM | 410.8 Nm /<br>303 lb ft<br>at 4100 RPM | 293.5 BHP /<br>218.9 kW / 298 PS<br>at 6000 RPM | 11.0 : 1<br>±<br>0.5 : 1 | 86.0 mm<br>(3.386 in) | 90.3 mm<br>(3.555 in) |
| 4.2 liter SC<br>Gasoline                                  | 4196 cm <sup>3</sup><br>(256 in <sup>3</sup> ) | 90° “Vee”<br>8 Cylinder<br>32 Valves | 553 Nm /<br>408 lb ft<br>at 3500 RPM | 400 BHP /<br>298 kW / 406 PS<br>at 6100 RPM | 541.4 Nm /<br>399 lb ft<br>at 3500 RPM | 390 BHP /<br>290.8 kW / 395 PS<br>at 6100 RPM   | 9.1 : 1<br>±<br>0.5 : 1  | 86.0 mm<br>(3.386 in) | 90.3 mm<br>(3.555 in) |

Notes

| Model/<br>Engine   | Engine<br>Capacity                             | Engine<br>Description                | Max. Engine<br>Torque<br>(DIN)       | Max. Engine<br>Power<br>(DIN)               | Max. Engine<br>Torque<br>(EC and SAE)  | Max. Engine<br>Power<br>(EC and SAE)            | Comp.<br>Ratio            | Bore                  | Stroke                |
|--|--|--------------------------------------|--------------------------------------|---|--|---|---------------------------|-----------------------|-----------------------|
| <b>XK: 1997 up to 1998.75 MY – VIN From 001246 To 024686</b> |  |                                      |                                      |   |  |   |                           |                       |                       |
| 4.0 liter<br>Gasoline  | 3996 cm <sup>3</sup><br>(244 in <sup>3</sup> ) | 90° "Vee"<br>8 Cylinder<br>32 Valves | 393 Nm /<br>290 lb ft<br>at 4250 RPM | 290 BHP /<br>216 kW / 294 PS<br>at 6100 RPM | 375 Nm /<br>276 lb ft<br>at 4250 RPM   | 280 BHP /<br>209 kW / 284 PS<br>at 6100 RPM     | 10.75 : 1<br>±<br>0.5 : 1 | 86.0 mm<br>(3.386 in) | 86.0 mm<br>(3.386 in) |
| <b>XK: 1998.75 up to 2003 MY – VIN From 024687 To A30644</b> |  |                                      |                                      |   |  |   |                           |                       |                       |
| 4.0 liter<br>Gasoline  | 3996 cm <sup>3</sup><br>(244 in <sup>3</sup> ) | 90° "Vee"<br>8 Cylinder<br>32 Valves | 393 Nm /<br>290 lb ft<br>at 4250 RPM | 290 BHP /<br>216 kW / 294 PS<br>at 6100 RPM | 375 Nm /<br>276 lb ft<br>at 4250 RPM   | 280 BHP /<br>209 kW / 284 PS<br>at 6100 RPM     | 10.75 : 1<br>±<br>0.5 : 1 | 86.0 mm<br>(3.386 in) | 86.0 mm<br>(3.386 in) |
| 4.0 liter SC<br>Gasoline                                     | 3996 cm <sup>3</sup><br>(244 in <sup>3</sup> ) | 90° "Vee"<br>8 Cylinder<br>32 Valves | 525 Nm /<br>387 lb ft<br>at 3600 RPM | 370 BHP /<br>276 kW / 375 PS<br>at 6150 RPM | 505 Nm /<br>372 lb ft<br>at 3600 RPM   | 358 BHP /<br>267 kW / 363 PS<br>at 6150 RPM     | 8.9 : 1<br>±<br>0.5 : 1   | 86.0 mm<br>(3.386 in) | 86.0 mm<br>(3.386 in) |
| <b>XK: 2003 MY onwards – VIN From A30645 To Current</b>      |  |                                      |                                      |   |  |   |                           |                       |                       |
| 4.2 liter<br>Gasoline  | 4196 cm <sup>3</sup><br>(256 in <sup>3</sup> ) | 90° "Vee"<br>8 Cylinder<br>32 Valves | 420 Nm /<br>310 lb ft<br>at 4100 RPM | 300 BHP /<br>224 kW / 304 PS<br>at 6000 RPM | 410.8 Nm /<br>303 lb ft<br>at 4100 RPM | 293.5 BHP /<br>218.9 kW / 298 PS<br>at 6000 RPM | 11.0 : 1<br>±<br>0.5 : 1  | 86.0 mm<br>(3.386 in) | 90.3 mm<br>(3.555 in) |
| 4.2 liter SC<br>Gasoline                                     | 4196 cm <sup>3</sup><br>(256 in <sup>3</sup> ) | 90° "Vee"<br>8 Cylinder<br>32 Valves | 553 Nm /<br>408 lb ft<br>at 3500 RPM | 400 BHP /<br>298 kW / 406 PS<br>at 6100 RPM | 541.4 Nm /<br>399 lb ft<br>at 3500 RPM | 390 BHP /<br>290.8 kW / 395 PS<br>at 6100 RPM   | 9.1 : 1<br>±<br>0.5 : 1   | 86.0 mm<br>(3.386 in) | 90.3 mm<br>(3.555 in) |

Notes



| Model/<br>Engine   | Engine<br>Capacity                             | Engine<br>Description                | Max. Engine<br>Torque<br>(DIN)       | Max. Engine<br>Power<br>(DIN)               | Max. Engine<br>Torque<br>(EC and SAE) | Max. Engine<br>Power<br>(EC and SAE)        | Comp.<br>Ratio            | Bore                  | Stroke                |
|--|--|--------------------------------------|--------------------------------------|---|---------------------------------------|---|---------------------------|-----------------------|-----------------------|
| <b>S-TYPE: 1999.25 up to 2002.5 MY – VIN From L00600 To M45254</b> |  |                                      |                                      |   |                                       |   |                           |                       |                       |
| 3.0 liter<br>Gasoline  | 2967 cm <sup>3</sup><br>(181 in <sup>3</sup> ) | 60° “Vee”<br>6 Cylinder<br>24 Valves | 300 Nm /<br>221 lb ft<br>at 4500 RPM | 240 BHP /<br>179 kW / 243 PS<br>at 6800 RPM | 293 Nm /<br>216 lb ft<br>at 4500 RPM  | 235 BHP /<br>175 kW / 238 PS<br>at 6800 RPM | 10.5 : 1<br>±<br>0.5 : 1  | 89.0 mm<br>(3.504 in) | 79.5 mm<br>(3.130 in) |
| 4.0 liter<br>Gasoline  | 3996 cm <sup>3</sup><br>(244 in <sup>3</sup> ) | 90° “Vee”<br>8 Cylinder<br>32 Valves | 390 Nm /<br>287 lb ft<br>at 4300 RPM | 281 BHP /<br>209 kW / 284 PS<br>at 6100 RPM | 378 Nm /<br>279 lb ft<br>at 4300 RPM  | 272 BHP /<br>203 kW / 276 PS<br>at 6100 RPM | 10.75 : 1<br>±<br>0.5 : 1 | 86.0 mm<br>(3.386 in) | 86.0 mm<br>(3.386 in) |

Notes

| Model/<br>Engine  | Engine<br>Capacity                             | Engine<br>Description                | Max. Engine<br>Torque<br>(DIN)       | Max. Engine<br>Power<br>(DIN)               | Max. Engine<br>Torque<br>(EC and SAE)  | Max. Engine<br>Power<br>(EC and SAE)            | Comp.<br>Ratio            | Bore                   | Stroke                |
|---|--|--------------------------------------|--------------------------------------|---|--|---|---------------------------|------------------------|-----------------------|
| <b>S-TYPE: 2002.5 MY onwards – VIN From M45255 To Current</b> |  |                                      |                                      |   |  |   |                           |                        |                       |
| 2.5 liter<br>Gasoline   | 2497 cm <sup>3</sup><br>(152 in <sup>3</sup> ) | 60° "Vee"<br>6 Cylinder<br>24 Valves | 250 Nm /<br>184 lb ft<br>at 4000 RPM | 201 BHP /<br>150 kW / 204 PS<br>at 6800 RPM | 245 Nm /<br>181 lb ft<br>at 4000 RPM   | 197 BHP /<br>147 kW / 200 PS<br>at 6800 RPM     | 10.3 : 1<br>±<br>0.35 : 1 | 81.65 mm<br>(3.214 in) | 79.5 mm<br>(3.129 in) |
| 2.7 liter<br>Diesel   | 2720 cm <sup>3</sup><br>(166 in <sup>3</sup> ) | 60° "Vee"<br>6 Cylinder<br>24 Valves | 435 Nm /<br>320 lb ft<br>at 1900 RPM | 206 BHP /<br>153 kW / 208 PS<br>at 4000 RPM | 435 Nm /<br>320 lb ft<br>at 1900 RPM   | 204 BHP /<br>152 kW / 207 PS<br>at 4000 RPM     | 17.3 : 1<br>±<br>0.5 : 1  | 81.0 mm<br>(3.189 in)  | 88.0 mm<br>(3.386 in) |
| 3.0 liter<br>Gasoline   | 2967 cm <sup>3</sup><br>(181 in <sup>3</sup> ) | 60° "Vee"<br>6 Cylinder<br>24 Valves | 300 Nm /<br>221 lb ft<br>at 4100 RPM | 240 BHP /<br>179 kW / 243 PS<br>at 6800 RPM | 293 Nm /<br>216 lb ft<br>at 4100 RPM   | 235 BHP /<br>175 kW / 238 PS<br>at 6800 RPM     | 10.5 : 1<br>±<br>0.5 : 1  | 89.0 mm<br>(3.504 in)  | 79.5 mm<br>(3.130 in) |
| 4.2 liter<br>Gasoline   | 4196 cm <sup>3</sup><br>(256 in <sup>3</sup> ) | 90° "Vee"<br>8 Cylinder<br>32 Valves | 420 Nm /<br>310 lb ft<br>at 4100 RPM | 300 BHP /<br>224 kW / 304 PS<br>at 6000 RPM | 410.8 Nm /<br>303 lb ft<br>at 4100 RPM | 293.5 BHP /<br>218.9 kW / 298 PS<br>at 6000 RPM | 11.0 : 1<br>±<br>0.5 : 1  | 86.0 mm<br>(3.386 in)  | 90.3 mm<br>(3.555 in) |
| 4.2 liter SC<br>Gasoline                                      | 4196 cm <sup>3</sup><br>(256 in <sup>3</sup> ) | 90° "Vee"<br>8 Cylinder<br>32 Valves | 553 Nm /<br>408 lb ft<br>at 3500 RPM | 400 BHP /<br>298 kW / 406 PS<br>at 6100 RPM | 541.4 Nm /<br>399 lb ft<br>at 3500 RPM | 390 BHP /<br>290.8 kW / 395 PS<br>at 6100 RPM   | 9.1 : 1<br>±<br>0.5 : 1   | 86.0 mm<br>(3.386 in)  | 90.3 mm<br>(3.555 in) |

Notes

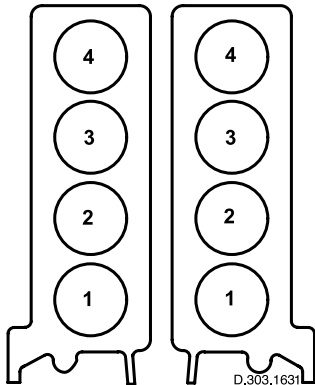
| Model/<br>Engine  | Engine<br>Capacity                             | Engine<br>Description                | Max. Engine<br>Torque<br>(DIN)       | Max. Engine<br>Power<br>(DIN)               | Max. Engine<br>Torque<br>(EC and SAE)  | Max. Engine<br>Power<br>(EC and SAE)          | Comp.<br>Ratio             | Bore                   | Stroke                 |
|---|--|--------------------------------------|--------------------------------------|---|--|---|----------------------------|------------------------|------------------------|
| <b>X-TYPE: 2001.5 MY onwards – VIN From C00344 To Current</b> |  |                                      |                                      |   |  |   |                            |                        |                        |
| 2.0 liter<br>Gasoline   | 2099 cm <sup>3</sup><br>(128 in <sup>3</sup> ) | 60° “Vee”<br>6 Cylinder<br>24 Valves | 200 Nm /<br>148 lb ft<br>at 4100 RPM | 157 BHP /<br>117 kW / 159 PS<br>at 6800 RPM | 196 Nm /<br>145 lb ft<br>at 4100 RPM   | 154 BHP /<br>114.6 kW / 156 PS<br>at 6800 RPM | 10.75 : 1<br>±<br>0.5 : 1  | 81.65 mm<br>(3.214 in) | 66.84 mm<br>(2.631 in) |
| 2.0 liter<br>Diesel   | 1998 cm <sup>3</sup><br>(122 in <sup>3</sup> ) | Inline<br>4 Cylinder<br>16 Valves    | 331 Nm /<br>244 lb ft<br>at 1800 RPM | 128 BHP /<br>96 kW / 129 PS<br>at 3800 RPM  | 330 Nm /<br>243 lb ft<br>at 1800 RPM   | 129 BHP /<br>96 kW / 130 PS<br>at 3800 RPM    | 18.2 : 1<br>±<br>0.5 : 1   | 86 mm<br>(3.385 in)    | 86 mm<br>(3.385 in)    |
| 2.5 liter<br>Gasoline   | 2497 cm <sup>3</sup><br>(152 in <sup>3</sup> ) | 60° “Vee”<br>6 Cylinder<br>24 Valves | 244 Nm /<br>180 lb ft<br>at 3000 RPM | 194 BHP /<br>145 kW / 197 PS<br>at 6800 RPM | 241 Nm /<br>178 lb ft<br>at 3000 RPM   | 192 BHP /<br>143.5 kW / 196 PS<br>at 6800 RPM | 10.30 : 1<br>±<br>0.35 : 1 | 81.65 mm<br>(3.214 in) | 79.5 mm<br>(3.130 in)  |
| 3.0 liter<br>Gasoline   | 2967 cm <sup>3</sup><br>(181 in <sup>3</sup> ) | 60° “Vee”<br>6 Cylinder<br>24 Valves | 284 Nm /<br>210 lb ft<br>at 3000 RPM | 231 BHP /<br>172 kW / 234 PS<br>at 6800 RPM | 279.3 Nm /<br>206 lb ft<br>at 3000 RPM | 227 BHP /<br>169.4 kW / 231 PS<br>at 6800 RPM | 10.5 : 1<br>±<br>0.5 : 1   | 89.0 mm<br>(3.504 in)  | 79.5 mm<br>(3.130 in)  |

Notes

## V8 Gasoline – Cylinder Numbering and Firing Order

Notes

V8  
up to 2002.5 MY

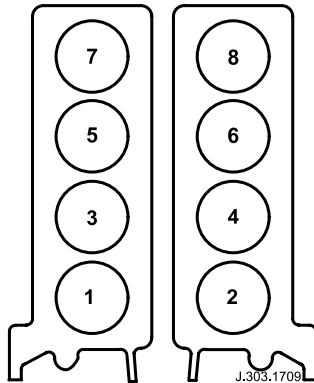


Front of Engine  
Bank 1      Bank 2

Firing Order:  
(Bank) – Cylinder

(1)-1 : (2)-1 : (1)-4 : (1)-2 : (2)-2 : (1)-3 : (2)-3 : (2)-4

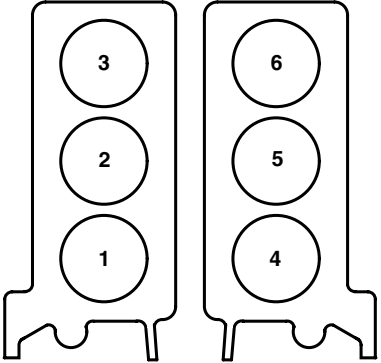
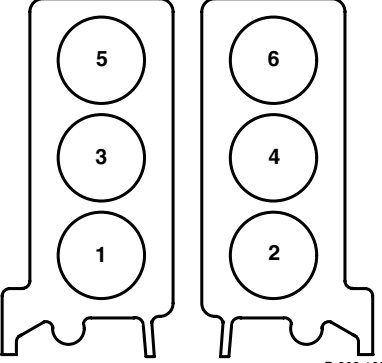
V8  
2002.5 MY onwards



Front of Engine  
Bank 1      Bank 2

Firing Order:

1 : 2 : 7 : 3 : 4 : 5 : 6 : 8

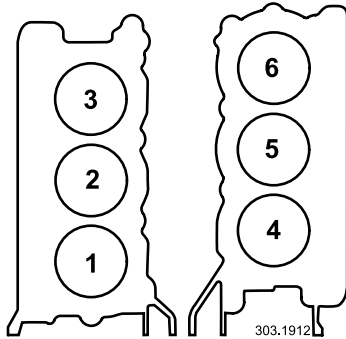
| V6 Gasoline – Cylinder Numbering and Firing Order  |   |
|--|---|
| <p>V6<br/>S-TYPE up to 2002.5 MY</p>  <p style="text-align: right; font-size: small;">D.303.1630</p> <p>Front of Engine<br/>Bank 1                      Bank 2</p> <p>Firing Order:<br/>1 : 4 : 2 : 5 : 3 : 6</p> | <p>V6<br/>X-TYPE 2001.5 MY onwards<br/>S-TYPE 2002.5 MY onwards<br/>XJ 2003.5 MY onwards</p>  <p style="text-align: right; font-size: small;">D.303.1629</p> <p>Front of Engine<br/>Bank 1                      Bank 2</p> <p>Firing Order:<br/>1 : 2 : 3 : 4 : 5 : 6</p> |

Notes

## V6 Diesel – Cylinder Numbering and Firing Order

Notes

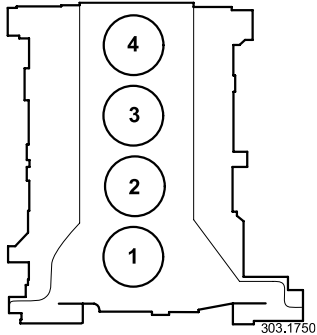
V6  
S-TYPE 2004.75 MY onwards



Front of Engine  
Bank 1                      Bank 2  
Firing Order:  
1 : 4 : 2 : 5 : 3 : 6

## 2.0 Liter Diesel – Cylinder Numbering and Firing Order

X-TYPE  
2004.25 MY onwards



Front of Engine

Firing Order  
1 – 3 – 4 – 2

Notes

| Engine           | Valve Clearances (cold) |                  |
|------------------|-------------------------|------------------|
|                  | Intake                  | Exhaust          |
| V8 Gasoline      | 0.18 – 0.22 mm          | 0.23 – 0.27 mm   |
| V6 Gasoline      | 0.175 – 0.225 mm        | 0.325 – 0.375 mm |
| 2.7 V6 Diesel    | No adjustment necessary |                  |
| 2.0 Liter Diesel | No adjustment necessary |                  |

Notes



| VIN                             |         | Engine                         | Market                    | Spark Plug Part Number          | Spark Plug Gap mm (inches)  | Engine Type |
|---------------------------------|---------|--------------------------------|---------------------------|---------------------------------|-----------------------------|-------------|
| From                            | To      |                                |                           |                                 |                             |             |
| <b>XJ: 1998 MY</b>              |         |                                |                           |                                 |                             |             |
| 812317                          | 853935  | 3.2 liter                      | ROW                       | NCA385OFA 1                     | 1.2 – 1.3 (0.047 – 0.051)   | AJ26 V8     |
|                                 |         | 4.0 liter                      | NAS                       | NCA385OHA 1                     | 1.2 – 1.3 (0.047 – 0.051)   |             |
|                                 |         |                                | ROW                       | NCA385OFA 1                     |                             |             |
|                                 |         | 4.0 liter SC                   | All                       | NCA385OHA 2                     | 1.2 – 1.3 (0.047 – 0.051)   |             |
| All                             | Leaded  | NCA385OCA (service fit only)   | 1.0 – 1.1 (0.039 – 0.043) |                                 |                             |             |
| <b>XJ: 1999 up to 2003.5 MY</b> |         |                                |                           |                                 |                             |             |
| 853936                          | F59525  | 3.2 liter                      | ROW                       | AJ8 4575 (iridium)              | 0.9 – 1.0 (0.035 – 0.039)   | AJ27 V8     |
|                                 |         | 4.0 liter                      | All                       | AJ8 4575 (iridium)              | 0.9 – 1.0 (0.035 – 0.039)   |             |
|                                 |         | 4.0 liter SC                   | All                       | NCA385OHA 2 up to 2000 MY       | 1.2 – 1.3 (0.047 – 0.051)   | AJ26.5 V8   |
|                                 |         |                                |                           | AJ8 4575 (iridium) from 2000 MY | 0.9 – 1.0 (0.035 – 0.039)   | AJ27 V8     |
| All                             | Leaded  | XR8 15350 (service fit only) * | 1.0 – 1.1 (0.039 – 0.043) | –                               |                             |             |
| <b>XJ: 2003.5 MY onwards</b>    |         |                                |                           |                                 |                             |             |
| G00442                          | Current | 3.0 liter                      | All                       | XR8 42795                       | 1.32 – 1.42 (0.051 – 0.056) | V6          |
|                                 |         | 3.5 liter                      | All                       | AJ8 4575 (iridium)              | 0.9 – 1.0 (0.035 – 0.039)   | AJ33 V8     |
|                                 |         | 4.2 liter                      | All                       | AJ8 4575 (iridium)              | 0.9 – 1.0 (0.035 – 0.039)   |             |
|                                 |         | 4.2 liter SC                   | All                       | AJ8 4575 (iridium)              | 0.9 – 1.0 (0.035 – 0.039)   |             |

**Note:** \* Not applicable with the introduction of “iridium” spark plugs.

**Notes**

| VIN                           |         | Engine                       | Market                    | Spark Plug Part Number          | Spark Plug Gap mm (inches) | Engine Type           |
|-------------------------------|---------|------------------------------|---------------------------|---------------------------------|----------------------------|-----------------------|
| From                          | To      |                              |                           |                                 |                            |                       |
| <b>XK: 1997 up to 1998 MY</b> |         |                              |                           |                                 |                            |                       |
| 001246                        | 018107  | 4.0 liter                    | NAS                       | NCA385OHA 1                     | 1.2 – 1.3 (0.047 – 0.051)  | AJ26 V8               |
|                               |         |                              | ROW                       | NCA385ODA 2                     | 1.0 – 1.1 (0.039 – 0.043)  |                       |
|                               |         |                              | Leaded                    | NCA385OCA (service fit only)    |                            |                       |
| <b>XK: 1998 and 1999 MY</b>   |         |                              |                           |                                 |                            |                       |
| 018108                        | A00115  | 4.0 liter                    | NAS                       | NCA385OHA 1 up to 1999 MY       | 1.2 – 1.3 (0.047 – 0.051)  | AJ26 V8               |
|                               |         |                              |                           | AJ8 4575 (iridium) from 1999 MY | 0.9 – 1.0 (0.035 – 0.039)  | AJ27 V8               |
|                               |         |                              | ROW                       | NCA385OFA 1 up to 1999 MY       | 1.2 – 1.3 (0.047 – 0.051)  | AJ26 V8               |
|                               |         |                              |                           | AJ8 4575 (iridium) from 1999 MY | 0.9 – 1.0 (0.035 – 0.039)  | AJ27 V8               |
|                               |         | 4.0 liter SC **              | All                       | NCA385OHA 2                     | 1.2 – 1.3 (0.047 – 0.051)  | AJ26 V8 and AJ26.5 V8 |
| All                           | Leaded  | NCA385OCA (service fit only) | 1.0 – 1.1 (0.039 – 0.043) | –                               |                            |                       |
| <b>XK: 2000 up to 2003 MY</b> |         |                              |                           |                                 |                            |                       |
| A00116                        | A30644  | 4.0 liter                    | All                       | AJ8 4575 (iridium)              | 0.9 – 1.0 (0.035 – 0.039)  | AJ27 V8               |
|                               |         | 4.0 liter SC                 | All                       | AJ8 4575 (iridium)              | 0.9 – 1.0 (0.035 – 0.039)  |                       |
|                               |         | All                          | Leaded                    | XR8 15350 (service fit only) *  | 1.0 – 1.1 (0.039 – 0.043)  | –                     |
| <b>XK: 2003 MY onwards</b>    |         |                              |                           |                                 |                            |                       |
| A30645                        | Current | 4.2 liter                    | All                       | AJ8 4575 (iridium)              | 0.9 – 1.0 (0.035 – 0.039)  | AJ33 V8               |
|                               |         | 4.2 liter SC                 | All                       | AJ8 4575 (iridium)              | 0.9 – 1.0 (0.035 – 0.039)  |                       |

**Note:** \* Not applicable with the introduction of “iridium” spark plugs.

**Note:** \*\* SC engine introduced at VIN 024687.

| VIN                                    |         | Engine       | Market | Spark Plug Part Number         | Spark Plug Gap mm (inches)  | Engine Type |
|--|---------|--------------|--------|--------------------------------|-----------------------------|-------------|
| From                                   | To      |              |        |                                |                             |             |
| <b>S-TYPE: 1999.25 up to 2002.5 MY</b> |         |              |        |                                |                             |             |
| L00600                                 | M45254  | 3.0 liter    | All    | XR8 42795                      | 1.32 – 1.42 (0.051 – 0.056) | V6          |
|  |         |              | Leaded | XR8 15349 (service fit only)   | 1.0 – 1.1 (0.039 – 0.043)   |             |
|  |         | 4.0 liter    | All    | AJ8 4575 (iridium)             | 0.9 – 1.0 (0.035 – 0.039)   | AJ28 V8     |
|  |         |              | Leaded | XR8 15350 (service fit only) * | 1.0 – 1.1 (0.039 – 0.043)   |             |
| <b>S-TYPE: 2002.5 MY onwards</b>       |         |              |        |                                |                             |             |
| M45255                                 | Current | 2.5 liter    | All    | XR8 42795                      | 1.32 – 1.42 (0.051 – 0.056) | V6          |
|  |         | 3.0 liter    | All    | XR8 42795                      | 1.32 – 1.42 (0.051 – 0.056) | V6          |
|  |         | 4.2 liter    | All    | AJ8 4575 (iridium)             | 0.9 – 1.0 (0.035 – 0.039)   | AJ33 V8     |
|  |         | 4.2 liter SC | All    | AJ8 4575 (iridium)             | 0.9 – 1.0 (0.035 – 0.039)   |             |

**Note:** \* Not applicable with the introduction of “iridium” spark plugs.

**Notes**

| VIN                              |         | Engine    | Market | Spark Plug Part Number | Spark Plug Gap mm (inches)  | Engine Type |
|----------------------------------|---------|-----------|--------|------------------------|-----------------------------|-------------|
| From                             | To      |           |        |                        |                             |             |
| <b>X-TYPE: 2001.5 MY onwards</b> |         |           |        |                        |                             |             |
| C00344                           | Current | 2.0 liter | All    | XR8 42795              | 1.32 – 1.42 (0.051 – 0.056) | V6          |
|                                  |         | 2.5 liter | All    | XR8 42795              | 1.32 – 1.42 (0.051 – 0.056) | V6          |
|                                  |         | 3.0 liter | All    | XR8 42795              | 1.32 – 1.42 (0.051 – 0.056) | V6          |

**Notes**

| Model/Engine                  | Market | Oil Specification                                 | Engine Oil Capacity<br>(service oil fill and filter change)<br>Liters (US Quarts) |                | VIN    |        |
|-------------------------------|--------|---|---|----------------|--------|--------|
|                               |        |   | oil cooler  | non oil cooler | From   | To     |
| <b>XJ: 1998 up to 2000 MY</b> |        |   |   |                |        |        |
| 3.2 liter Gasoline            | ROW    | API SJ and ACEA A2                                | –   | 6.0 (6.4)      | 812317 | 878717 |
| 4.0 liter Gasoline            | NAS    | API SJ and ILSAC GF-2<br>or API SL and ILSAC GF-3 | –   | 6.0 (6.4)      |        |        |
|                               | ROW    | API SJ and ACEA A2                                |   |                |        |        |
| 4.0 liter SC Gasoline         | NAS    | API SJ and ILSAC GF-2<br>or API SL and ILSAC GF-3 | 6.0 (6.4)   | –              |        |        |
|                               | ROW    | API SJ and ACEA A3                                |   |                |        |        |

**Note:** Refer to the end of this section for important information.

Notes

| Model/Engine          | Market | Oil Specification  | Engine Oil Capacity<br>(service oil fill and filter change)<br>Liters (US Quarts) |                | VIN    |        |
|-----------------------|--------|--|---|----------------|--------|--------|
|                       |        |  | oil cooler  | non oil cooler | From   | To     |
| <b>XJ: 2000 MY</b>    |        |  |   |                |        |        |
| 3.2 liter Gasoline    | ROW    | API SJ / EC and ACEA A1 or A3<br>Jaguar WSS–M2C913–B preferred | –   | 6.0 (6.4)      | F00103 | F00463 |
|                       |        |  |   | 7.0 (7.4)      | F00464 | F20644 |
| 4.0 liter Gasoline    | NAS    | API SJ / EC and ILSAC GF–2<br>or API SL and ILSAC GF–3         | –   | 6.0 (6.4)      | F00103 | F00463 |
|                       |        |  |   | 7.0 (7.4)      | F00464 | F20644 |
|                       | ROW    | API SJ / EC and ACEA A1 or A3<br>Jaguar WSS–M2C913–B preferred | –   | 6.0 (6.4)      | F00103 | F00463 |
|                       |        |  |   | 7.0 (7.4)      | F00464 | F20644 |
| 4.0 liter SC Gasoline | NAS    | API SJ / EC and ILSAC GF–2<br>or API SL and ILSAC GF–3         | 6.0 (6.4)   | –              | F00103 | F00463 |
|                       |        |  | 7.0 (7.4)   | –              | F00464 | F20644 |
|                       | ROW    | API SJ / EC and ACEA A1 or A3<br>Jaguar WSS–M2C913–B preferred | 6.0 (6.4)   | –              | F00103 | F00463 |
|                       |        |  | 7.0 (7.4)   | –              | F00464 | F20644 |

**Note:** Refer to the end of this section for important information.

**Notes**

Jaguar recommends



| Model/Engine          | Market | Oil Specification  | Engine Oil Capacity<br>(service oil fill and filter change)<br>Liters (US Quarts) |                | VIN    |        |
|-----------------------|--------|--|---|----------------|--------|--------|
|                       |        |  | oil cooler  | non oil cooler | From   | To     |
| <b>XJ: 2001 MY</b>    |        |  |   |                |        |        |
| 3.2 liter Gasoline    | ROW    | API SJ / EC and ACEA A1 or A3<br>Jaguar WSS-M2C913-B preferred | -   | 7.0 (7.4)      | F20645 | F41862 |
| 4.0 liter Gasoline    | NAS    | API SJ / EC and ILSAC GF-2<br>or API SL and ILSAC GF-3         | -   | 7.0 (7.4)      |        |        |
|                       | ROW    | API SJ / EC and ACEA A1 or A3<br>Jaguar WSS-M2C913-B preferred |   |                |        |        |
| 4.0 liter SC Gasoline | NAS    | API SJ / EC and ILSAC GF-2<br>or API SL and ILSAC GF-3         | 7.0 (7.4)   | -              |        |        |
|                       | ROW    | API SJ / EC and ACEA A1 or A3<br>Jaguar WSS-M2C913-B preferred |   |                |        |        |

**Note:** Refer to the end of this section for important information.

Notes

| Model/Engine                    | Market | Oil Specification  | Engine Oil Capacity<br>(service oil fill and filter change)<br>Liters (US Quarts) |                | VIN    |        |
|---------------------------------|--------|--|---|----------------|--------|--------|
|                                 |        |  | oil cooler  | non oil cooler | From   | To     |
| <b>XJ: 2002 up to 2003.5 MY</b> |        |  |   |                |        |        |
| 3.2 liter Gasoline              | ROW    | API SJ / EC and ACEA A1 or A3<br>Jaguar WSS-M2C913-B preferred | -   | 7.0 (7.4)      | F41863 | F59525 |
| 4.0 liter Gasoline              | NAS    | API SL and ILSAC GF-3  | -   | 7.0 (7.4)      |        |        |
|                                 | ROW    | API SJ / EC and ACEA A1 or A3<br>Jaguar WSS-M2C913-B preferred |   |                |        |        |
| 4.0 liter SC Gasoline           | NAS    | API SL and ILSAC GF-3  | 7.0 (7.4)   | -              |        |        |
|                                 | ROW    | API SJ / EC and ACEA A1 or A3<br>Jaguar WSS-M2C913-B preferred |   |                |        |        |

**Note:** Refer to the end of this section for important information.

Notes



| Model/Engine                 | Market | Oil Specification  | Engine Oil Capacity<br>(service oil fill and filter change)<br>Liters (US Quarts) |                | VIN    |         |
|------------------------------|--------|--|---|----------------|--------|---------|
|                              |        |  | oil cooler  | non oil cooler | From   | To      |
| <b>XJ: 2003.5 MY onwards</b> |        |  |   |                |        |         |
| 3.0 liter Gasoline           | NAS    | API SL and ILSAC GF-3  | 6.5 (6.9)   | -              | G00442 | Current |
|                              | ROW    | API SJ / EC and ACEA A1 or A3<br>Jaguar WSS-M2C913-B preferred |   |                |        |         |
| 3.5 liter Gasoline           | NAS    | API SL and ILSAC GF-3  | 6.0 (6.4)   | -              |        |         |
|                              | ROW    | API SJ / EC and ACEA A1 or A3<br>Jaguar WSS-M2C913-B preferred |   |                |        |         |
| 4.2 liter Gasoline           | NAS    | API SL and ILSAC GF-3  | 6.0 (6.4)   | -              |        |         |
|                              | ROW    | API SJ / EC and ACEA A1 or A3<br>Jaguar WSS-M2C913-B preferred |   |                |        |         |
| 4.2 liter SC Gasoline        | NAS    | API SL and ILSAC GF-3  | 6.0 (6.4)   | -              |        |         |
|                              | ROW    | API SJ / EC and ACEA A1 or A3<br>Jaguar WSS-M2C913-B preferred |   |                |        |         |

**Note:** Refer to the end of this section for important information.

**Notes**

Jaguar recommends 

| Model/Engine          | Market | Oil Specification                                 | Engine Oil Capacity<br>(service oil fill and filter change)<br>Liters (US Quarts) |                | VIN    |        |
|-----------------------|--------|---|---|----------------|--------|--------|
|                       |        |   | oil cooler  | non oil cooler | From   | To     |
| <b>XK: 1997 MY</b>    |        |   |   |                |        |        |
| 4.0 liter Gasoline    | NAS    | API SJ and ILSAC GF-2<br>or API SL and ILSAC GF-3 | 6.0 (6.4)   | -              | 001246 | 018107 |
|                       | ROW    | API SJ and ACEA A2                                |   |                |        |        |
| <b>XK: 1998 MY</b>    |        |   |   |                |        |        |
| 4.0 liter Gasoline    | NAS    | API SJ and ILSAC GF-2<br>or API SL and ILSAC GF-3 | -   | 6.0 (6.4)      | 018108 | 024686 |
|                       | ROW    | API SJ and ACEA A2                                |   |                |        |        |
| <b>XK: 1998.75 MY</b> |        |   |   |                |        |        |
| 4.0 liter Gasoline    | NAS    | API SJ and ILSAC GF-2<br>or API SL and ILSAC GF-3 | -   | 6.0 (6.4)      | 024687 | 031302 |
|                       | ROW    | API SJ and ACEA A2                                |   |                |        |        |
| 4.0 liter SC Gasoline | ROW    | API SJ and ACEA A3                                | 6.0 (6.4)   | -              |        |        |

**Note:** Refer to the end of this section for important information.

Notes

| Model/Engine          | Market | Oil Specification  | Engine Oil Capacity<br>(service oil fill and filter change)<br>Liters (US Quarts) |                | VIN    |        |
|-----------------------|--------|--|---|----------------|--------|--------|
|                       |        |  | oil cooler  | non oil cooler | From   | To     |
| <b>XK: 1999 MY</b>    |        |  |   |                |        |        |
| 4.0 liter Gasoline    | NAS    | API SJ / EC and ILSAC GF-2<br>or API SL and ILSAC GF-3         | -   | 6.0 (6.4)      | 031303 | 042775 |
|                       | ROW    | API SJ / EC and ACEA A1 or A3<br>Jaguar WSS-M2C913-B preferred |   |                |        |        |
| 4.0 liter SC Gasoline | NAS    | API SJ / EC and ILSAC GF-2<br>or API SL and ILSAC GF-3         | 6.0 (6.4)   | -              |        |        |
|                       | ROW    | API SJ / EC and ACEA A1 or A3<br>Jaguar WSS-M2C913-B preferred |   |                |        |        |

**Note:** Refer to the end of this section for important information.

Notes

| Model/Engine          | Market | Oil Specification  | Engine Oil Capacity<br>(service oil fill and filter change)<br>Liters (US Quarts) |                | VIN    |        |
|-----------------------|--------|--|---|----------------|--------|--------|
|                       |        |  | oil cooler  | non oil cooler | From   | To     |
| <b>XK: 2000 MY</b>    |        |  |   |                |        |        |
| 4.0 liter Gasoline    | NAS    | API SJ / EC and ILSAC GF-2<br>or API SL and ILSAC GF-3         | -   | 6.0 (6.4)      | A00116 | A00366 |
|                       |        |  |   | 7.0 (7.4)      | A00367 | A11139 |
|                       | ROW    | API SJ / EC and ACEA A1 or A3<br>Jaguar WSS-M2C913-B preferred | -   | 6.0 (6.4)      | A00116 | A00366 |
|                       |        |  |   | 7.0 (7.4)      | A00367 | A11139 |
| 4.0 liter SC Gasoline | NAS    | API SJ / EC and ILSAC GF-2<br>or API SL and ILSAC GF-3         | 6.0 (6.4)   | -              | A00116 | A00366 |
|                       |        |  | 7.0 (7.4)   | -              | A00367 | A11139 |
|                       | ROW    | API SJ / EC and ACEA A1 or A3<br>Jaguar WSS-M2C913-B preferred | 6.0 (6.4)   | -              | A00116 | A00366 |
|                       |        |  | 7.0 (7.4)   | -              | A00367 | A11139 |
| <b>XK: 2001 MY</b>    |        |  |   |                |        |        |
| 4.0 liter Gasoline    | NAS    | API SL and ILSAC GF-3  | -   | 7.0 (7.4)      | A11140 | A24195 |
|                       | ROW    | API SJ / EC and ACEA A1 or A3<br>Jaguar WSS-M2C913-B preferred |   |                |        |        |
| 4.0 liter SC Gasoline | NAS    | API SL and ILSAC GF-3  | 7.0 (7.4)   | -              |        |        |
|                       | ROW    | API SJ / EC and ACEA A1 or A3<br>Jaguar WSS-M2C913-B preferred |   |                |        |        |

**Note:** Refer to the end of this section for important information.

| Model/Engine                  | Market | Oil Specification  | Engine Oil Capacity<br>(service oil fill and filter change)<br>Liters (US Quarts) |                | VIN    |         |
|-------------------------------|--------|--|---|----------------|--------|---------|
|                               |        |  | oil cooler  | non oil cooler | From   | To      |
| <b>XK: 2002 up to 2003 MY</b> |        |  |   |                |        |         |
| 4.0 liter Gasoline            | NAS    | API SL and ILSAC GF-3  | 7.0 (7.4)   | -              | A24196 | A30644  |
|                               | ROW    | API SJ / EC and ACEA A1 or A3<br>Jaguar WSS-M2C913-B preferred |   |                |        |         |
| 4.0 liter SC Gasoline         | NAS    | API SL and ILSAC GF-3  | 7.0 (7.4)   | -              |        |         |
|                               | ROW    | API SJ / EC and ACEA A1 or A3<br>Jaguar WSS-M2C913-B preferred |   |                |        |         |
| <b>XK: 2003 MY onwards</b>    |        |  |   |                |        |         |
| 4.2 liter Gasoline            | NAS    | API SL and ILSAC GF-3  | 7.0 (7.4)   | -              | A30645 | Current |
|                               | ROW    | API SJ / EC and ACEA A1 or A3<br>Jaguar WSS-M2C913-B preferred |   |                |        |         |
| 4.2 liter SC Gasoline         | NAS    | API SL and ILSAC GF-3  | 7.0 (7.4)   | -              |        |         |
|                               | ROW    | API SJ / EC and ACEA A1 or A3<br>Jaguar WSS-M2C913-B preferred |   |                |        |         |

**Note:** Refer to the end of this section for important information.

Notes

| Model/Engine              | Market | Oil Specification  | Engine Oil Capacity<br>(service oil fill and filter change)<br>Liters (US Quarts) |                | VIN    |        |
|---------------------------|--------|--|---|----------------|--------|--------|
|                           |        |  | oil cooler  | non oil cooler | From   | To     |
| <b>S-TYPE: 1999.25 MY</b> |        |  |   |                |        |        |
| 3.0 liter Gasoline        | NAS    | API SJ / EC and ILSAC GF-2<br>or API SL and ILSAC GF-3         | 5.7 (6.0)   | -              | L00600 | L31320 |
|                           | ROW    | API SJ / EC and ACEA A1 or A3<br>Jaguar WSS-M2C913-B preferred |   |                |        |        |
| 4.0 liter Gasoline        | NAS    | API SJ / EC and ILSAC GF-2<br>or API SL and ILSAC GF-3         | 6.0 (6.4)   | -              |        |        |
|                           | ROW    | API SJ / EC and ACEA A1 or A3<br>Jaguar WSS-M2C913-B preferred |   |                |        |        |

**Note:** Refer to the end of this section for important information.

Notes

| Model/Engine                        | Market | Oil Specification  | Engine Oil Capacity<br>(service oil fill and filter change)<br>Liters (US Quarts) |                | VIN     |        |
|-------------------------------------|--------|--|---|----------------|---------|--------|
|                                     |        |  | oil cooler  | non oil cooler | From    | To     |
| <b>S-TYPE: 2000 up to 2002.5 MY</b> |        |  |   |                |         |        |
| 3.0 liter Gasoline                  | NAS    | API SL and ILSAC GF-3  | 5.7 (6.0)   | –              | L31321  | L37177 |
|                                     |        |  | 6.5 (6.9)   | –              | L37178* | M45254 |
|                                     | ROW    | API SJ / EC and ACEA A1 or A3<br>Jaguar WSS-M2C913-B preferred | 5.7 (6.0)   | –              | L31321  | L37177 |
|                                     |        |  | 6.5 (6.9)   | –              | L37178* | M45254 |
| 4.0 liter Gasoline                  | NAS    | API SL and ILSAC GF-3  | 6.0 (6.4)   | –              | L31321  | M45254 |
|                                     | ROW    | API SJ / EC and ACEA A1 or A3<br>Jaguar WSS-M2C913-B preferred |   |                |         |        |

**Note:** To signify the oil capacity change to S-TYPE V6 engines during 2000 MY, a new style oil-level gauge was introduced. The new style gauge can be recognized by a loop handle opposed to the old T-bar design. The oil fill mark on the oil-level gauge was also altered by 14 mm. The change was implemented at approximate VIN\*.

**Note:** Refer to the end of this section for important information.

Notes

| Model/Engine                     | Market | Oil Specification  | Engine Oil Capacity<br>(service oil fill and filter change)<br>Liters (US Quarts) |                | VIN    |         |
|----------------------------------|--------|--|---|----------------|--------|---------|
|                                  |        |  | oil cooler  | non oil cooler | From   | To      |
| <b>S-TYPE: 2002.5 MY onwards</b> |        |  |   |                |        |         |
| 2.5 liter Gasoline               | NAS    | API SL and ILSAC GF-3  | 6.5 (6.9)   | -              | M45255 | Current |
|                                  | ROW    | API SJ / EC and ACEA A1 or A3<br>Jaguar WSS-M2C913-B preferred |   |                |        |         |
| 2.7 liter Diesel                 | EUR    | 5W-30 meeting Jaguar WSS-M2C913-B only                         | 6.6 (7.0)   | -              |        |         |
| 3.0 liter Gasoline               | NAS    | API SL and ILSAC GF-3  | 6.5 (6.9)   | 6.5 (6.9)      |        |         |
|                                  | ROW    | API SJ / EC and ACEA A1 or A3<br>Jaguar WSS-M2C913-B preferred | 6.5 (6.9)   | -              |        |         |
| 4.2 liter Gasoline               | NAS    | API SL and ILSAC GF-3  | 6.0 (6.4)   | -              |        |         |
|                                  | ROW    | API SJ / EC and ACEA A1 or A3<br>Jaguar WSS-M2C913-B preferred |   |                |        |         |
| 4.2 liter SC Gasoline            | NAS    | API SL and ILSAC GF-3  | 6.0 (6.4)   | -              |        |         |
|                                  | ROW    | API SJ / EC and ACEA A1 or A3<br>Jaguar WSS-M2C913-B preferred |   |                |        |         |

**Note:** Refer to the end of this section for important information.

Notes



| Model/Engine                     | Market | Oil Specification  | Engine Oil Capacity<br>(service oil fill and filter change)<br>Liters (US Quarts) |                | VIN    |         |
|----------------------------------|--------|--|---|----------------|--------|---------|
|                                  |        |  | oil cooler  | non oil cooler | From   | To      |
| <b>X-TYPE: 2001.5 MY onwards</b> |        |  |   |                |        |         |
| 2.0 liter Gasoline               | NAS    | API SL and ILSAC GF-3  | 5.8 (6.1)   | -              | C00344 | Current |
|                                  | ROW    | API SJ / EC and ACEA A1 or A3<br>Jaguar WSS-M2C913-B preferred |   |                |        |         |
| 2.0 liter Diesel                 | EUR    | 5W-30 meeting Jaguar WSS-M2C913-B only                         | 6.2 (6.5)   | -              |        |         |
| 2.5 liter Gasoline               | NAS    | API SL and ILSAC GF-3  | 5.8 (6.1)   | -              |        |         |
|                                  | ROW    | API SJ / EC and ACEA A1 or A3<br>Jaguar WSS-M2C913-B preferred |   |                |        |         |
| 3.0 liter Gasoline               | NAS    | API SL and ILSAC GF-3  | 5.8 (6.1)   | -              |        |         |
|                                  | ROW    | API SJ / EC and ACEA A1 or A3<br>Jaguar WSS-M2C913-B preferred |   |                |        |         |

**Caution:** The use of supplementary oil or fuel additives is not approved unless specified by Jaguar Cars in the form of a service communication or directive.

**SAE Viscosity Rating:** For climates ranging from -30°C (-22°F) and +50°C (+122°F), the following oil viscosities may be used:

0W-30                      5W-30 (preferred)

0W-40                      5W-40

**Notes**

Jaguar recommends 

| VIN                             |         | Engine                | Market | Final Drive Ratio | <u>Notes</u> |
|---------------------------------|---------|-----------------------|--------|-------------------|--------------|
| From                            | To      |                       |        |                   |              |
| <b>XJ: 1998 up to 2003.5 MY</b> |         |                       |        |                   |              |
| 812317                          | F59525  | 3.2 liter Gasoline    | ROW    | 3.27 : 1          |              |
|                                 |         | 4.0 liter Gasoline    | NAS    | 3.06 : 1          |              |
|                                 |         |                       | ROW    |                   |              |
|                                 |         |                       | Mexico | 3.27 : 1          |              |
| 4.0 liter SC Gasoline           | NAS     | 3.06 : 1              |        |                   |              |
|                                 | ROW     |                       |        |                   |              |
| <b>XJ: 2003.5 MY onwards</b>    |         |                       |        |                   |              |
| G00442                          | Current | 3.0 liter Gasoline    | NAS    | 3.31 : 1          |              |
|                                 |         |                       | ROW    |                   |              |
|                                 |         | 3.5 liter Gasoline    | NAS    | 3.07 : 1          |              |
|                                 |         |                       | ROW    |                   |              |
|                                 |         | 4.0 liter Gasoline    | NAS    | 2.87 : 1          |              |
|                                 |         |                       | ROW    |                   |              |
|                                 |         | 4.0 liter SC Gasoline | NAS    | 2.87 : 1          |              |
|                                 |         |                       | ROW    |                   |              |

| VIN                           |         | Engine                | Market | Final Drive Ratio | <u>Notes</u> |
|-------------------------------|---------|-----------------------|--------|-------------------|--------------|
| From                          | To      |                       |        |                   |              |
| <b>XK: 1997 up to 2003 MY</b> |         |                       |        |                   |              |
| 001246                        | A30644  | 4.0 liter Gasoline    | NAS    | 3.06 : 1          |              |
|                               |         |                       | ROW    |                   |              |
|                               |         |                       | Mexico | 3.27 : 1          |              |
|                               |         | 4.0 liter SC Gasoline | NAS    | 3.06 : 1          |              |
| ROW                           |         |                       |        |                   |              |
| <b>XK: 2003 MY onwards</b>    |         |                       |        |                   |              |
| A30645                        | Current | 4.2 liter Gasoline    | NAS    | 3.06 : 1          |              |
|                               |         |                       | ROW    |                   |              |
|                               |         | 4.2 liter SC Gasoline | NAS    | 3.06 : 1          |              |
|                               |         |                       | ROW    |                   |              |

| VIN                                 |        | Engine                         | Market | Final Drive Ratio | <u>Notes</u> |
|-------------------------------------|--------|--------------------------------|--------|-------------------|--------------|
| From                                | To     |                                |        |                   |              |
| <b>S-TYPE: 1999.25 MY</b>           |        |                                |        |                   |              |
| L00600                              | L31320 | 3.0 liter – manual Gasoline    | NAS    | 3.07 : 1          |              |
|                                     |        |                                | ROW    |                   |              |
|                                     |        | 3.0 liter – automatic Gasoline | NAS    | 3.31 : 1          |              |
|                                     |        |                                | ROW    |                   |              |
|                                     |        | 4.0 liter – automatic Gasoline | NAS    | 3.31 : 1          |              |
|                                     |        |                                | ROW    |                   |              |
| <b>S-TYPE: 2000 up to 2002.5 MY</b> |        |                                |        |                   |              |
| L31321                              | M45254 | 3.0 liter – manual Gasoline    | NAS    | 3.07 : 1          |              |
|                                     |        |                                | ROW    |                   |              |
|                                     |        | 3.0 liter – automatic Gasoline | NAS    | 3.31 : 1          |              |
|                                     |        |                                | ROW    |                   |              |
|                                     |        |                                | Mexico | 3.58 : 1          |              |
|                                     |        | 4.0 liter – automatic Gasoline | NAS    | 3.31 : 1          |              |
| ROW                                 |        |                                |        |                   |              |

| VIN                              |         | Engine                         | Market | Final Drive Ratio | Notes |
|----------------------------------|---------|--------------------------------|--------|-------------------|-------|
| From                             | To      |                                |        |                   |       |
| <b>S-TYPE: 2002.5 MY onwards</b> |         |                                |        |                   |       |
| M45255                           | Current | 2.5 liter – manual Gasoline    | NAS    | 3.07 : 1          |       |
|                                  |         |                                | ROW    |                   |       |
|                                  |         | 2.5 liter – automatic Gasoline | NAS    | 3.31 : 1          |       |
|                                  |         |                                | ROW    |                   |       |
|                                  |         | 2.7 liter – manual Diesel      | EUR    | 2.69 : 1          |       |
|                                  |         | 2.7 liter – automatic Diesel   | EUR    | 3.07 : 1          |       |
|                                  |         | 3.0 liter – manual Gasoline    | NAS    | 3.07 : 1          |       |
|                                  |         |                                | ROW    |                   |       |
|                                  |         | 3.0 liter – automatic Gasoline | NAS    | 3.31 : 1          |       |
|                                  |         |                                | ROW    |                   |       |
|                                  |         | 4.2 liter – automatic Gasoline | NAS    | 2.87 : 1          |       |
|                                  |         |                                | ROW    |                   |       |
| 4.2 liter SC automatic Gasoline  | NAS     | 2.87 : 1                       |        |                   |       |
|                                  | ROW     |                                |        |                   |       |

| VIN                              |         | Engine             | Market | Final Drive Ratio | <u>Notes</u> |
|----------------------------------|---------|--------------------|--------|-------------------|--------------|
| From                             | To      |                    |        |                   |              |
| <b>X-TYPE: 2001.5 MY onwards</b> |         |                    |        |                   |              |
| C00344                           | Current | 2.5 liter Gasoline | NAS    | 2.53 : 1          |              |
|                                  |         |                    | ROW    |                   |              |
|                                  |         | 3.0 liter Gasoline | NAS    | 2.53 : 1          |              |
|                                  |         |                    | ROW    |                   |              |

| VIN                                |         | Engine            | Transmission        |           |                             | Differential            |           |                             |
|------------------------------------|---------|-------------------|---------------------|-----------|-----------------------------|-------------------------|-----------|-----------------------------|
| From                               | To      |                   | Lubricant           | Part No   | Capacity Liters (US Quarts) | Lubricant               | Part No   | Capacity Liters (US Quarts) |
| <b>X): 1998 MY up to 2003.5 MY</b> |         |                   |                     |           |                             |                         |           |                             |
| 812317                             | F59525  | 3.2 liter Auto    | Esso LT 71141       | JLM 20237 | 10.0 (10.6)                 | Shell Spirax Super TS90 | JLM 20255 | 1.9 (2.0)                   |
|                                    |         | 4.0 liter Auto    | Esso LT 71141       | JLM 20237 | 10.0 (10.6)                 | Shell Spirax Super TS90 | JLM 20255 | 1.9 (2.0)                   |
|                                    |         | 4.0 liter SC Auto | Shell ATF 3403 M115 | JLM 20292 | 9.5 (10.0)                  | Shell Spirax Super TS90 | JLM 20255 | 1.9 (2.0)                   |
| <b>X): 2003.5 MY onwards</b>       |         |                   |                     |           |                             |                         |           |                             |
| G00442                             | Current | 3.0 liter Auto    | Shell M1375.4       | C2C 8432  | 9.5 (10.0)                  | M2C 192A Synthetic      | JLM 20771 | 1.25 (1.32)                 |
|                                    |         | 3.5 liter Auto    | Shell M1375.4       | C2C 8432  | 9.5 (10.0)                  | M2C 192A Synthetic      | JLM 20771 | 1.25 (1.32)                 |
|                                    |         | 4.2 liter Auto    | Shell M1375.4       | C2C 8432  | 9.5 (10.0)                  | M2C 192A Synthetic      | JLM 20771 | 1.25 (1.32)                 |
|                                    |         | 4.2 liter SC Auto | Shell M1375.4       | C2C 8432  | 10.05 (10.6)                | M2C 192A Synthetic      | JLM 20771 | 1.25 (1.32)                 |

**Note:** Capacity figures quoted are maximum fill.

**Notes**

| VIN                              |         | Engine            | Transmission        |           |                             | Differential            |           |                             |
|----------------------------------|---------|-------------------|---------------------|-----------|-----------------------------|-------------------------|-----------|-----------------------------|
| From                             | To      |                   | Lubricant           | Part No   | Capacity Liters (US Quarts) | Lubricant               | Part No   | Capacity Liters (US Quarts) |
| <b>XK: 1997 up to 1998.75 MY</b> |         |                   |                     |           |                             |                         |           |                             |
| 001246                           | 024686  | 4.0 liter Auto    | Esso LT 71141       | JLM 20237 | 10.0 (10.6)                 | Shell Spirax Super TS90 | JLM 20255 | 1.9 (2.0)                   |
| <b>XK: 1998.75 up to 2003 MY</b> |         |                   |                     |           |                             |                         |           |                             |
| 024687                           | A30644  | 4.0 liter Auto    | Esso LT 71141       | JLM 20237 | 10.0 (10.6)                 | Shell Spirax Super TS90 | JLM 20255 | 1.9 (2.0)                   |
|                                  |         | 4.0 liter SC Auto | Shell ATF 3403 M115 | JLM 20292 | 9.5 (10.0)                  | Shell Spirax Super TS90 | JLM 20255 | 1.9 (2.0)                   |
| <b>XK: 2003 MY onwards</b>       |         |                   |                     |           |                             |                         |           |                             |
| A30645                           | Current | 4.2 liter Auto    | Shell M1375.4       | C2C 8432  | 9.5 (10.0)                  | Shell Spirax Super TS90 | JLM 20255 | 1.9 (2.0)                   |
|                                  |         | 4.2 liter SC Auto | Shell M1375.4       | C2C 8432  | 10.05 (10.6)                | Shell Spirax Super TS90 | JLM 20255 | 1.9 (2.0)                   |

**Note:** Capacity figures quoted are maximum fill.

**Notes**



| VIN                                    |         | Engine                | Transmission           |                        |                             | Differential       |           |                             |
|--|---------|-----------------------|------------------------|------------------------|-----------------------------|--------------------|-----------|-----------------------------|
| From                                   | To      |                       | Lubricant              | Part No                | Capacity Liters (US Quarts) | Lubricant          | Part No   | Capacity Liters (US Quarts) |
| <b>S-TYPE: 1999.25 up to 2002.5 MY</b> |         |                       |                        |                        |                             |                    |           |                             |
| L00600                                 | M45254  | 3.0 liter Man         | Esso D21065            | JLM 20937              | 1.1 (1.2)                   | M2C 192A Synthetic | JLM 20771 | 1.5 (1.6)                   |
|  |         | 3.0 liter Auto        | MERCON™ V XT-5-QM      | JLM 21044              | 9.0 (9.5)                   | M2C 192A Synthetic | JLM 20771 | 1.5 (1.6)                   |
|  |         | 4.0 liter Auto        | MERCON™ V XT-5-QM      | JLM 21044              | 9.0 (9.5)                   | M2C 192A Synthetic | JLM 20771 | 1.5 (1.6)                   |
| <b>S-TYPE: 2002.5 MY onwards</b>       |         |                       |                        |                        |                             |                    |           |                             |
| M45255                                 | Current | 2.5 liter Man         | Esso LT 71141          | JLM 20237              | 1.1 (1.2)                   | M2C 192A Synthetic | JLM 20771 | 1.25 (1.32)                 |
|  |         | 2.5 liter Auto        | Shell M1375.4          | C2C 8432               | 9.5 (10.0)                  | M2C 192A Synthetic | JLM 20771 | 1.25 (1.32)                 |
|  |         | 2.7 liter Man Diesel  | Burmah Castrol BOT 338 | XR8 50056<br>XR8 50057 | 1.6 (1.7)                   | M2C 192A Synthetic | JLM 20771 | 1.25 (1.32)                 |
|  |         | 2.7 liter Auto Diesel | Shell M1375.4          | C2C 8432               | 8.25 (8.7)                  | M2C 192A Synthetic | JLM 20771 | 1.25 (1.32)                 |
|  |         | 3.0 liter Man         | Esso LT 71141          | JLM 20237              | 1.1 (1.2)                   | M2C 192A Synthetic | JLM 20771 | 1.25 (1.32)                 |
|  |         | 3.0 liter Auto        | Shell M1375.4          | C2C 8432               | 9.5 (10.0)                  | M2C 192A Synthetic | JLM 20771 | 1.25 (1.32)                 |
|  |         | 4.2 liter Auto        | Shell M1375.4          | C2C 8432               | 9.5 (10.0)                  | M2C 192A Synthetic | JLM 20771 | 1.25 (1.32)                 |
|  |         | 4.2 liter SC Auto     | Shell M1375.4          | C2C 8432               | 10.05 (10.6)                | M2C 192A Synthetic | JLM 20771 | 1.25 (1.32)                 |

**Note:** Capacity figures quoted are maximum fill.

#### Notes

| VIN                              |                   | Engine                  | Transmission                        |           |                             | Differential       |           |                             |
|----------------------------------|-------------------|-------------------------|-------------------------------------|-----------|-----------------------------|--------------------|-----------|-----------------------------|
| From                             | To                |                         | Lubricant                           | Part No   | Capacity Liters (US Quarts) | Lubricant          | Part No   | Capacity Liters (US Quarts) |
| <b>X-TYPE: 2001.5 MY onwards</b> |                   |                         |                                     |           |                             |                    |           |                             |
| C00344                           | Current           | 2.0 liter Gasoline Man  | Castrol BOT 130M                    | C2S 19889 | 1.9 (2.0)                   | –                  | –         | –                           |
|                                  |                   | 2.0 liter Gasoline Auto | ATF IDEMITSU K17 (Jatco 3100 PL085) | C2S 12120 | 8.8 (9.3)                   | –                  | –         | –                           |
|                                  |                   | 2.0 liter Diesel Man    | Castrol BOT 130M                    | C2S 19889 | 1.9 (2.0)                   | –                  | –         | –                           |
|                                  |                   | 2.5 liter Man           | Castrol BOT 130M                    | C2S 19889 | 1.75 (1.8)                  | M2C 192A Synthetic | JLM 20771 | 1.15 (1.2)                  |
|                                  |                   | 2.5 liter Auto          | ATF IDEMITSU K17 (Jatco 3100 PL085) | C2S 12120 | 8.8 (9.3)                   | M2C 192A Synthetic | JLM 20771 | 1.15 (1.2)                  |
|                                  |                   | 3.0 liter Man           | Castrol BOT 130M                    | C2S 19889 | 1.75 (1.8)                  | M2C 192A Synthetic | JLM 20771 | 1.15 (1.2)                  |
|                                  |                   | 3.0 liter Auto          | ATF IDEMITSU K17 (Jatco 3100 PL085) | C2S 12120 | 8.8 (9.3)                   | M2C 192A Synthetic | JLM 20771 | 1.15 (1.2)                  |
|                                  |                   | <b>Transfer Case</b>    |                                     |           |                             |                    |           |                             |
|                                  | 2.5 and 3.0 liter | M2C 192A Synthetic      | JLM 20771                           | 0.6 (0.6) |                             |                    |           |                             |

**Note:** Capacity figures quoted are maximum fill.

**Notes**

| Model/Engine                    | VIN    |        | Market | Coolant Specification | Part Number | Coolant Capacities<br>50% water + 50% coolant<br>Liters (US Quarts) | Notes |
|---------------------------------|--------|--------|--------|-----------------------|-------------|---|-------|
|                                 | From   | To     |        |                       |             |   |       |
| <b>XJ: 1998 MY</b>              |        |        |        |                       |             |   |       |
| 3.2 liter                       | 812317 | 853935 | All    | DOW D542              | JLM 20404/* | 10.0 (10.6)   |       |
| 4.0 liter                       |        |        | All    | DOW D542              | JLM 20404/* | 10.0 (10.6)   |       |
| 4.0 liter SC                    |        |        | All    | DOW D542              | JLM 20404/* | 12.0 (12.7)   |       |
| <b>XJ: 1999 MY</b>              |        |        |        |                       |             |   |       |
| 3.2 liter                       | 853936 | 878273 | All    | DOW D542              | JLM 20404/* | 10.0 (10.6)   |       |
|                                 | 878274 | 878717 | All    | WSS M97B44-D          | JLM 20972/* |   |       |
| 4.0 liter                       | 853936 | 878273 | All    | DOW D542              | JLM 20404/* | 10.0 (10.6)   |       |
|                                 | 878274 | 878717 | All    | WSS M97B44-D          | JLM 20972/* |   |       |
| 4.0 liter SC                    | 853936 | 878273 | All    | DOW D542              | JLM 20404/* | 12.0 (12.7)   |       |
|                                 | 878274 | 878717 | All    | WSS M97B44-D          | JLM 20972/* |   |       |
| <b>XJ: 2000 up to 2003.5 MY</b> |        |        |        |                       |             |   |       |
| 3.2 liter                       | F00103 | F59525 | All    | WSS M97B44-D          | JLM 20972/* | 10.0 (10.6)   |       |
| 4.0 liter                       |        |        | All    | WSS M97B44-D          | JLM 20972/* | 10.0 (10.6)   |       |
| 4.0 liter SC                    |        |        | All    | WSS M97B44-D          | JLM 20972/* | 12.0 (12.7)   |       |

**Note:** \* denotes container quantity when substituted with a number.

**Caution:** Coolant JLM 20972 is of the organic acid technology (OAT) type and must not be mixed with other types of coolant.

| Model/Engine                 | VIN    |         | Market | Coolant Specification | Part Number | Coolant Capacities<br>50% water + 50% coolant<br>Liters (US Quarts) | <u>Notes</u> |
|------------------------------|--------|---------|--------|-----------------------|-------------|---|--------------|
|                              | From   | To      |        |                       |             |   |              |
| <b>Xj: 2003.5 MY onwards</b> |        |         |        |                       |             |   |              |
| 3.0 liter – 2 Zone           | G00442 | Current | All    | WSS M97B44–D          | JLM 20972/* | 10.25 (10.83) approx.   |              |
| 3.0 liter – 4 Zone           |        |         | All    | WSS M97B44–D          | JLM 20972/* | 11.05 (11.67) approx.   |              |
| 3.5 liter – 2 Zone           |        |         | All    | WSS M97B44–D          | JLM 20972/* | 9.45 (9.98) approx.   |              |
| 3.5 liter – 4 Zone           |        |         | All    | WSS M97B44–D          | JLM 20972/* | 10.25 (10.83) approx.   |              |
| 4.2 liter – 2 Zone           |        |         | All    | WSS M97B44–D          | JLM 20972/* | 9.45 (9.98) approx.   |              |
| 4.2 liter – 4 Zone           |        |         | All    | WSS M97B44–D          | JLM 20972/* | 10.25 (10.83) approx.   |              |
| 4.2 liter SC – 2 Zone        |        |         | All    | WSS M97B44–D          | JLM 20972/* | 12.35 (13.05) approx.   |              |
| 4.2 liter SC – 4 Zone        |        |         | All    | WSS M97B44–D          | JLM 20972/* | 13.15 (13.89) approx.   |              |

**Note:** \* denotes container quantity when substituted with a number.

**Caution:** Coolant JLM 20972 is of the organic acid technology (OAT) type and must not be mixed with other types of coolant.

| Model/Engine                     | VIN    |         | Market | Coolant Specification | Part Number | Coolant Capacities<br>50% water + 50% coolant<br>Liters (US Quarts) | Notes |
|----------------------------------|--------|---------|--------|-----------------------|-------------|---|-------|
|                                  | From   | To      |        |                       |             |   |       |
| <b>XK: 1997 up to 1998.75 MY</b> |        |         |        |                       |             |   |       |
| 4.0 liter                        | 001246 | 024686  | All    | DOW D542              | JLM 20404/* | 9.5 (10.0)  |       |
| <b>XK: 1998.75 up to 2000 MY</b> |        |         |        |                       |             |   |       |
| 4.0 liter                        | 024687 | 042634  | All    | DOW D542              | JLM 20404/* | 9.5 (10.0)  |       |
|                                  | 042635 | 042775  | All    | WSS M97B44–D          | JLM 20972/* |   |       |
| 4.0 liter SC                     | 024687 | 042634  | All    | DOW D542              | JLM 20404/* | 11.5 (12.1)   |       |
|                                  | 042635 | 042775  | All    | WSS M97B44–D          | JLM 20972/* |   |       |
| <b>XK: 2000 up to 2003 MY</b>    |        |         |        |                       |             |   |       |
| 4.0 liter                        | A00116 | A30644  | All    | WSS M97B44–D          | JLM 20972/* | 9.5 (10.0)  |       |
| 4.0 liter SC                     |        |         | All    | WSS M97B44–D          | JLM 20972/* | 11.5 (12.1)   |       |
| <b>XK: 2003 MY onwards</b>       |        |         |        |                       |             |   |       |
| 4.2 liter                        | A30645 | Current | All    | WSS M97B44–D          | JLM 20972/* | 9.5 (10.0)  |       |
| 4.2 liter SC                     |        |         | All    | WSS M97B44–D          | JLM 20972/* | 11.5 (12.1)   |       |

**Note:** \* denotes container quantity when substituted with a number.

**Caution:** Coolant JLM 20972 is of the organic acid technology (OAT) type and must not be mixed with other types of coolant.

| Model/Engine                           | VIN    |         | Market | Coolant Specification | Part Number | Coolant Capacities<br>50% water + 50% coolant<br>Liters (US Quarts) | <u>Notes</u> |
|--|--------|---------|--------|-----------------------|-------------|---|--------------|
|  | From   | To      |        |                       |             |   |              |
| <b>S-TYPE: 1999.25 up to 2002.5 MY</b> |        |         |        |                       |             |   |              |
| 3.0 liter                              | L00600 | M45254  | All    | WSS M97B44-D          | JLM 20972/* | 10.4 (11.0)   |              |
| 4.0 liter                              |        |         | All    | WSS M97B44-D          | JLM 20972/* | 10.0 (10.6)   |              |
| <b>S-TYPE: 2002.5 MY onwards</b>       |        |         |        |                       |             |   |              |
| 2.5 liter                              | M45255 | Current | All    | WSS M97B44-D          | JLM 20972/* | 9.4 (9.9)   |              |
| 2.7 liter diesel                       |        |         | EUR    | WSS M97B44-D          | JLM 20972/* | 13.5 (14.2)   |              |
| 3.0 liter                              |        |         | All    | WSS M97B44-D          | JLM 20972/* | 9.4 (9.9)   |              |
| 4.2 liter                              |        |         | All    | WSS M97B44-D          | JLM 20972/* | 10.1 (10.7)   |              |
| 4.2 liter SC                           |        |         | All    | WSS M97B44-D          | JLM 20972/* | 13.3 (14.0)   |              |
| <b>X-TYPE: 2001.5 MY onwards</b>       |        |         |        |                       |             |   |              |
| 2.0 liter Gasoline                     | C00344 | Current | All    | WSS M97B44-D          | JLM 20972/* | 10.0 (10.6)   |              |
| 2.0 liter Diesel                       |        |         | EUR    | WSS M97B44-D          | JLM 20972/* | 10.1 (10.7)   |              |
| 2.5 liter                              |        |         | All    | WSS M97B44-D          | JLM 20972/* | 10.0 (10.6)   |              |
| 3.0 liter                              |        |         | All    | WSS M97B44-D          | JLM 20972/* | 10.0 (10.6)   |              |

**Note:** \* denotes container quantity when substituted with a number.

**Caution:** Coolant JLM 20972 is of the organic acid technology (OAT) type and must not be mixed with other types of coolant.

| VIN                                    |         | Engine/Zone | Market | Refrigerant | Refrigerant Charge Weight | Compressor Lubricant | Compressor Lubricant Part Number | Compressor Lubricant Capacity |
|--|---------|-------------|--------|-------------|---------------------------|----------------------|----------------------------------|-------------------------------|
| From                                   | To      |             |        |             |                           |                      |                                  |                               |
| <b>XJ: 1998 up to 2003.5 MY</b>        |         |             |        |             |                           |                      |                                  |                               |
| 812317                                 | F59525  |             | All    | R134a       | 675g ± 25g                | Polyalkyleneglycol   | JLM 12260                        | 160 – 200 ml                  |
| <b>XJ: 2003.5 MY onwards</b>           |         |             |        |             |                           |                      |                                  |                               |
| G00442                                 | Current | 2 Zone      | All    | R134a       | 650g ± 25g                | Polyalkyleneglycol   | JLM 12260                        | 140 ml                        |
|  |         | 4 Zone      | All    | R134a       | 800g ± 25g                | Polyalkyleneglycol   | JLM 12260                        | 180 ml                        |
| <b>XK: 1997 MY onwards</b>             |         |             |        |             |                           |                      |                                  |                               |
| 001246                                 | Current |             | All    | R134a       | 650g ± 50g                | Polyalkyleneglycol   | JLM 12260                        | 160 – 200 ml                  |
| <b>S-TYPE: 1999.25 up to 2002.5 MY</b> |         |             |        |             |                           |                      |                                  |                               |
| L00600                                 | M45254  |             | All    | R134a       | 800g ± 25g                | Polyalkyleneglycol   | XR8 3680                         | 207 ml                        |
| <b>S-TYPE: 2002.5 MY onwards</b>       |         |             |        |             |                           |                      |                                  |                               |
| M45255                                 | Current | Gasoline    | All    | R134a       | 750g ± 25g                | Polyalkyleneglycol   | XR8 3680                         | 207 ml                        |
|  |         | Diesel      | EUR    | R134a       | 700g ± 50g                | Polyalkyleneglycol   | XR8 3680                         | 207 ml                        |
| <b>X-TYPE: 2001.5 MY onwards</b>       |         |             |        |             |                           |                      |                                  |                               |
| C00344                                 | Current | Gasoline    | All    | R134a       | 810g ± 15g                | Polyalkyleneglycol   | XR8 3680                         | 220 ml                        |
|  |         | Diesel      | EUR    | R134a       | 735g ± 25g                | Polyalkyleneglycol   | XR8 3680                         | 200 ml                        |

Notes

| VIN                                |         | Engine       | Market | Fluid Specification                      | Part Number | Oil Capacity<br>Liters – US Quarts | <u>Notes</u> |
|------------------------------------|---------|--------------|--------|--|-------------|------------------------------------|--------------|
| From                               | To      |              |        |  |             |                                    |              |
| <b>Xj: 1998 MY up to 2003.5 MY</b> |         |              |        |  |             |                                    |              |
| 812317                             | F59525  | 3.2 liter    | All    | Mobil ATF meeting Dexron 3 Specification | JLM 21703   | 1 approx.                          |              |
|                                    |         | 4.0 liter    | All    | Mobil ATF meeting Dexron 3 Specification | JLM 21703   | 1 approx.                          |              |
|                                    |         | 4.0 liter SC | All    | Mobil ATF meeting Dexron 3 Specification | JLM 21703   | 1 approx.                          |              |
| <b>Xj: 2003.5 MY onwards</b>       |         |              |        |  |             |                                    |              |
| G00442                             | Current | 3.0 liter    | All    | Mobil ATF meeting Dexron 3 Specification | JLM 21703   | 1.6 approx.                        |              |
|                                    |         | 3.5 liter    | All    | Mobil ATF meeting Dexron 3 Specification | JLM 21703   | 1.6 approx.                        |              |
|                                    |         | 4.2 liter    | All    | Mobil ATF meeting Dexron 3 Specification | JLM 21703   | 1.6 approx.                        |              |
|                                    |         | 4.2 liter SC | All    | Mobil ATF meeting Dexron 3 Specification | JLM 21703   | 1.6 approx.                        |              |



| VIN                              |         | Engine       | Market | Fluid Specification                      | Part Number | Oil Capacity<br>Liters – US Quarts | <u>Notes</u> |
|----------------------------------|---------|--------------|--------|--|-------------|------------------------------------|--------------|
| From                             | To      |              |        |  |             |                                    |              |
| <b>XK: 1997 up to 1998.75 MY</b> |         |              |        |  |             |                                    |              |
| 001246                           | 024686  | 4.0 liter    | All    | Mobil ATF meeting Dexron 3 Specification | JLM 21703   | 1 approx.                          |              |
| <b>XK: 1998.75 up to 2003 MY</b> |         |              |        |  |             |                                    |              |
| 024687                           | A30644  | 4.0 liter    | All    | Mobil ATF meeting Dexron 3 Specification | JLM 21703   | 1 approx.                          |              |
|                                  |         | 4.0 liter SC | All    | Mobil ATF meeting Dexron 3 Specification | JLM 21703   | 1 approx.                          |              |
| <b>XK: 2003 MY onwards</b>       |         |              |        |  |             |                                    |              |
| A30645                           | Current | 4.2 liter    | All    | Mobil ATF meeting Dexron 3 Specification | JLM 21703   | 1 approx.                          |              |
|                                  |         | 4.2 liter SC | All    | Mobil ATF meeting Dexron 3 Specification | JLM 21703   | 1 approx.                          |              |

| VIN                                  |         | Engine           | Market | Fluid Specification                      | Part Number | Oil Capacity<br>Liters – US Quarts | <u>Notes</u> |
|--------------------------------------|---------|------------------|--------|--|-------------|------------------------------------|--------------|
| From                                 | To      |                  |        |  |             |                                    |              |
| <b>S-TYPE: 1999.25 up to 2001 MY</b> |         |                  |        |  |             |                                    |              |
| L00600                               | L86901  | 3.0 liter        | All    | WSA-M2C195-A                             | JLM 20772   | 1 approx.                          |              |
|                                      |         | 4.0 liter        | All    | WSA-M2C195-A                             | JLM 20772   | 1 approx.                          |              |
| <b>S-TYPE: 2001 up to 2002.5 MY</b>  |         |                  |        |  |             |                                    |              |
| L86902                               | M45254  | 3.0 liter        | All    | Mobil ATF meeting Dexron 3 Specification | JLM 21703   | 1.6 approx.                        |              |
|                                      |         | 4.0 liter        | All    | Mobil ATF meeting Dexron 3 Specification | JLM 21703   | 1.6 approx.                        |              |
| <b>S-TYPE: 2002.5 MY onwards</b>     |         |                  |        |  |             |                                    |              |
| M45255                               | Current | 2.5 liter        | All    | Mobil ATF meeting Dexron 3 Specification | JLM 21703   | 1.6 approx.                        |              |
|                                      |         | 2.7 liter Diesel | EUR    | Mobil ATF meeting Dexron 3 Specification | JLM 21703   | 1.6 approx.                        |              |
|                                      |         | 3.0 liter        | All    | Mobil ATF meeting Dexron 3 Specification | JLM 21703   | 1.6 approx.                        |              |
|                                      |         | 4.2 liter        | All    | Mobil ATF meeting Dexron 3 Specification | JLM 21703   | 1.6 approx.                        |              |
|                                      |         | 4.2 liter SC     | All    | Mobil ATF meeting Dexron 3 Specification | JLM 21703   | 1.6 approx.                        |              |

| VIN                      |         | Engine             | Market | Fluid Specification                      | Part Number | Oil Capacity<br>Liters – US Quarts | <u>Notes</u> |
|--------------------------|---------|--------------------|--------|--|-------------|------------------------------------|--------------|
| From                     | To      |                    |        |  |             |                                    |              |
| <b>X-TYPE: 2001.5 MY</b> |         |                    |        |  |             |                                    |              |
| C00344                   | Current | 2.0 liter Gasoline | All    | Mobil ATF meeting Dexron 3 Specification | JLM 21703   | 1.2 approx.                        |              |
|                          |         | 2.0 liter Diesel   | EUR    | Mobil ATF meeting Dexron 3 Specification | JLM 21703   | 1.5 approx.                        |              |
|                          |         | 2.5 liter          | All    | Mobil ATF meeting Dexron 3 Specification | JLM 21703   | 1.2 approx.                        |              |
|                          |         | 3.0 liter          | All    | Mobil ATF meeting Dexron 3 Specification | JLM 21703   | 1.2 approx.                        |              |

| VIN                             |                                 | Wheel             | Tire                                       | Tire Unique Identifier              | Notes |
|---------------------------------|---------------------------------|-------------------|--|-------------------------------------|-------|
| From                            | To                              |                   |  |                                     |       |
| <b>Xj: 1998 up to 2003.5 MY</b> |                                 |                   |  |                                     |       |
| 812317                          | F59525                          | 7" x 16"          | 225/60ZR 16 98W Pirelli P4000e             | size/designation/<br>UK manufacture |       |
|                                 |                                 |                   | 225/60ZR 16 98W Pirelli P6000              | size/designation/<br>UK manufacture |       |
|                                 |                                 |                   | 225/55R 16 95W Continental EcoContact CP   | Star marked                         |       |
|                                 |                                 |                   | 225/60R 16 Michelin Energy MXV4 Plus *     | size/designation                    |       |
|                                 |                                 | 8" x 16"          | 225/55ZR 16 95W J Pirelli P6000            | J marked                            |       |
|                                 |                                 | 7.5" and 8" x 17" | 235/50ZR 17 96Y Pirelli P6000              | size/designation/<br>UK manufacture |       |
|                                 |                                 | 8" and 8.5" x 18" | 255/40ZR 18 95Y Pirelli P-Zero asimmetrico | size/designation/<br>UK manufacture |       |
|                                 |                                 | 8.5" x 19"        | 255/35ZR 19 Pirelli P-Zero                 | size/designation                    |       |
| 3.5" and 4" x 18"               | T115/85R 18 96M Pirelli (spare) | size/designation  |  |                                     |       |

**Note:** \* Only fitted to USA and Canadian cars, limited to 195 km/h (121 mile/h).

**Note:** As tire fitment can vary in individual markets, consult the vehicle handbook or tire label for further information.

| VIN                          |                                  | Wheel            | Tire  | Tire Unique Identifier | Notes |
|------------------------------|----------------------------------|------------------|---|------------------------|-------|
| From                         | To                               |                  |   |                        |       |
| <b>XJ: 2003.5 MY onwards</b> |                                  |                  |   |                        |       |
| G00442                       | Current                          | 7" x 17"         | 235/55HR 17 99H Pirelli P6 Four Seasons *         | size/designation       |       |
|                              |                                  |                  | 235/55ZR 17 99W Pirelli P6000 Powergy             | size/designation       |       |
|                              |                                  | 8" x 18"         | 235/50HR 18 97H MichelinPilot HX MXM4 *           | size/designation       |       |
|                              |                                  |                  | 235/50HR 18 97H Continental ContiTouringContact * | J marked               |       |
|                              |                                  |                  | 235/50ZR 18 97W Pirelli P6000 Powergy             | size/designation       |       |
|                              |                                  | 8.5" x 19"       | 255/40ZR 19 96Y Pirelli P-Zero                    | size/designation       |       |
|                              |                                  | 9" x 20"         | 255/35ZR 20 97Y MichelinPilot Sport               | size/designation       |       |
| 4" x 18"                     | T135/80R 18 104M Pirelli (spare) | size/designation |   |                        |       |

**Note:** \* Only fitted to USA and Canadian cars, limited to 195 km/h (121 mile/h).

**Note:** As tire fitment can vary in individual markets, consult the vehicle handbook or tire label for further information.

| VIN                        |                                  | Wheel             | Tire  | Tire Unique Identifier                  | Notes |
|----------------------------|----------------------------------|-------------------|---|---|-------|
| From                       | To                               |                   |   |   |       |
| <b>XK: 1997 MY onwards</b> |                                  |                   |   |   |       |
| 001246                     | Current                          | 8" x 17"          | 245/50ZR 17 99Y Pirelli P-Zero asimmetrico    | size/designation/<br>UK manufacture     |       |
|                            |                                  | 8" and 8.5" x 18" | 245/45ZR 18 96W Continental ContiSportContact | size/designation/) marked               |       |
|                            |                                  |                   | 245/45ZR 18 96Y Pirelli P-Zero direzionale    | size/designation/<br>German manufacture |       |
|                            |                                  | 9" x 18"          | 255/45ZR 18 99W Continental ContiSportContact | size/designation/) marked               |       |
|                            |                                  |                   | 255/45ZR 18 99Y Pirelli P-Zero asimmetrico    | size/designation/<br>German manufacture |       |
|                            |                                  | 8" x 19"          | 245/40ZR 19 98Y Pirelli P-Zero Rosso          | size/designation                        |       |
|                            |                                  | 9" x 19"          | 255/40ZR 19 100Y Pirelli P-Zero Rosso         | size/designation                        |       |
|                            |                                  | 9" x 20"          | 255/35ZR 20 97Y Pirelli P-Zero direzionale    | size/designation/) marked               |       |
|                            |                                  | 10" x 20"         | 285/30ZR 20 99Y Pirelli P-Zero asimmetrico    | size/designation/) marked               |       |
| 3.5" and 4" x 18"          | T135/80R 18 104M Pirelli (spare) | size/designation  |   |   |       |

**Note:** As tire fitment can vary in individual markets, consult the vehicle handbook or tire label for further information.

| VIN                                    |        | Wheel             | Tire   | Tire Unique Identifier | Notes |
|--|--------|-------------------|--|------------------------|-------|
| From                                   | To     |                   |  |                        |       |
| <b>S-TYPE: 1999.25 up to 2002.5 MY</b> |        |                   |  |                        |       |
| L00600                                 | M45254 | 7" and 7.5" x 16" | 225/55ZR 16 95W Pirelli P6000                | J marked               |       |
|  |        |                   | 225/55R 16 95W Continental EcoContact CP     | Star marked            |       |
|  |        |                   | 225/55R 16 95H Bridgestone Turanza EL42 *    | size/designation       |       |
|  |        | 7.5" x 17"        | 235/50ZR 17 96W Pirelli P-Zero               | size/designation       |       |
|  |        |                   | 245/45R 17 95W Continental ContiSportContact |                        |       |
|  |        | 8" x 18"          | 245/40ZR 18 97Y Pirelli P-Zero               | size/designation       |       |
|  |        | 4" x 16"          | T145/80R 16 105M General (spare)             | size/designation       |       |

**Note:** \* Only fitted to USA and Canadian cars, limited to 195 km/h (121 mile/h).

**Note:** As tire fitment can vary in individual markets, consult the vehicle handbook or tire label for further information.

| VIN                              |                             | Wheel            | Tire   | Tire Unique Identifier | Notes |
|----------------------------------|-----------------------------|------------------|--|------------------------|-------|
| From                             | To                          |                  |  |                        |       |
| <b>S-TYPE: 2002.5 MY onwards</b> |                             |                  |  |                        |       |
| M45255                           | Current                     | 6.5" x 16"       | 205/60VR 16 92V Pirelli P7                       | size/designation       |       |
|                                  |                             |                  | 225/55ZR 16 95W Pirelli P6000                    | J marked               |       |
|                                  |                             | 7.5" x 16"       | 225/55R 16 95H Bridgestone EL42 Turanza *        | size/designation       |       |
|                                  |                             |                  | 225/55R 16 95H Continental ContiTouringContact * | J marked               |       |
|                                  |                             |                  | 235/50ZR 17 96Y Pirelli P6000 Powergy            | size/designation       |       |
|                                  |                             | 7.5" x 17"       | 235/50R 17 96H Michelin MXM4 *                   | size/designation       |       |
|                                  |                             |                  | 235/50ZR 17 96W Pirelli P-Zero                   | size/designation       |       |
|                                  |                             | 8" x 18"         | 245/40ZR 18 97Y Pirelli P-Zero                   | size/designation       |       |
|                                  |                             | 8" x 18"         | 245/40 R 18 93H Continental ContiProContact *    | J marked               |       |
|                                  |                             | 8" x 18"         | 245/40ZR 18 Continental ContiSportContact        | J marked               |       |
|                                  |                             | 9.5" x 18"       | 275/35ZR 18 Continental ContiSportContact        | J marked               |       |
|                                  |                             | 4" x 16"         | T145/80R 16 Continental (spare)                  | size/designation       |       |
| 4" x 18"                         | T115/85R 18 Pirelli (spare) | size/designation |  |                        |       |

**Note:** \* Only fitted to USA and Canadian cars, limited to 195 km/h (121 mile/h).

**Note:** Using an unspecified wheel size may affect the calibration of the speedometer (this applies to S-TYPE 2002.5 MY onwards, and X-TYPE only).

**Note:** As tire fitment can vary in individual markets, consult the vehicle handbook or tire label for further information.



| VIN                              |                                 | Wheel               | Tire   | Tire Unique Identifier                      | Notes |
|----------------------------------|---------------------------------|---------------------|--|---|-------|
| From                             | To                              |                     |  |   |       |
| <b>X-TYPE: 2001.5 MY onwards</b> |                                 |                     |  |   |       |
| C00344                           | Current                         | 6.5" x 16"<br>steel | 205/55R 16 91V Pirelli P6000 Powergy         | J marked                                    |       |
|                                  |                                 | 6.5" x 16"<br>alloy | 205/55R 16 91H *                             | J marked                                    |       |
|                                  |                                 |                     | 205/55R 16 91V Pirelli P6000 Powergy         | J marked                                    |       |
|                                  |                                 | 7" x 17"            | 225/45R 17 91Y Pirelli P-Zero                | size/designation/<br>no yellow P-Zero label |       |
|                                  |                                 |                     | 225/45R 17 94W Continental ContiSportContact | J marked/size/designation                   |       |
|                                  |                                 |                     | 225/45R 17 91H *                             | J marked                                    |       |
|                                  |                                 |                     | 205/50R 17 93Y Pirelli P-Zero Rosso          | size/designation                            |       |
|                                  |                                 | 7.5" x 18"          | 225/40ZR 18 92Y Pirelli P-Zero Nero          | size/designation                            |       |
| 4" x 16"                         | T125/85R 16 99M Pirelli (spare) | size/designation    |  |   |       |

**Note:** \* Only fitted to USA and Canadian cars, limited to 195 km/h (121 mile/h).

**Note:** Using an unspecified wheel size may affect the calibration of the speedometer (this applies to S-TYPE 2002.5 MY onwards, and X-TYPE only).

**Note:** As tire fitment can vary in individual markets, consult the vehicle handbook or tire label for further information.

| VIN                          |         | Wheel                    | Tire                         | Tire Unique Identifier | Notes |
|------------------------------|---------|--------------------------|------------------------------|------------------------|-------|
| From                         | To      |                          |                              |                        |       |
| <b>XJ: 2003.5 MY onwards</b> |         |                          |                              |                        |       |
| G00442                       | Current | 7.5" x 17"               | 235/55R 17 Continental TS790 | -                      |       |
|                              |         | 8" x 18"                 | 235/50R 18 Continental TS790 | -                      |       |
|                              |         | 8" x 18"                 | 235/50R 18 Pirelli Snowsport | -                      |       |
|                              |         | 8.5" x 19"               | 245/45R 19 Pirelli Snowsport | -                      |       |
| <b>XK: 1997 MY onwards</b>   |         |                          |                              |                        |       |
| 001246                       | Current | 8" x 17"                 | 245/50R 17 Pirelli Snowsport | -                      |       |
|                              |         | 8" x 18"<br>Front        | 245/45R 18 Pirelli Snowsport | -                      |       |
|                              |         | 9" x 18"<br>Rear         |                              |                        |       |
|                              |         | 8.5" x 18"<br>All wheels | 245/45R 18 Pirelli Snowsport | -                      |       |

| VIN                              |                                   | Wheel                      | Tire                              | Tire Unique Identifier | Notes |
|----------------------------------|-----------------------------------|----------------------------|-----------------------------------|------------------------|-------|
| From                             | To                                |                            |                                   |                        |       |
| <b>S-TYPE: 2002.5 MY onwards</b> |                                   |                            |                                   |                        |       |
| M45255                           | Current                           | <b>Excluding "R" Model</b> |                                   |                        |       |
|                                  |                                   | 7" or 7.5" x 16"           | 225/55R 16 Pirelli Snowsport      | -                      |       |
|                                  |                                   | 7" or 7.5" x 16"           | 225/55R 16 Continental TS790      | -                      |       |
|                                  |                                   | 7.5" x 17"                 | 235/50R 17 Pirelli Snowsport      | -                      |       |
|                                  |                                   | 7.5" x 17"                 | 235/50R 17 Continental TS790      | -                      |       |
|                                  |                                   | <b>"R" Model only</b>      |                                   |                        |       |
|                                  |                                   | 8" x 18"                   | 235/40R 18 95V Pirelli Winter 240 | -                      |       |
| 9.5" x 18"                       | 265/35R 18 97V Pirelli Winter 240 | -                          |                                   |                        |       |

| VIN                              |         | Wheel      | Tire                         | Tire Unique Identifier | <u>Notes</u> |
|----------------------------------|---------|------------|------------------------------|------------------------|--------------|
| From                             | To      |            |                              |                        |              |
| <b>X-TYPE: 2001.5 MY onwards</b> |         |            |                              |                        |              |
| C00344                           | Current | 6.5" x 16" | 205/55R 16 Pirelli Snowsport | -                      |              |
|                                  |         | 6.5" x 16" | 205/55R 16 Continental TS790 | -                      |              |
|                                  |         | 7" x 17"   | 225/45R 17 Pirelli Snowsport | -                      |              |
|                                  |         | 7" x 17"   | 225/45R 17 Continental TS790 | -                      |              |
|                                  |         | 7" x 17"   | 205/50R 17 Pirelli Snowsport | -                      |              |
|                                  |         | 7.5" x 18" | 225/40R 18 Continental TS790 | -                      |              |
|                                  |         | 7.5" x 18" | 225/40R 18 Pirelli Snowsport | -                      |              |

| VIN                           |        | Vehicle Speed and Loading                          | Tire Size | Tire Pressures – cold bar (lb/in <sup>2</sup> ) |          | <u>Notes</u> |  |
|-------------------------------|--------|--|-----------|---|----------|--------------|--|
| From                          | To     |  |           | Front   | Rear     |              |  |
| <b>XJ: 1998 up to 2000 MY</b> |        |  |           |   |          |              |  |
| 812317                        | 878717 | <b>Normal:</b> speeds above 160 km/h – 100 mile/h  | 16 inch   | 2.2 (32)  | 2.3 (34) |              |  |
|                               |        |  | 17 inch   | 2.2 (32)  | 2.3 (34) |              |  |
|                               |        |  | 18 inch   | 2.2 (32)  | 2.3 (34) |              |  |
|                               |        | <b>Comfort:</b> speeds below 160 km/h – 100 mile/h | 16 inch   | 1.8 (26)  | 1.9 (28) |              |  |
|                               |        |  | 17 inch   | 1.8 (26)  | 1.9 (28) |              |  |
|                               |        |  | 18 inch   | 1.8 (26)  | 1.9 (28) |              |  |
|                               |        | <b>Max Speed 80 km/h – 50 mile/h</b>               |           | 3.5 x 18 inch (spare)                           | 4.2 (60) | 4.2 (60)     |  |

**Note:** As tire pressures can vary in individual markets always consult the vehicle tire label for further information.

| VIN                             |        | Vehicle Speed and Loading                          | Tire Size                        | Tire Pressures cold – bar (lbf/in <sup>2</sup> ) |          |          |          |
|---------------------------------|--------|--|----------------------------------|--|----------|----------|----------|
| From                            | To     |  |                                  | Front  | Rear     | Markets* |          |
|                                 |        |  |                                  | Front  | Rear     | Front    | Rear     |
| <b>Xj: 2000 up to 2003.5 MY</b> |        |  |                                  |  |          |          |          |
| F00103                          | F59525 | <b>Normal:</b> speeds above 160 km/h – 100 mile/h  | 16 inch                          | 2.2 (32)   | 2.3 (34) | –        | –        |
|                                 |        |  | 17 inch                          | 2.2 (32)   | 2.3 (34) | –        | –        |
|                                 |        |  | 18 inch                          | 2.2 (32)   | 2.3 (34) | 2.2 (32) | 2.3 (34) |
|                                 |        |  | 19 inch                          | 2.3 (34)   | 2.6 (38) | –        | –        |
|                                 |        | <b>Comfort:</b> speeds below 160 km/h – 100 mile/h | 16 inch                          | 1.8 (26)   | 1.9 (28) | –        | –        |
|                                 |        |  | 17 inch                          | 1.8 (26)   | 1.9 (28) | –        | –        |
|                                 |        |  | 18 inch                          | 1.8 (26)   | 1.9 (28) | 2.2 (32) | 2.3 (34) |
|                                 |        |  | 19 inch                          | 2.2 (32)   | 2.4 (35) | –        | –        |
|                                 |        | Max Speed 80 km/h – 50 mile/h                      | 3.5 x 18 and 4 x 18 inch (spare) | 4.2 (60)   | 4.2 (60) | –        | –        |

\* Argentina, Brazil, Chile, Dominican Republic, Morocco, Panama, Philippines, Russia, Sri Lanka.

**Note:** As tire pressures can vary in individual markets always consult the vehicle tire label for further information.

**Notes**

| VIN                          |         | Vehicle Speed and Loading                          | Tire Size | Tire Pressures cold – bar (lbf/in <sup>2</sup> ) |          |                 |          |           |          |  |
|------------------------------|---------|--|-----------|--|----------|-----------------|----------|-----------|----------|--|
| From                         | To      |  |           | USA and Canada                                   |          | ROW excluding * |          | Markets * |          |  |
|                              |         |  |           | Front  | Rear     | Front           | Rear     | Front     | Rear     |  |
| <b>XJ: 2003.5 MY onwards</b> |         |  |           |  |          |                 |          |           |          |  |
| G00442                       | Current | <b>Normal:</b> speeds above 160 km/h – 100 mile/h  | 17 inch   | 2.1 (30)   | 2.2 (32) | 2.2 (32)        | 2.3 (34) | –         | –        |  |
|                              |         |  | 18 inch   | 2.1 (30)   | 2.2 (32) | 2.5 (36)        | 2.6 (38) | 2.5 (36)  | 2.6 (38) |  |
|                              |         |  | 19 inch   | 2.2 (32)   | 2.3 (34) | 2.2 (32)        | 2.3 (34) | –         | –        |  |
|                              |         |  | 20 inch   | 2.3 (34)   | 2.5 (36) | 2.3 (34)        | 2.5 (36) | –         | –        |  |
|                              |         | <b>Comfort:</b> speeds below 160 km/h – 100 mile/h | 17 inch   | 1.9 (28)   | 2.1 (30) | 1.9 (28)        | 2.1 (30) | –         | –        |  |
|                              |         |  | 18 inch   | 1.9 (28)   | 2.1 (30) | 1.9 (28)        | 2.1 (30) | 2.5 (36)  | 2.6 (38) |  |
|                              |         |  | 19 inch   | 1.9 (28)   | 2.1 (30) | 1.9 (28)        | 2.1 (30) | –         | –        |  |
|                              |         |  | 20 inch   | 2.2 (32)   | 2.3 (34) | 2.2 (32)        | 2.3 (34) | –         | –        |  |
|                              |         | <b>Max Speed 80 km/h – 50 mile/h</b>               |           | 4" x 18" (spare)                                 | 4.2 (60) |                 |          |           |          |  |

\* Argentina, Brazil, Bulgaria, Chile, Dominican Republic, Panama, Philippines, Russia, Sri Lanka, (Morocco up to 2004 MY).

**Note:** As tire pressures can vary in individual markets always consult the vehicle tire label for further information.

Notes

| VIN  |                  | Vehicle Speed and Loading                          | Tire Size                        | Tire Pressures – cold bar (lbf/in <sup>2</sup> )  |          | <u>Notes</u> |          |  |
|--|------------------|--|----------------------------------|---|----------|--------------|----------|--|
| From   | To               |  |                                  | Front   | Rear     |              |          |  |
| <b>XK: 1997 up to 1998.75 MY</b>                   |                  |  |                                  |   |          |              |          |  |
| 001246   | 024686           | <b>Normal:</b> speeds above 160 km/h – 100 mile/h  | 17 inch                          | 2.2 (32)  | 2.3 (34) |              |          |  |
|  |                  |  | 18 inch tire date code pre “048” | 2.2 (32)  | 2.1 (30) |              |          |  |
|  |                  |  | 18 inch tire date code “048” on  | 2.2 (32)  | 2.3 (34) |              |          |  |
|  |                  | <b>Comfort:</b> speeds below 160 km/h – 100 mile/h | 17 inch                          | 1.8 (26)  | 1.9 (28) |              |          |  |
|  |                  |  | 18 inch tire date code pre “048” | 1.8 (26)  | 1.6 (24) |              |          |  |
|  |                  |  | 18 inch tire date code “048” on  | 1.8 (26)  | 1.9 (28) |              |          |  |
|  |                  | Max Speed 80 km/h – 50 mile/h                      | 3.5 x 18 (spare)                 | 4.2 (60)  | 4.2 (60) |              |          |  |
|  |                  | <b>XK: 1998.75 up to 2000 MY</b>                   |                                  |   |          |              |          |  |
|  |                  | 024687   | 042775                           | <b>Normal:</b> speeds above 160 km/h – 100 mile/h | 17 inch  | 2.2 (32)     | 2.3 (34) |  |
| 18 inch  | 2.2 (32)         |  |                                  |   | 2.3 (34) |              |          |  |
| <b>Comfort:</b> speeds below 160 km/h – 100 mile/h | 17 inch          |  |                                  | 1.8 (26)  | 1.9 (28) |              |          |  |
|  | 18 inch          |  |                                  | 1.8 (26)  | 1.9 (28) |              |          |  |
| Max Speed 80 km/h – 50 mile/h                      | 3.5 x 18 (spare) |  |                                  | 4.2 (60)  | 4.2 (60) |              |          |  |

**Note:** As tire pressures can vary in individual markets always consult the vehicle tire label for further information.



| VIN                        |         | Vehicle Speed and Loading                          | Tire Size                        | Tire Pressures cold – bar (lbf/in <sup>2</sup> ) |          |          |          |
|----------------------------|---------|--|----------------------------------|--|----------|----------|----------|
| From                       | To      |  |                                  | Front  | Rear     | Markets* |          |
|                            |         |  |                                  | Front  | Rear     | Front    | Rear     |
| <b>XK: 2000 MY onwards</b> |         |  |                                  |  |          |          |          |
| A00116                     | Current | <b>Normal:</b> speeds above 160 km/h – 100 mile/h  | 17 inch                          | 2.2 (32)   | 2.3 (34) | 2.2 (32) | 2.3 (34) |
|                            |         |  | 18 inch                          | 2.2 (32)   | 2.3 (34) | 2.2 (32) | 2.3 (34) |
|                            |         |  | 19 inch                          | 2.2 (32)   | 2.3 (34) | 2.2 (32) | 2.3 (34) |
|                            |         |  | 20 inch                          | 2.2 (32)   | 2.1 (30) | 2.2 (32) | 2.1 (30) |
|                            |         | <b>Comfort:</b> speeds below 160 km/h – 100 mile/h | 17 inch                          | 1.8 (26)   | 1.9 (28) | 2.2 (32) | 2.3 (34) |
|                            |         |  | 18 inch                          | 1.8 (26)   | 1.9 (28) | 2.2 (32) | 2.3 (34) |
|                            |         |  | 19 inch                          | 2.2 (32)   | 2.3 (34) | 2.2 (32) | 2.3 (34) |
|                            |         |  | 20 inch                          | 2.2 (32)   | 2.1 (30) | 2.2 (32) | 2.1 (30) |
|                            |         | Max Speed 80 km/h – 50 mile/h                      | 3.5 x 18 and 4 x 18 inch (spare) | 4.2 (60)   | 4.2 (60) | –        | –        |

\*Up to 2004 MY – Argentina, Brazil, Chile, Dominican Republic, Morocco, Panama, Philippines, Russia, Sri Lanka.

\*From 2004 MY – Argentina, Brazil, Bulgaria, Chile, Dominican Republic, Panama, Philippines, Russia, Sri Lanka.

**Note:** As tire pressures can vary in individual markets always consult the vehicle tire label for further information.

**Notes**

| VIN                                 |                               | Vehicle Speed and Loading                          | Tire Size | Tire Pressures cold – bar (lbf/in <sup>2</sup> ) |          |          |          |
|-------------------------------------|-------------------------------|--|-----------|--|----------|----------|----------|
| From                                | To                            |  |           | Front  | Rear     | Markets* |          |
|                                     |                               |  |           | Front  | Rear     | Front    | Rear     |
| <b>S-TYPE: 1999.25 MY</b>           |                               |  |           |  |          |          |          |
| L00600                              | L31320                        | <b>Normal:</b> speeds above 160 km/h – 100 mile/h  | 16 inch   | 2.2 (32)   | 2.3 (34) |          |          |
|                                     |                               |  | 17 inch   | 2.2 (32)   | 2.3 (34) |          |          |
|                                     |                               | <b>Comfort:</b> speeds below 160 km/h – 100 mile/h | 16 inch   | 1.8 (26)   | 1.9 (28) |          |          |
|                                     |                               |  | 17 inch   | 1.8 (26)   | 1.9 (28) |          |          |
|                                     | Max Speed 80 km/h – 50 mile/h | 4 x 16 inch (spare)                                | 4.2 (60)  | 4.2 (60)   |          |          |          |
| <b>S-TYPE: 2000 up to 2002.5 MY</b> |                               |  |           |  |          |          |          |
| L31321                              | M45254                        | <b>Normal:</b> speeds above 160 km/h – 100 mile/h  | 16 inch   | 2.2 (32)   | 2.3 (34) | –        | –        |
|                                     |                               |  | 17 inch   | 2.2 (32)   | 2.3 (34) | 2.2 (32) | 2.3 (34) |
|                                     |                               |  | 18 inch   | 2.2 (32)   | 2.3 (34) | 2.2 (32) | 2.3 (34) |
|                                     |                               | <b>Comfort:</b> speeds below 160 km/h – 100 mile/h | 16 inch   | 1.8 (26)   | 1.9 (28) | –        | –        |
|                                     |                               |  | 17 inch   | 1.8 (26)   | 1.9 (28) | 2.2 (32) | 2.3 (34) |
|                                     |                               |  | 18 inch   | 1.8 (26)   | 1.9 (28) | 2.2 (32) | 2.3 (34) |
|                                     | Max Speed 80 km/h – 50 mile/h | 4 x 16 inch (spare)                                | 4.2 (60)  | 4.2 (60)   | –        | –        |          |

\* Argentina, Brazil, Chile, Dominican Republic, Morocco, Panama, Philippines, Russia, Sri Lanka.

**Note:** As tire pressures can vary in individual markets always consult the vehicle tire label for further information.

**Notes**

| VIN                                      |                     | Vehicle Speed and Loading                          | Tire Size                           | Tire Pressures – cold bar (lbf/in <sup>2</sup> ) |          | Notes |
|--|---------------------|--|-------------------------------------|--|----------|-------|
| From                                     | To                  |  |                                     | Front  | Rear     |       |
| <b>S-TYPE: 2002.5 MY up to 2004.5 MY</b> |                     |  |                                     |  |          |       |
| M45255                                   | N13088              | <b>Excluding “R” Model</b>                         |                                     |  |          |       |
|  |                     | <b>Up to 4 People</b><br>(any speed)               | 205/60R 16                          | 2.2 (32)   | 2.2 (32) |       |
|  |                     |  | 225/55R 16                          | 2.1 (31)   | 2.1 (31) |       |
|  |                     |  | 235/50R 17                          | 2.1 (31)   | 2.1 (31) |       |
|  |                     |  | 245/40R 18                          | 2.1 (31)   | 2.1 (31) |       |
|  |                     | <b>Over 4 People</b><br>(any speed)                | 205/60R 16                          | 2.7 (39)   | 2.8 (41) |       |
|  |                     |  | 225/55R 16                          | 2.6 (38)   | 2.6 (38) |       |
|  |                     |  | 235/50R 17                          | 2.6 (38)   | 2.6 (38) |       |
|  |                     |  | 245/40R 18                          | 2.4 (35)   | 2.4 (35) |       |
|  |                     | Max Speed 80 km/h – 50 mile/h                      | T145/80R 16 and T115/85R 18 (spare) | 4.2 (60)   | 4.2 (60) |       |
|  |                     | <b>“R” Model only</b>                              |                                     |  |          |       |
|  |                     | <b>Normal:</b> speeds above 160 km/h – 100 mile/h  | 245/40R 18                          | 2.5 (36)   | –        |       |
|  |                     |  | 275/35R 18                          | –  | 2.8 (40) |       |
|  |                     | <b>Comfort:</b> speeds below 160 km/h – 100 mile/h | 245/40R 18                          | 1.9 (28)   | –        |       |
| 275/35R 18                               | –                   |  | 2.2 (32)                            |  |          |       |
| Max Speed 80 km/h – 50 mile/h            | T115/85R 18 (spare) | 4.2 (60)   | 4.2 (60)                            |  |          |       |

**Note:** As tire pressures can vary in individual markets always consult the vehicle tire label for further information.

| VIN                             |                         | Vehicle Speed and Loading            | Tire Size                | Tire Pressures – cold bar (lbf/in <sup>2</sup> ) |          | Notes |
|---------------------------------|-------------------------|--------------------------------------|--------------------------|--|----------|-------|
| From                            | To                      |                                      |                          | Front  | Rear     |       |
| <b>S-TYPE: 2004.5 MY onward</b> |                         |                                      |                          |  |          |       |
| N13089                          | Current                 | <b>Excluding “R” Model</b>           |                          |  |          |       |
|                                 |                         | <b>Up to 4 People</b><br>(any speed) | 205/60R 16               | 2.2 (32)   | 2.2 (32) |       |
|                                 |                         |                                      | 235/50R 17 96Y, 96W, 96H | 2.1 (31)   | 2.1 (31) |       |
|                                 |                         |                                      | 245/40R 18 97Y, 93H      | 2.1 (31)   | 2.1 (31) |       |
|                                 |                         | <b>Over 4 People</b><br>(any speed)  | 205/60R 16               | 2.6 (38)   | 2.9 (42) |       |
|                                 |                         |                                      | 235/50R 17 96Y, 96W      | 2.6 (38)   | 2.6 (38) |       |
|                                 |                         |                                      | 235/50R 17 96H           | 2.2 (32)   | 2.2 (32) |       |
|                                 |                         |                                      | 245/40R 18 97Y           | 2.6 (38)   | 2.6 (38) |       |
|                                 |                         |                                      | 245/40R 18 93H           | 2.4 (35)   | 2.4 (35) |       |
|                                 |                         | Max Speed 80 km/h – 50 mile/h        | T145/80R 16 (spare)      | 4.2 (60)   | 4.2 (60) |       |
|                                 |                         |                                      | T115/85R 18 96M (spare)  | 4.2 (60)   | 4.2 (60) |       |
|                                 |                         | <b>“R” Model only</b>                |                          |  |          |       |
|                                 |                         | Above 160 km/h – 100 mile/h          | 245/40 ZR 18             | 2.8 (40)   | –        |       |
|                                 |                         |                                      | 275/35 ZR 18             | –  | 2.8 (40) |       |
|                                 |                         | Below 160 km/h – 100 mile/h          | 245/40 ZR 18             | 2.1 (30)   | –        |       |
|                                 |                         |                                      | 275/35 ZR 18             | –  | 2.2 (32) |       |
| Max Speed 80 km/h – 50 mile/h   | T115/85R 18 96M (spare) | 4.2 (60)                             | 4.2 (60)                 |  |          |       |

**Note:** As tire pressures can vary in individual markets always consult the vehicle tire label for further information.

| VIN   |         | Vehicle Speed and Loading                          | Tire Size           | Tire Pressures – cold bar (lbf/in <sup>2</sup> ) |          | Notes |
|---|---------|--|---------------------|--|----------|-------|
| From  | To      |  |                     | Front  | Rear     |       |
| <b>X-TYPE: 2001.5 MY onwards (continued over)</b> |         |  |                     |  |          |       |
| C00344  | Current | <b>2.5 and 3.0 liter only</b>                      |                     |  |          |       |
|   |         | <b>Normal:</b> speeds above 160 km/h – 100 mile/h  | 16 inch             | 2.6 (38)   | 2.4 (35) |       |
|   |         |  | 17 inch 91Y, 91H    | 2.6 (38)   | 2.4 (35) |       |
|   |         |  | 17 inch 94W         | 2.6 (38)   | 2.5 (36) |       |
|   |         |  | 18 inch             | 2.8 (40)   | 2.4 (35) |       |
|   |         | <b>Comfort:</b> speeds below 160 km/h – 100 mile/h | 16 inch             | 2.2 (32)   | 2.2 (32) |       |
|   |         |  | 17 inch 91Y, 91H    | 2.1 (30)   | 2.1 (30) |       |
|   |         |  | 17 inch 94W         | 2.3 (34)   | 2.3 (34) |       |
|   |         |  | 18 inch             | 2.5 (36)   | 2.3 (34) |       |
|   |         | Max Speed 80 km/h – 50 mile/h                      | 4 x 16 inch (spare) | 4.2 (60)   | 4.2 (60) |       |

**Note:** As tire pressures can vary in individual markets always consult the vehicle tire label for further information.

| VIN  |         | Vehicle Speed<br>and Loading                          | Tire Size           | Tire Pressures – cold<br>bar (lbf/in <sup>2</sup> ) |          | <u>Notes</u> |
|--|---------|---|---------------------|---|----------|--------------|
| From   | To      |   |                     | Front   | Rear     |              |
| <b>X-TYPE: 2001.5 MY onwards (continued)</b> |         |   |                     |   |          |              |
| C00344                                       | Current | <b>2.0 liter gasoline only</b>                        |                     |   |          |              |
|  |         | <b>Normal:</b> speeds above<br>160 km/h – 100 mile/h  | 16 inch             | 2.4 (35)  | 2.2 (32) |              |
|  |         |   | 17 inch             | 2.5 (36)  | 2.3 (34) |              |
|  |         |   | 18 inch             | 2.6 (38)  | 2.4 (35) |              |
|  |         | <b>Comfort:</b> speeds below<br>160 km/h – 100 mile/h | 16 inch             | 2.1 (30)  | 2.1 (30) |              |
|  |         |   | 17 inch             | 2.3 (34)  | 2.3 (34) |              |
|  |         |   | 18 inch             | 2.3 (34)  | 2.2 (32) |              |
|  |         | Max Speed 80 km/h – 50 mile/h                         | 4 x 16 inch (spare) | 4.2 (60)  | 4.2 (60) |              |

**Note:** As tire pressures can vary in individual markets always consult the vehicle tire label for further information.

| VIN  |         | Vehicle Speed and Loading                   | Tire Size           | Tire Pressures – cold bar (lbf/in <sup>2</sup> ) |          | Notes |
|--|---------|---|---------------------|--|----------|-------|
| From   | To      |   |                     | Front  | Rear     |       |
| <b>X-TYPE: 2001.5 MY onwards (continued)</b> |         |   |                     |  |          |       |
| C00344                                       | Current | <b>2.0 liter diesel only</b>                |                     |  |          |       |
|  |         | Normal: speeds above 160 km/h – 100 mile/h  | 16 inch             | 2.4 (35)   | 2.2 (32) |       |
|  |         |   | 17 inch 91Y         | 2.5 (36)   | 2.3 (34) |       |
|  |         |   | 17 inch 94W         | 2.6 (38)   | 2.5 (36) |       |
|  |         |   | 18 inch             | 2.6 (38)   | 2.4 (35) |       |
|  |         | Comfort: speeds below 160 km/h – 100 mile/h | 16 inch             | 2.2 (32)   | 2.1 (30) |       |
|  |         |   | 17 inch 91Y         | 2.2 (32)   | 2.1 (30) |       |
|  |         |   | 17 inch 94W         | 2.3 (34)   | 2.3 (34) |       |
|  |         |   | 18 inch             | 2.3 (34)   | 2.2 (32) |       |
|  |         | Max Speed 80 km/h – 50 mile/h               | 4 x 16 inch (spare) | 4.2 (60)   | 4.2 (60) |       |

**Note:** As tire pressures can vary in individual markets always consult the vehicle tire label for further information.

| Model and Model Year  | VIN    |         | Tire Size  | Tire Pressures – cold bar (lbf/in <sup>2</sup> ) |          | Notes |
|---|--------|---------|------------|--|----------|-------|
|   | From   | To      |            | Front  | Rear     |       |
| <b>XJ: 2003.5 MY onwards</b>  | G00442 | Current |            |  |          |       |
| Winter tires with the same dimensions as Original Equipment (OE) tires use the same tire pressures as the OE tires. Refer to “Tire Pressures (Original Equipment)” section. |        |         |            |  |          |       |
| <b>XK: 1997 MY onwards</b>  | 001246 | Current |            |  |          |       |
| Winter tires with the same dimensions as Original Equipment (OE) tires use the same tire pressures as the OE tires. Refer to “Tire Pressures (Original Equipment)” section. |        |         |            |  |          |       |
| <b>S-TYPE: 2002.5 MY onward</b>   | M45255 | Current |            |  |          |       |
| <b>Excluding “R” Model</b>  |        |         |            |  |          |       |
| Winter tires with the same dimensions as Original Equipment (OE) tires use the same tire pressures as the OE tires. Refer to “Tire Pressures (Original Equipment)” section. |        |         |            |  |          |       |
| <b>“R” Model only</b>   |        |         |            |  |          |       |
| <b>Normal:</b> speeds above 160 km/h – 100 mile/h   |        |         | 8" x 18"   | 2.6 (38)   | –        |       |
|   |        |         | 9.5" x 18" | –  | 2.9 (42) |       |
| <b>Comfort:</b> speeds below 160 km/h – 100 mile/h  |        |         | 8" x 18"   | 2.1 (30)   | –        |       |
|   |        |         | 9.5" x 18" | –  | 2.3 (34) |       |
| <b>X-TYPE: 2001.5 MY onwards</b>  | C00344 | Current |            |  |          |       |
| Winter tires with the same dimensions as Original Equipment (OE) tires use the same tire pressures as the OE tires. Refer to “Tire Pressures (Original Equipment)” section. |        |         |            |  |          |       |
| <b>Note:</b> The vehicle speed should be restricted to 210 km/h (130 mile/h) when “H” rated tires are fitted, or 240 km/h (149 mile/h) when “V” rated tires are fitted.     |        |         |            |  |          |       |



| VIN   |        | Vehicle/Suspension   | Market | Showroom<br>mm (inch) |             | Curb<br>mm (inch) |             | Notes |
|---|--------|----------------------|--------|-----------------------|-------------|-------------------|-------------|-------|
| From  | To     |                      |        | Front                 | Rear        | Front             | Rear        |       |
| <b>X): 1998 up to 2003.5 MY (SWB and LWB)</b> |        |                      |        |                       |             |                   |             |       |
| 812317  | F59525 | Comfort Suspension   | All    | 390 (15.35)           | 384 (15.11) | 389 (15.31)       | 373 (14.68) |       |
|   |        | Sport Suspension     | All    | 389 (15.31)           | 381 (15.00) | 388 (15.27)       | 372 (14.64) |       |
|   |        | XJR                  | NAS    | 389 (15.31)           | 382 (15.03) | 388 (15.27)       | 372 (14.64) |       |
|   |        | XJR                  | ROW    | 367 (14.44)           | 365 (14.37) | 366 (14.40)       | 358 (14.09) |       |
|   |        | Supercharged Super 8 | All    | 389 (15.31)           | 382 (15.03) | 388 (15.27)       | 372 (14.64) |       |

- Ride height is measured from the center of the wheel to the apex of the wheel arch, through the wheel center line.
- Showroom = with all fluids at full and 9 liters (9.5 US Quarts) of fuel.
- Curb = with all fluids at full and a full tank of fuel.
- All figures quoted assume  $\pm 15$  mm (0.59 inch) anticipated build variance and condition.

| VIN  |         | Vehicle/Suspension | Market | Standard Ride Height<br>mm |      | <u>Notes</u> |
|--|---------|--------------------|--------|----------------------------|------|--------------|
| From                                       | To      |                    |        | Front                      | Rear |              |
| <b>XJ: 2003.5 MY onwards (SWB and LWB)</b> |         |                    |        |                            |      |              |
| G00442                                     | Current |                    | All    | 386                        | 373  |              |

- Ride height is measured from the center of the wheel to the apex of the wheel arch, through the wheel center line.
- Ride heights quoted are as attained after the vehicle has been leveled using the WDS Pre-Geometry function. Once leveled, the figures quoted assume  $\pm 15$  mm anticipated build variance and condition.
- Ride height calibration can only be performed using WDS.
- Due to WDS calibration, metric figures are quoted only.

| VIN                        |         | Vehicle/Suspension | Market | Showroom<br>mm (inch) |             | Curb<br>mm (inch) |             | <u>Notes</u> |
|----------------------------|---------|--------------------|--------|-----------------------|-------------|-------------------|-------------|--------------|
| From                       | To      |                    |        | Front                 | Rear        | Front             | Rear        |              |
| <b>XK: 1997 MY onwards</b> |         |                    |        |                       |             |                   |             |              |
| 001246                     | Current | XK8                | All    | 401 (15.78)           | 416 (16.37) | 400 (15.74)       | 405 (15.94) |              |
|                            |         | XKR                | All    | 401 (15.78)           | 415 (16.33) | 400 (15.74)       | 405 (15.94) |              |

- Ride height is measured from the center of the wheel to the apex of the wheel arch, through the wheel center line.
- Showroom = with all fluids at full and 9 liters (9.5 US Quarts) of fuel.
- Curb = with all fluids at full and a full tank of fuel.
- All figures quoted assume  $\pm 15$  mm (0.59 inch) anticipated build variance and condition.

| VIN   |        | Vehicle/Suspension                | Market | Showroom<br>mm (inch) |             | Curb<br>mm (inch) |             | <u>Notes</u> |
|---|--------|-----------------------------------|--------|-----------------------|-------------|-------------------|-------------|--------------|
| From  | To     |                                   |        | Front                 | Rear        | Front             | Rear        |              |
| <b>S-TYPE: 1999.25 up to 2002.5 MY</b>  |        |                                   |        |                       |             |                   |             |              |
| L00600  | M45254 | V6 Manual – Non adaptive damping  | All    | 387 (15.23)           | 384 (15.11) | 385 (15.15)       | 378 (14.88) |              |
|   |        | V6 Manual – With adaptive damping | All    | 385 (15.15)           | 381 (15.00) | 384 (15.11)       | 375 (14.76) |              |
|   |        | V6 Auto – Non adaptive damping    | All    | 386 (15.19)           | 384 (15.11) | 384 (15.11)       | 378 (14.88) |              |
|   |        | V6 Auto – With adaptive damping   | All    | 385 (15.15)           | 381 (15.00) | 384 (15.11)       | 375 (14.76) |              |
|   |        | V8 Auto – Non adaptive damping    | All    | 386 (15.19)           | 384 (15.11) | 384 (15.11)       | 378 (14.88) |              |
|   |        | V8 Auto – With adaptive damping   | All    | 385 (15.15)           | 381 (15.00) | 383 (15.07)       | 375 (14.76) |              |
| <ul style="list-style-type: none"> <li>• Ride height is measured from the center of the wheel to the apex of the wheel arch, through the wheel center line.</li> <li>• Showroom = with all fluids at full and 9 liters (9.5 US Quarts) of fuel.</li> <li>• Curb = with all fluids at full and a full tank of fuel.</li> <li>• All figures quoted assume <math>\pm 15</math> mm (0.59 inch) anticipated build variance and condition.</li> </ul> |        |                                   |        |                       |             |                   |             |              |

| VIN                                      |        | Vehicle/Suspension                  | Market | Showroom<br>mm (inch) |             | Curb<br>mm (inch) |             | Notes |
|--|--------|-------------------------------------|--------|-----------------------|-------------|-------------------|-------------|-------|
| From                                     | To     |                                     |        | Front                 | Rear        | Front             | Rear        |       |
| <b>S-TYPE: 2002.5 MY up to 2004.5 MY</b> |        |                                     |        |                       |             |                   |             |       |
| M45255                                   | N13088 | V6 Manual – Non adaptive damping    | All    | 392 (15.43)           | 389 (15.31) | 390 (15.35)       | 382 (15.03) |       |
|  |        | V6 Manual – With adaptive damping   | All    | 389 (15.31)           | 384 (15.11) | 387 (15.23)       | 378 (14.88) |       |
|  |        | V6 Auto – Non adaptive damping      | All    | 392 (15.43)           | 389 (15.31) | 390 (15.35)       | 382 (15.03) |       |
|  |        | V6 Auto – With adaptive damping     | All    | 389 (15.31)           | 384 (15.11) | 387 (15.23)       | 378 (14.88) |       |
|  |        | V8 N/A Auto – Non adaptive damping  | All    | 390 (15.35)           | 389 (15.31) | 388 (15.27)       | 382 (15.03) |       |
|  |        | V8 N/A Auto – With adaptive damping | All    | 387 (15.23)           | 384 (15.11) | 386 (15.19)       | 378 (14.88) |       |
|  |        | V8 SC Auto – With adaptive damping  | All    | 387 (15.23)           | 384 (15.11) | 386 (15.19)       | 378 (14.88) |       |

- Showroom = with all fluids at full and 9 liters (9.5 US quarts) of fuel.
- Curb = with all fluids at full and a full tank of fuel.
- Ride height is measured from the center of the wheel to the apex of the wheel arch, through the wheel center line.
- All figures quoted assume  $\pm 15$  mm (0.59 inch) anticipated build variance and condition.

| VIN                              |         | Vehicle/Suspension             | Market | Showroom<br>mm (inch) |               | Curb<br>mm (inch) |             | <u>Notes</u> |
|----------------------------------|---------|--------------------------------|--------|-----------------------|---------------|-------------------|-------------|--------------|
| From                             | To      |                                |        | Front                 | Rear          | Front             | Rear        |              |
| <b>S-TYPE: 2004.5 MY onwards</b> |         |                                |        |                       |               |                   |             |              |
| N13089                           | Current | V6 Gasoline – Comfort          | All    | 390 (15.35)           | 388 (15.27)   | 388 (15.27)       | 383 (15.07) |              |
|                                  |         | V6 Gasoline – Sport            | All    | 387 (15.23)           | 383.5 (15.09) | 386 (15.19)       | 379 (14.92) |              |
|                                  |         | V8 Gasoline – Comfort          | All    | 389 (15.31)           | 388 (15.27)   | 387 (15.23)       | 382 (15.03) |              |
|                                  |         | V8 Gasoline – Sport            | All    | 386 (15.19)           | 383 (15.07)   | 385 (15.15)       | 379 (14.92) |              |
|                                  |         | V8 Gasoline – Supercharged “R” | All    | 382 (15.03)           | 379 (14.92)   | 381 (14.99)       | 375 (14.76) |              |
|                                  |         | V6 Diesel – Comfort            | All    | 387 (15.23)           | 383 (15.07)   | 386 (15.19)       | 382 (15.03) |              |
|                                  |         | V6 Diesel – Sport              | All    | 385 (15.15)           | 383 (15.07)   | 384 (15.11)       | 378 (14.88) |              |

- Showroom = with all fluids at full and 9 liters (9.5 US quarts) of fuel.
- Curb = with all fluids at full and a full tank of fuel.
- Ride height is measured from the center of the wheel to the apex of the wheel arch, through the wheel center line.
- All figures quoted assume  $\pm 15$  mm (0.59 inch) anticipated build variance and condition.

| VIN                                       |        | Vehicle/Suspension                     | Market | Showroom<br>mm (inch) |             | Curb<br>mm (inch) |             | <u>Notes</u> |
|---|--------|--|--------|-----------------------|-------------|-------------------|-------------|--------------|
| From                                      | To     |  |        | Front                 | Rear        | Front             | Rear        |              |
| <b>X-TYPE: 2001.5 MY up to 2004.25 MY</b> |        |  |        |                       |             |                   |             |              |
| C00344                                    | D55321 | Comfort Suspension (2.5 and 3.0 liter) | All    | 376 (14.80)           | 379 (14.92) | 374 (14.72)       | 372 (14.64) |              |
|   |        | Sport Suspension (2.5 and 3.0 liter)   | All    | 375 (14.76)           | 375 (14.76) | 373 (14.68)       | 369 (14.53) |              |
|   |        | Comfort Suspension (2.0 liter)         | All    | 379 (14.92)           | 382 (15.03) | 377 (14.84)       | 375 (14.76) |              |
|   |        | Sport Suspension (2.0 liter)           | All    | 378 (14.88)           | 380 (14.96) | 376 (14.80)       | 373 (14.68) |              |

- Ride height is measured from the center of the wheel to the apex of the wheel arch, through the wheel center line.
- Showroom = with all fluids at full and 9 liters (9.5 US quarts) of fuel.
- Curb = with all fluids at full and a full tank of fuel.
- All figures quoted assume  $\pm 15$  mm (0.59 inch) anticipated build variance and condition.

| VIN  |         | Vehicle/Suspension              | Market | Showroom<br>mm (inch) |             | Curb<br>mm (inch) |             | <u>Notes</u> |
|--|---------|---------------------------------|--------|-----------------------|-------------|-------------------|-------------|--------------|
| From                                       | To      |                                 |        | Front                 | Rear        | Front             | Rear        |              |
| <b>X-TYPE: Gasoline 2004.25 MY onwards</b> |         |                                 |        |                       |             |                   |             |              |
| D55322                                     | Current | AWD Comfort Suspension (Saloon) | All    | 372 (14.64)           | 377 (14.84) | 371 (14.60)       | 370 (14.56) |              |
|  |         | AWD Sport Suspension (Saloon)   | All    | 369 (14.52)           | 372 (14.64) | 368 (14.48)       | 366 (14.40) |              |
|  |         | FWD Comfort Suspension (Saloon) | All    | 372 (14.64)           | 380 (14.96) | 371 (14.60)       | 373 (14.68) |              |
|  |         | FWD Sport Suspension (Saloon)   | All    | 370 (14.56)           | 378 (14.88) | 370 (14.56)       | 371 (14.60) |              |
|  |         | AWD Comfort Suspension (Estate) | Eur    | 374 (14.72)           | 373 (14.68) | 373 (14.68)       | 366 (14.40) |              |
|  |         | AWD Sport Suspension (Estate)   | Eur    | 369 (14.52)           | 369 (14.52) | 368 (14.48)       | 363 (14.29) |              |
|  |         | FWD Comfort Suspension (Estate) | Eur    | 371 (14.60)           | 378 (14.88) | 370 (14.56)       | 371 (14.60) |              |
|  |         | FWD Sport Suspension (Estate)   | Eur    | 370 (14.56)           | 373 (14.68) | 369 (14.52)       | 367 (14.44) |              |

- Ride height is measured from the center of the wheel to the apex of the wheel arch, through the wheel center line.
- Showroom = with all fluids at full and 9 liters (9.5 US quarts) of fuel.
- Curb = with all fluids at full and a full tank of fuel.
- All figures quoted assume  $\pm 15$  mm (0.59 inch) anticipated build variance and condition.



| VIN                                      |         | Vehicle/Suspension | Market | Showroom<br>mm (inch) |             | Curb<br>mm (inch) |             | <u>Notes</u> |
|--|---------|--------------------|--------|-----------------------|-------------|-------------------|-------------|--------------|
| From                                     | To      |                    |        | Front                 | Rear        | Front             | Rear        |              |
| <b>X-TYPE: Diesel 2004.25 MY onwards</b> |         |                    |        |                       |             |                   |             |              |
| D55322                                   | Current | Comfort Saloon     | Eur    | 372 (14.64)           | 374 (14.72) | 371 (14.60)       | 367 (14.44) |              |
|  |         | Sport Saloon       | Eur    | 370 (14.56)           | 372 (14.64) | 370 (14.56)       | 365 (14.37) |              |
|  |         | Comfort Estate     | Eur    | 368 (14.48)           | 372 (14.64) | 367 (14.44)       | 365 (14.37) |              |
|  |         | Sport Estate       | Eur    | 369 (14.52)           | 369 (14.52) | 368 (14.48)       | 363 (14.29) |              |

- Ride height is measured from the center of the wheel to the apex of the wheel arch, through the wheel center line.
- Showroom = with all fluids at full and 9 liters (9.5 US quarts) of fuel.
- Curb = with all fluids at full and a full tank of fuel.
- All figures quoted assume  $\pm 15$  mm (0.59 inch) anticipated build variance and condition.

| XJ – Camber  |                 |           |          |            |          |                       |          | <u>Notes</u> |
|--|-----------------|-----------|----------|------------|----------|-----------------------|----------|--------------|
| 1998 up to 2003.5 MY<br>VIN – 812317 to F59525       |                 | Camber    |          |            |          |                       |          |              |
|  |                 | Left-Hand |          | Right-Hand |          | Balance (RH minus LH) |          |              |
|  |                 | Min       | Max      | Min        | Max      | Min                   | Max      |              |
| <b>XJR Excluding NAS, and German Daimler Super-8</b> |                 |           |          |            |          |                       |          |              |
| All Right-Hand Drive and Japan                       | Degrees/Minutes | - 1° 28'  | - 0° 28' | - 1° 13'   | - 0° 13' | - 0° 45'              | + 1° 15' |              |
|  | Decimal Degrees | - 1.47°   | - 0.47°  | - 1.22°    | - 0.22°  | - 0.75°               | + 1.25°  |              |
| Rest of World  | Degrees/Minutes | - 1° 13'  | - 0° 13' | - 1° 28'   | - 0° 28' | - 1° 15'              | + 0° 45' |              |
|  | Decimal Degrees | - 1.22°   | - 0.22°  | - 1.47°    | - 0.47°  | - 1.25°               | + 0.75°  |              |
| <b>XJR NAS, and Comfort/Sports/Daimler Super-8</b>   |                 |           |          |            |          |                       |          |              |
| All Right-Hand Drive and Japan                       | Degrees/Minutes | - 1° 02'  | - 0° 02' | - 0° 47'   | + 0° 13' | - 0° 45'              | + 1° 15' |              |
|  | Decimal Degrees | - 1.03°   | - 0.03°  | - 0.78°    | + 0.22°  | - 0.75°               | + 1.25°  |              |
| USA, Canada, Mexico,<br>Dominican Republic (NAS)     | Degrees/Minutes | - 0° 32'  | + 0° 28' | - 1° 02'   | - 0° 02' | - 1° 30'              | + 0° 30' |              |
|  | Decimal Degrees | - 0.53°   | + 0.47°  | - 1.03°    | - 0.03°  | - 1.50°               | + 0.50°  |              |
| Rest of World  | Degrees/Minutes | - 0° 47'  | + 0° 13' | - 1° 02'   | - 0° 02' | - 1° 15'              | + 0° 45' |              |
|  | Decimal Degrees | - 0.78°   | + 0.22°  | - 1.03°    | - 0.03°  | - 1.25°               | + 0.75°  |              |

- All above figures are at “showroom” height – See “Vehicle Ride Heights” section.
- Tires must be inflated to normal pressure – See “Tire Pressures” section.

| XJ – Camber                                      |                 |           |          |            |          |                       |          |
|--|-----------------|-----------|----------|------------|----------|-----------------------|----------|
| 2003.5 MY onwards<br>VIN – G00442 to Current     |                 | Camber    |          |            |          |                       |          |
|  |                 | Left-Hand |          | Right-Hand |          | Balance (RH minus LH) |          |
|  |                 | Min       | Max      | Min        | Max      | Min                   | Max      |
| All Right-Hand Drive and Japan                   | Degrees/Minutes | - 1° 12'  | - 0° 12' | - 0° 48'   | + 0° 12' | - 0° 18'              | + 1° 06' |
|  | Decimal Degrees | - 1.20°   | - 0.20°  | - 0.80°    | + 0.20°  | - 0.30°               | + 1.10°  |
| USA, Canada, Mexico,<br>Dominican Republic (NAS) | Degrees/Minutes | - 0° 45'  | + 0° 15' | - 1° 15'   | - 0° 15' | - 1° 12'              | + 0° 12' |
|  | Decimal Degrees | - 0.75°   | + 0.25°  | - 1.25°    | - 0.25°  | - 1.20°               | + 0.20°  |
| Rest of World                                    | Degrees/Minutes | - 0° 54'  | + 0° 06' | - 1° 06'   | - 0° 06' | - 0° 54'              | + 0° 30' |
|  | Decimal Degrees | - 0.90°   | + 0.10°  | - 1.10°    | - 0.10°  | - 0.90°               | + 0.50°  |

Notes

- All above figures are at “standard” height – See “Vehicle Ride Heights” section.
- Tires must be inflated to normal pressure – See “Tire Pressures” section.

| XJ – Castor                                      |                 |           |          |            |          |                       |          |
|--|-----------------|-----------|----------|------------|----------|-----------------------|----------|
| 1998 up to 2003.5 MY<br>VIN – 812317 to F59525   |                 | Castor    |          |            |          |                       |          |
|  |                 | Left-Hand |          | Right-Hand |          | Balance (RH minus LH) |          |
|  |                 | Min       | Max      | Min        | Max      | Min                   | Max      |
| XJR Excluding NAS, and German Daimler Super-8    |                 |           |          |            |          |                       |          |
| All Right-Hand Drive and Japan                   | Degrees/Minutes | + 4° 00'  | + 8° 00' | + 4° 00'   | + 8° 00' | - 1° 12'              | + 1° 12' |
|  | Decimal Degrees | + 4.00°   | + 8.00°  | + 4.00°    | + 8.00°  | - 1.20°               | + 1.20°  |
| Rest of World                                    | Degrees/Minutes | + 4° 00'  | + 8° 00' | + 4° 00'   | + 8° 00' | - 1° 12'              | + 1° 12' |
|  | Decimal Degrees | + 4.00°   | + 8.00°  | + 4.00°    | + 8.00°  | - 1.20°               | + 1.20°  |
| XJR NAS, and Comfort/Sports/Daimler Super-8      |                 |           |          |            |          |                       |          |
| All Right-Hand Drive and Japan                   | Degrees/Minutes | + 4° 00'  | + 8° 00' | + 4° 00'   | + 8° 00' | - 1° 12'              | + 1° 12' |
|  | Decimal Degrees | + 4.00°   | + 8.00°  | + 4.00°    | + 8.00°  | - 1.20°               | + 1.20°  |
| USA, Canada, Mexico,<br>Dominican Republic (NAS) | Degrees/Minutes | + 4° 00'  | + 8° 00' | + 4° 00'   | + 8° 00' | - 1° 12'              | + 1° 12' |
|  | Decimal Degrees | + 4.00°   | + 8.00°  | + 4.00°    | + 8.00°  | - 1.20°               | + 1.20°  |
| Rest of World                                    | Degrees/Minutes | + 4° 00'  | + 8° 00' | + 4° 00'   | + 8° 00' | - 1° 12'              | + 1° 12' |
|  | Decimal Degrees | + 4.00°   | + 8.00°  | + 4.00°    | + 8.00°  | - 1.20°               | + 1.20°  |

Notes

- All above figures are at “showroom” height – See “Vehicle Ride Heights” section.
- Tires must be inflated to normal pressure – See “Tire Pressures” section.

## XJ – Castor

Notes

| 2003.5 MY onwards<br>VIN – G00442 to Current     |                 | Castor    |          |            |          |                       |          |
|--|-----------------|-----------|----------|------------|----------|-----------------------|----------|
|  |                 | Left-Hand |          | Right-Hand |          | Balance (RH minus LH) |          |
|  |                 | Min       | Max      | Min        | Max      | Min                   | Max      |
| All Right-Hand Drive and Japan                   | Degrees/Minutes | + 6° 52'  | + 8° 16' | + 6° 20'   | + 7° 44' | - 1° 14'              | + 0° 10' |
|  | Decimal Degrees | + 6.87°   | + 8.27°  | + 6.34°    | + 7.74°  | - 1.24°               | + 0.16°  |
| USA, Canada, Mexico,<br>Dominican Republic (NAS) | Degrees/Minutes | + 6° 47'  | + 8° 11' | + 6° 47'   | + 8° 11' | - 0° 42'              | + 0° 42' |
|  | Decimal Degrees | + 6.78°   | + 8.18°  | + 6.78°    | + 8.18°  | - 0.70°               | + 0.70°  |
| Rest of World                                    | Degrees/Minutes | + 6° 47'  | + 8° 11' | + 6° 47'   | + 8° 11' | - 0° 42'              | + 0° 42' |
|  | Decimal Degrees | + 6.78°   | + 8.18°  | + 6.78°    | + 8.18°  | - 0.70°               | + 0.70°  |

- All above figures are at “standard” height – See “Vehicle Ride Heights” section.
- Tires must be inflated to normal pressure – See “Tire Pressures” section.

Notes

| XJ – Toe   |                 |           |          |
|--|-----------------|-----------|----------|
| 1998 up to 2003.5 MY<br>VIN – 812317 to F59525       |                 | Total Toe |          |
|  |                 | Min       | Max      |
| <b>XJR Excluding NAS, and German Daimler Super-8</b> |                 |           |          |
| All Right-Hand Drive and Japan                       | Degrees/Minutes | + 0° 05'  | + 0° 25' |
|  | Decimal Degrees | + 0.08°   | + 0.42°  |
| Rest of World  | Degrees/Minutes | + 0° 05'  | + 0° 25' |
|  | Decimal Degrees | + 0.08°   | + 0.42°  |
| <b>XJR NAS, and Comfort/Sports/Daimler Super-8</b>   |                 |           |          |
| All Right-Hand Drive and Japan                       | Degrees/Minutes | + 0° 05'  | + 0° 25' |
|  | Decimal Degrees | + 0.08°   | + 0.42°  |
| USA, Canada, Mexico,<br>Dominican Republic (NAS)     | Degrees/Minutes | + 0° 05'  | + 0° 25' |
|  | Decimal Degrees | + 0.08°   | + 0.42°  |
| Rest of World  | Degrees/Minutes | + 0° 05'  | + 0° 25' |
|  | Decimal Degrees | + 0.08°   | + 0.42°  |

- All above figures are at “showroom” height – See “Vehicle Ride Heights” section.
- Tires must be inflated to normal pressure – See “Tire Pressures” section.

| XJ – Toe   |                 |           |          |
|--|-----------------|-----------|----------|
| 2003.5 MY onwards<br>VIN – G00442 to Current     |                 | Total Toe |          |
|  |                 | Min       | Max      |
| All Right-Hand Drive and Japan                   | Degrees/Minutes | - 0° 26'  | - 0° 06' |
|  | Decimal Degrees | - 0.43°   | - 0.10°  |
| USA, Canada, Mexico,<br>Dominican Republic (NAS) | Degrees/Minutes | - 0° 26'  | - 0° 06' |
|  | Decimal Degrees | - 0.43°   | - 0.10°  |
| Rest of World                                    | Degrees/Minutes | - 0° 26'  | - 0° 06' |
|  | Decimal Degrees | - 0.43°   | - 0.10°  |

Notes

- All above figures are at “standard” height – See “Vehicle Ride Heights” section.
- Tires must be inflated to normal pressure – See “Tire Pressures” section.

| XK – Camber                                      |                 |           |          |            |          |                       |          |
|--|-----------------|-----------|----------|------------|----------|-----------------------|----------|
| 1997 MY onwards<br>VIN – 001246 to Current       |                 | Camber    |          |            |          |                       |          |
|  |                 | Left-Hand |          | Right-Hand |          | Balance (RH minus LH) |          |
|  |                 | Min       | Max      | Min        | Max      | Min                   | Max      |
| All Right-Hand Drive and Japan                   | Degrees/Minutes | - 1° 17'  | - 0° 17' | - 0° 45'   | + 0° 14' | - 0° 11'              | + 1° 13' |
|  | Decimal Degrees | - 1.28°   | - 0.28°  | - 0.76°    | + 0.24°  | - 0.19°               | + 1.21°  |
| USA, Canada, Mexico,<br>Dominican Republic (NAS) | Degrees/Minutes | - 1° 11'  | - 0° 11' | - 1° 18'   | - 0° 18' | - 0° 50'              | + 0° 34' |
|  | Decimal Degrees | - 1.18°   | - 0.18°  | - 1.30°    | - 0.30°  | - 0.83°               | + 0.57°  |
| Rest of World                                    | Degrees/Minutes | - 1° 14'  | - 0° 14' | - 1° 17'   | - 0° 17' | - 0° 44'              | + 0° 40' |
|  | Decimal Degrees | - 1.24°   | - 0.24°  | - 1.28°    | - 0.28°  | - 0.74°               | + 0.66°  |

Notes

- All above figures are at “showroom” height – See “Vehicle Ride Heights” section.
- Tires must be inflated to normal pressure – See “Tire Pressures” section.



| XK – Castor                                      |                 |           |          |            |          |                       |          |
|--|-----------------|-----------|----------|------------|----------|-----------------------|----------|
| 1997 MY onwards<br>VIN – 001246 to Current       |                 | Castor    |          |            |          |                       |          |
|  |                 | Left-Hand |          | Right-Hand |          | Balance (RH minus LH) |          |
|  |                 | Min       | Max      | Min        | Max      | Min                   | Max      |
| All Right-Hand Drive and Japan                   | Degrees/Minutes | + 6° 28'  | + 7° 52' | + 6° 20'   | + 7° 44' | - 0° 50'              | + 0° 34' |
|  | Decimal Degrees | + 6.47°   | + 7.87°  | + 6.33°    | + 7.73°  | - 0.84°               | + 0.57°  |
| USA, Canada, Mexico,<br>Dominican Republic (NAS) | Degrees/Minutes | + 5° 52'  | + 7° 16' | + 6° 38'   | + 8° 02' | + 0° 04'              | + 1° 28' |
|  | Decimal Degrees | + 5.87°   | + 7.27°  | + 6.64°    | + 8.04°  | + 0.06°               | + 1.46°  |
| Rest of World                                    | Degrees/Minutes | + 6° 15'  | + 7° 39' | + 6° 28'   | + 7° 52' | - 0° 29'              | + 0° 55' |
|  | Decimal Degrees | + 6.25°   | + 7.65°  | + 6.47°    | + 7.87°  | - 0.49°               | + 0.91°  |

Notes

- All above figures are at “showroom” height – See “Vehicle Ride Heights” section.
- Tires must be inflated to normal pressure – See “Tire Pressures” section.

Notes

| XK – Toe   |                 |           |          |
|--|-----------------|-----------|----------|
| 1997 MY onwards<br>VIN – 001246 to Current       |                 | Total Toe |          |
|  |                 | Min       | Max      |
| All Right-Hand Drive and Japan                   | Degrees/Minutes | + 0° 05'  | + 0° 25' |
|  | Decimal Degrees | + 0.08°   | + 0.42°  |
| USA, Canada, Mexico,<br>Dominican Republic (NAS) | Degrees/Minutes | + 0° 05'  | + 0° 25' |
|  | Decimal Degrees | + 0.08°   | + 0.42°  |
| Rest of World                                    | Degrees/Minutes | + 0° 05'  | + 0° 25' |
|  | Decimal Degrees | + 0.08°   | + 0.42°  |

- All above figures are at “showroom” height – See “Vehicle Ride Heights” section.
- Tires must be inflated to normal pressure – See “Tire Pressures” section.

| S-TYPE – Camber                                      |                 |           |          |            |          |                       |          | Notes |
|--|-----------------|-----------|----------|------------|----------|-----------------------|----------|-------|
| 1999.25 up to 2002.5 MY<br>VIN – L00600 to M45254    |                 | Camber    |          |            |          |                       |          |       |
|  |                 | Left-Hand |          | Right-Hand |          | Balance (RH minus LH) |          |       |
|  |                 | Min       | Max      | Min        | Max      | Min                   | Max      |       |
| All Right-Hand Drive and Japan                       | Degrees/Minutes | - 0° 45'  | + 0° 15' | - 0° 33'   | + 0° 27' | - 0° 30'              | + 0° 54' |       |
|  | Decimal Degrees | - 0.75°   | + 0.25°  | - 0.55°    | + 0.45°  | - 0.50°               | + 0.90°  |       |
| USA, Canada, Mexico,<br>Dominican Republic (NAS)     | Degrees/Minutes | - 0° 30'  | + 0° 30' | - 1° 06'   | - 0° 06' | - 1° 18'              | + 0° 06' |       |
|  | Decimal Degrees | - 0.50°   | + 0.50°  | - 1.10°    | - 0.10°  | - 1.30°               | + 0.10°  |       |
| Rest of World  | Degrees/Minutes | - 0° 33'  | + 0° 27' | - 0° 45'   | + 0° 15' | - 0° 54'              | + 0° 30' |       |
|  | Decimal Degrees | - 0.55°   | + 0.45°  | - 0.75°    | + 0.25°  | - 0.90°               | + 0.50°  |       |
| <b>2002.5 MY onwards<br/>VIN – M45255 to Current</b> |                 |           |          |            |          |                       |          |       |
| All Right-Hand Drive and Japan                       | Degrees/Minutes | - 1° 06'  | - 0° 06' | - 0° 42'   | + 0° 18' | - 0° 18'              | + 1° 06' |       |
|  | Decimal Degrees | - 1.10°   | - 0.10°  | - 0.70°    | + 0.30°  | - 0.30°               | + 1.10°  |       |
| USA, Canada, Mexico,<br>Dominican Republic (NAS)     | Degrees/Minutes | - 0° 42'  | + 0° 18' | - 1° 03'   | - 0° 03' | - 1° 03'              | + 0° 21' |       |
|  | Decimal Degrees | - 0.70°   | + 0.30°  | - 1.05°    | - 0.05°  | - 1.05°               | + 0.35°  |       |
| Rest of World  | Degrees/Minutes | - 0° 42'  | + 0° 18' | - 0° 54'   | + 0° 06' | - 0° 54'              | + 0° 30' |       |
|  | Decimal Degrees | - 0.70°   | + 0.30°  | - 0.90°    | + 0.10°  | - 0.90°               | + 0.50°  |       |

- All above figures are at “Showroom” height – See “Vehicle Ride Heights” section.
- Tires must be inflated to:
  - “normal” setting up to 2002.5 MY and
  - “up to 4 people” setting 2002.5 MY onwards – See “Tire Pressures” section.

| S-TYPE – Castor                                      |                 |           |          |            |          |                       |          | <u>Notes</u> |
|--|-----------------|-----------|----------|------------|----------|-----------------------|----------|--------------|
| 1999.25 up to 2002.5 MY<br>VIN – L00600 to M45254    |                 | Castor    |          |            |          |                       |          |              |
|  |                 | Left-Hand |          | Right-Hand |          | Balance (RH minus LH) |          |              |
|  |                 | Min       | Max      | Min        | Max      | Min                   | Max      |              |
| All Right-Hand Drive and Japan                       | Degrees/Minutes | + 7° 06'  | + 8° 30' | + 7° 06'   | + 8° 30' | - 0° 42'              | + 0° 42' |              |
|  | Decimal Degrees | + 7.10°   | + 8.50°  | + 7.10°    | + 8.50°  | - 0.70°               | + 0.70°  |              |
| USA, Canada, Mexico,<br>Dominican Republic (NAS)     | Degrees/Minutes | + 7° 06'  | + 8° 30' | + 7° 06'   | + 8° 30' | - 0° 42'              | + 0° 42' |              |
|  | Decimal Degrees | + 7.10°   | + 8.50°  | + 7.10°    | + 8.50°  | - 0.70°               | + 0.70°  |              |
| Rest of World  | Degrees/Minutes | + 7° 06'  | + 8° 30' | + 7° 06'   | + 8° 30' | - 0° 42'              | + 0° 42' |              |
|  | Decimal Degrees | + 7.10°   | + 8.50°  | + 7.10°    | + 8.50°  | - 0.70°               | + 0.70°  |              |
| <b>2002.5 MY onwards<br/>VIN – M45255 to Current</b> |                 |           |          |            |          |                       |          |              |
| All Right-Hand Drive and Japan                       | Degrees/Minutes | + 6° 11'  | + 7° 35' | + 5° 38'   | + 7° 02' | - 1° 15'              | + 0° 09' |              |
|  | Decimal Degrees | + 6.18°   | + 7.58°  | + 5.63°    | + 7.03°  | - 1.25°               | + 0.15°  |              |
| USA, Canada, Mexico,<br>Dominican Republic (NAS)     | Degrees/Minutes | + 5° 54'  | + 7° 18' | + 6° 03'   | + 7° 27' | - 0° 34'              | + 0° 50' |              |
|  | Decimal Degrees | + 5.91°   | + 7.31°  | + 6.04°    | + 7.44°  | - 0.56°               | + 0.84°  |              |
| Rest of World  | Degrees/Minutes | + 5° 54'  | + 7° 18' | + 5° 54'   | + 7° 18' | - 0° 42'              | + 0° 42' |              |
|  | Decimal Degrees | + 5.91°   | + 7.31°  | + 5.91°    | + 7.31°  | - 0.70°               | + 0.70°  |              |

- All above figures are at “Showroom” height – See “Vehicle Ride Heights” section.
- Tires must be inflated to:
  - “normal” setting up to 2002.5 MY and
  - “up to 4 people” setting 2002.5 MY onwards – See “Tire Pressures” section.

Notes

| S-TYPE – Toe                                      |                 |           |          |
|---|-----------------|-----------|----------|
| 1999.25 up to 2002.5 MY<br>VIN – L00600 to M45254 |                 | Total Toe |          |
|   |                 | Min       | Max      |
| All Right-Hand Drive and Japan                    | Degrees/Minutes | 0° 00'    | + 0° 20' |
|   | Decimal Degrees | 0.00°     | + 0.34°  |
| USA, Canada, Mexico,<br>Dominican Republic (NAS)  | Degrees/Minutes | 0° 00'    | + 0° 20' |
|   | Decimal Degrees | 0.00°     | + 0.34°  |
| Rest of World                                     | Degrees/Minutes | 0° 00'    | + 0° 20' |
|   | Decimal Degrees | 0.00°     | + 0.34°  |

| S-TYPE – Toe                                     |                 |           |          |
|--|-----------------|-----------|----------|
| 2002.5 MY onwards<br>VIN – M45255 to Current     |                 | Total Toe |          |
|  |                 | Min       | Max      |
| All Right-Hand Drive and Japan                   | Degrees/Minutes | - 0° 22'  | - 0° 02' |
|  | Decimal Degrees | - 0.37°   | - 0.03°  |
| USA, Canada, Mexico,<br>Dominican Republic (NAS) | Degrees/Minutes | - 0° 22'  | - 0° 02' |
|  | Decimal Degrees | - 0.37°   | - 0.03°  |
| Rest of World                                    | Degrees/Minutes | - 0° 22'  | - 0° 02' |
|  | Decimal Degrees | - 0.37°   | - 0.03°  |

- All figures are at “Showroom” height. See “Vehicle Ride Heights” section.
- Tires must be inflated to:
  - “normal” setting up to 2002.5 MY and
  - “up to 4 people” setting 2002.5 MY onwards
  - See “Tire Pressures” section.

Notes

| X-TYPE – Camber                              |                 |           |          |            |          |                       |          |
|--|-----------------|-----------|----------|------------|----------|-----------------------|----------|
| 2001.5 MY onwards<br>VIN – C00344 to Current |                 | Camber    |          |            |          |                       |          |
|  |                 | Left-Hand |          | Right-Hand |          | Balance (RH minus LH) |          |
|  |                 | Min       | Max      | Min        | Max      | Min                   | Max      |
| All Markets                                  | Degrees/Minutes | - 1° 02'  | - 0° 02' | - 1° 02'   | - 0° 02' | - 0° 42'              | + 0° 42' |
|  | Decimal Degrees | - 1.04°   | - 0.04°  | - 1.04°    | - 0.04°  | - 0.70°               | + 0.70°  |

- All above figures are with 20 liters of fuel.
- Tires must be inflated to normal pressure – See “Tire Pressures” section.

| X-TYPE – Castor                              |                 |           |          |            |          |                       |          |
|--|-----------------|-----------|----------|------------|----------|-----------------------|----------|
| 2001.5 MY onwards<br>VIN – C00344 to Current |                 | Castor    |          |            |          |                       |          |
|  |                 | Left-Hand |          | Right-Hand |          | Balance (RH minus LH) |          |
|  |                 | Min       | Max      | Min        | Max      | Min                   | Max      |
| All Markets                                  | Degrees/Minutes | + 1° 59'  | + 2° 59' | + 1° 59'   | + 2° 59' | - 0° 30'              | + 0° 30' |
|  | Decimal Degrees | + 1.98°   | + 2.98°  | + 1.98°    | + 2.98°  | - 0.50°               | + 0.50°  |

- All above figures are with 20 liters of fuel.
- Tires must be inflated to normal pressure – See “Tire Pressures” section.

| X-TYPE – Toe                                 |                 |           |          |
|--|-----------------|-----------|----------|
| 2001.5 MY onwards<br>VIN – C00344 to Current |                 | Total Toe |          |
|  |                 | Min       | Max      |
| All Markets                                  | Degrees/Minutes | - 0° 16'  | + 0° 04' |
|  | Decimal Degrees | - 0.27°   | + 0.07°  |

Notes

- All above figures are with 20 liters of fuel.
- Tires must be inflated to normal pressure – See “Tire Pressures” section.

## XJ – Camber

Notes

| 1998 up to 2003.5 MY<br>VIN – 812317 to F59525       |                 | Camber    |          |            |          |                       |          |
|--|-----------------|-----------|----------|------------|----------|-----------------------|----------|
|  |                 | Left-Hand |          | Right-Hand |          | Balance (RH minus LH) |          |
|  |                 | Min       | Max      | Min        | Max      | Min                   | Max      |
| All Markets  | Degrees/Minutes | - 1° 12'  | - 0° 06' | - 1° 12'   | - 0° 06' | - 1° 00'              | + 1° 00' |
|  | Decimal Degrees | - 1.20°   | - 0.10°  | - 1.20°    | - 0.10°  | - 1.00°               | + 1.00°  |
| <b>2003.5 MY onwards<br/>VIN – G00442 to Current</b> |                 |           |          |            |          |                       |          |
| All Markets  | Degrees/Minutes | - 1° 38'  | - 0° 08' | - 1° 38'   | - 0° 08' | - 0° 45'              | + 0° 45' |
|  | Decimal Degrees | - 1.64°   | - 0.14°  | - 1.64°    | - 0.14°  | - 0.75°               | + 0.75°  |

- 1998 up to 2003.5 MY figures are at “showroom” height – See “Vehicle Ride Heights” section.
- 2003.5 MY onwards figures are at “standard” height – See “Vehicle Ride Heights” section.
- Tires must be inflated to normal pressure – See “Tire Pressures” section.



## XJ – Toe

Notes

| 1998 up to 2003.5 MY<br>VIN – 812317 to F59525 |                 | Toe       |          |            |          |           |          |              |          |
|--|-----------------|-----------|----------|------------|----------|-----------|----------|--------------|----------|
|  |                 | Left-Hand |          | Right-Hand |          | Total Toe |          | Thrust Angle |          |
|  |                 | Min       | Max      | Min        | Max      | Min       | Max      | Min          | Max      |
| All Markets                                    | Degrees/Minutes | + 0° 5'   | + 0° 15' | + 0° 5'    | + 0° 15' | + 0° 10'  | + 0° 30' | - 0° 05'     | + 0° 05' |
|  | Decimal Degrees | + 0.08°   | + 0.25°  | + 0.08°    | + 0.25°  | + 0.17°   | + 0.50°  | - 0.08°      | + 0.08°  |
| 2003.5 MY onwards<br>VIN – G00442 to Current   |                 |           |          |            |          |           |          |              |          |
| All Markets                                    | Degrees/Minutes | - 0° 01'  | + 0° 11' | - 0° 01'   | + 0° 11' | 0° 00'    | + 0° 20' | - 0° 06'     | + 0° 06' |
|  | Decimal Degrees | - 0.02°   | + 0.18°  | - 0.02°    | + 0.18°  | 0.00°     | + 0.33°  | - 0.10°      | + 0.10°  |

- 1998 up to 2003.5 MY figures are at “showroom” height – See “Vehicle Ride Heights” section.
- 2003.5 MY onwards figures are at “standard” height – See “Vehicle Ride Heights” section.
- Tires must be inflated to normal pressure – See “Tire Pressures” section.

| XK – Camber                                |                 |           |          |            |          |                       |          |
|--|-----------------|-----------|----------|------------|----------|-----------------------|----------|
| 1997 MY onwards<br>VIN – 001246 to Current |                 | Camber    |          |            |          |                       |          |
|  |                 | Left-Hand |          | Right-Hand |          | Balance (RH minus LH) |          |
|  |                 | Min       | Max      | Min        | Max      | Min                   | Max      |
| All Markets                                | Degrees/Minutes | - 0° 54'  | - 0° 06' | - 0° 54'   | - 0° 06' | - 1° 00'              | + 1° 00' |
|  | Decimal Degrees | - 0.90°   | - 0.10°  | - 0.90°    | - 0.10°  | - 1.00°               | + 1.00°  |

Notes

- All above figures are at “showroom” height – See “Vehicle Ride Heights” section.
- Tires must be inflated to normal pressure – See “Tire Pressures” section.

| XK – Toe                                   |                 |           |          |            |          |           |          |              |          |
|--|-----------------|-----------|----------|------------|----------|-----------|----------|--------------|----------|
| 1997 MY onwards<br>VIN – 001246 to Current |                 | Toe       |          |            |          |           |          |              |          |
|  |                 | Left-Hand |          | Right-Hand |          | Total Toe |          | Thrust Angle |          |
|  |                 | Min       | Max      | Min        | Max      | Min       | Max      | Min          | Max      |
| All Markets                                | Degrees/Minutes | + 0° 5'   | + 0° 15' | + 0° 5'    | + 0° 15' | + 0° 10'  | + 0° 30' | - 0° 05'     | + 0° 05' |
|  | Decimal Degrees | + 0.08°   | + 0.25°  | + 0.08°    | + 0.25°  | + 0.17°   | + 0.50°  | - 0.08°      | + 0.08°  |

- All above figures are at “showroom” height – See “Vehicle Ride Heights” section.
- Tires must be inflated to normal pressure – See “Tire Pressures” section.

| S-TYPE – Camber                                   |                 |           |          |            |          |                       |          | Notes |
|---|-----------------|-----------|----------|------------|----------|-----------------------|----------|-------|
| 1999.25 up to 2002.5 MY<br>VIN – L00600 to M45254 |                 | Camber    |          |            |          |                       |          |       |
|   |                 | Left-Hand |          | Right-Hand |          | Balance (RH minus LH) |          |       |
|   |                 | Min       | Max      | Min        | Max      | Min                   | Max      |       |
| All Markets                                       | Degrees/Minutes | - 1° 45'  | - 0° 15' | - 1° 45'   | - 0° 15' | - 0° 45'              | + 0° 45' |       |
|   | Decimal Degrees | - 1.75°   | - 0.25°  | - 1.75°    | - 0.25°  | - 0.75°               | + 0.75°  |       |
| 2002.5 MY onwards<br>VIN – M45255 to Current      |                 |           |          |            |          |                       |          |       |
| All Markets                                       | Degrees/Minutes | - 1° 17'  | + 0° 13' | - 1° 17'   | + 0° 13' | - 0° 45'              | + 0° 45' |       |
|   | Decimal Degrees | - 1.29°   | + 0.21°  | - 1.29°    | + 0.21°  | - 0.75°               | + 0.75°  |       |

- All above figures are at “Showroom” height – See “Vehicle Ride Heights” section.
- Tires must be inflated to:
  - “normal” setting up to 2002.5 MY and
  - “up to 4 people” setting 2002.5 MY onwards – See “Tire Pressures” section.

| S-TYPE – Toe   |                 |           |          |            |          |           |          |              |          | <u>Notes</u> |
|--|-----------------|-----------|----------|------------|----------|-----------|----------|--------------|----------|--------------|
| 1999.25 up to 2002.5 MY<br>VIN – L00600 to M45254    |                 | Toe       |          |            |          |           |          |              |          |              |
|  |                 | Left-Hand |          | Right-Hand |          | Total Toe |          | Thrust Angle |          |              |
|  |                 | Min       | Max      | Min        | Max      | Min       | Max      | Min          | Max      |              |
| All Markets  | Degrees/Minutes | + 0° 01'  | + 0° 13' | + 0° 01'   | + 0° 13' | + 0° 05'  | + 0° 25' | - 0° 06'     | + 0° 06' |              |
|  | Decimal Degrees | + 0.02°   | + 0.22°  | + 0.02°    | + 0.22°  | + 0.08°   | + 0.42°  | - 0.10°      | + 0.10°  |              |
| <b>2002.5 MY onwards<br/>VIN – M45255 to Current</b> |                 |           |          |            |          |           |          |              |          |              |
| All Markets<br>(Naturally Aspirated)                 | Degrees/Minutes | - 0° 01'  | + 0° 11' | - 0° 01'   | + 0° 11' | 0° 00'    | + 0° 20' | - 0° 06'     | + 0° 06' |              |
|  | Decimal Degrees | - 0.02°   | + 0.18°  | - 0.02°    | + 0.18°  | 0.00°     | + 0.33°  | - 0.10°      | + 0.10°  |              |
| All Markets<br>(Supercharged)                        | Degrees/Minutes | + 0° 02'  | + 0° 14' | + 0° 02'   | + 0° 14' | + 0° 05'  | + 0° 25' | - 0° 06'     | + 0° 06' |              |
|  | Decimal Degrees | + 0.03°   | + 0.23°  | + 0.03°    | + 0.23°  | + 0.08°   | + 0.42°  | - 0.10°      | + 0.10°  |              |

- All above figures are at “Showroom” height – See “Vehicle Ride Heights” section.
- Tires must be inflated to:
  - “normal” setting up to 2002.5 MY and
  - “up to 4 people” setting 2002.5 MY onwards – See “Tire Pressures” section.

| X-TYPE – Camber                              |                 |           |          |            |          |                       |          |
|--|-----------------|-----------|----------|------------|----------|-----------------------|----------|
| 2001.5 MY onwards<br>VIN – C00344 to Current |                 | Camber    |          |            |          |                       |          |
|  |                 | Left-Hand |          | Right-Hand |          | Balance (RH minus LH) |          |
|  |                 | Min       | Max      | Min        | Max      | Min                   | Max      |
| All Markets                                  | Degrees/Minutes | - 1° 12'  | - 0° 12' | - 1° 12'   | - 0° 12' | - 0° 30'              | + 0° 30' |
|  | Decimal Degrees | - 1.20°   | - 0.20°  | - 1.20°    | - 0.20°  | - 0.50°               | + 0.50°  |

Notes

- All above figures are with 20 liters of fuel.
- Tires must be inflated to normal pressure – See “Tire Pressures” section.

| X-TYPE – Toe                                 |                 |           |          |            |          |           |          |              |          |
|--|-----------------|-----------|----------|------------|----------|-----------|----------|--------------|----------|
| 2001.5 MY onwards<br>VIN – C00344 to Current |                 | Toe       |          |            |          |           |          |              |          |
|  |                 | Left-Hand |          | Right-Hand |          | Total Toe |          | Thrust Angle |          |
|  |                 | Min       | Max      | Min        | Max      | Min       | Max      | Min          | Max      |
| All Markets                                  | Degrees/Minutes | + 0° 2'   | + 0° 14' | + 0° 2'    | + 0° 14' | + 0° 05'  | + 0° 25' | - 0° 06'     | + 0° 06' |
|  | Decimal Degrees | + 0.03°   | + 0.23°  | + 0.03°    | + 0.23°  | + 0.08°   | + 0.42°  | - 0.10°      | + 0.10°  |

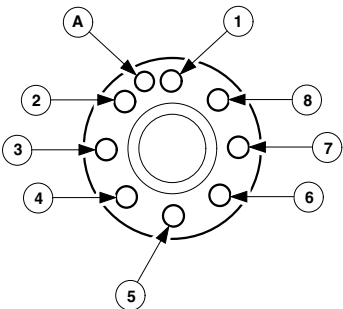
- All above figures are with 20 liters of fuel.
- Tires must be inflated to normal pressure – See “Tire Pressures” section.

| VIN           |         | Model Year |         | Nut Torque Aluminium-Wheel |          | Nut Torque Steel-Wheel |         | <u>Notes</u> |
|---------------|---------|------------|---------|----------------------------|----------|------------------------|---------|--------------|
| From          | To      | From       | To      | Nm                         | lbf ft   | Nm                     | lbf ft  |              |
| <b>XJ</b>     |         |            |         |                            |          |                        |         |              |
| 812317        | 878717  | 1998       | 1999    | 88 – 102                   | 65 – 75  | 68 – 82                | 50 – 60 |              |
| F00103        | F59525  | 2000       | 2003.5  | 88 – 102                   | 65 – 75  | –                      | –       |              |
| G00442        | Current | 2003.5     | Onwards | 115 – 135                  | 85 – 100 | –                      | –       |              |
| <b>XK</b>     |         |            |         |                            |          |                        |         |              |
| 001246        | 042775  | 1997       | 1999    | 88 – 102                   | 65 – 75  | 68 – 82                | 50 – 60 |              |
| A00116        | Current | 2000       | Onwards | 88 – 102                   | 65 – 75  | –                      | –       |              |
| <b>S-TYPE</b> |         |            |         |                            |          |                        |         |              |
| L00600        | Current | 1999.25    | Onwards | 115 – 135                  | 85 – 100 | –                      | –       |              |
| <b>X-TYPE</b> |         |            |         |                            |          |                        |         |              |
| C00344        | Current | 2001.5     | Onwards | 88 – 118                   | 65 – 87  | 68 – 92                | 50 – 68 |              |

**To convert Nm to lbf ft:  
Divide the Nm torque figure by 1.356**

| Component                                  | Torque   | Notes |
|--|--|-------|
| Air Temperature Sensor (supercharged only) | 35 Nm  |       |
| Camshaft Bearing Cap                       | 10 Nm  |       |
| Camshaft Sensor                            | 7 Nm   |       |
| Charge – Air Cooler Adapter                | 21 Nm  |       |
| Charge – Air Cooler to adaptor             | 12 Nm  |       |
| Coolant Pump                               | 8 Nm + 90 degrees  |       |
| Crankshaft Damper Pulley – Bolt            | 375 Nm   |       |
| Crankshaft Position Sensor                 | 7 Nm   |       |
| Cylinder Head Bolts                        | See: Tightening Torques and Sequence – Cylinder Heads Section. |       |
| Cylinder Head Cover                        | 10 Nm  |       |

To convert Nm to lbf ft:  
Divide the Nm torque figure by 1.356

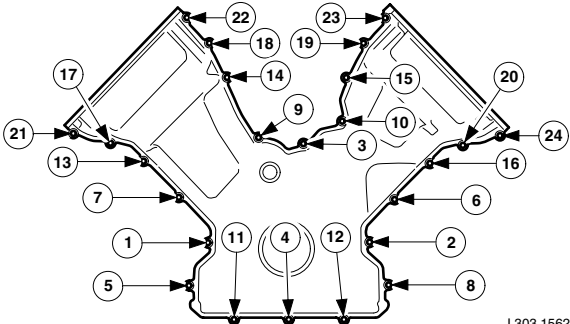
| Component   | Torque   | Notes |
|---|--|-------|
| <p>Drive Plate</p>  <p style="text-align: right;">J.303.1563</p> | <p>A = Dowel</p> <ol style="list-style-type: none"> <li>Tighten to 15 Nm in order: 1, 5, 3, 7, 2, 6, 4, 8.</li> <li>Tighten to 110 Nm in order: 1, 5, 3, 7, 2, 6, 4, 8.</li> </ol> |       |
| Engine Mounting Bracket to Engine   | 40 Nm  |       |
| Exhaust Manifold  | See: Tightening Torques and Sequence – Intake and Exhaust Manifolds Section.   |       |
| Ignition Coil   | 5 Nm   |       |
| Intake Manifold   | See: Tightening Torques and Sequence – Intake and Exhaust Manifolds Section.   |       |
| Knock Sensor  | 20 Nm (nut)  |       |

**To convert Nm to lbf ft:  
Divide the Nm torque figure by 1.356**

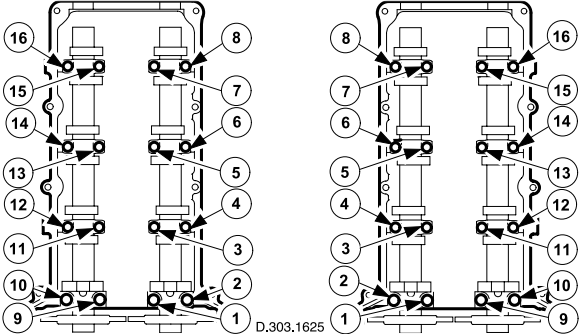


| Component                            | Torque                            | Notes |
|--------------------------------------|-----------------------------------|-------|
| Oil Diverter Valve                   | 12 Nm                             |       |
| Oil Filter                           | 18 Nm exact                       |       |
| Oil Filter Adapter                   | 30 Nm                             |       |
| Oil Filter Head                      | 21 Nm                             |       |
| Oil Pan                              | 12 Nm (Refer to GTR for sequence) |       |
| Oil Pan Baffle (windage tray)        | 6 Nm                              |       |
| Oil Pan Body to Lower Cylinder Block | 21 Nm                             |       |
| Oil Pick-up Pipe                     | 12 Nm                             |       |
| Oil Pressure Switch                  | 12 Nm                             |       |
| Oil Pump                             | 12 Nm                             |       |
| Oil Temperature Sensor               | 20 Nm                             |       |
| Piston Cooling Jets                  | 9 Nm                              |       |
| Spark Plugs                          | 28 Nm                             |       |
| Starter Motor                        | 43 Nm                             |       |
| Supercharger                         | 21 Nm                             |       |

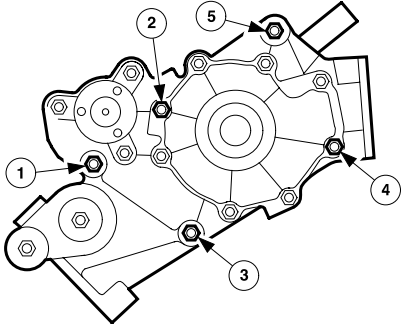
To convert Nm to lbf ft:  
Divide the Nm torque figure by 1.356

| Component  | Torque                             | Notes |
|--|------------------------------------|-------|
| Thermostat Housing   | 10 Nm                              |       |
| Timing Chain Cover<br> <p style="text-align: right; font-size: small;">J.303.1562</p> | 12 Nm – Tighten in sequence shown. |       |

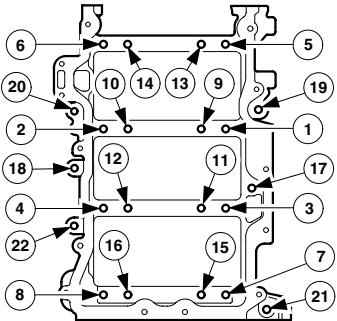
**To convert Nm to lbf ft:**  
 Divide the Nm torque figure by 1.356

| Component   | Torque                                   | Notes |
|---|--|-------|
| Accessory Drive – Belt Tensioner  | 48 Nm                                    |       |
| Accessory Drive – Idler Pulley  | 25 Nm (grooved) 48 Nm (smooth X-TYPE)    |       |
| Air Conditioning Compressor   | 25 Nm                                    |       |
| Air Conditioning Compressor Mounting-Bracket  | 25 Nm                                    |       |
| <p>Camshaft Bearing Caps</p>  <p style="text-align: center;">D.303.1625<br/>Front of Engine</p> | <p>10 Nm – Tighten in sequence shown</p> |       |
| Camshaft Sensor   | 7 Nm                                     |       |

**To convert Nm to lbf ft:  
Divide the Nm torque figure by 1.356**

| Component   | Torque   | Notes |
|---|--|-------|
| Clutch Pressure Plate   | 23 Nm – work across pressure plate in a diagonal pattern.  |       |
| Coolant Pump (S-TYPE and X)   | 25 Nm  |       |
| Coolant Pump (X-TYPE)<br><br><small>303 1749</small> | Tighten in sequence below: <ul style="list-style-type: none"> <li>• Tighten bolt (1) to 5 Nm.</li> <li>• Tighten bolt (2) to 5 Nm.</li> <li>• Tighten bolts (3) (4) (5) to 5 Nm.</li> <li>• Tighten bolt (1) to 10 Nm.</li> <li>• Tighten bolt (2) to 10 Nm.</li> <li>• Tighten bolts (3) (4) (5) to 10 Nm.</li> </ul> |       |
| Coolant Pump Pulley (X-TYPE)  | 10 Nm  |       |

**To convert Nm to lbf ft:**  
**Divide the Nm torque figure by 1.356**

| Component   | Torque  | Notes |
|---|---|-------|
| Crankshaft Damper Pulley  | <ol style="list-style-type: none"> <li>1. Pre-torque to 120 Nm.</li> <li>2. Loosen Bolt 360 degrees.</li> <li>3. Torque to 50 Nm.</li> <li>4. Rotate Bolt Clockwise 85 degrees, continue rotating to a maximum of 95 degrees, or 200 Nm.</li> </ol>                         |       |
| Crankshaft Position Sensor  | 10 Nm   |       |
| Cylinder Block Lower, to Cylinder Block Upper<br> <p style="text-align: right; font-size: small;">J.303.1559</p> | Tighten in sequence below:<br><br><ol style="list-style-type: none"> <li>1. 1 through to 8 – tighten to 25 Nm.</li> <li>2. 9 through to 16 – tighten to 40 Nm.</li> <li>3. 1 through to 16 – rotate 90 degrees.</li> <li>4. 17 through to 22 – tighten to 25 Nm.</li> </ol> |       |
| Cylinder Head Bolts   | See: Tightening Torques and Sequence – Cylinder Heads Section.  |       |

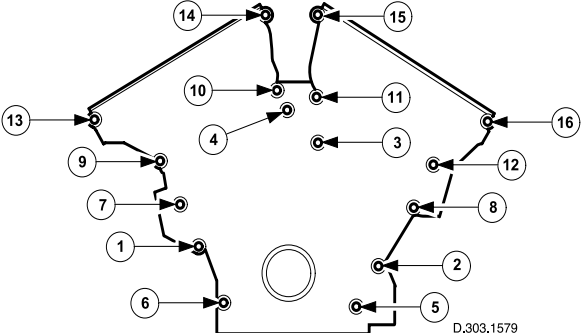
**To convert Nm to lbf ft:  
Divide the Nm torque figure by 1.356**

| Component                               | Torque   | <u>Notes</u> |
|---|--|--------------|
| Cylinder Head Cover                     | 10 Nm  |              |
| Cylinder Head Temperature Sensor        | 15 Nm  |              |
| Exhaust Manifold                        | See: Tightening Torques and Sequence – Intake and Exhaust Manifolds Section.   |              |
| Generator                               | 48 Nm (25 Nm X-TYPE lower bolt)  |              |
| Ignition Coil                           | 7 Nm   |              |
| Intake Air Control Valve                | 10 Nm  |              |
| Intake Manifold – Lower                 | 10 Nm  |              |
| Intake Manifold – Upper                 | See: Tightening Torques and Sequence – Intake and Exhaust Manifolds Section.   |              |
| Knock Sensor                            | 25 Nm  |              |
| Oil Cooler                              | 58 Nm  |              |
| Oil Filter                              | 14 to 17 Nm  |              |
| Oil Filter and Engine Mounting Assembly | Tighten in sequence below:<br><ol style="list-style-type: none"> <li>1. Tighten M22 bolt to 30 Nm.</li> <li>2. Tighten M10 bolt to 26 Nm.</li> <li>3. Tighten M8 bolt to 26 Nm.</li> <li>4. Tighten M22 bolt to 155 Nm.</li> <li>5. Tighten M10 bolt to 40 Nm and then rotate 90 degrees.</li> </ol> |              |
| Oil Gauge Tube                          | 10 Nm  |              |
| Oil Pan Baffle                          | 5 Nm and then rotate 45 degrees.   |              |

**To convert Nm to lbf ft:  
Divide the Nm torque figure by 1.356**

| Component                                | Torque   | Notes |
|--|--|-------|
| Oil Pan Drain Plug                       | 23 Nm  |       |
| Oil Pan to Cylinder Block                | 25 Nm  |       |
| Oil Pick-up Pipe                         | bolt – 10 Nm<br>nut – 5 Nm + 45 degrees, (or until 17 Nm maximum). |       |
| Oil Pressure Switch                      | 16 Nm  |       |
| Oil Pump to Cylinder Block               | 10 Nm  |       |
| Oil Separator to Cylinder Block (S-TYPE) | 10 Nm  |       |
| Oil Temperature Sensor                   | 14 Nm  |       |
| Power Steering Idler – Pulley Bracket    | 25 Nm  |       |
| Power Steering Pump                      | 25 Nm  |       |
| Spark Plugs                              | 15 Nm  |       |

To convert Nm to lbf ft:  
Divide the Nm torque figure by 1.356

| Component  | Torque   | Notes |
|--|--|-------|
| Throttle Body  | 10 Nm  |       |
| Timing Chain Cover<br> | 25 Nm – Tighten in sequence shown.<br><br>X-TYPE only<br>bolts 3, 4, 10, 11 30 Nm + 45 degrees |       |

To convert Nm to lbf ft:  
 Divide the Nm torque figure by 1.356



| Component  | Torque   | Notes |
|--|--|-------|
| Accessory Drive Belt (front) – Idler Pulley Mounting Bracket | 83 Nm  |       |
| Accessory Drive Belt (front) – Idler to Mounting Bracket     | 47 Nm  |       |
| Accessory Drive Belt (front) – Tensioner                     | 47 Nm  |       |
| Accessory Drive Belt (rear) – Camshaft Pulley                | 80 Nm + 90 degrees   |       |
| Accessory Drive Belt (rear) – Tensioner Bolt                 | 25 Nm  |       |
| Air Conditioning Compressor                                  | 23 Nm  |       |
| Air Conditioning Compressor – Mounting Bracket to Engine     | 23 Nm  |       |
| Camshaft Pulley  | 23 Nm  |       |
| Camshaft Sensor  | 10 Nm  |       |
| Clutch Pressure Plate  | 26 Nm  |       |
| Coolant Inlet Connector                                      | 10 Nm  |       |
| Coolant Outlet Assembly                                      | 10 Nm  |       |
| Coolant Pump   | 10 Nm  |       |
| Coolant Pump Pulley  | 23 Nm  |       |
| Crankcase Ventilation Separator to Engine                    | Nut – 24 Nm, Bolt – 10 Nm                                      |       |
| Crankshaft – Rear Oil Seal Retainer                          | 10 Nm  |       |
| Crankshaft Damper Pulley                                     | 25 Nm  |       |
| Crankshaft Position Sensor                                   | 5 Nm   |       |
| Crankshaft Timing Plug                                       | 23 Nm  |       |
| Cylinder Head  | See: Tightening Torques and Sequence – Cylinder Heads Section. |       |

**To convert Nm to lbf ft:  
Divide the Nm torque figure by 1.356**

| Component                                  | Torque   | <u>Notes</u> |
|--|--|--------------|
| EGR Cooler Inlet Elbow to Exhaust Manifold | 10 Nm  |              |
| EGR Cooler to Engine                       | 10 Nm  |              |
| EGR Valve – Exhaust Outlet Tube            | 10 Nm  |              |
| Engine Mounting Bracket to Engine          | 90 Nm  |              |
| Exhaust Manifold                           | See: Tightening Torques and Sequence – Intake and Exhaust Manifolds Section. |              |
| Generator Mounting Bracket to Engine       | 23 Nm  |              |
| Generator to Mounting Bracket              | 47 Nm  |              |
| Glow Plug                                  | 11 Nm  |              |
| Intake Manifold and Camshaft Cover         | See: Tightening Torques and Sequence – Intake and Exhaust Manifolds Section. |              |
| Knock Sensor                               | 20 Nm  |              |
| Oil Cooler to Engine                       | 10 Nm  |              |
| Oil Drain Plug                             | 23 Nm  |              |
| Oil Filter Cap                             | 23 Nm  |              |
| Oil Level Tube – Lower Fixing              | 18 Nm  |              |
| Oil Level Tube – Upper Fixing              | 5 Nm   |              |
| Oil Pan                                    | 10 Nm  |              |
| Oil Pick-up Pipe                           | 10 Nm  |              |
| Oil Pressure Switch                        | 14 Nm  |              |
| Oil Pump                                   | 10 Nm  |              |

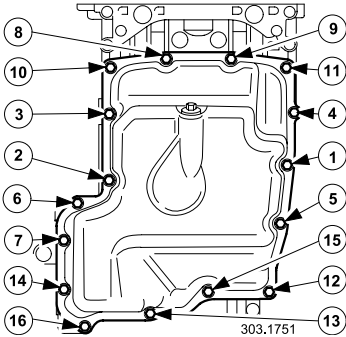
**To convert Nm to lbf ft:  
Divide the Nm torque figure by 1.356**

| Component  | Torque  | <u>Notes</u> |
|--|---|--------------|
| PAS Pump   | 22 Nm   |              |
| PAS pump – Mounting Bracket to Engine                  | 23 Nm   |              |
| PAS Pump Pulley  | 21 Nm   |              |
| Piston Cooling Jets                                    | 10 Nm   |              |
| Primary Drive Belt Cover                               | 10 Nm   |              |
| Primary Timing Belt – Idler Pulley                     | 45 Nm   |              |
| Primary Timing Belt Tensioner                          | 26 Nm   |              |
| Turbocharger Heat Shield                               | 11 Nm   |              |
| Turbocharger Oil Drain Tube to Engine and Turbocharger | 10 Nm   |              |
| Turbocharger Oil Feed Tube to Engine                   | 9 Nm  |              |
| Vacuum Pump  | Stud – 13 Nm<br>Bolt – 22 Nm<br>Pipe Bracket Bolt – 10 Nm |              |

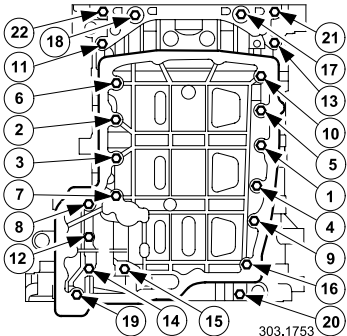
To convert Nm to lbf ft:  
Divide the Nm torque figure by 1.356

| Component                           | Torque   | <u>Notes</u> |
|-------------------------------------|--|--------------|
| Accessory Drive (rear) – Tensioner  | 23 Nm  |              |
| Camshaft Position Sensor            | 9 Nm   |              |
| Camshaft Pulley (rear)              | 64 Nm  |              |
| Camshaft Sprocket                   | 33 Nm  |              |
| Coolant Pump                        | 23 Nm  |              |
| Crankshaft Position Sensor          | 7 Nm   |              |
| Crankshaft Sprocket                 | 36 Nm  |              |
| Cylinder Head Bolts                 | See: Tightening Torques and Sequence – Cylinder Heads Section. |              |
| Cylinder Head Cover                 | 10 Nm  |              |
| Cylinder Head Temperature Sensor    | 11 Nm  |              |
| EGR Cooler to Manifold              | 37 Nm  |              |
| Fuel High-pressure Pump             | 22 Nm  |              |
| Fuel High-pressure Pump Sprocket    | 33 Nm  |              |
| Fuel Injectors                      | 47 Nm  |              |
| Glow Plug                           | 13 Nm  |              |
| Knock Sensor                        | 20 Nm  |              |
| Oil Filter / Cooler to Engine Block | 23 Nm  |              |
| Oil Filter Cap                      | 23 Nm  |              |
| Oil Filter Drain Plug               | 10 Nm  |              |

**To convert Nm to lbf ft:  
Divide the Nm torque figure by 1.356**

| Component  | Torque  | Notes |
|--|---|-------|
| <p>Oil Pan</p>  | <p>Pre-torque to 7 Nm and tighten to 14 Nm in sequence shown.</p> |       |
| Oil Pan Drain Plug   | 23 Nm   |       |
| Oil Pick-up Pipe   | 10 Nm   |       |
| Oil Pressure Switch  | 15 Nm   |       |
| Oil Pump   | 10 Nm   |       |
| Piston Cooling Jet   | 10 Nm   |       |
| Power Steering Pump to Coolant Pump  | 18 Nm   |       |

**To convert Nm to lbf ft:  
Divide the Nm torque figure by 1.356**

| Component                         | Torque  | <u>Notes</u> |
|-----------------------------------|---|--------------|
| Rocker Shaft                      | 13 Nm + 45 degrees (always use new bolts)   |              |
| Stiffening frame                  |  <p>23 Nm – Tighten in sequence shown.</p> |              |
| Thermostat Housing to Vacuum Pump | 23 Nm   |              |
| Timing Chain Guides               | 16 Nm   |              |
| Timing Chain Tensioner            | 14 Nm   |              |
| Timing Chain Tensioner Blade      | 14 Nm   |              |
| Vacuum Pump to Engine             | 23 Nm   |              |

**To convert Nm to lbf ft:  
Divide the Nm torque figure by 1.356**

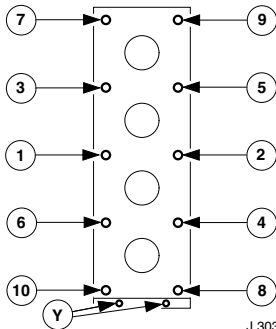
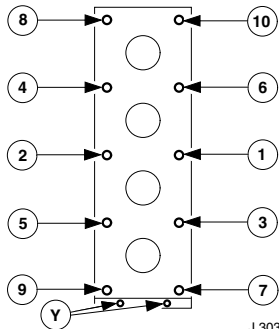
## V8 Gasoline Engine

### Tightening Torques in Nm and Degrees of Rotation

Cylinder head bolts can be used twice, for reference purposes mark for re-use.

| Step | Apply each step in sequence shown: |
|------|------------------------------------|
| 1    | Tighten bolts 1 to 10 to 20 Nm     |
| 2    | Tighten bolts 1 to 10 to 35 Nm     |
| 3    | Tighten bolts 1 to 10, 90 degrees  |
| 4    | Tighten bolts 1 to 10, 90 degrees  |
| 5    | Tighten bolts marked Y to 23 Nm    |

Notes



Bank 1

front of engine

Bank 2

To convert Nm to lbf ft:  
Divide the Nm torque figure  
by 1.356

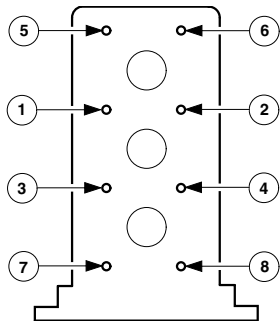
## V6 Gasoline Engine

### Tightening Torques in Nm and Degrees of Rotation

Use new bolts and washers.

| Step | Apply each step in sequence shown to both cylinder heads. |
|------|---|
| 1    | Tighten to 30 Nm  |
| 2    | Tighten 90 degrees  |
| 3    | Loosen 360 degrees  |
| 4    | Tighten to 30 Nm  |
| 5    | Tighten 90 degrees  |
| 6    | Tighten 90 degrees  |

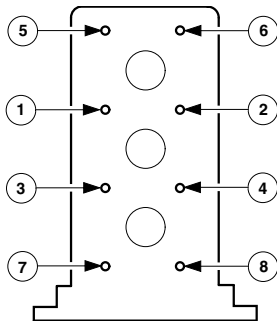
### Notes



D.303.1624

Bank 1

front of engine



D.303.1624

Bank 2

To convert Nm to lbf ft:  
Divide the Nm torque figure  
by 1.356



## V6 Diesel Engine

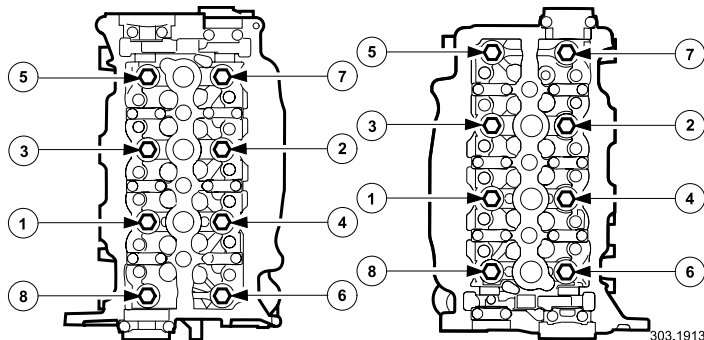
### Tightening Torques in Nm and Degrees of Rotation

Use new bolts.

**Step** Apply each step in sequence shown to both cylinder heads

|   |                     |
|---|---------------------|
| 1 | Tighten to 20 Nm    |
| 2 | Tighten to 40 Nm    |
| 3 | Tighten to 80 Nm    |
| 4 | Tighten 180 degrees |

### Notes



Bank 1

front of engine

Bank 2

To convert Nm to lbf ft:  
Divide the Nm torque figure  
by 1.356

303.1913

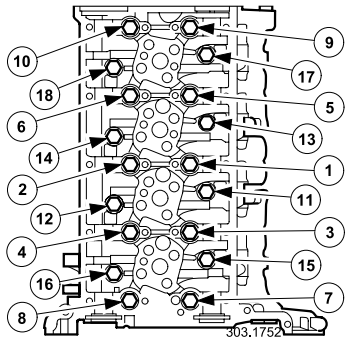
## 2.0 Liter Diesel Engine

Notes

### Tightening Torques in Nm and Degrees of Rotation

Use new bolts.

| Step | Apply each step in sequence shown. | Step |                                    |
|------|------------------------------------|------|------------------------------------|
| 1    | Bolts 1 through 10 to 20 Nm        | 4    | Bolts 11 through 18 to 20 Nm       |
| 2    | Bolts 11 through 18 to 10 Nm       | 5    | Bolts 1 through 10 to 180 degrees  |
| 3    | Bolts 1 through 10 to 40 Nm        | 8    | Bolts 11 through 18 to 180 degrees |



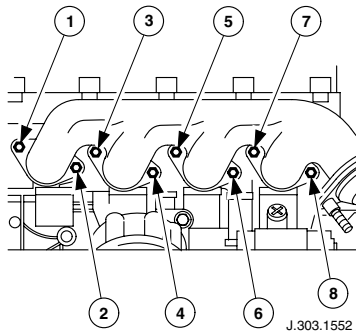
front of engine

To convert Nm to lbf ft:  
Divide the Nm torque figure by 1.356

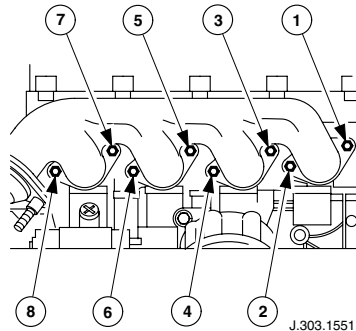
V8 Gasoline Engine – up to S-TYPE 2002.5 MY, XK 2003 MY, XJ 2003.5 MY

Notes

LH Exhaust Manifold



RH Exhaust Manifold



- Slightly tighten bolts 5 and 6 to align manifold.
- Tighten in sequence shown to 18 Nm for XJ and XK.
- Tighten in sequence shown to 23 Nm for S-TYPE.

Intake Manifold

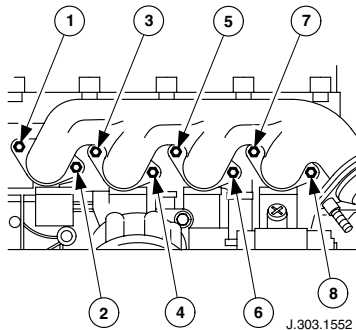
21 Nm

To convert Nm to lbf ft:  
Divide the Nm torque figure by 1.356

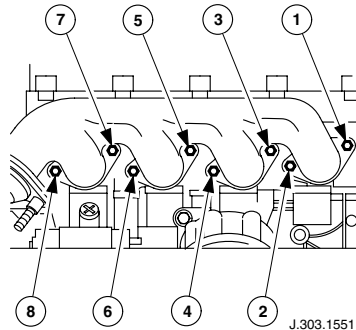
V8 Gasoline Engine – S-TYPE 2002.5 MY, XK 2003 MY, XJ 2003.5 MY onwards

Notes

LH Exhaust Manifold



RH Exhaust Manifold



- Fit guide pins to holes 1 and 7.
- Fit bolts to remaining holes and torque to 3 Nm.
- Replace guide pins with bolts and tighten to 3 Nm.
- Tighten bolts to 24 Nm in following sequence: 5, 4, 6, 3, 7, 2, 8, 1.

Intake Manifold

21 Nm

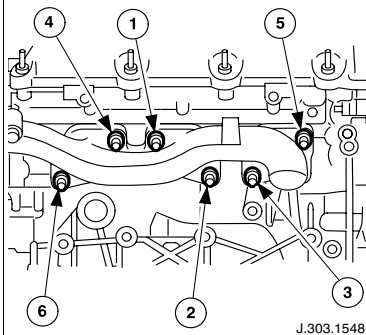
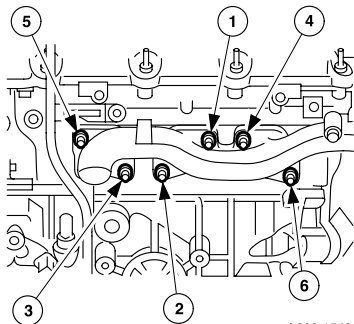
To convert Nm to lbf ft:  
Divide the Nm torque figure by 1.356

## V6 Gasoline Engine (S-TYPE and X)

Notes

LH Exhaust Manifold

RH Exhaust Manifold



- Tighten studs to 10 Nm
- Tighten nuts in sequence shown to 20 Nm

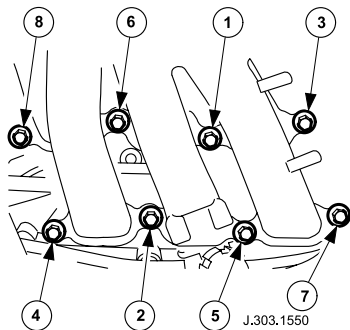
- Tighten studs to 10 Nm
- Tighten nuts in sequence shown to 20 Nm

**To convert Nm to lbf ft:  
Divide the Nm torque figure by 1.356**

Notes

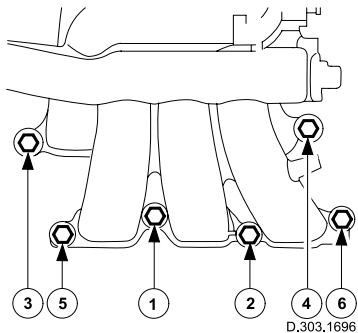
V6 Gasoline Engine (S-TYPE and XJ)

Intake Manifold up to 2002.5 MY



• Tighten in sequence shown to 10 Nm

Intake Manifold 2002.5 MY onwards



• Tighten in sequence shown to 10 Nm

To convert Nm to lbf ft:  
Divide the Nm torque figure by 1.356

## V6 Diesel Engine (S-TYPE)

|                  |       |
|------------------|-------|
| Intake Manifold  | 10 Nm |
| Exhaust Manifold | 24 Nm |

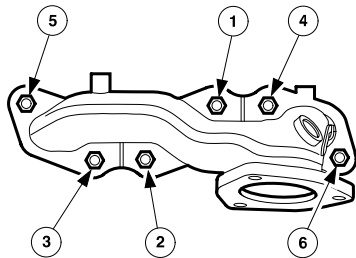
Notes

To convert Nm to lbf ft:  
Divide the Nm torque figure by 1.356

## V6 Gasoline Engine (X-TYPE)

### Notes

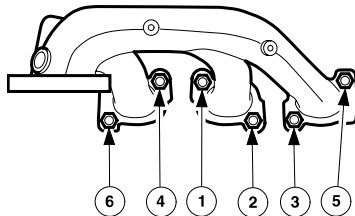
#### LH Exhaust Manifold



D.303.1585

- Tighten studs to 10 Nm
- Tighten nuts in sequence shown to 20 Nm

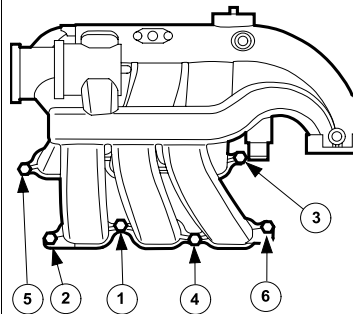
#### RH Exhaust Manifold



D.303.1584

- Tighten studs to 10 Nm
- Tighten nuts in sequence shown to 20 Nm

#### Intake Manifold



D.303.1623

- Tighten in sequence shown to 10 Nm
- (Use same sequence for the 2.0 liter gasoline engine manifold)

To convert Nm to lbf ft:  
Divide the Nm torque figure by 1.356

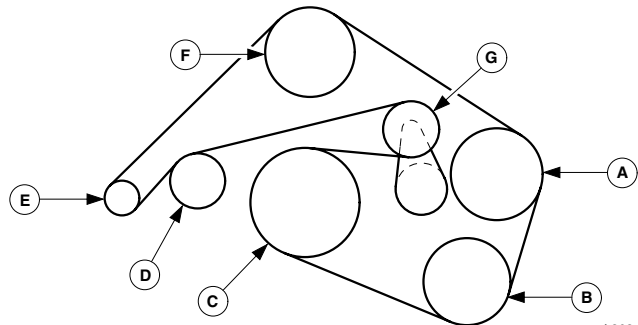


**2.0 Liter Diesel Engine (X-TYPE)**Notes

|                  |                        |
|------------------|------------------------|
| Intake Manifold  | Bolt 15 Nm – Nut 10 Nm |
| Exhaust Manifold | 40 Nm                  |

V8 Gasoline (XJ and XK, also S-TYPE 2002.5 MY onwards)

Notes



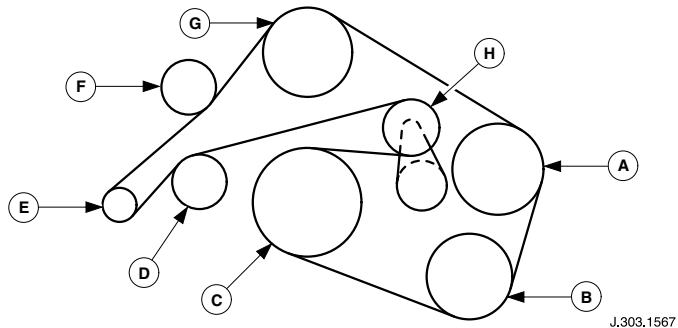
J.303.1565

- A = Power Steering Pump
- B = Air Conditioning Compressor
- C = Crankshaft Pulley
- D = Idler

- E = Generator
- F = Coolant Pump
- G = Tensioner

V8 Gasoline (S-TYPE up to 2002.5 MY)

Notes



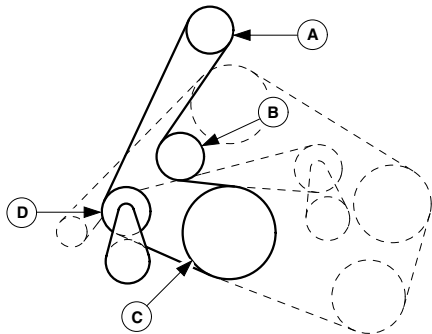
J.303.1567

- A = Power Steering Pump
- B = Air Conditioning Compressor
- C = Crankshaft Pulley
- D = Idler

- E = Generator
- F = Idler
- G = Coolant Pump
- H = Tensioner

V8 Gasoline Supercharged (XJ and XK, also S-TYPE 2002.5 MY onwards)

Notes

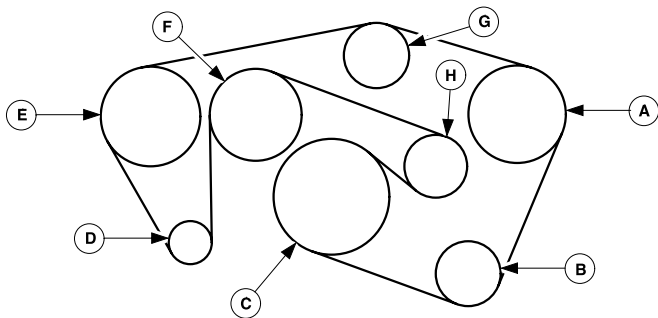


J.303.1566

- A = Supercharger
- B = Idler
- C = Crankshaft Pulley
- D = Tensioner

## V6 Gasoline (S-TYPE and X)

Notes



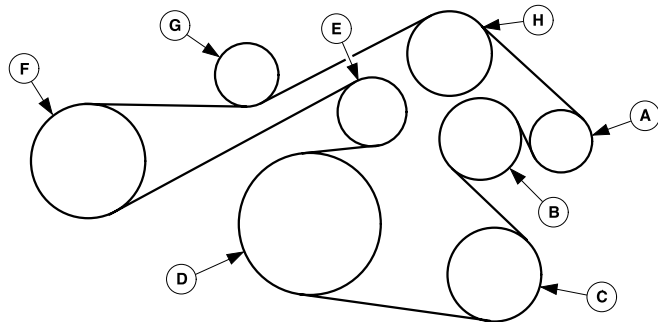
J.303.1564

- A = Power Steering Pump
- B = Air Conditioning Compressor
- C = Crankshaft Pulley
- D = Generator

- E = Idler Pulley
- F = Coolant Pump
- G = Idler Pulley
- H = Tensioner

## V6 Gasoline (X-TYPE)

Notes

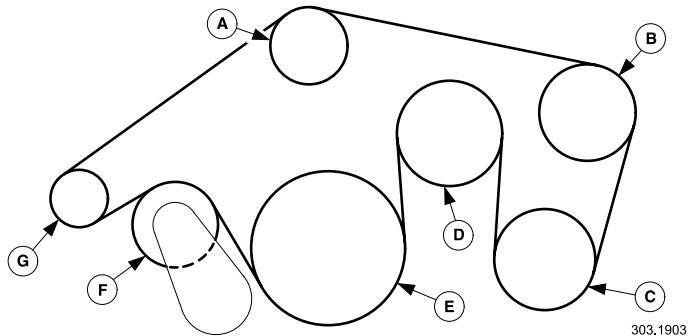


D.303.1591

- |  |                                |
|--|--------------------------------|
| <b>A</b> = Generator                   | <b>E</b> = Tensioner           |
| <b>B</b> = Idler Pulley                | <b>F</b> = Power Steering Pump |
| <b>C</b> = Air Conditioning Compressor | <b>G</b> = Idler Pulley        |
| <b>D</b> = Crankshaft Pulley           | <b>H</b> = Idler Pulley        |

## V6 Diesel (S-TYPE)

Notes

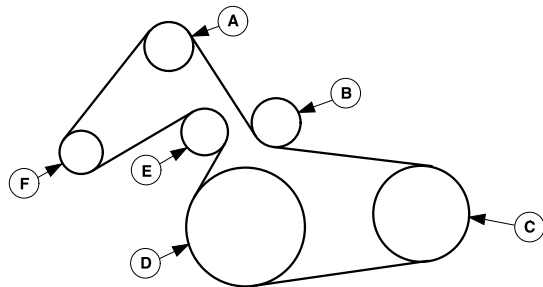


- A = Idler Pulley
- B = Power Steering Pump
- C = Air Conditioning Compressor
- D = Coolant Pump

- E = Crankshaft Pulley
- F = Tensioner
- G = Generator

## 2.0 Liter Diesel (X-TYPE)

Notes



303.1755

- A = Idler pulley
- B = Idler pulley
- C = Compressor pulley

- D = Crankshaft pulley
- E = Tensioner pulley
- F = Generator pulley





The illustrations, technical information, data and descriptive text in this issue, to the best of our knowledge, were correct at the time of going to print.

No part of this publication may be copied, reproduced, stored in a data processing system, nor transmitted by electronic, mechanical, photographic or any other means. The storage or translation of this publication and the editing, in summary or expanded form is not permitted except with prior written permission of Jaguar Cars Ltd. The same conditions apply to parts of this publication and their use in other publications.

No liability can be accepted for any inaccuracies or omissions in this publication, although every possible care has been taken to make it as complete and accurate as possible.

Issued by:  
Jaguar Cars Limited  
Technical Communications  
Browns Lane  
Coventry  
CV5 9DR

