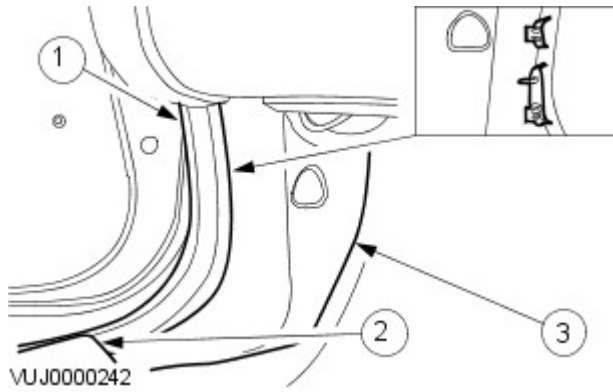


Interior Trim and Ornamentation - Cowl Side Trim Panel

Removal and Installation

Removal



1. Remove the cowl side trim panel.

1. Detach the door aperture weather strip.
2. Detach the scuff panel trim.
3. Remove the cowl side trim panel.

Installation


1. To install reverse the removal procedure.

Multifunction Electronic Modules - Generic Electronic Module (GEM)

Removal and Installation

Removal

1. CAUTIONS:

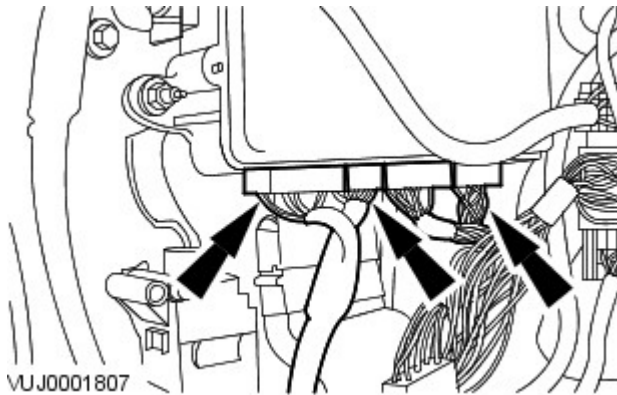
 Prior to removal of the module, it is necessary to upload module configuration information to the PDU. This information needs to be downloaded into the new module once installed. For additional information, refer to Section [418-01 Module Configuration](#)

 Electronic modules are sensitive to static electrical charges. If exposed to these charges, damage may result.

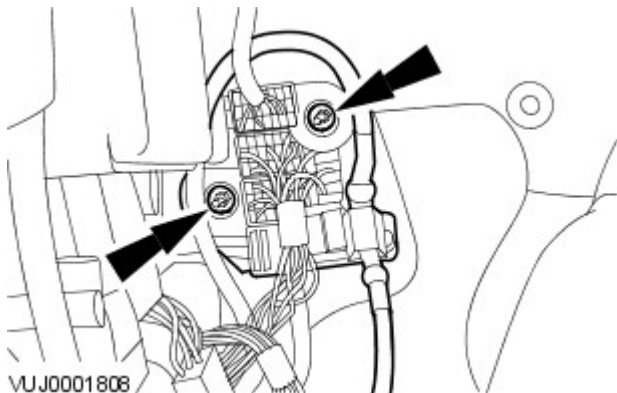
Disconnect the battery ground cable.

2. Remove the cowl side trim panel. For additional information, refer to Section [501-05 Interior Trim and Ornamentation](#)

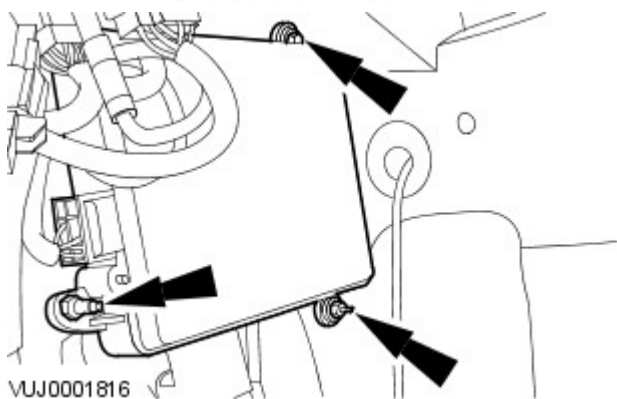
3. Disconnect the general electronic module (GEM) electrical connectors.



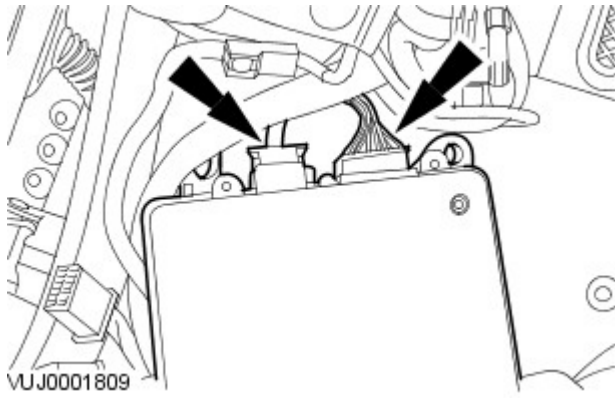
4. Detach the secondary junction box (SJB).



5. Detach the GEM.



6. Remove the GEM.



- Disconnect the electrical connectors.

Installation

1. To install, reverse the removal procedure.

