

S-TYPE

Satellite Radio System

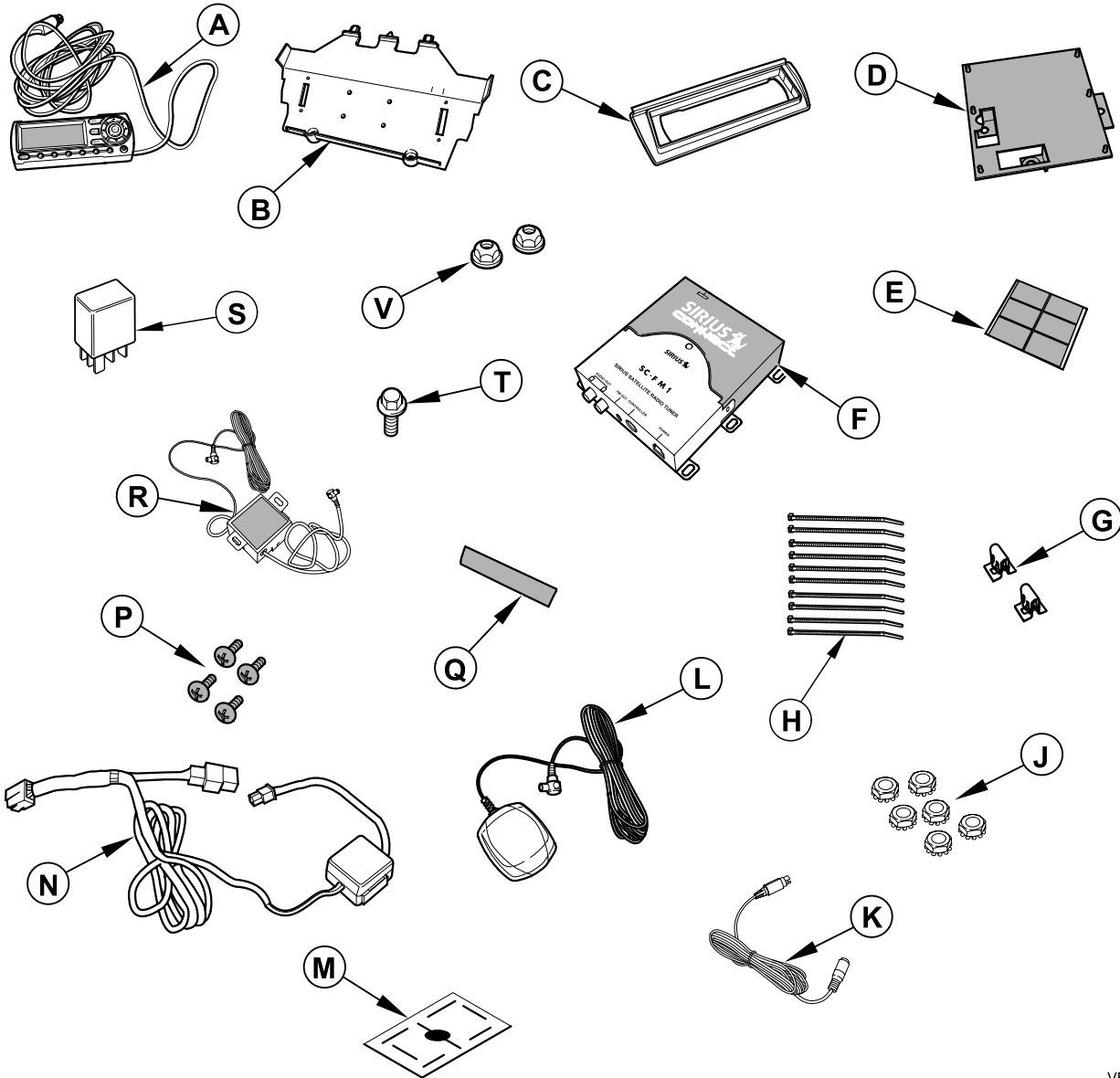
Information

Jaguar accessory fitting instructions can be found at the URL below:

www.jaguartechno.com/extfree2viewjagprod/index.jsp

S-Type

Satellite Radio



VFAR1205

**Parts Required
(Ordered Separately)**

- | | | |
|----------------------------|---------------------------------|----------------------------|
| A. Control Unit | H. Cable ties (10) | P. Control unit screws (4) |
| B. Control unit base | J. Nuts (6) | Q. Antenna protection tape |
| C. Unit Cover | K. Control Unit Extension Cable | R. FM Switching box |
| D. Satellite tuner bracket | L. Satellite antenna | S. Relay |
| E. Adhesive Foam Pads (12) | M. Template | T. Bolt |
| F. Satellite radio tuner | N. Power supply loom | V. Nuts (2) |
| G. Unit cover clips (2) | | |

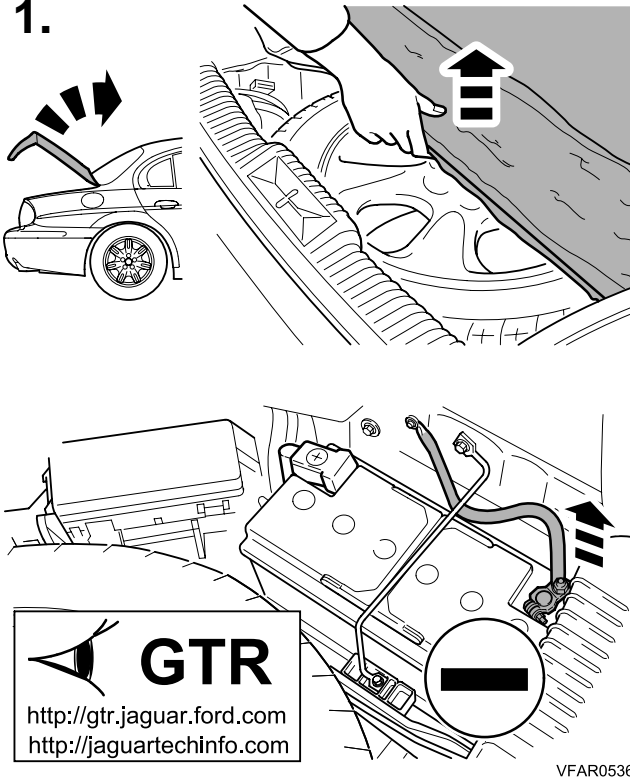
MY 2002 ➔

Part No. **5R83-19C120-BB**

S-Type

Satellite Radio

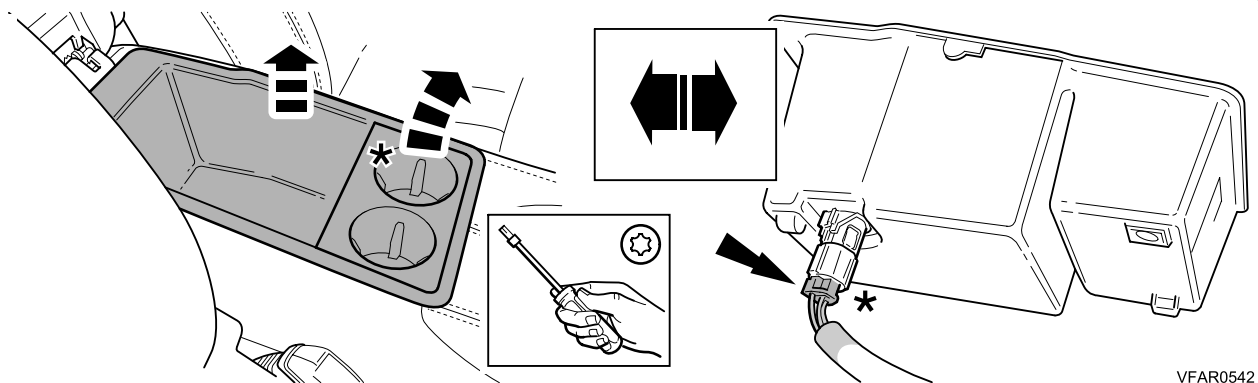
1.



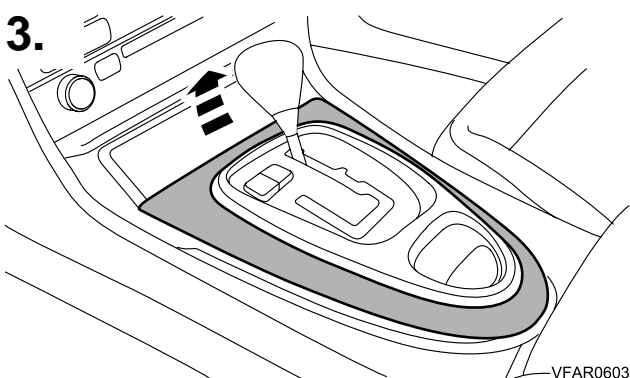
Notes:

1. Refer to GTR / Owners manual as to the correct procedure for battery disconnect / reconnect.

2.

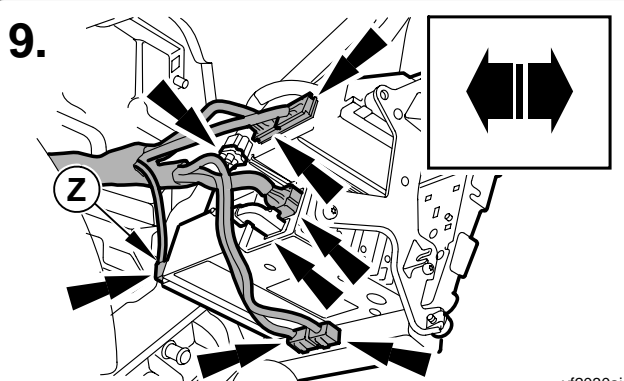
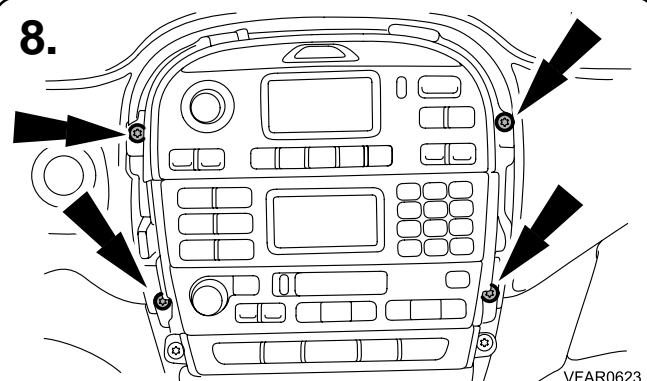
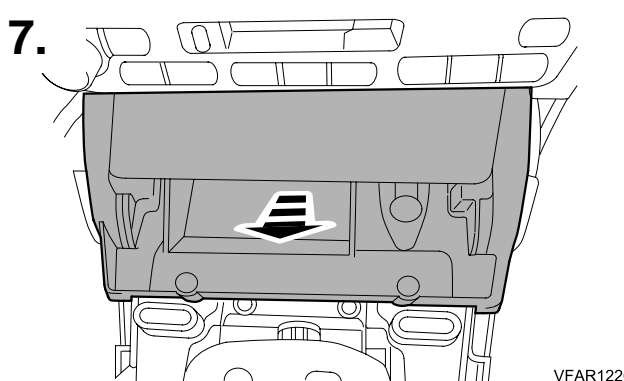
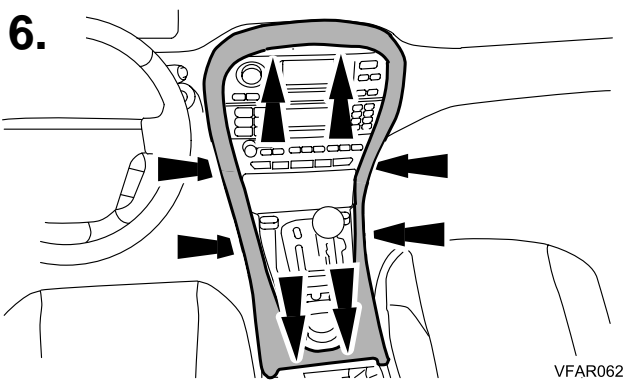
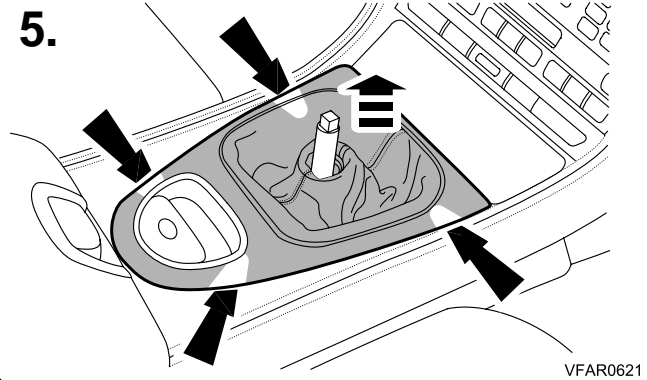
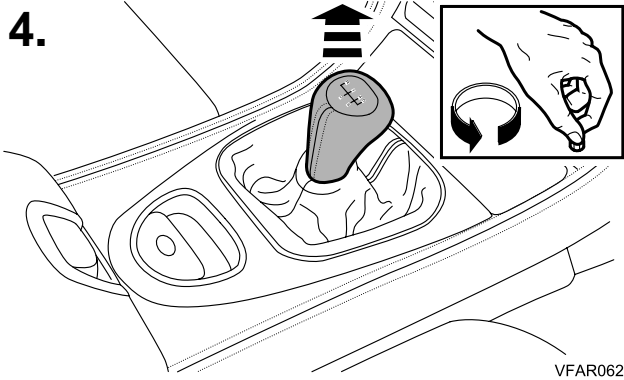


3.



S-Type

Satellite Radio



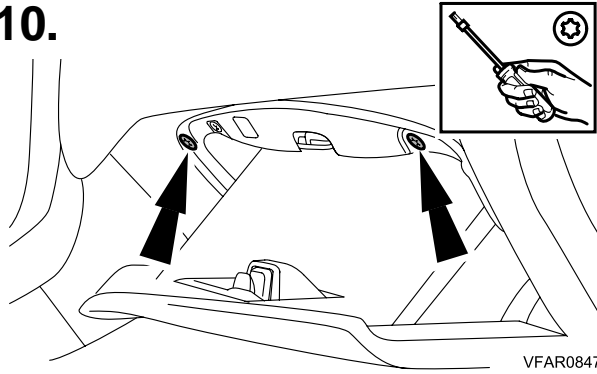
Notes:

9. When removing the centre stack, take care not to scratch the vehicle

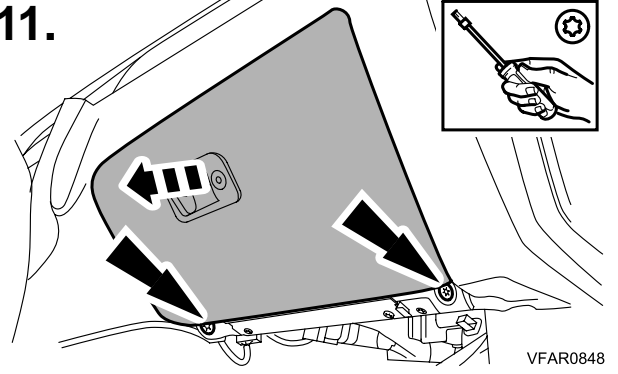
S-Type

Satellite Radio

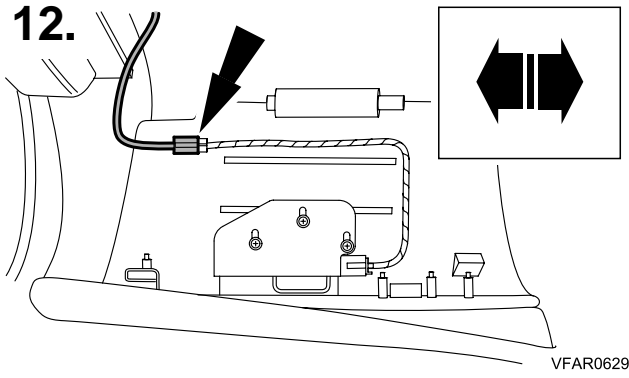
10.



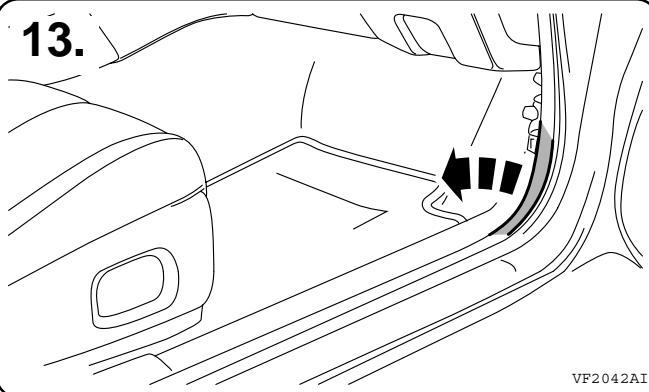
11.



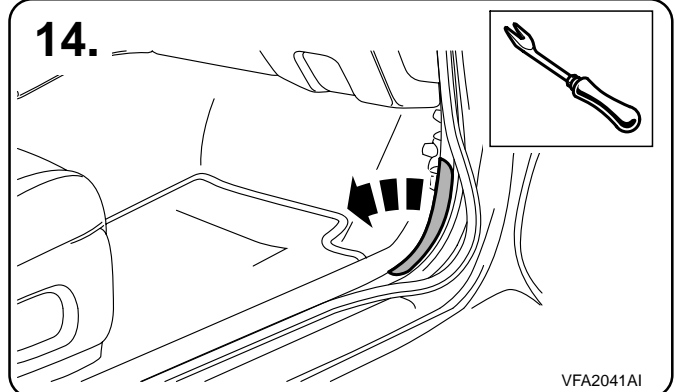
12.



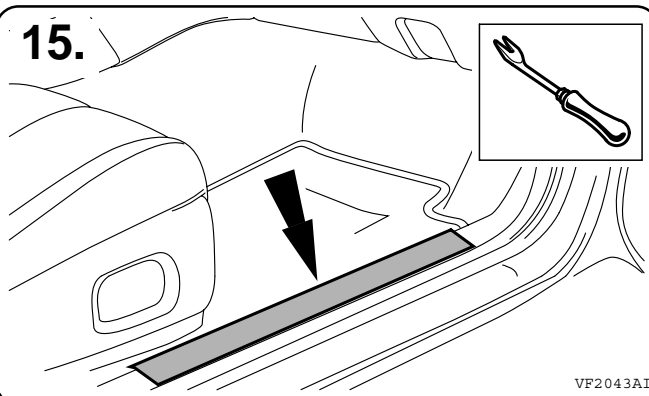
13.



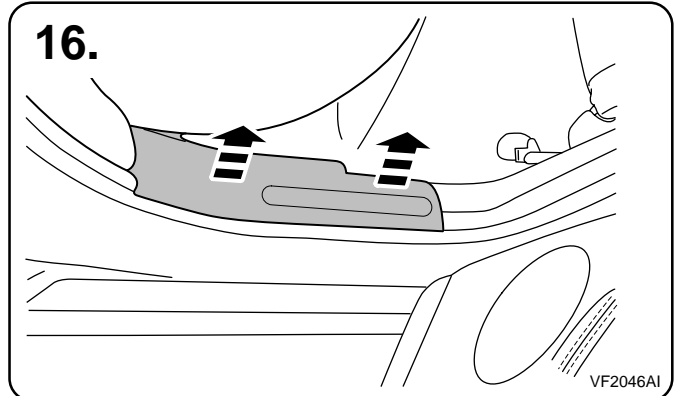
14.



15.



16.



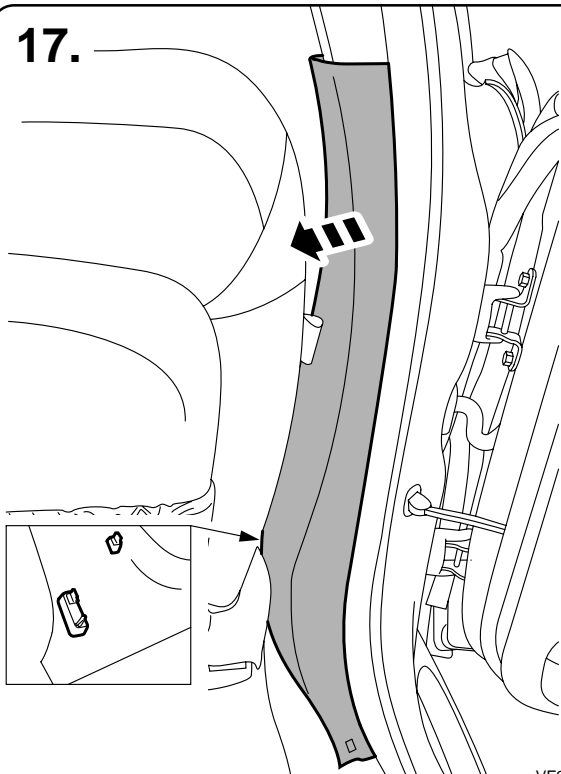
MY 2002 →

Part No. 5R83-19C120-BB

S-Type

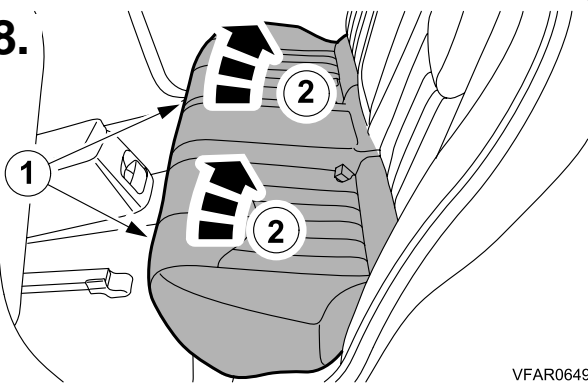
Satellite Radio

17.



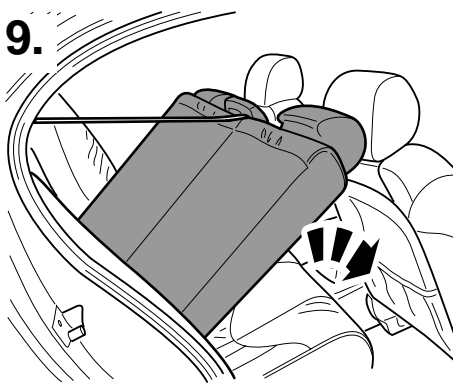
VF2047AI

18.



VFAR0649

19.

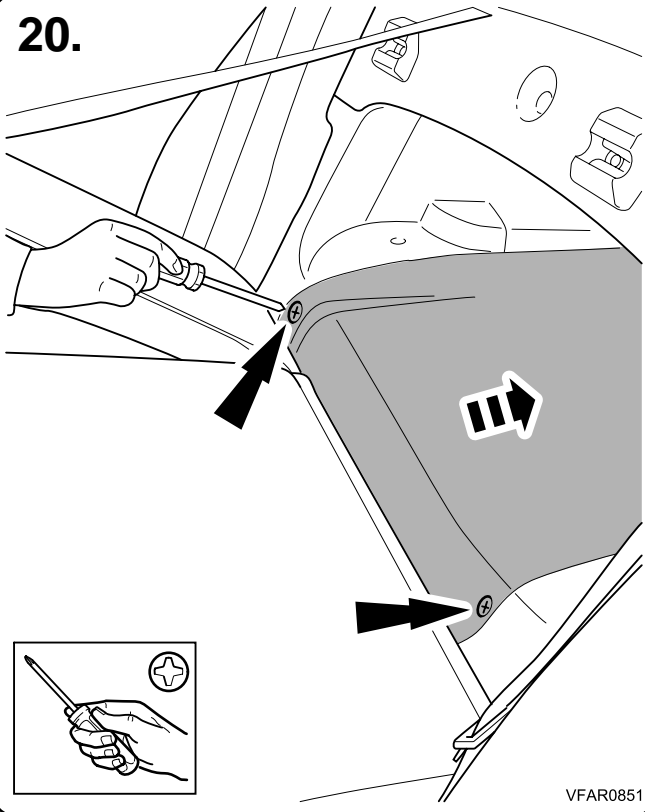


VFAR0850

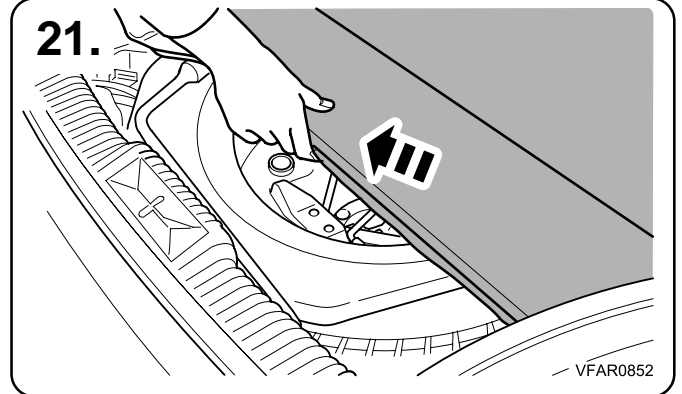
S-Type

Satellite Radio

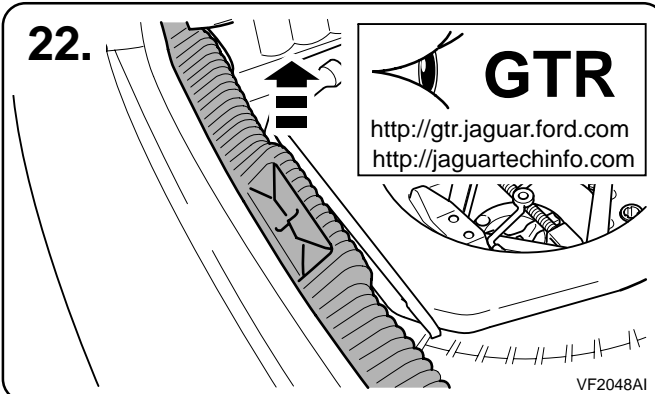
20.



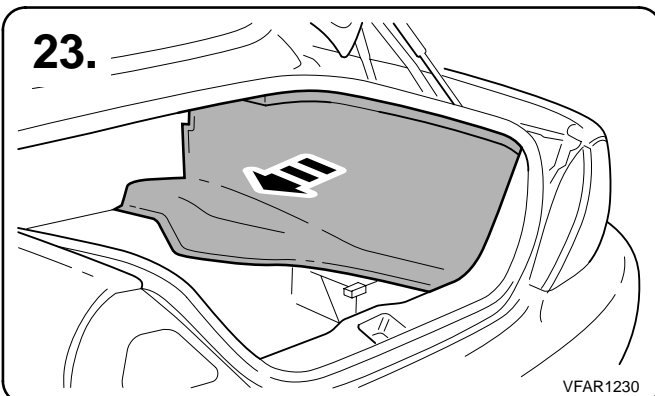
21.



22.



23.



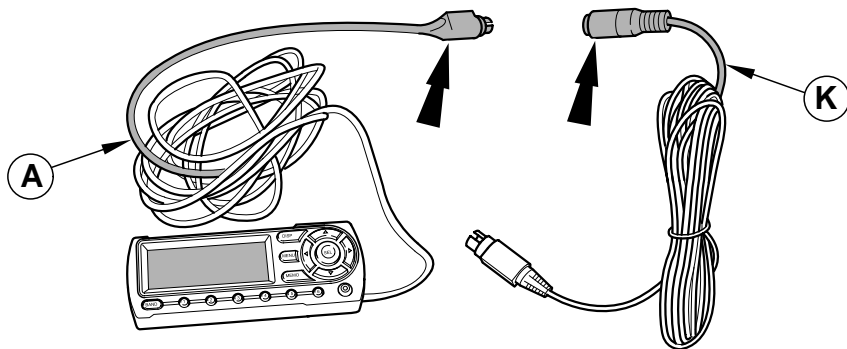
Notes:

23. Remove the right hand side trunk trim.

S-Type

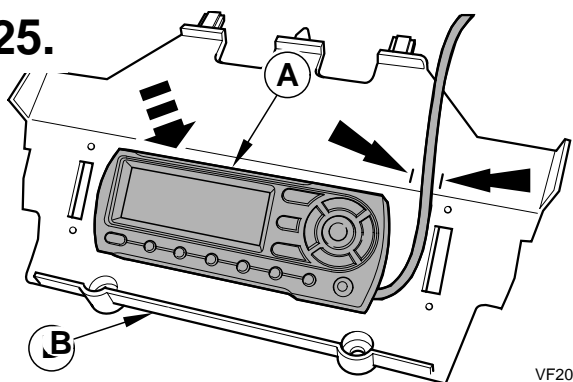
Satellite Radio

24.



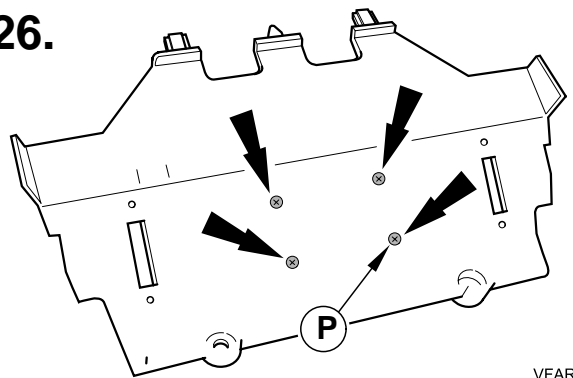
VFAR1165

25.



VF2035AI

26.

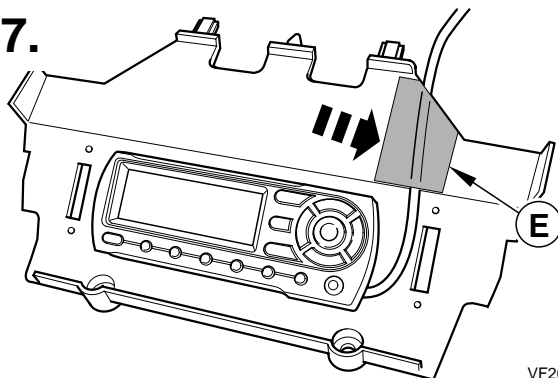


VFAR1166

Caution:

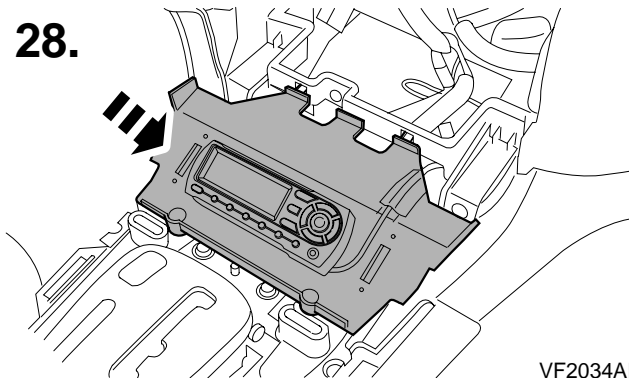
26. Take care not to over-tighten the bolts securing the display to the cradle.

27.



VF2033AI

28.

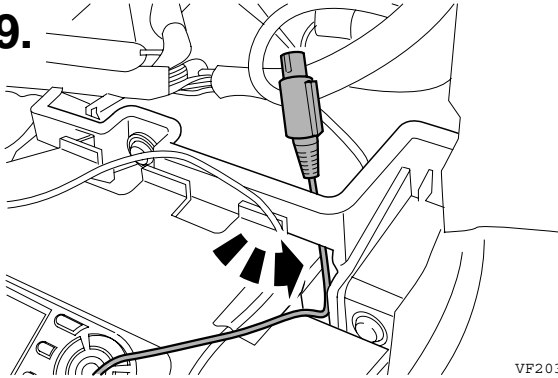


VF2034AI

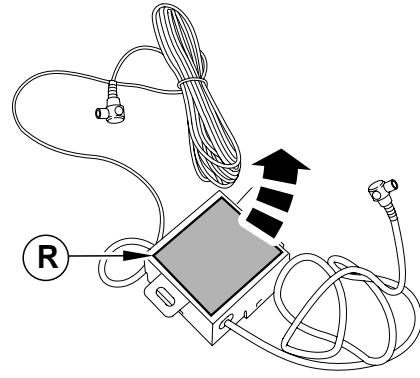
S-Type

Satellite Radio

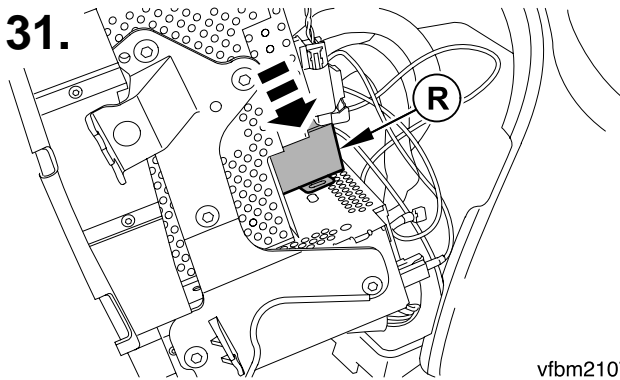
29.



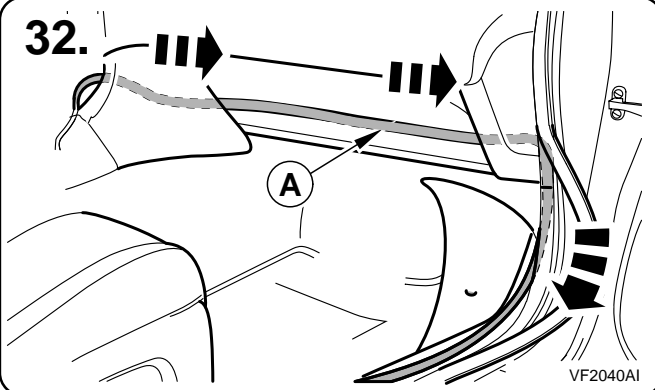
30.



31.



32.



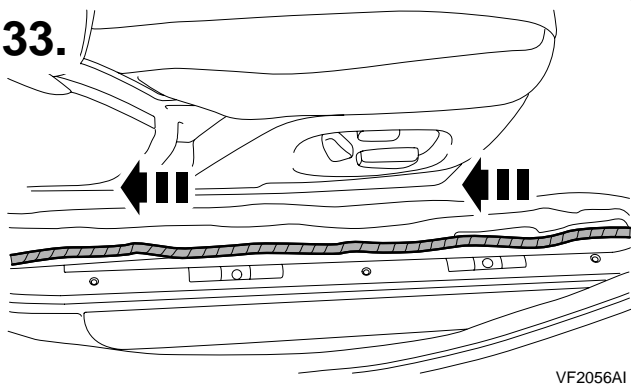
Notes:

32. Route the controller and antenna junction box loom behind the dashboard, and secure using cable ties as required.

S-Type

Satellite Radio

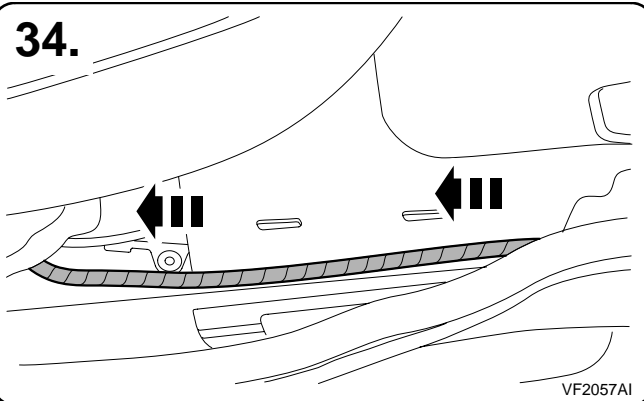
33.



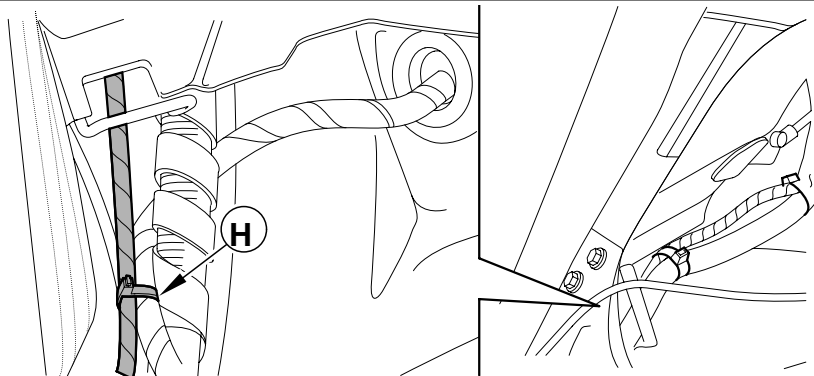
Notes:

33 - 35. Route the controller and antenna junction box loom along the passenger side of the vehicle, and into the trunk area.

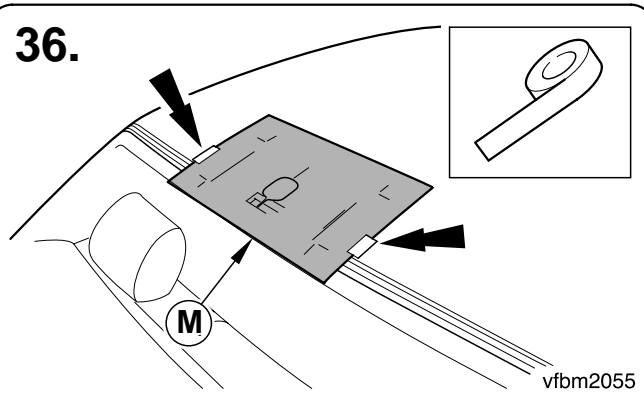
34.



35.



36.



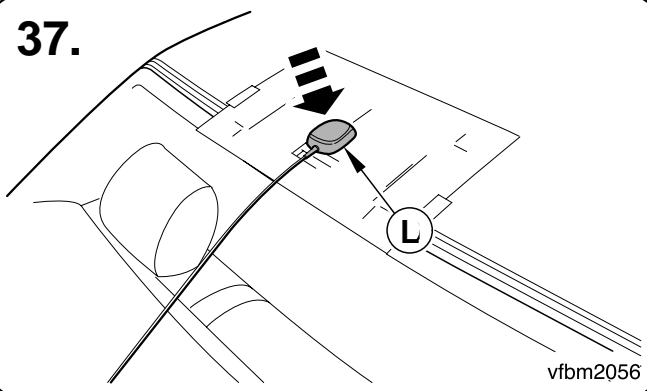
Notes:

36. Following the instructions on the template -fit it to the rear of the roof of the vehicle.

S-Type

Satellite Radio

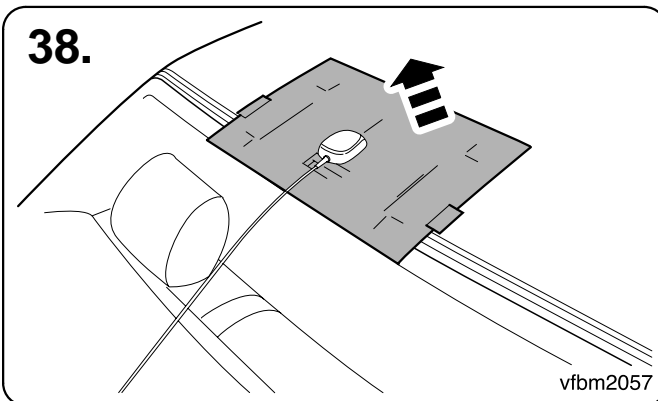
37.



Notes:

37. Fit the satellite antenna to the roof of the vehicle.

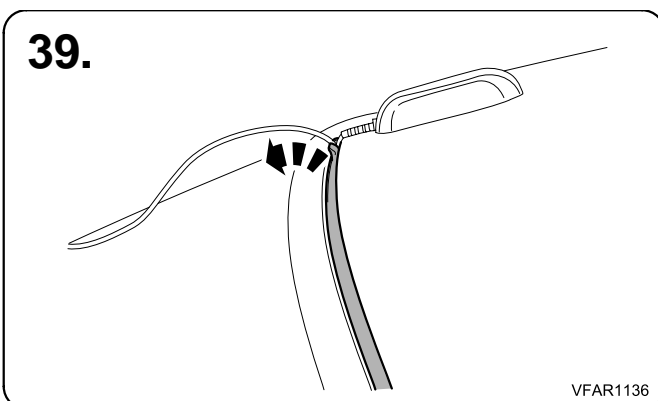
38.



Caution:

39 - 46. The following operations show the process of fitting the antenna around the vehicle seal. Care must be taken not to damage the Rear windscreen seal during these operations, as such it is recommended to use a suitable non metallic tool, to avoid damaging the seal, and antenna cable.

39.



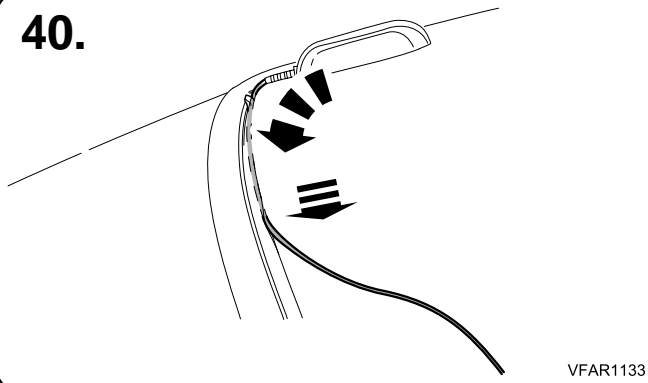
Notes:

39. Using a suitable non metallic tool, pull the rear wind screen seal back, to insert the antenna behind the seal.

S-Type

Satellite Radio

40.



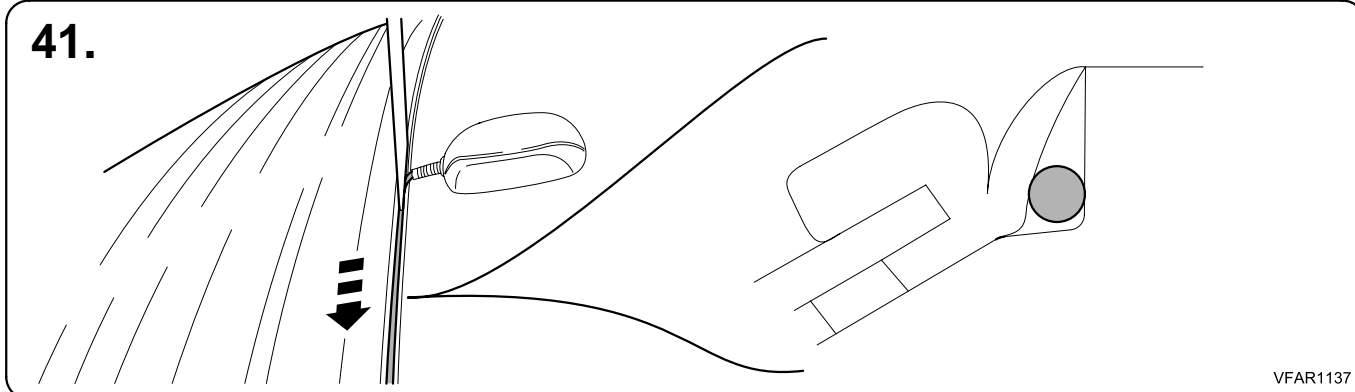
Notes:

40. Gradually feed the antenna behind the seal starting from the centre and working towards the passenger side.

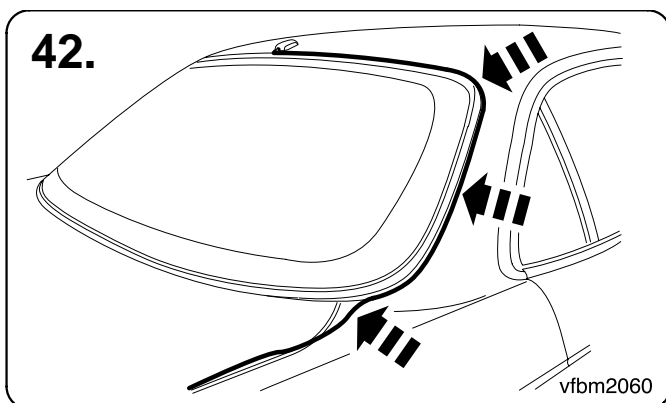
Notes:

41. Using a suitable non metallic tool fully insert the antenna into the space between the seal and the car's body.

41.



42.



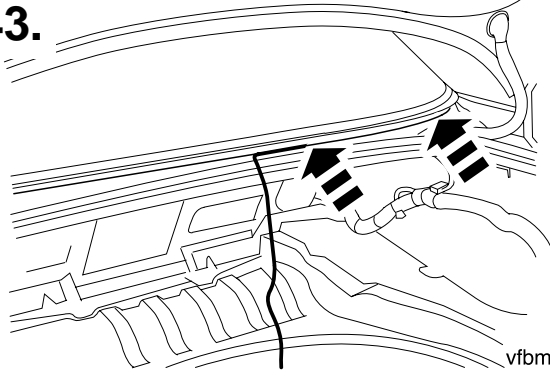
Notes:

42. Insert the antenna cable round the rear windscreen seal to approximately the centre of the trunk.

S-Type

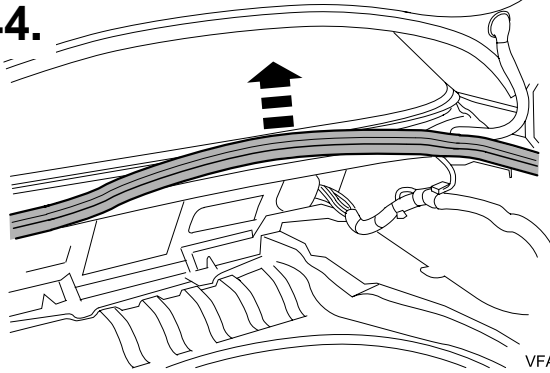
Satellite Radio

43.



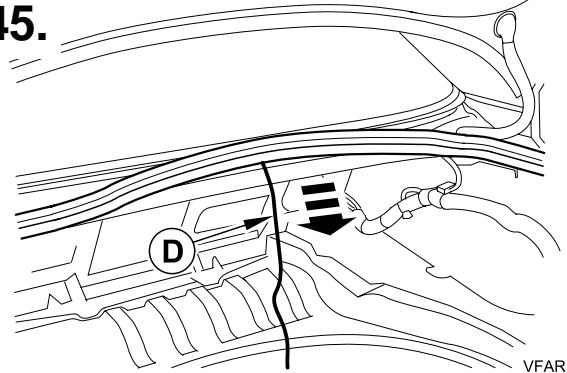
vfbm2061

44.



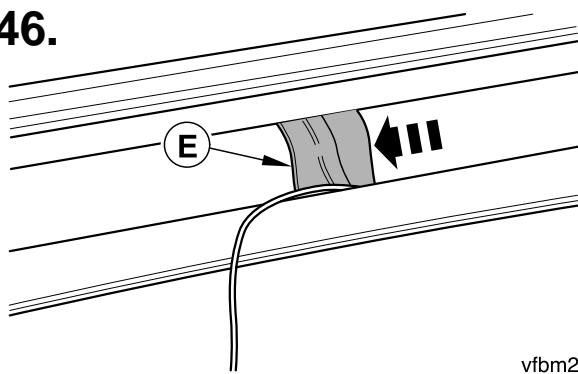
VFAR1138

45.



VFAR1139

46.

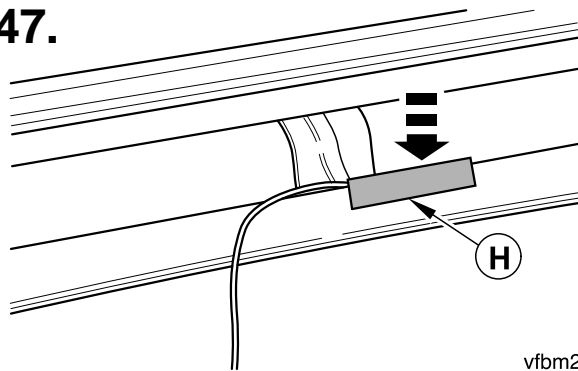


vfbm2065

Notes:

46. Apply adhesive foam to over the antenna cable to the vehicle, ensuring that some of the tape is under the windscreen seal.

47.



vfbm2064

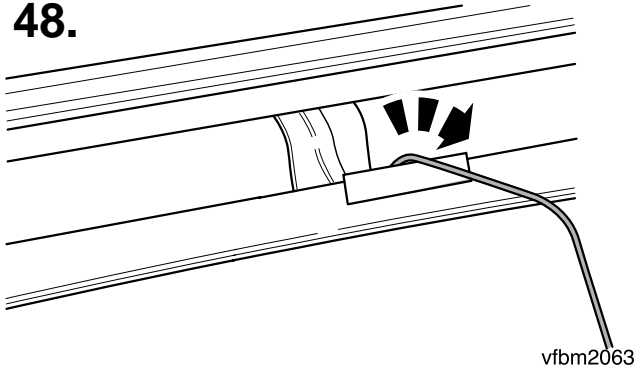
Notes:

47. Fit the antenna cable protection rubber to the rear trunk lip.

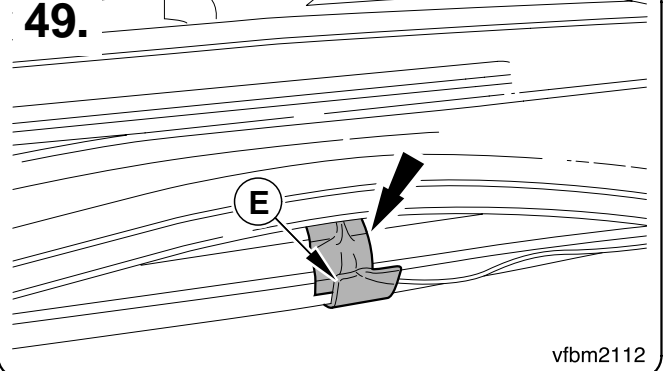
S-Type

Satellite Radio

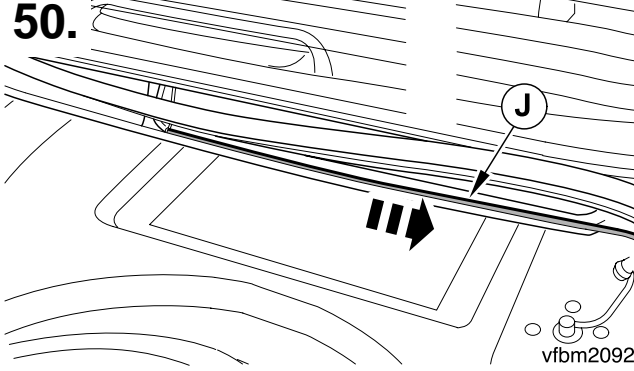
48.



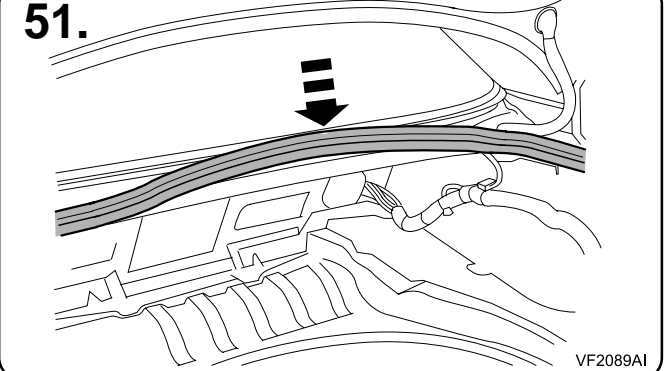
49.



50.



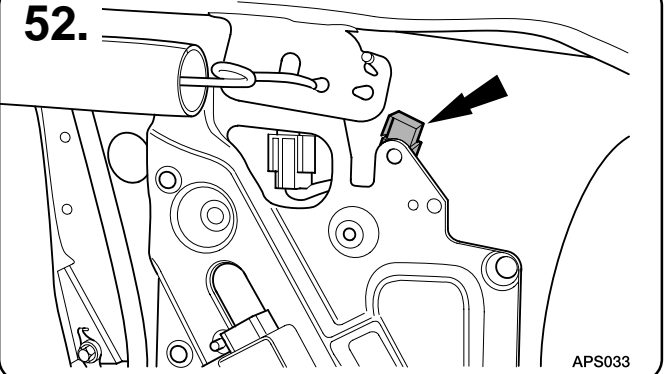
51.



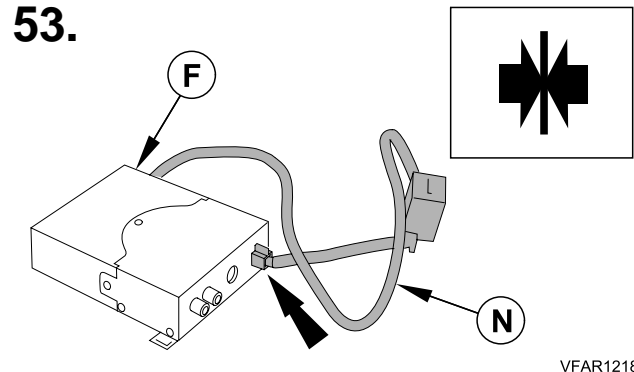
Notes:

52. Locate the auxiliary power supply in the boot area, and remove the blanking plug.

52.



53.



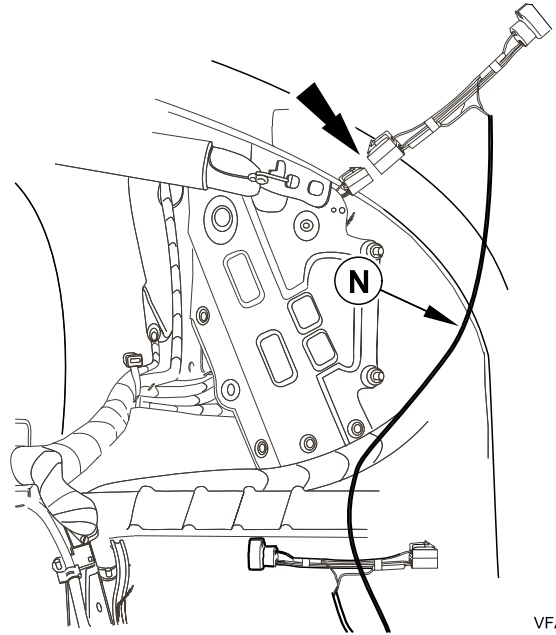
S-Type

Satellite Radio

Notes:

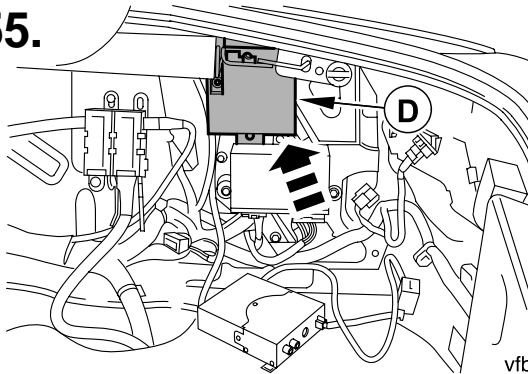
54. Connect the satellite power supply loom to the auxiliary power socket.

54.



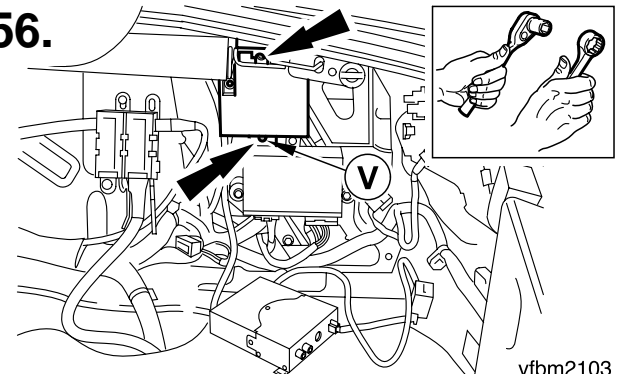
VFAR1095

55.



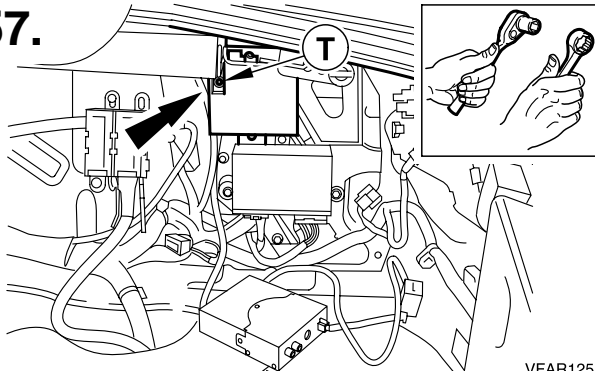
vfbm2103

56.



vfbm2103

57.



VFAR1255

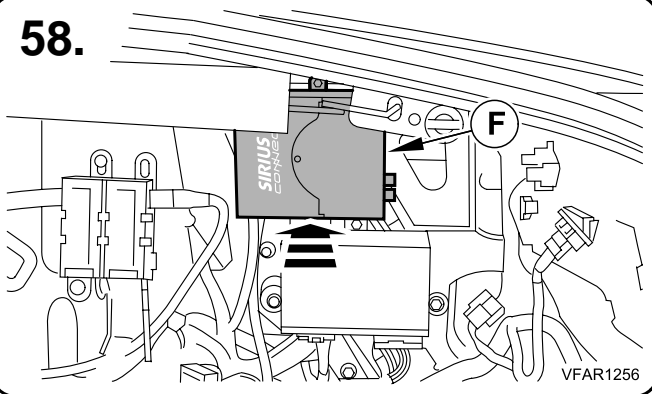
MY 2002 →

Part No. 5R83-19C120-BB

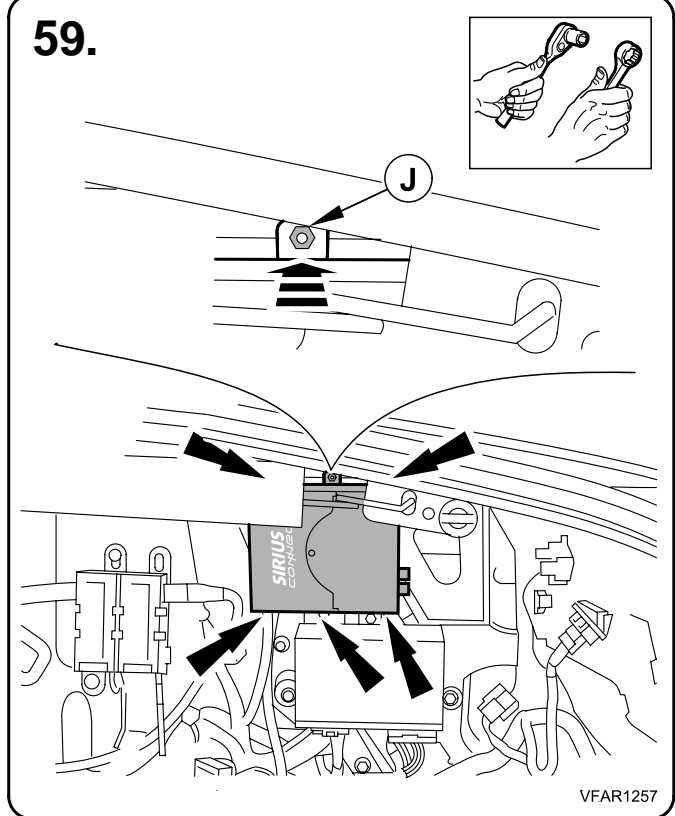
S-Type

Satellite Radio

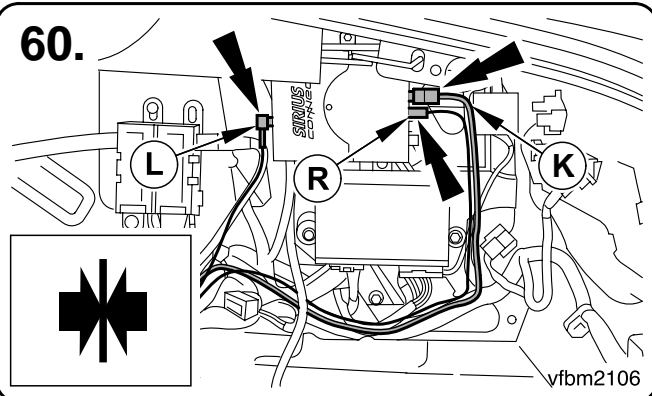
58.



59.



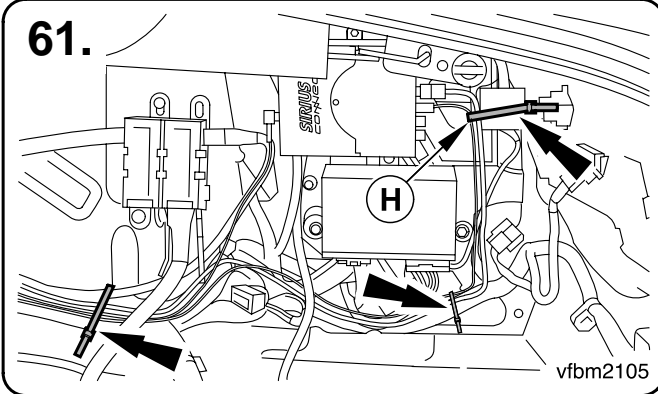
60.



S-Type

Satellite Radio

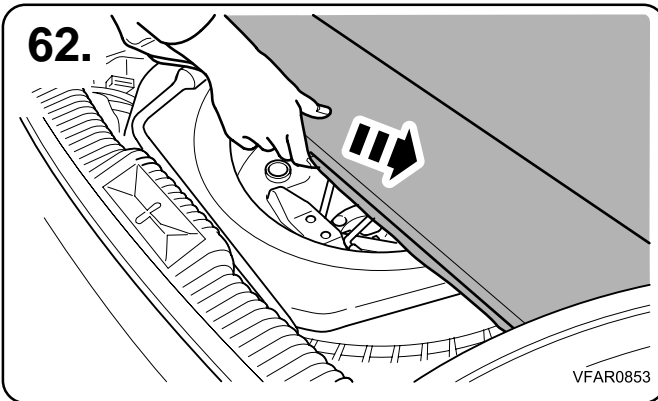
61.



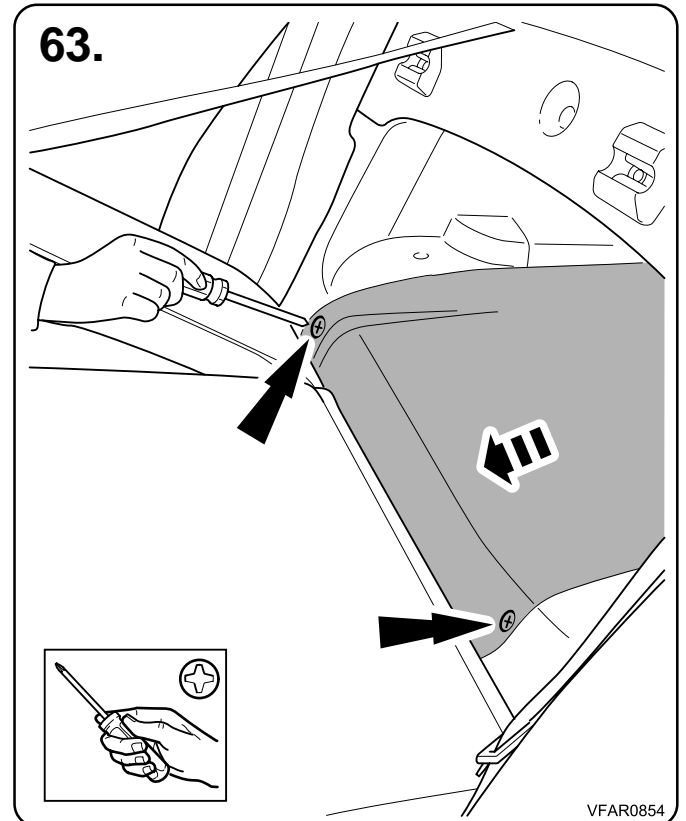
Notes:

61. Secure the controller, antenna, FM switching box, and power harnesses to the vehicle's loom, using the supplied cable ties.

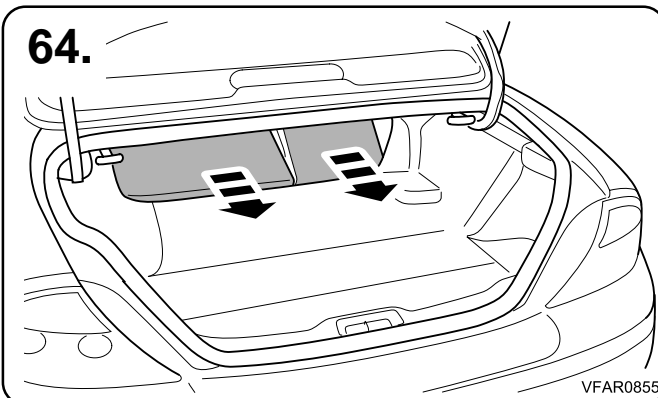
62.



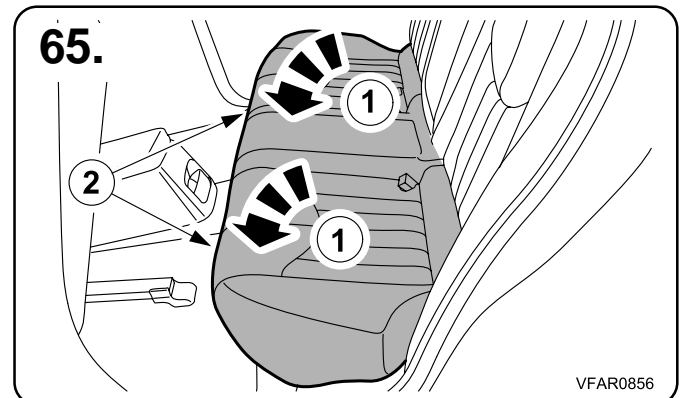
63.



64.



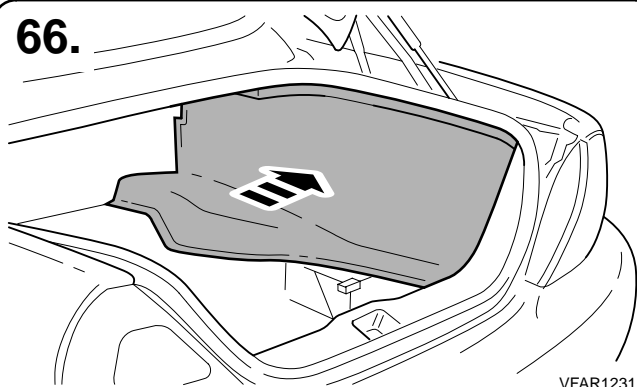
65.



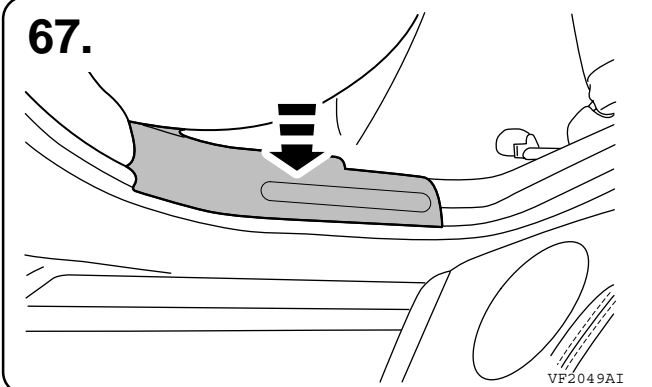
S-Type

Satellite Radio

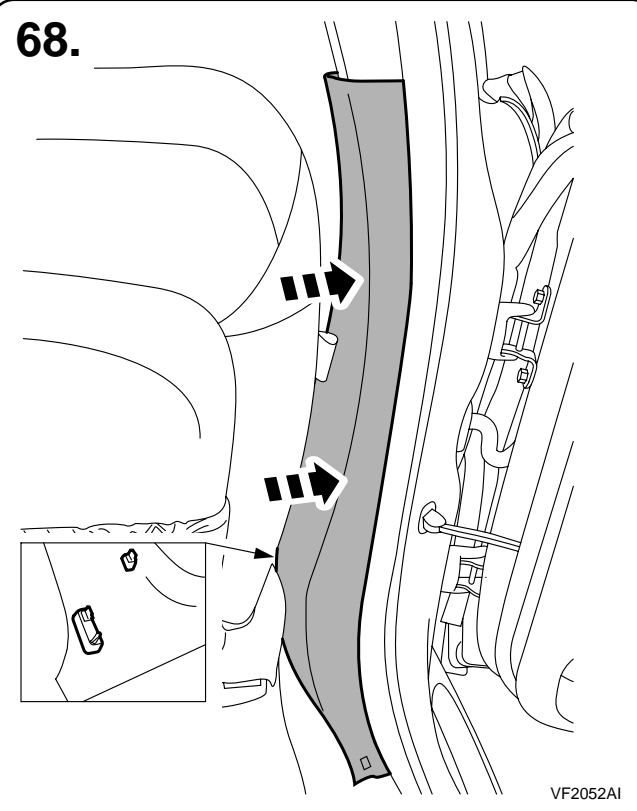
66.



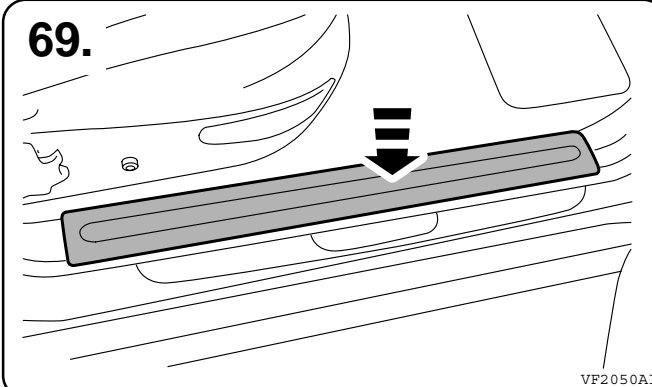
67.



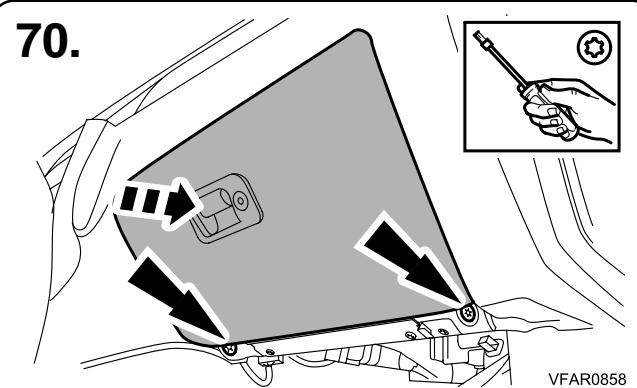
68.



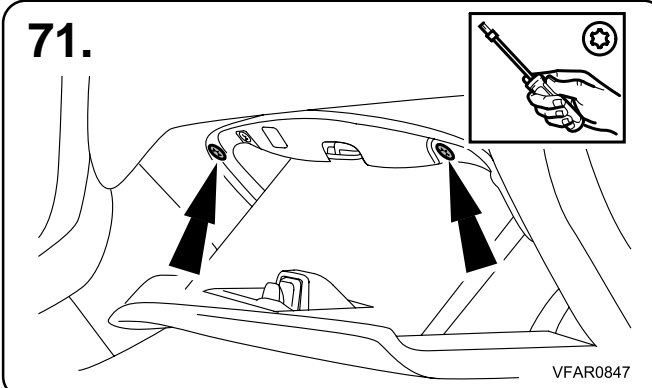
69.



70.



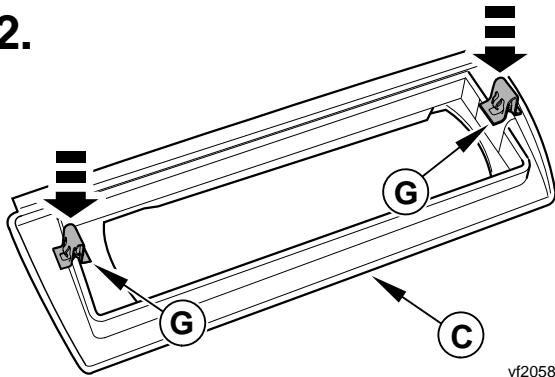
71.



S-Type

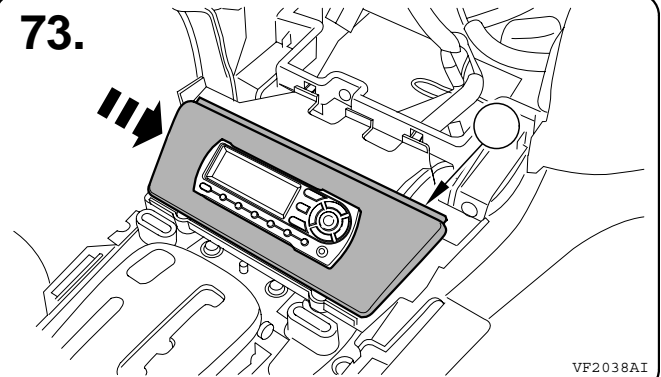
Satellite Radio

72.



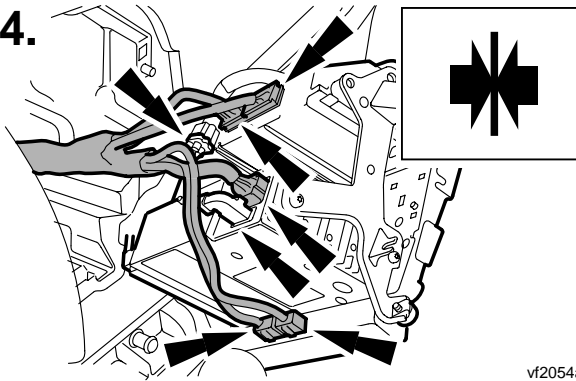
vf2058ai

73.



VF2038AI

74.

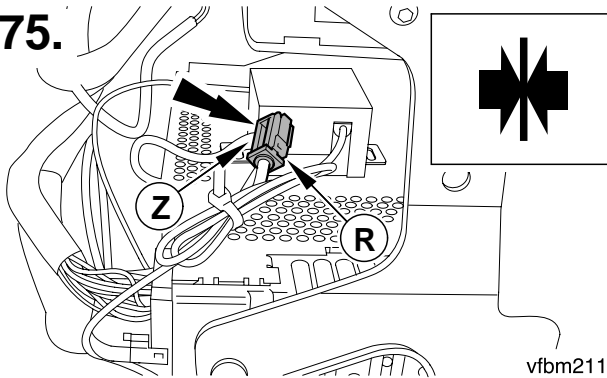


vf2054ai

Notes:

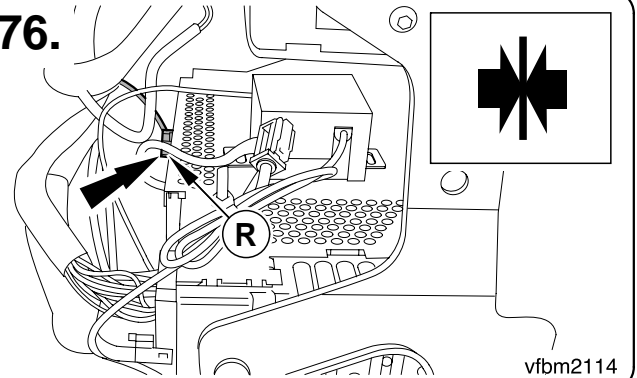
74. Reconnect the centre stack electrical connections.

75.



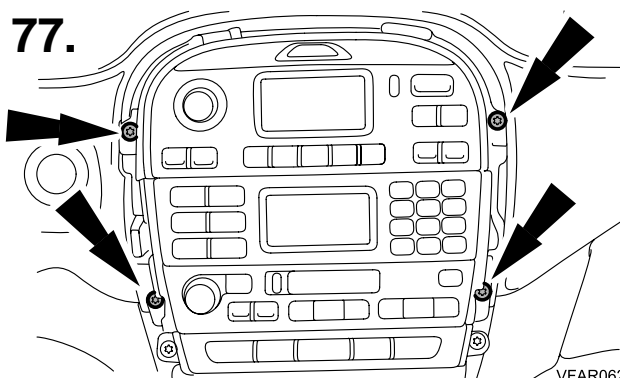
vfbm2115

76.



vfbm2114

77.



VFAR0623

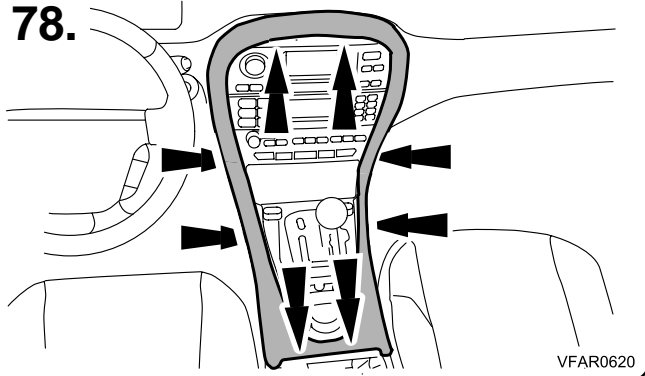
Notes:

77. Refit the centre stack taking care to not scratch or damage the vehicle trim.

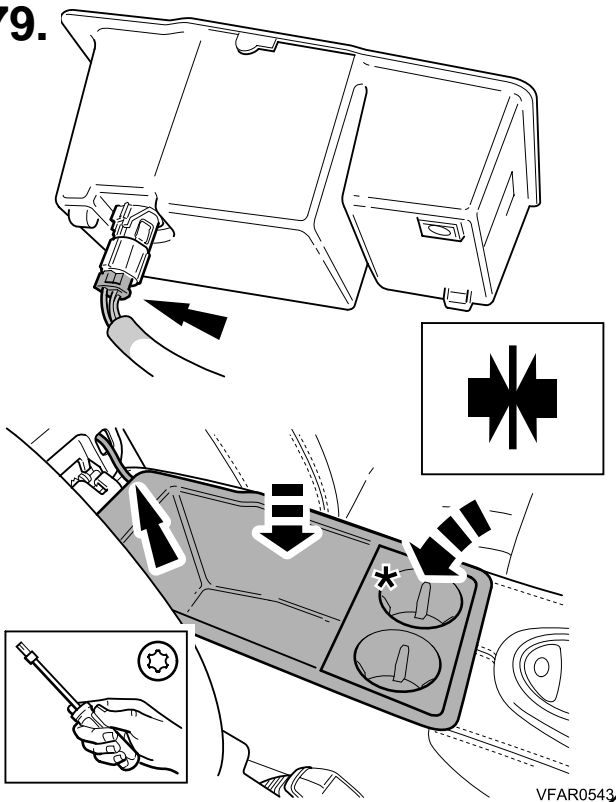
S-Type

Satellite Radio

78.



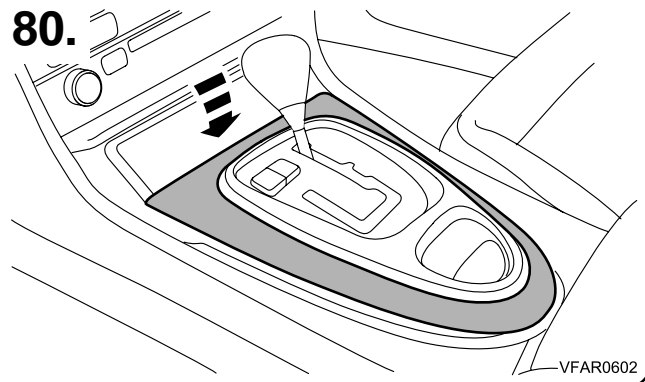
79.



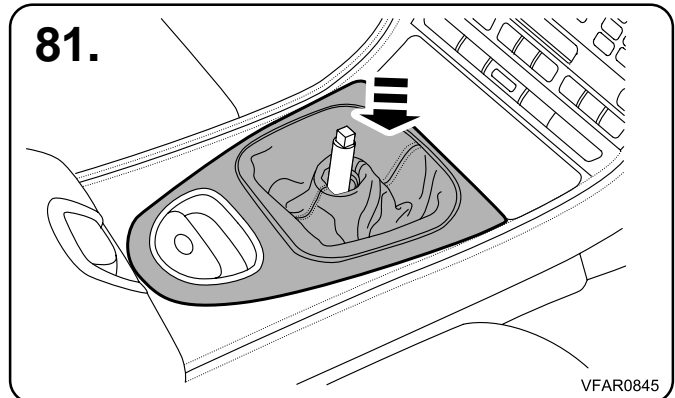
Notes:

79. *If fitted

80.



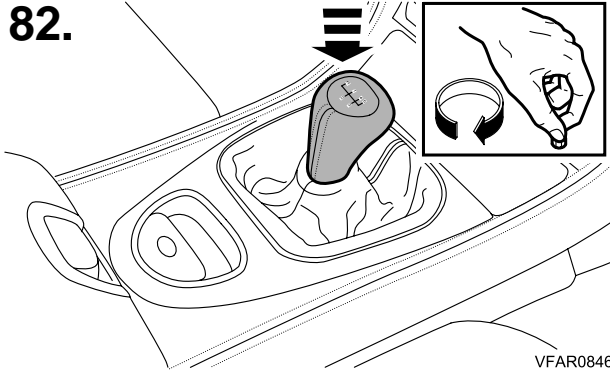
81.



S-Type

Satellite Radio

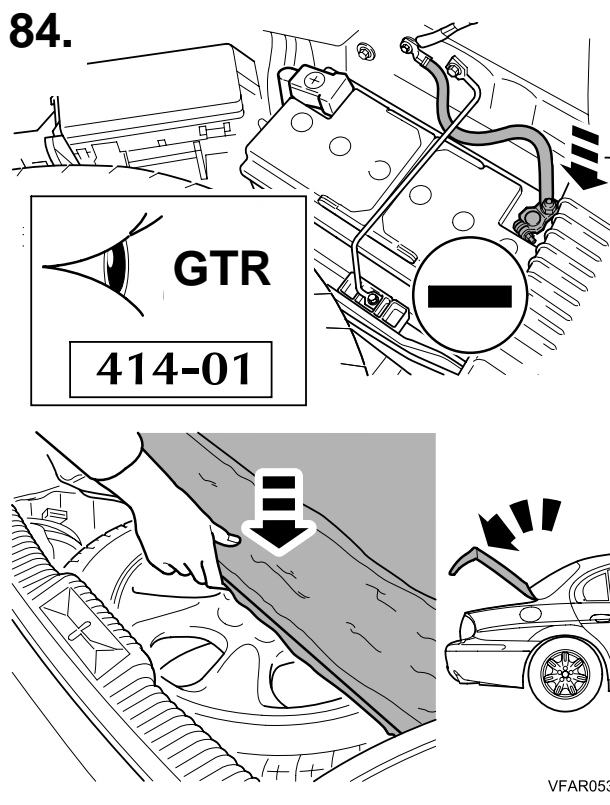
82.



Notes:

83. Install auxiliary relay "S", if not already fitted. Refer to GTR for correct location.

84.



Notes:

84. Refer to GTR / Owners manual, regarding the correct procedure for battery, disconnect / reconnect.



Fitting Instructions

S-Type

Satellite Radio

Testing the Sirius receiver

1. Make sure that the antenna has an unobstructed view of the sky to receive the SIRIUS satellite signal.
2. Press the POWER button to turn the Display Control Unit ON. After displaying the SIRIUS logo, the unit will update all the SIRIUS channels. The display will read "UPDATING CHANNELS" on the top line and "X% Completed" (0%-20%-40%-60%-80%-100%) on the bottom line until the update completes.

NOTE: Do not push any buttons or perform any operations until updating has been completed.

3. Once updated and the SIRIUS channels are received, the display will change to "Call 1-888-539-SIRIUS to Subscribe" and will place you in The Preview Channel. Channel 184 is SIRIUS' preview channel. You will not be able to tune to any other channels until the SIRIUS subscription has been activated by the customer.
4. Turn the radio on to FM and tune the Radio to 93.1Mhz, confirm The Preview Channel, audio information can be heard.