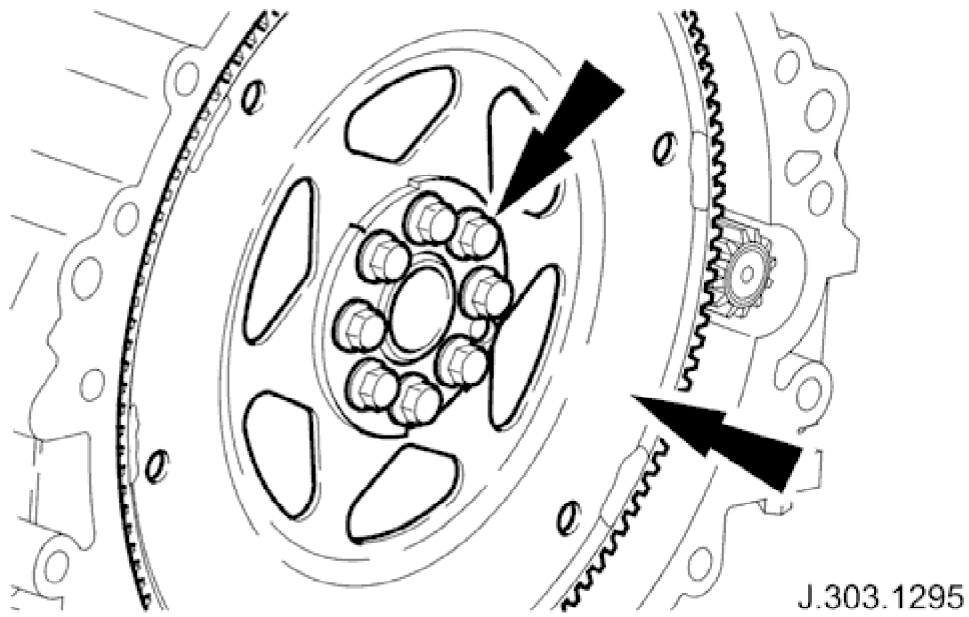


Flexplate 12.53.13

Removal

1. Remove the automatic transmission. For additional information, refer to<<307-01>>

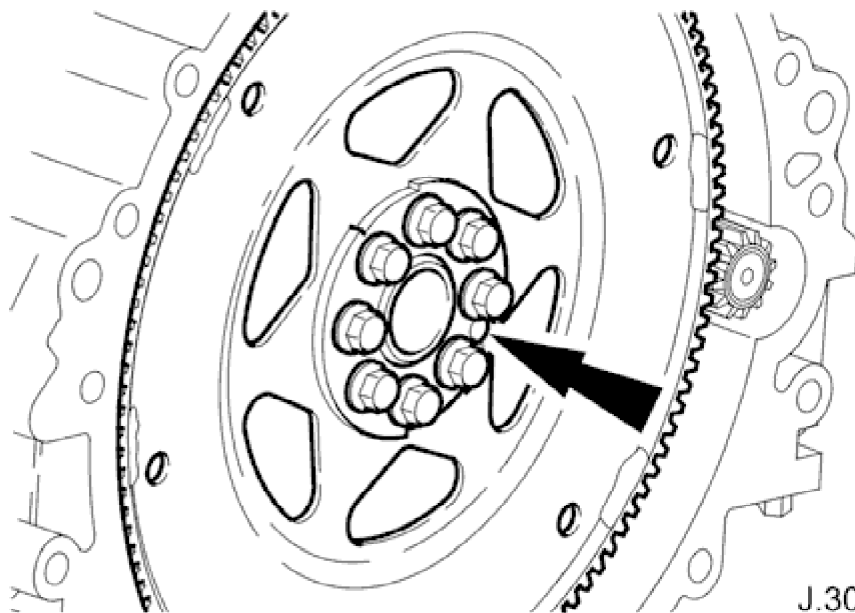


2. **NOTE:**
Prevent the flexplate from rotating.

Remove the flexplate.

Installation

2003 S-TYPE - Engine - 4.2L - 303-01B



1. NOTE:

Make sure the crankshaft and flexplate mating faces are clean before installation.

NOTE:

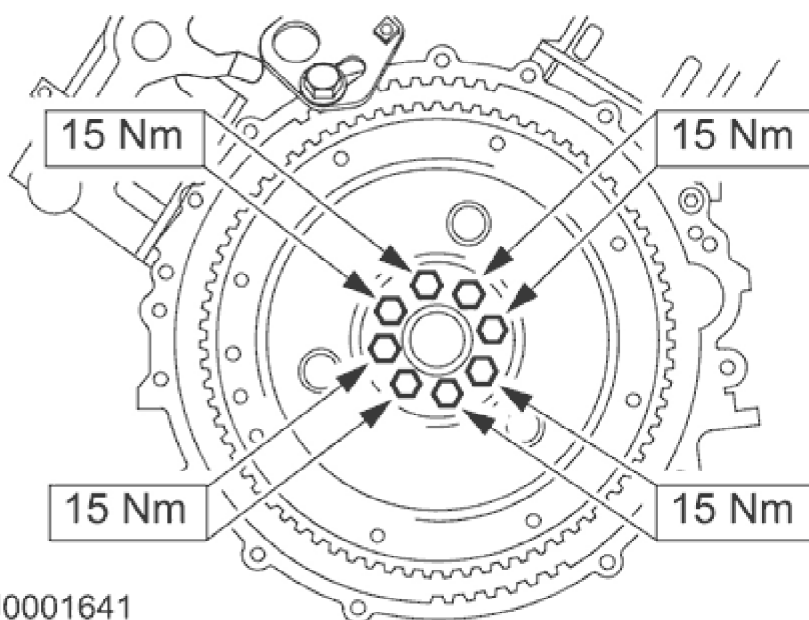
The flexplate will only locate in one position.

NOTE:

Install, but do not tighten, the flexplate retaining bolts.

Install the flexplate.

- Prevent the flexplate from rotating.



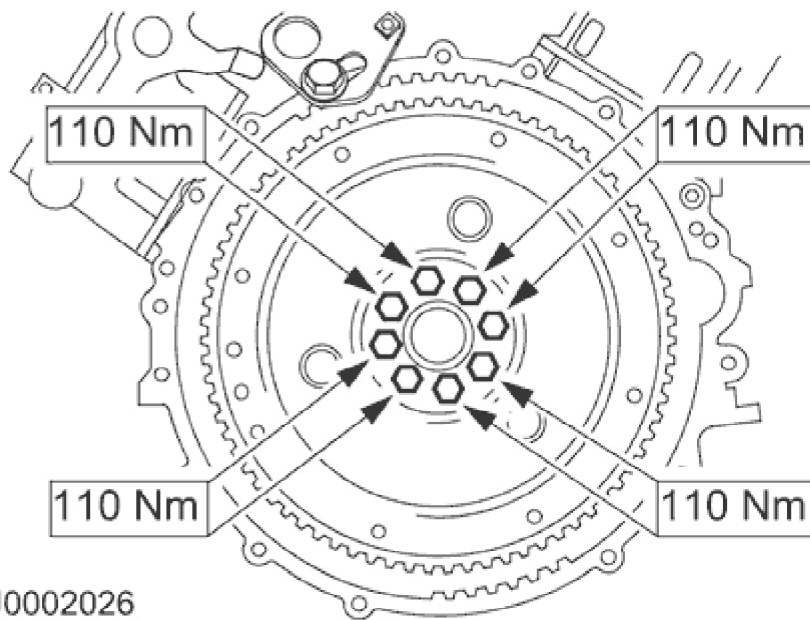
VUJ0001641

2. NOTE:

Tighten the retaining bolts working diagonally.

2003 S-TYPE - Engine - 4.2L - 303-01B

Tighten to 15 Nm.



VUJ0002026

3. NOTE:

Tighten the retaining bolts working diagonally.

Tighten to 110 Nm.

4. Install the automatic transmission. For additional information, refer to<<307-01>>