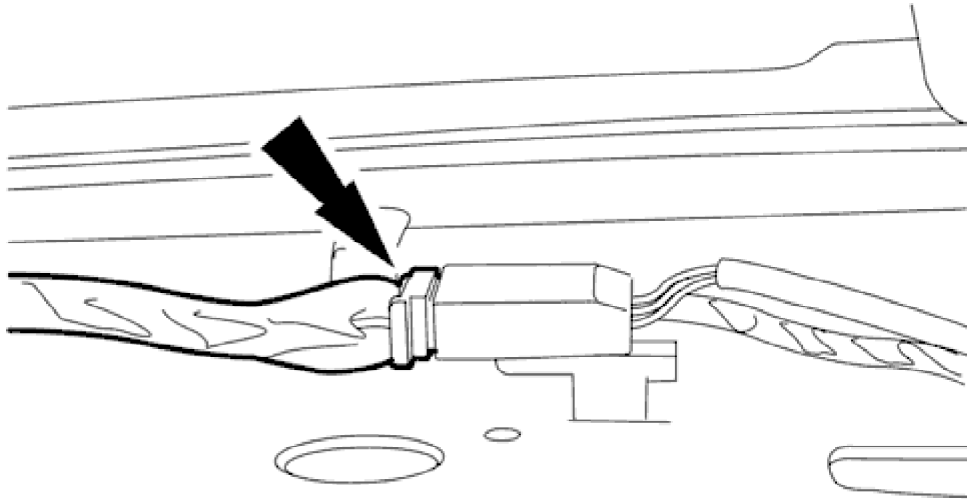


### High Mounted Stoplamp 86.41.01

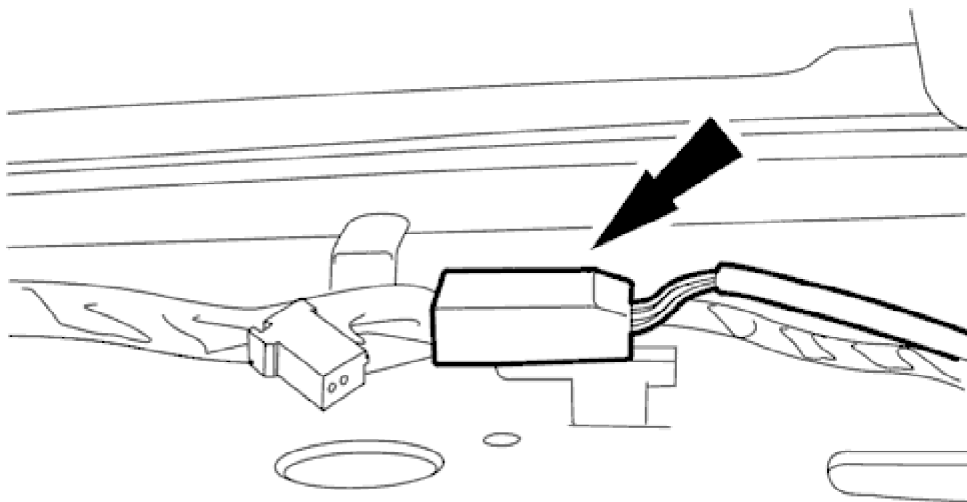
#### Removal

1. Remove the parcel shelf. <<501-05>>



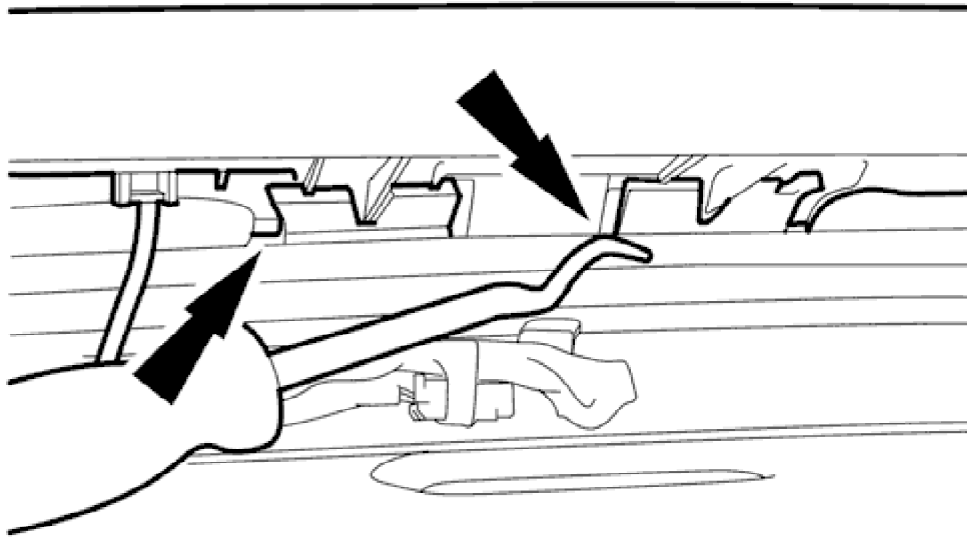
VUJ0004843

2. Disconnect the high mounted stoplamp electrical connector.



VUJ0004850

3. Detach the high mounted stoplamp electrical connector from the retaining clip.



VUJ0004855

4. Remove the high mounted stoplamp.



**CAUTION:**

**Make sure the high mounted stop lamp retaining tangs are not damaged during removal. Failure to follow this instruction may result in damage to the vehicle.**

- Using a suitable tool, release the retaining tangs.

### Installation

1. To install, reverse the removal procedure.

### Rear Lamp Assembly 86.41.46