



Technical Information

Transmission fluid level procedures



Jaguar 6HP26 - 6HP28

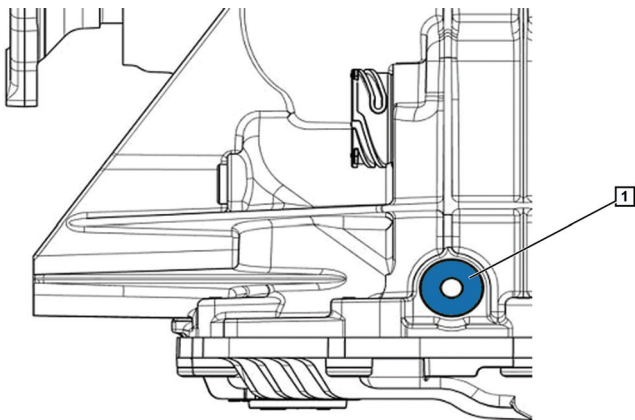


Fig. 1: Filler plug

Filler plug **M18x1.5**
Inner hexagon **8mm**
Tightening torque **35 Nm ± 3.5 Nm**

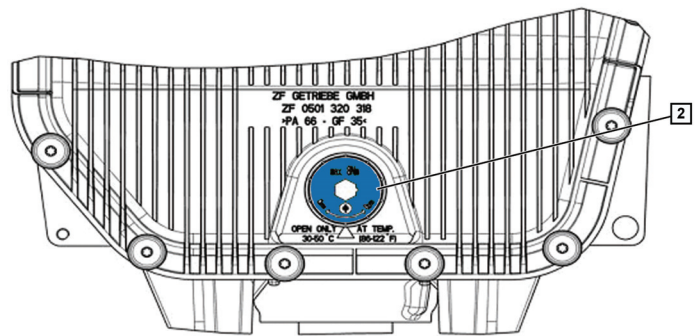


Fig. 2: Drain plug

Drain plug **M24x1**
Inner hexagon **10mm**
Tightening torque **8 Nm - 0.5 Nm**

Checking the automatic transmission fluid level

Use suitable test equipment to determine the transmission temperature. The automatic transmission fluid (ATF) temperature must be between 30°C (86°F) and 35°C (95°F) before checking can begin.

- The vehicle must be level with engine running at idle speed and air conditioning turned on.
- Apply the parking brake fully and step on the brakes firmly. Shift into Drive (D) and Reverse (R), briefly pausing in each position.
- Shift into Park (P) with the engine running at idle speed.
- Remove the filler plug (1). Monitor the transmission temperature. The ATF level is correct if a small stream runs out at 40°C (104°F).
- The ATF level is too low if no oil runs out. Add ATF until it overflows.
- With the engine running at idle speed, install the filler plug (1) and tighten to proper torque.

Adding automatic transmission fluid after repairs

- With the engine stopped and the transmission in Park (P), remove the filler plug (1). Add ATF until a small stream of oil runs out.
- Insert the filler plug (1) and tighten by hand. Start the engine.
- With the engine running at idle speed, remove the filler plug (1) and add ATF until a small stream of oil runs out. Insert the filler plug (1) and tighten by hand.
- Follow the instructions in the section **Checking the automatic transmission fluid level**.



NOTE

- Use only ZF LifeguardFluid6 or OE approved automatic transmission fluid (ATF).
- Have ATF and a suitable oil pump available before starting the checking procedure.
- The transmission fluid temperature will rise quickly during the checking procedure.
- If the transmission temperature rises above 50°C during the ATF checking procedure, the resulting oil level will be too low. Let the transmission cool down and repeat the checking procedure.