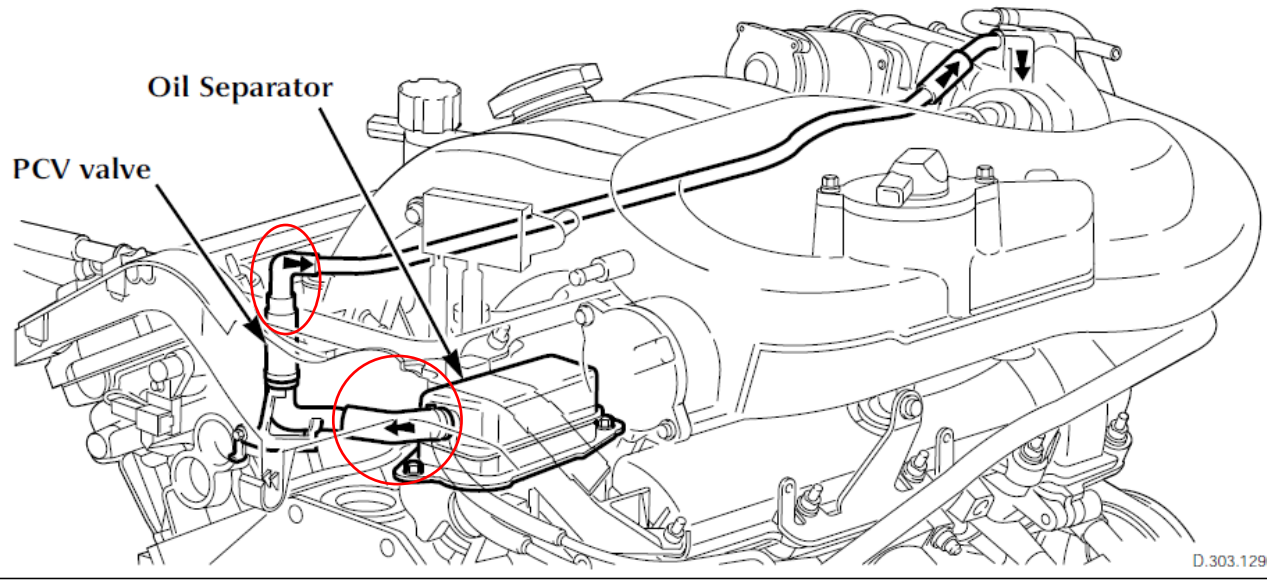


POSITIVE CRANKCASE VENTILATION



D.303.1290