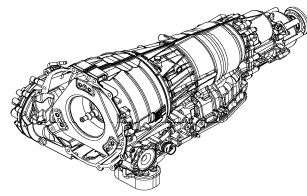
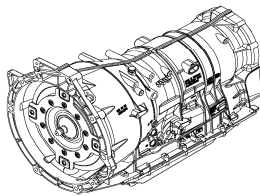
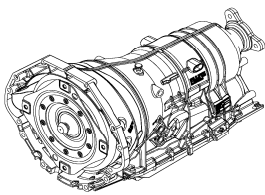


# ZF 6HP26X / 6HP28X



6HP26X  
6HP28X

Automatic Transmission Spare Parts Catalog

## Warranty Information

Warranty coverage for ZF passenger car transmission spare parts and kits covers the first 12 months after installation in the vehicle, or 24 months after purchase from ZF Services.

Warranty of the product is limited to replacement or repair, if found to be defective in ZF material or workmanship, and specifically does not cover removal, reinstallation, or any costs incidental to the repair of the vehicle, or any kind of consequential damages.

All warranty and/or non-warranty returns must be approved.

## Disclaimer

The specifications and information shown in this catalog have been compiled from accepted and reliable sources and is believed to be accurate at the time of publication. While ZF Services believes this information is correct, no guarantee or warranty is made as to the accuracy of the information and ZF Services cannot and does not accept or assume any responsibilities for errors, omissions, or consequential harm or damages. Replacement parts should not be used when they do not appear to fit. ZF Services disclaims all liability and responsibility for any harm resulting from any such modifications.

## Copyright

Printed in USA - Copyright © 2008 ZF Services

No part of this publication may be reproduced, stored in a retrieval system, or transmitted, in any form or by any means, electronic, mechanical, photocopying, recording, or otherwise, without prior written permission of ZF Services.

## Distributed By

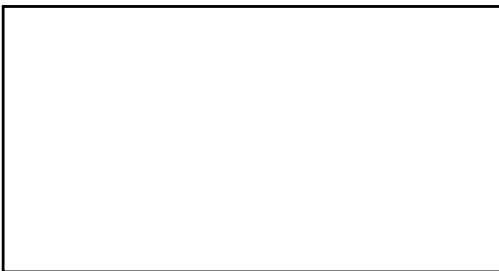




Table of Contents

6HP26X / 6HP28X

**Technical Information**

|  |       |
|--|-------|
| Torque, Gear Ratio & Weight                                | 2     |
| Oil Capacity   | 2     |
| 6HP26X / 6HP28X Lubricants                                 | 2     |
| 6HP26X / 6HP28X Technical Literature                       | 2     |
| 6HP26X / 6HP28X General Transmission Oil Filling Procedure | 3 - 7 |
| How To Use This Catalog                                    | 8     |
| Type Plate Information                                     | 9     |

**6HP26X 1068 020 XXX / 6HP28X 1068 050 XXX**

**Spare Parts**

|                                 |    |
|---------------------------------|----|
| Gearbox Housing Group           | 10 |
| Torque Converter Group          | 11 |
| Oil Supply Group                | 12 |
| Front Planetary Group           | 13 |
| Rear Planetary Group            | 14 |
| Coupling A Group                | 15 |
| Coupling B Group                | 16 |
| Coupling C Group                | 17 |
| Coupling D Group                | 18 |
| Coupling E Group                | 19 |
| Output Group                    | 20 |
| Filter Group                    |    |
| Filter General                  | 21 |
| Filter BMW                      | 22 |
| Filter Ford                     | 23 |
| Mechatronic Group               | 24 |
| Gear Shift System E-Shift Group | 25 |
| Gear Shift System M-Shift Group |    |
| M-Shift BMW                     | 26 |
| M-Shift BMW                     | 27 |
| M-Shift LAND ROVER              | 28 |
| M-Shift Ford                    | 29 |
| Parking Lock Group              | 30 |

**Selective Shims, Snap Rings, Steel Plate & Kits Content**

|                       |         |
|-----------------------|---------|
| Selective Shims       | 31      |
| Selective Snap Rings  | 32 - 33 |
| Selective Steel Plate | 34      |
| Kits Content          | 35 - 40 |



Technical Information

Torque, Gear Ratio & Weight

| Input Torque                            | 1 Gear | 2 Gear | 3 Gear | 4 Gear | 5 Gear | 6 Gear | Rev Gear | Drive | Weight (incl. oil) |
|---|--------|--------|--------|--------|--------|--------|----------|-------|--------------------|
| 326 ftlbs to 444 ftlbs (model specific) | 4.17   | 2.34   | 1.52   | 1.14   | 0.87   | 0.69   | 3.40     | RWD   | ~196 lbs.          |

Oil Capacity

9.4 liters (10 Quarts) + 0.5 liter (0.53 Quarts) for cooling system

6HP26X / 6HP28X Lubricants

| Amount            | ZF Part #    | Oil Grade           |
|-------------------|--------------|---------------------|
| 1 Liter Bottle    | S671 090 255 | ZF LifeGuardFluid 6 |
| 20 Liter Canister | S671 090 253 | ZF LifeGuardFluid 6 |
| 209 Liter Drum    | S671 090 252 | ZF LifeGuardFluid 6 |

**Note:** ZF recommends the use of LifeGuardFluid 6 for optimal performance.

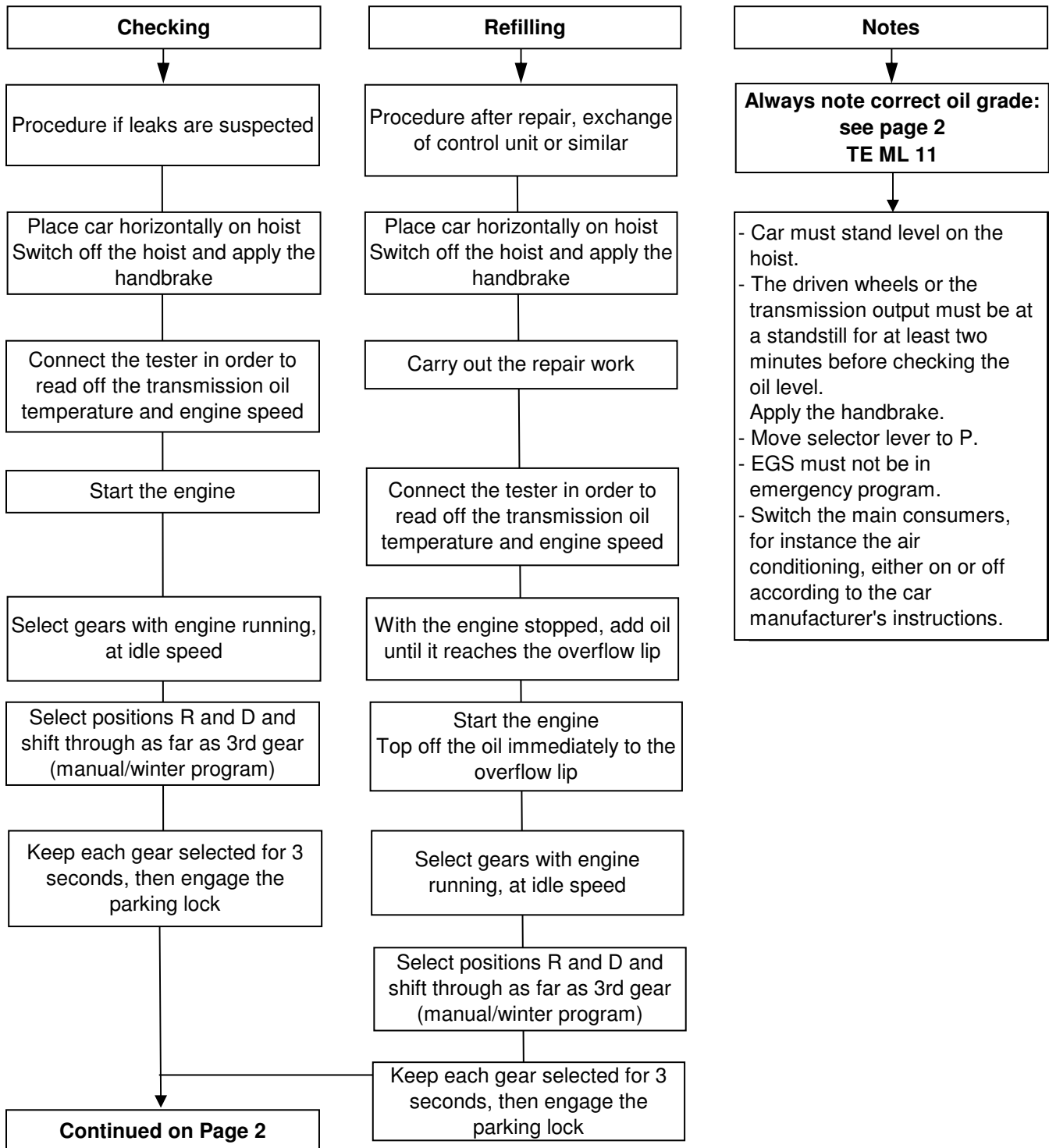
6HP26X / 6HP28X Technical Literature

| Language | ZF Part #    | Description  |
|----------|--------------|--|
| English  | 1068 751 702 | 6HP26X / 6HP28X REPAIR MANUAL (CD)                 |
| English  | 1068 766 701 | 6HP26X / 6HP28X FUNCTIONAL DESCRIPTION - BMW (CD)  |
| English  | 1068 766 704 | 6HP26X / 6HP28X FUNCTIONAL DESCRIPTION - AUDI (CD) |



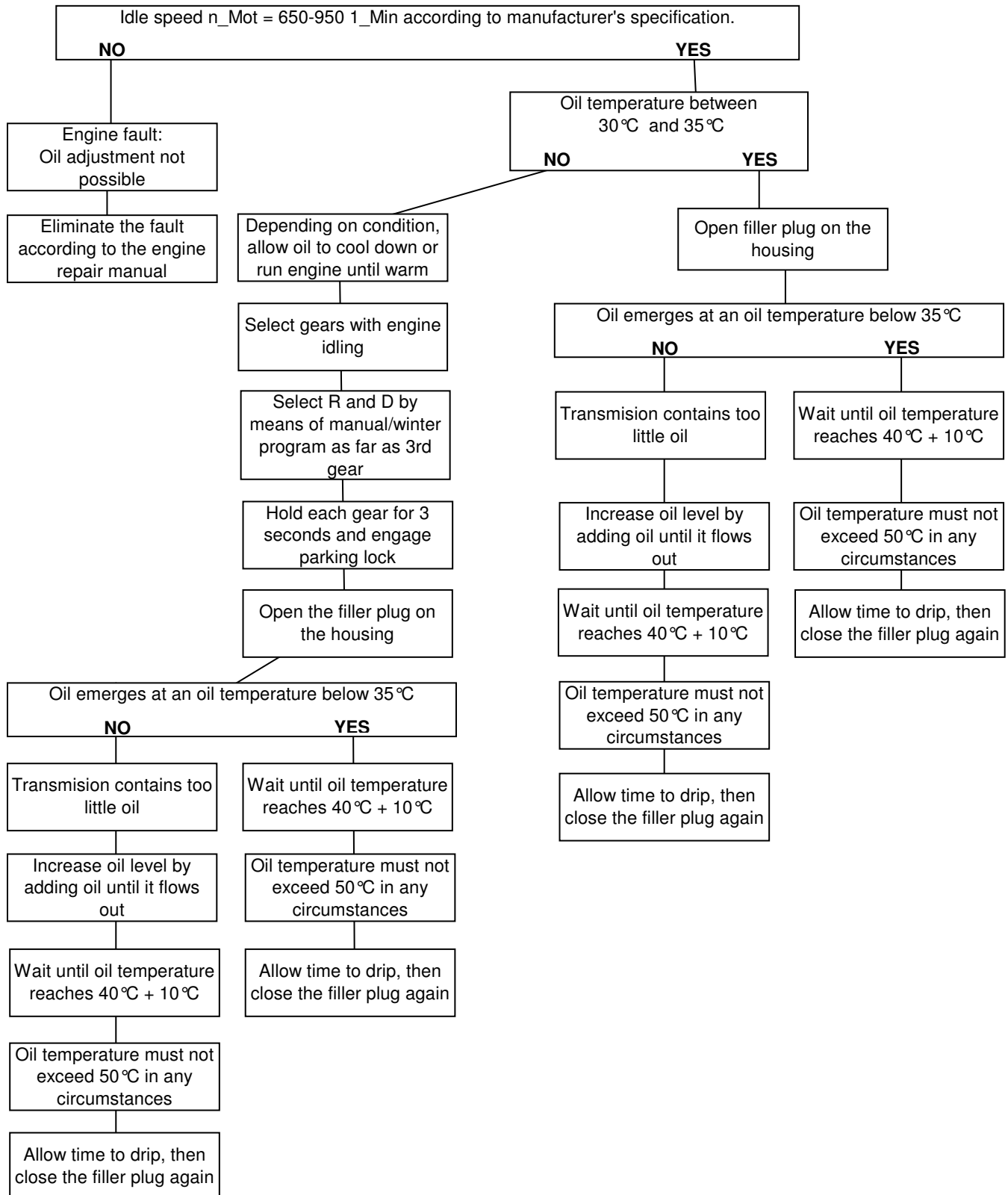
6HP26X / 6HP28X General Transmission Oil Filling Procedure

**Adding oil to 6HP26X / 6HP28X automatic transmission  
- general - up to overflow at 40 °C**





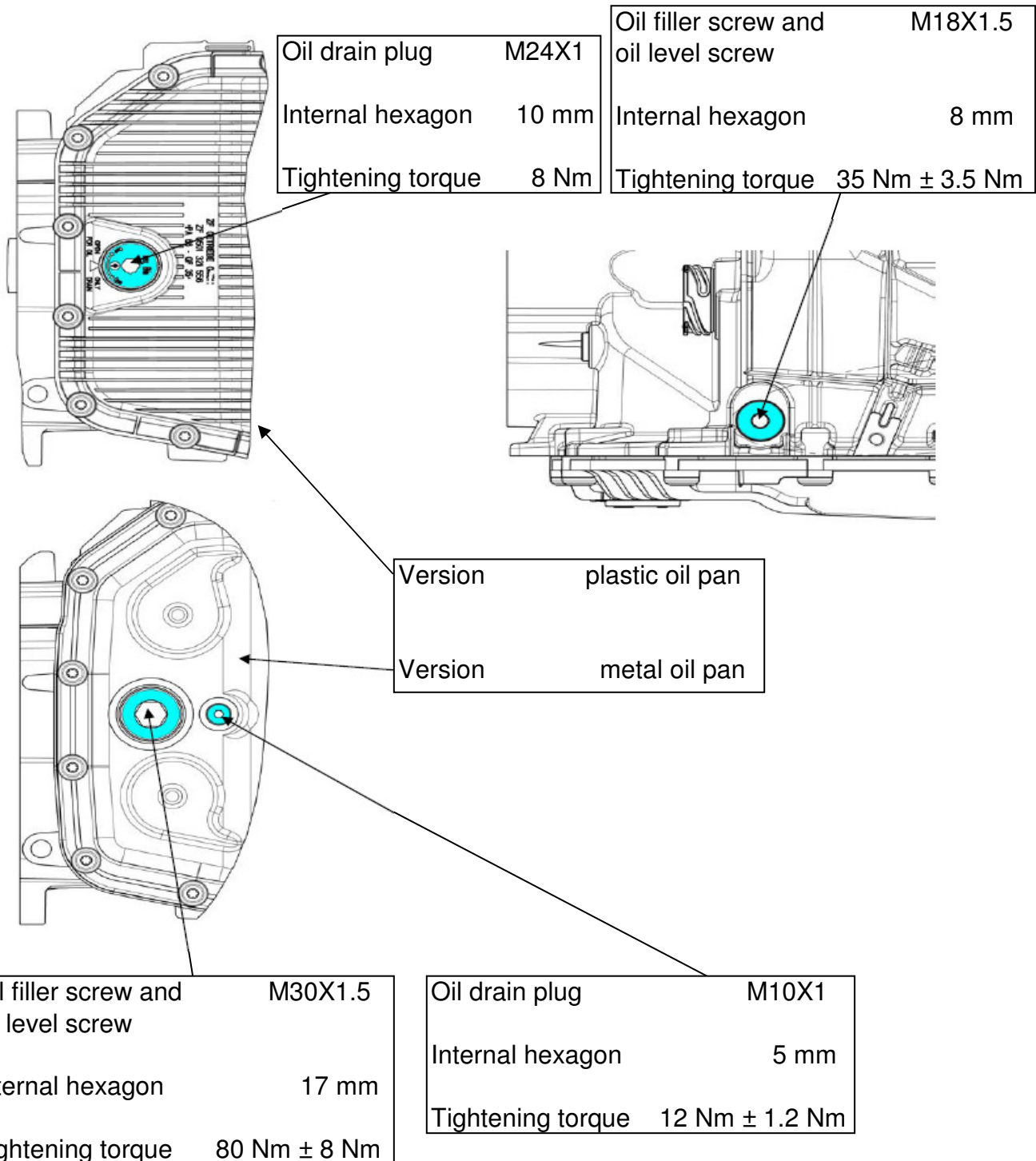
6HP26X / 6HP28X General Transmission Oil Filling Procedure (continued)





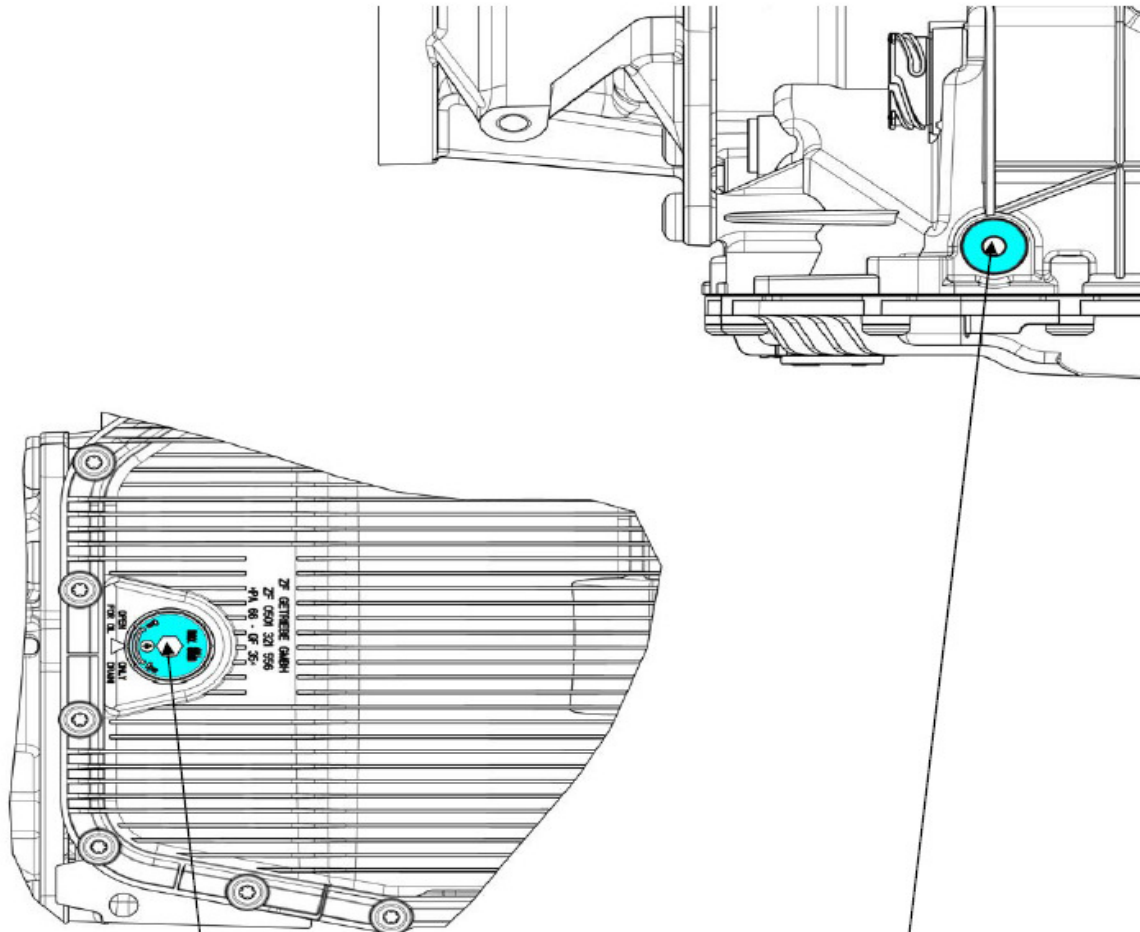
6HP26X / 6HP28X General Transmission Oil Filling Procedure (continued)

Oil service 6HP26X / 6HP28X BMW



6HP26X / 6HP28X General Transmission Oil Filling Procedure (continued)

Oil service 6HP26X / 6HP28X Ford



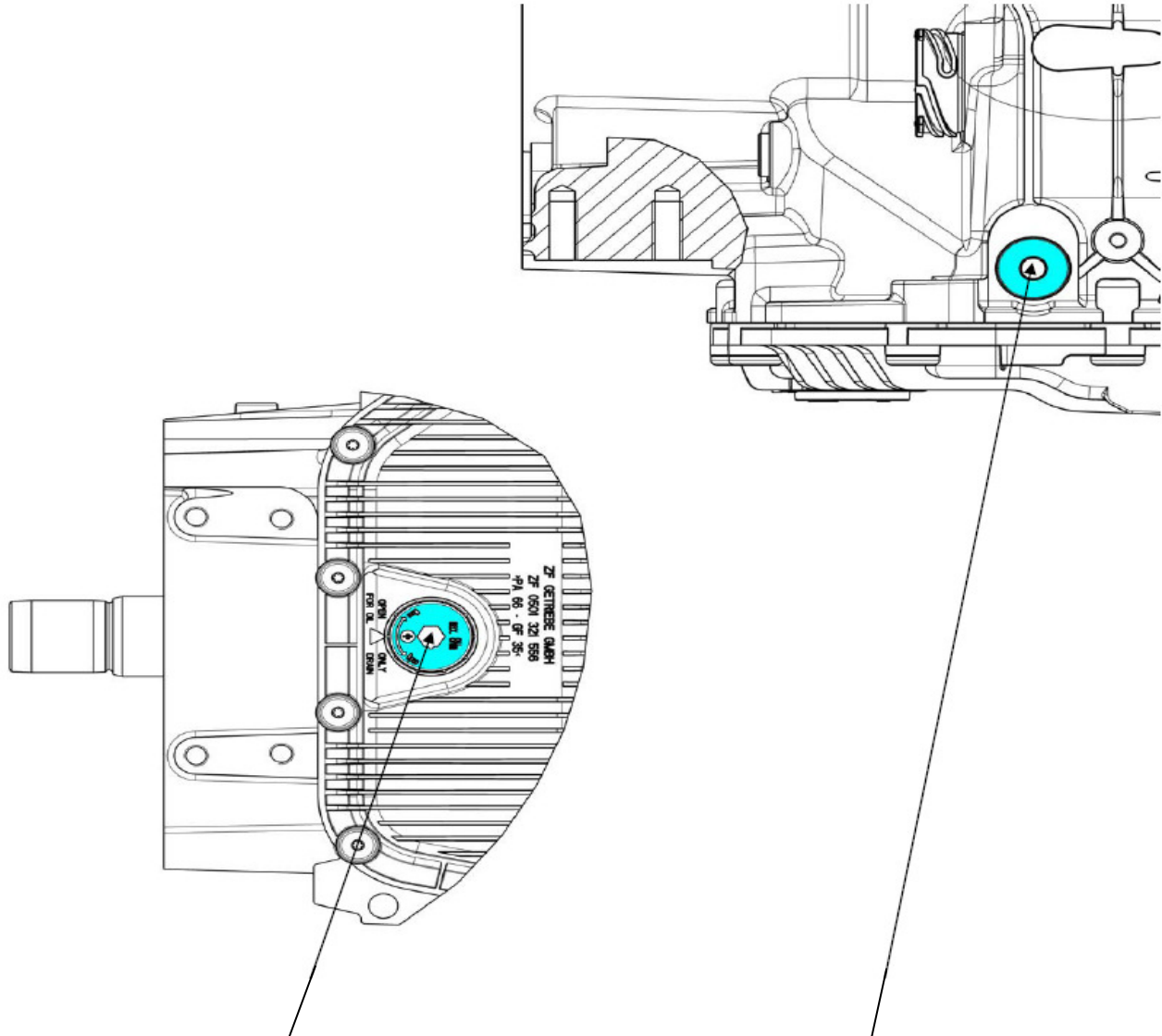
|                   |       |
|-------------------|-------|
| Oil drain plug    | M24X1 |
| Internal hexagon  | 10 mm |
| Tightening torque | 8 Nm  |

|   |                |
|---|----------------|
| Oil filler screw and<br>oil level screw | M18X1.5        |
| Internal hexagon                        | 8 mm           |
| Tightening torque                       | 35 Nm ± 3.5 Nm |



6HP26X / 6HP28X General Transmission Oil Filling Procedure (continued)

Oil service 6HP26X / 6HP28X LAND ROVER



|                   |       |
|-------------------|-------|
| Oil drain plug    | M24X1 |
| Internal hexagon  | 10 mm |
| Tightening torque | 8 Nm  |

|                                      |                |
|--------------------------------------|----------------|
| Oil filler screw and oil level screw | M18X1.5        |
| Internal hexagon                     | 8 mm           |
| Tightening torque                    | 35 Nm ± 3.5 Nm |



## How To Use This Catalog

### Table of Contents

Each transmission group of this catalog is listed in the table of contents. This spare parts catalog includes only transmission specification numbers for North American applications.

### Technical Information

All technical information is specific to the transmission models that are referenced in this catalog. Weight and oil capacity information are only approximate and may vary by actual transmission specification. For any technical inquiry, please contact your preferred ZF passenger car transmission distributor for assistance. For a list of technical literature available from ZF or for answers to frequently asked questions about ZF transmissions visit us at [www.zf.com/na](http://www.zf.com/na).

### Spare Parts

Each transmission is divide into groups (e.g. gearbox housing group). The position number (**Position #**) is used to identify the location of each spare part in the transmission. A position number like 01.010 is either a spare part or an assembly. A position number like 01.010/110 is a subcomponent of an assembly. Please contact your preferred ZF passenger car transmission distributor about availability of assemblies and subcomponents.

Contact ZF for the most updated part number (for example: 6HP19 1071 040 XXX). Please, have the position number and model number prepared when you call. Thank you.

Use our toll free Service-Hotline: 1-800-451-2595.

The description (**Description**) identifies the spare part.

The quantity (**Quantity**) is the amount of spare parts included in one transmission model for a certain position number. The quantity may vary depending on the transmission specification and certain spare parts may be used in multiple positions in the transmission.

The notes column (**Notes**) gives more information about the spare part (e.g. included in a kit).

Example

### OIL SUPPLY GROUP

| Position # | Description   | Quantity | Notes                        |
|------------|---------------|----------|------------------------------|
| 10.010     | PUMP          | 1        |                              |
| 10.010/150 | NEEDLE SLEEVE | 1        |                              |
| 10.090     | SHIM          | 1        | Selective shim; see page 31. |

### Selective Shims, Snap Rings, Steel Plate & Kits Content

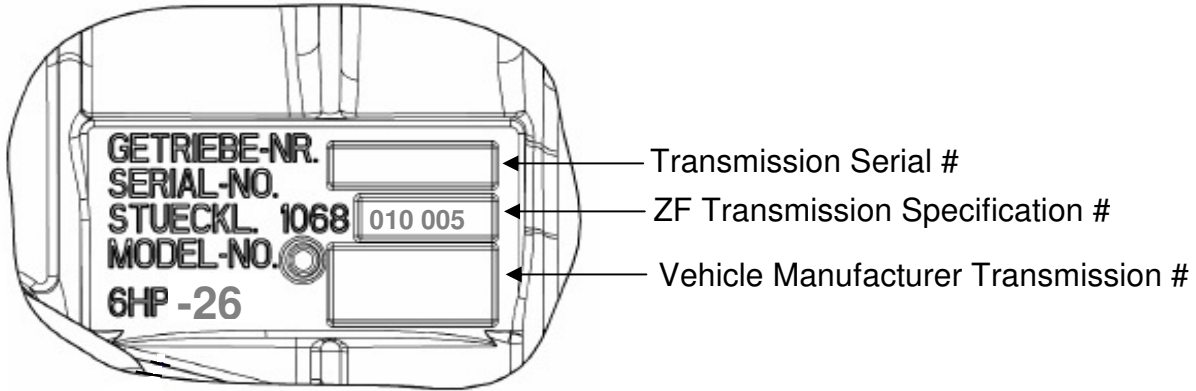
Each list for selective shims, snap rings or steel plate is listed in this section of the catalog. Please measure the clearance according to the repair manual and select the required spare part from the table.

The kits content section shows all available kits for the transmission models that are referenced in this catalog, including the content of each kit.

**Mechatronic and Valve Body are only available as complete Service-Mechatronic.**

## Type Plate Information

The type plate is located on the main housing of the transmission. Please refer to the ZF transmission specification # when searching for spare parts and kits in this catalog.

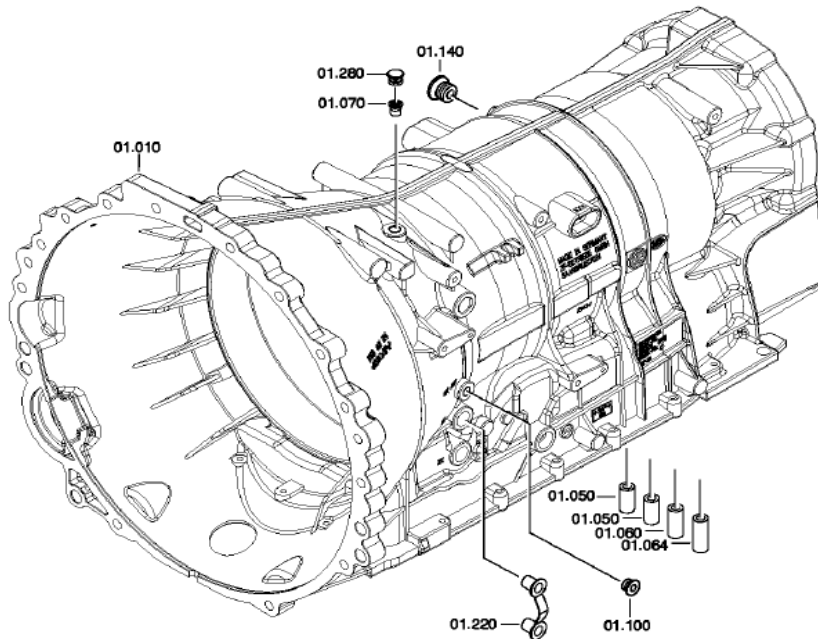




6HP26X 1068 020 XXX / 6HP28X 1068 050 XXX

GEARBOX HOUSING GROUP

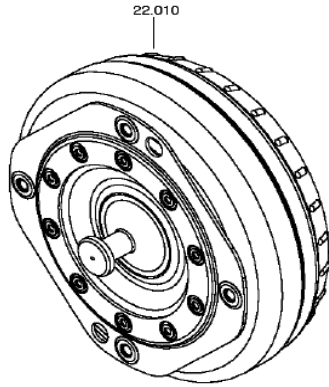
| Position # | Description     | Quantity | Notes                                  |
|------------|-----------------|----------|--|
| 01.010     | GEARBOX HOUSING | 1        |  |
| 01.050     | SEALING SLEEVE  | 2        | Included in overhaul kit; see page 39. |
| 01.060     | SEALING SLEEVE  | 1        | Included in overhaul kit; see page 39. |
| 01.064     | SEALING SLEEVE  | 1        | Included in overhaul kit; see page 39. |
| 01.070     | BREATHER TUBE   | 1        |  |
| 01.100     | SCREW PLUG      | 1        | Included in overhaul kit; see page 39. |
| 01.140     | SCREW PLUG      | 1        |  |
| 01.220     | PLUG            | 1        | Included in overhaul kit; see page 39. |
| 01.280     | PLUG            | 1        |  |





**TORQUE CONVERTER GROUP**

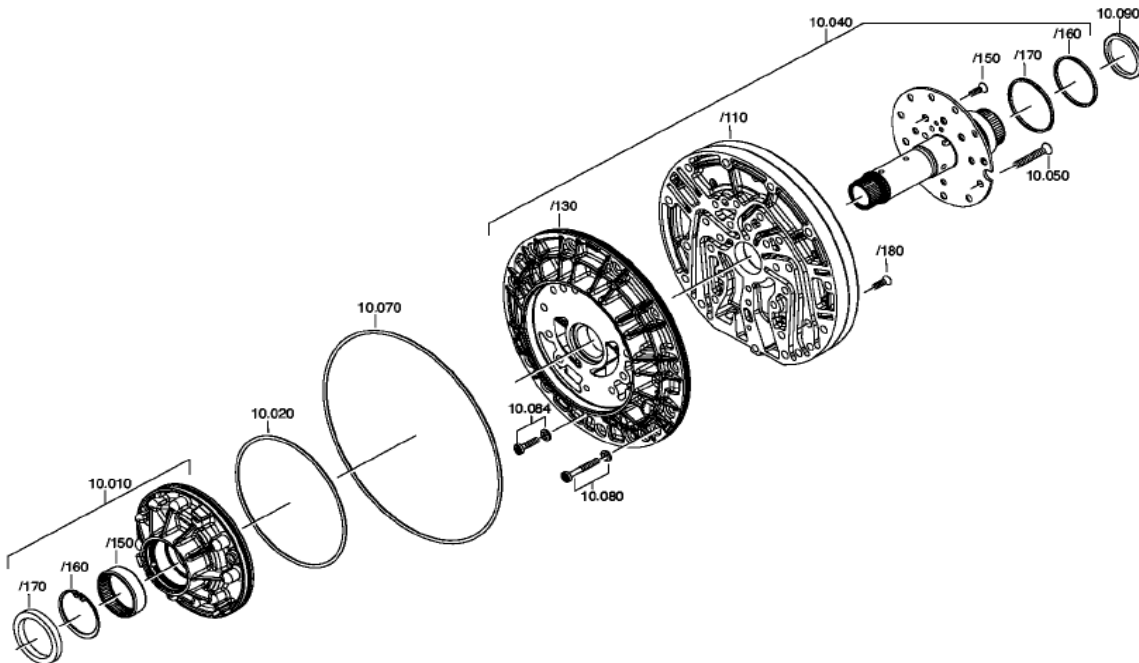
| Position # | Description | Quantity | Notes |
|------------|-------------|----------|-------|
| 22.010     | CONVERTER   | 1        |       |





**OIL SUPPLY GROUP**

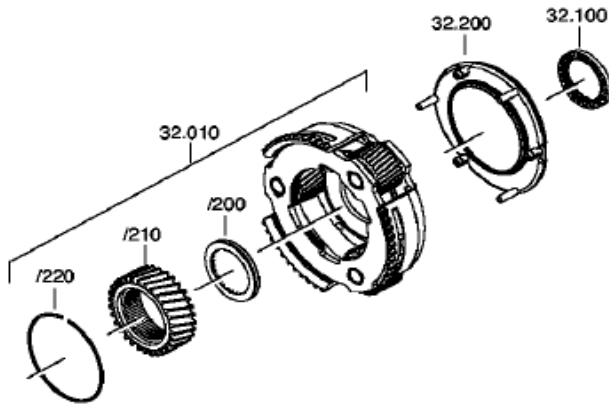
| Position # | Description                 | Quantity | Notes                                  |
|------------|-----------------------------|----------|--|
| 10.010     | PUMP ASSEMBLY               | 1        |  |
| 10.010/150 | NEEDLE SLEEVE               | 1        |  |
| 10.010/160 | SNAP RING                   | 1        |  |
| 10.010/170 | SHAFT SEAL                  | 1        | Included in overhaul kit; see page 39. |
| 10.020     | ROUND SEALING RING          | 1        | Included in overhaul kit; see page 39. |
| 10.040     | INTERMEDIATE PLATE ASSEMBLY | 1        |  |
| 10.040/110 | INTERMEDIATE PLATE          | 1        |  |
| 10.040/130 | CENTERING PLATE             | 1        |  |
| 10.040/150 | COUNTER SCREW               | 6        | M6X28                                  |
| 10.040/160 | PISTON RING                 | 1        | Included in overhaul kit; see page 39. |
| 10.040/170 | PISTON RING                 | 1        | Included in overhaul kit; see page 39. |
| 10.040/180 | COUNTER SCREW               | 4        | M6X28                                  |
| 10.050     | COUNTER SCREW               | 11       | M6X46                                  |
| 10.070     | ROUND SEALING RING          | 1        | Included in overhaul kit; see page 39. |
| 10.080     | TORX SCREW WITH USIT RING   | 13       |  |
| 10.084     | TORX SCREW WITH USIT RING   | 14       | Included in overhaul kit; see page 39. |
| 10.090     | SHIM                        | 1        | Selective shim; see page 31.           |





**FRONT PLANETARY DRIVE GROUP**

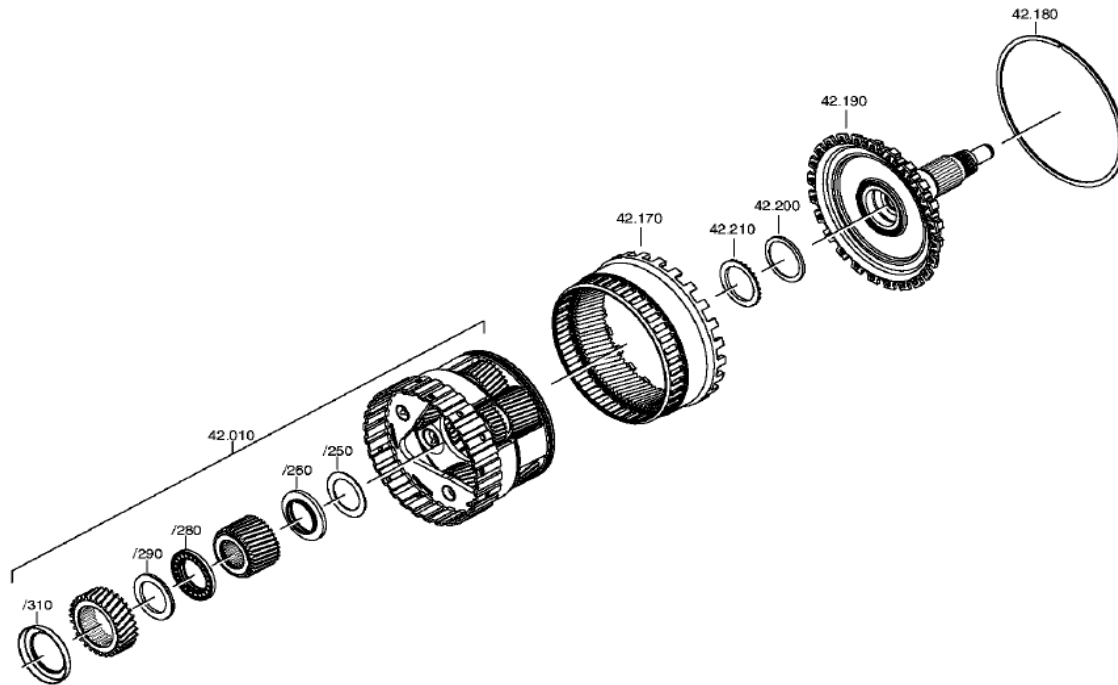
| Position # | Description          | Quantity | Notes |
|------------|----------------------|----------|-------|
| 32.010     | PLANETARY ASSEMBLY   | 1        |       |
| 32.010/200 | AXIAL NEEDLE BEARING | 1        |       |
| 32.010/210 | SUN GEAR             | 1        |       |
| 32.010/220 | SNAP RING            | 1        |       |
| 32.100     | AXIAL NEEDLE BEARING | 1        |       |
| 32.200     | OIL TRAY             | 1        |       |





**REAR PLANETARY DRIVE GROUP**

| Position # | Description          | Quantity | Notes   |
|------------|----------------------|----------|---------|
| 42.010     | PLANET ASSEMBLY      | 1        |         |
| 42.010/250 | AXIAL WASHER         | 1        | 1.00 mm |
| 42.010/260 | AXIAL NEEDLE BEARING | 1        |         |
| 42.010/280 | AXIAL NEEDLE BEARING | 1        |         |
| 42.010/290 | AXIAL WASHER         | 1        | 3.20 mm |
| 42.010/310 | AXIAL WASHER         | 1        |         |
| 42.170     | RING GEAR            | 1        |         |
| 42.180     | SNAP RING            | 1        |         |
| 42.190     | OUTPUT SHAFT         | 1        |         |
| 42.200     | AXIAL WASHER         | 1        | 1.00 mm |
| 42.210     | AXIAL NEEDLE BEARING | 1        |         |

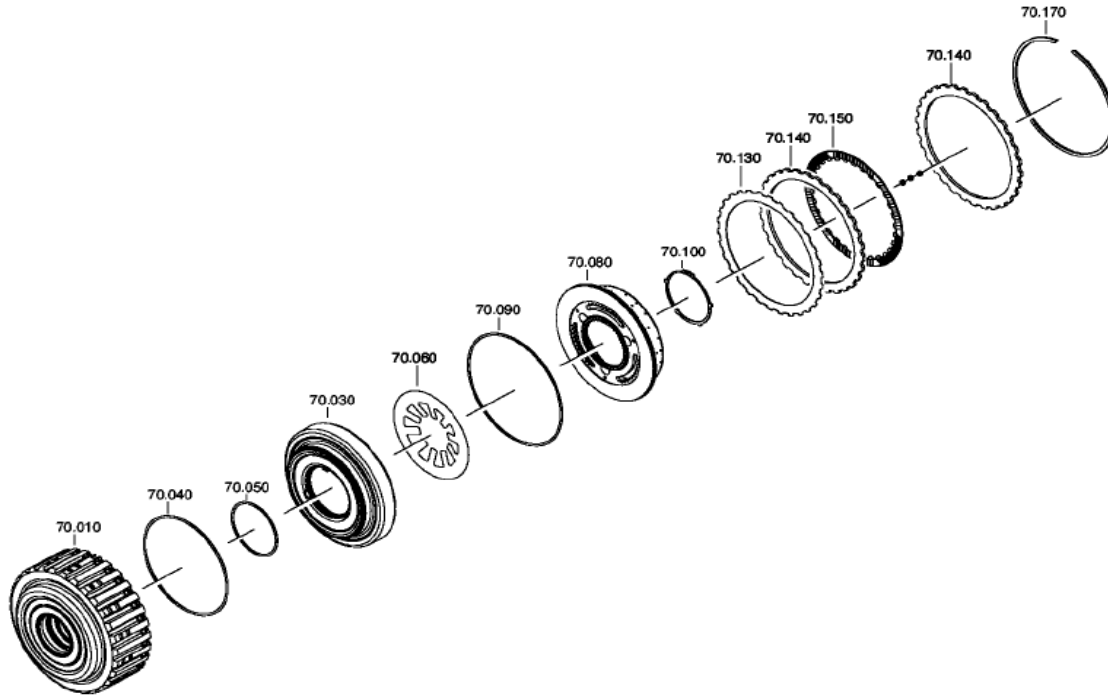






**COUPLING A GROUP**

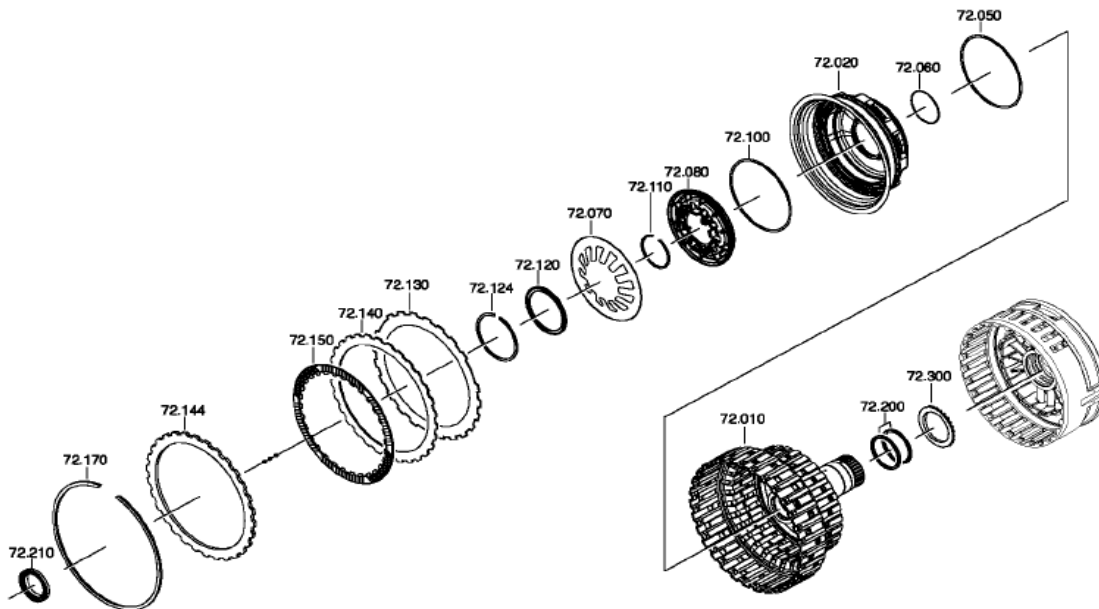
| Position # | Description        | Quantity | Notes  |
|------------|--------------------|----------|--|
| 70.010     | CYLINDER           | 1        |  |
| 70.030     | PISTON             | 1        |  |
| 70.040     | ROUND SEALING RING | 1        | Included in overhaul kit; see page 39.             |
| 70.050     | ROUND SEALING RING | 1        | Included in overhaul kit; see page 39.             |
| 70.060     | CUP SPRING         | 1        |  |
| 70.080     | OIL DAM            | 1        |  |
| 70.090     | ROUND SEALING RING | 1        | Included in overhaul kit; see page 39.             |
| 70.100     | K-RING             | 1        |  |
| 70.130     | UNDULATING SPRING  | 1        |  |
| 70.140     | STEEL PLATE        | 6        | 3.00 mm; Included in steel kit; see pages 37 & 38. |
| 70.150     | FRICTION PLATE     | 5        | Included in friction kit; see pages 35 & 36.       |
| 70.170     | SNAP RING          | 1        | Selective snap ring; see page 32.                  |





**COUPLING B GROUP**

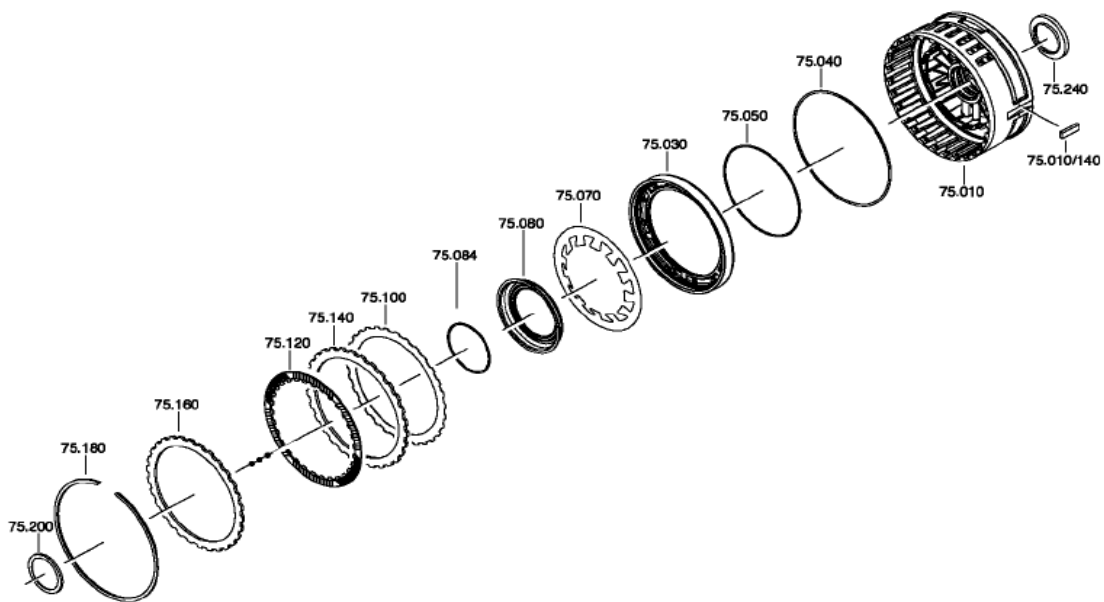
| Position # | Description          | Quantity | Notes  |
|------------|----------------------|----------|--|
| 72.010     | SUN GEAR SHAFT       | 1        |  |
| 72.020     | PISTON               | 1        |  |
| 72.050     | ROUND SEALING RING   | 1        | Included in overhaul kit; see page 39.             |
| 72.060     | ROUND SEALING RING   | 1        | Included in overhaul kit; see page 39.             |
| 72.070     | CUP SPRING           | 1        |  |
| 72.080     | OIL DAM              | 1        |  |
| 72.100     | ROUND SEALING RING   | 1        | Included in overhaul kit; see page 39.             |
| 72.110     | SNAP RING            | 1        | 2.50 mm  |
| 72.120     | FIXING WASHER        | 1        |  |
| 72.124     | SNAP RING            | 1        | 1.50 mm  |
| 72.130     | UNDULATING SPRING    | 1        |  |
| 72.140     | STEEL PLATE          | 5        | 2.10 mm; Included in steel kit; see pages 37 & 38. |
| 72.144     | END PLATE            | 1        | Included in steel kit; see pages 37 & 38.          |
| 72.150     | FRICTION PLATE       | 5        | Included in friction kit; see pages 35 & 36.       |
| 72.170     | SNAP RING            | 1        | Selective snap ring; see page 32.                  |
| 72.200     | SEALING RING         | 2        | Included in overhaul kit; see page 39.             |
| 72.210     | AXIAL NEEDLE BEARING | 1        |  |
| 72.300     | AXIAL NEEDLE BEARING | 1        |  |





**COUPLING C GROUP**

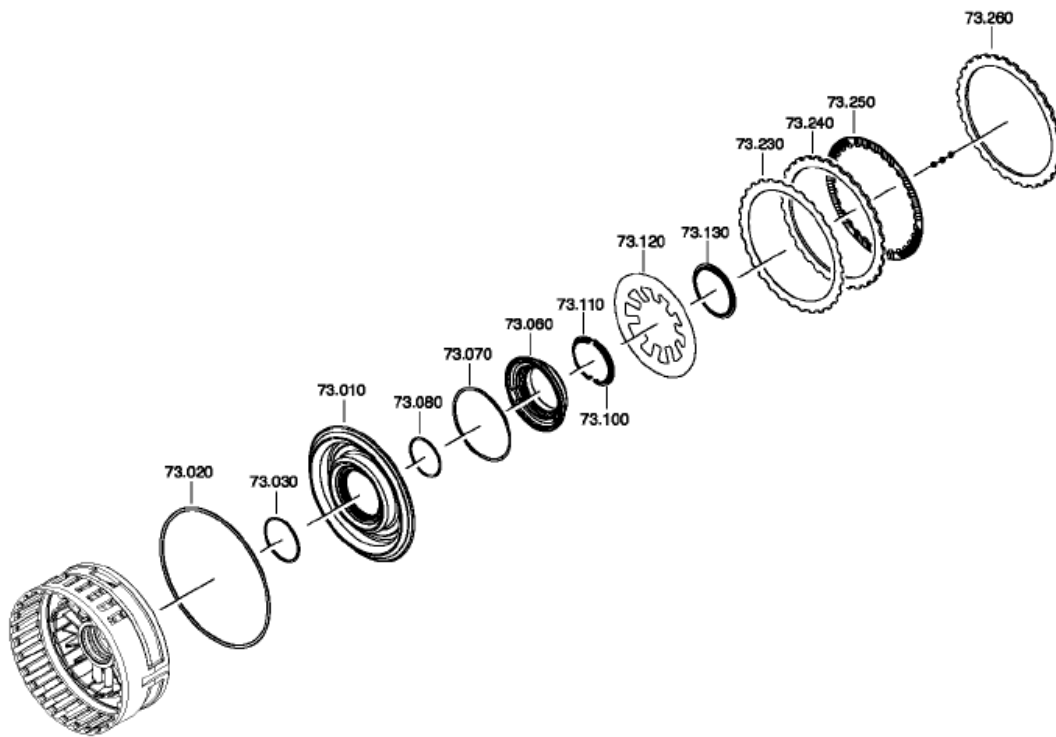
| Position # | Description          | Quantity | Notes  |
|------------|----------------------|----------|--|
| 75.010     | CYLINDER             | 1        |  |
| 75.010/140 | FITTING KEY          | 2        |  |
| 75.030     | PISTON               | 1        |  |
| 75.040     | ROUND SEALING RING   | 1        | Included in overhaul kit; see page 39.             |
| 75.050     | ROUND SEALING RING   | 1        | Included in overhaul kit; see page 39.             |
| 75.070     | CUP SPRING           | 1        |  |
| 75.080     | STOP-RING            | 1        |  |
| 75.084     | SNAP RING            | 1        | 2.00 mm  |
| 75.100     | UNDULATING SPRING    | 1        |  |
| 75.120     | FRICTION PLATE       | 5        | Included in friction kit; see pages 35 & 36.       |
| 75.140     | STEEL PLATE          | 5        | 3.00 mm; Included in steel kit; see pages 37 & 38. |
| 75.160     | END PLATE            | 1        | 3.90 mm; Included in steel kit; see pages 37 & 38. |
| 75.180     | SNAP RING            | 1        | Selective snap ring; see page 32.                  |
| 75.200     | ANGLE DISC           | 1        |  |
| 75.240     | AXIAL NEEDLE BEARING | 1        |  |





**COUPLING D GROUP**

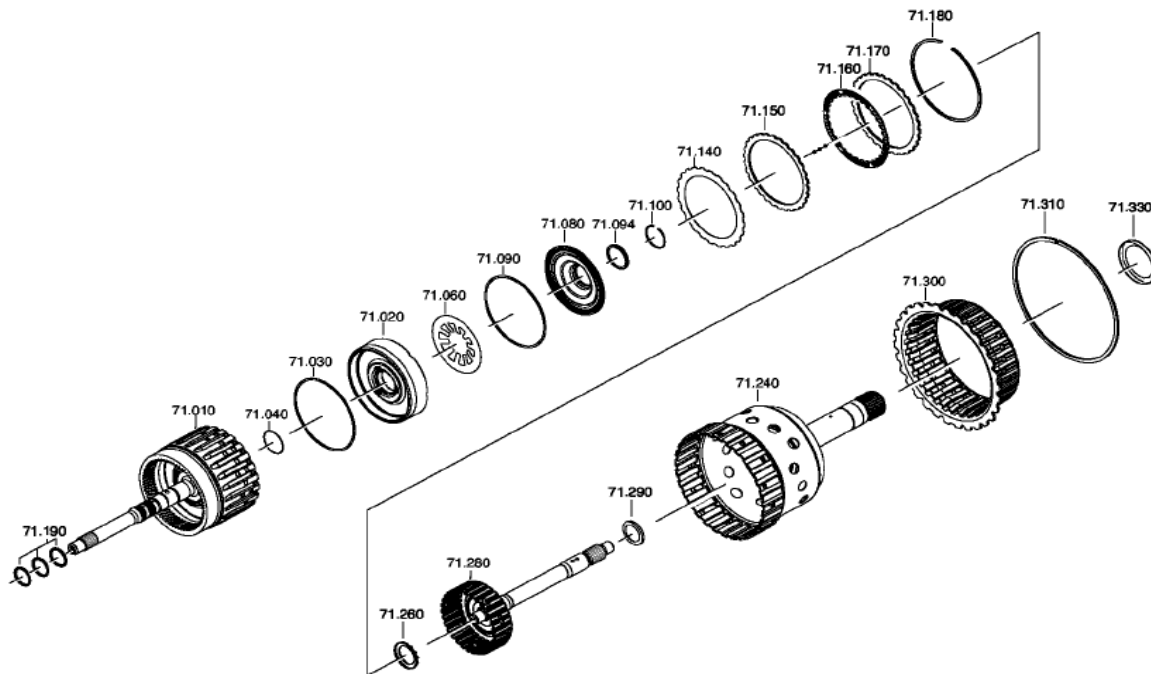
| Position # | Description        | Quantity | Notes  |
|------------|--------------------|----------|--|
| 73.010     | PISTON             | 1        |  |
| 73.020     | ROUND SEALING RING | 1        | Included in overhaul kit; see page 39.   |
| 73.030     | ROUND SEALING RING | 1        | Included in overhaul kit; see page 39.   |
| 73.060     | OIL DAM            | 1        |  |
| 73.070     | ROUND SEALING RING | 1        | Included in overhaul kit; see page 39.   |
| 73.080     | ROUND SEALING RING | 1        | Included in overhaul kit; see page 39.   |
| 73.100     | SPLIT RING         | 1        |  |
| 73.110     | SPLIT RING         | 1        |  |
| 73.120     | CUP SPRING         | 1        |  |
| 73.130     | SPLIT RING         | 1        |  |
| 73.230     | UNDULATING SPRING  | 1        |  |
| 73.240     | STEEL PLATE        | 6        | 2.10 mm; Included in steel kit; see pages 37 & 38.                             |
| 73.250     | FRICTION PLATE     | 6        | Included in friction kit; see pages 35 & 36.                                   |
| 73.260     | END PLATE          | 1        | Selective end plate; see page 34.<br>Included in steel kit; see pages 37 & 38. |





**COUPLING E GROUP**

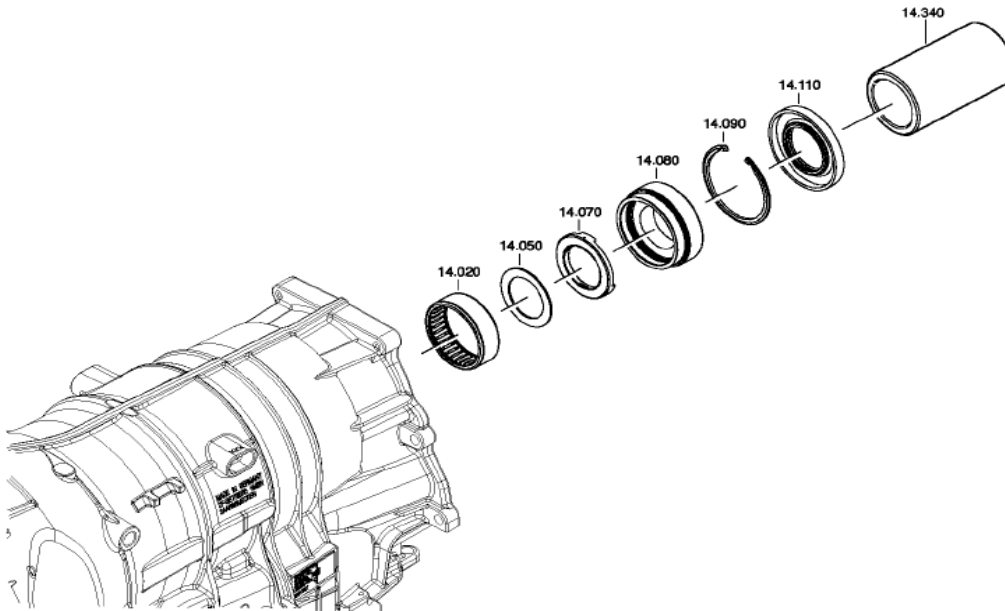
| Position # | Description          | Quantity | Notes  |
|------------|----------------------|----------|--|
| 71.010     | INPUT SHAFT          | 1        |  |
| 71.020     | PISTON               | 1        |  |
| 71.030     | ROUND SEALING RING   | 1        | Included in overhaul kit; see page 39.       |
| 71.040     | ROUND SEALING RING   | 1        | Included in overhaul kit; see page 39.       |
| 71.060     | CUP SPRING           | 1        |  |
| 71.080     | OIL DAM              | 1        |  |
| 71.090     | ROUND SEALING RING   | 1        | Included in overhaul kit; see page 39.       |
| 71.094     | FIXING PLATE         | 1        |  |
| 71.100     | SNAP RING            | 1        | 2.50 mm                                      |
| 71.140     | UNDULATING SPRING    | 1        |  |
| 71.150     | STEEL PLATE          | 7        | Included in steel kit; see pages 37 & 38.    |
| 71.160     | FRICTION PLATE       | 7        | Included in friction kit; see pages 35 & 36. |
| 71.170     | END PLATE            | 1        | Included in steel kit; see pages 37 & 38.    |
| 71.180     | SNAP RING            | 1        | Selective snap ring; see page 33.            |
| 71.190     | PISTON RING          | 3        | Included in overhaul kit; see page 39.       |
| 71.240     | SUN GEAR SHAFT       | 1        |  |
| 71.260     | AXIAL NEEDLE BEARING | 1        |  |
| 71.280     | INTERMEDIATE SHAFT   | 1        |  |
| 71.290     | AXIAL NEEDLE BEARING | 1        |  |
| 71.300     | DISC CARRIER         | 1        |  |
| 71.310     | SNAP RING            | 1        |  |
| 71.330     | ANGLE DISC           | 1        |  |





**OUTPUT GROUP**

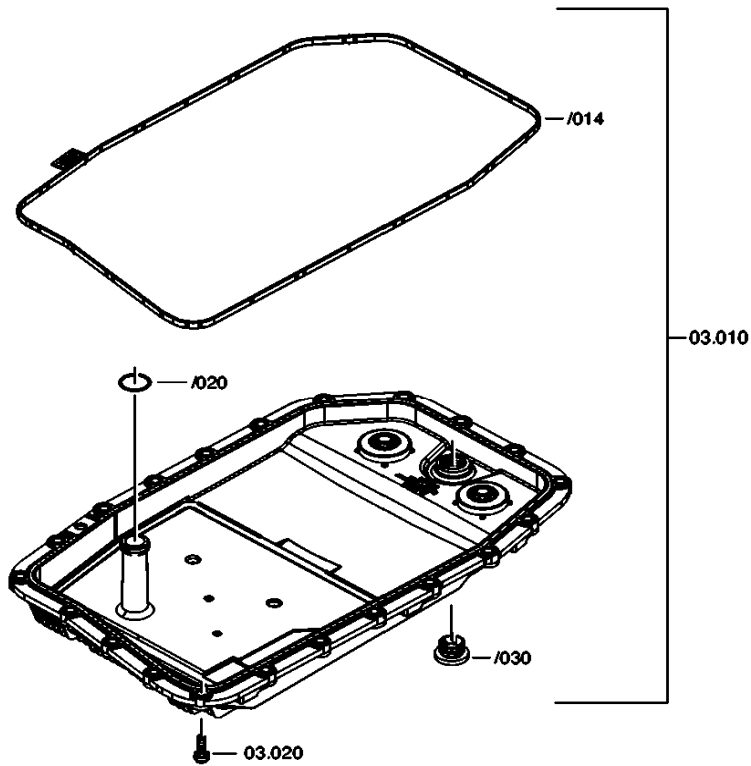
| Position # | Description          | Quantity | Notes                                  |
|------------|----------------------|----------|--|
| 14.020     | NEEDLE SLEEVE        | 1        |  |
| 14.050     | SHIM                 | 1        | Selective shim; see page 31.           |
| 14.070     | AXIAL NEEDLE BEARING | 1        |  |
| 14.080     | SUPPORT SHIM         | 1        |  |
| 14.090     | SNAP RING            | 1        |  |
| 14.110     | SHAFT SEAL           | 1        | Included in overhaul kit; see page 39. |
| 14.340     | PROTECTING CAP       | 1        |  |





**FILTER GROUP GENERAL**

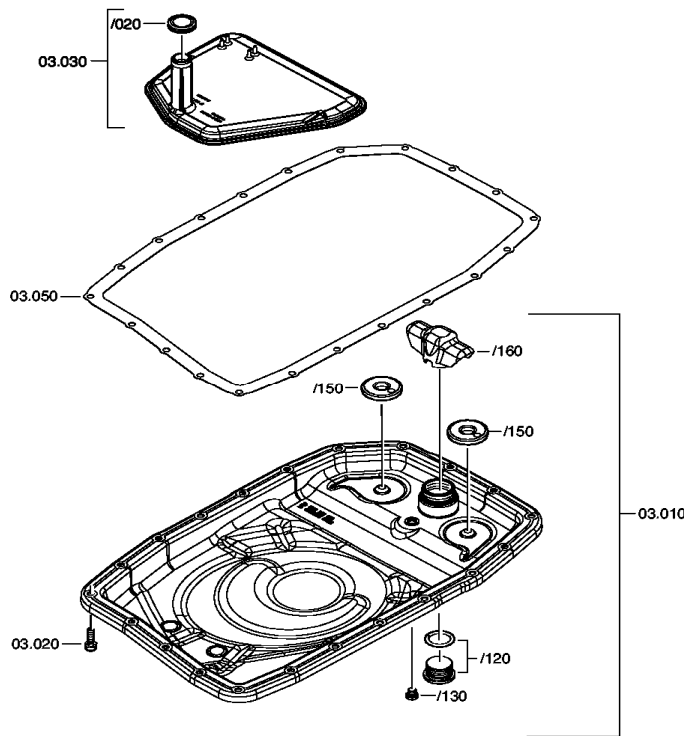
| Position # | Description        | Quantity | Notes                                  |
|------------|--------------------|----------|--|
| 03.010     | FILTER             | 1        | Included in filter kit; see page 35.   |
| 03.010/014 | GASKET             | 1        | Included in overhaul kit; see page 40. |
| 03.010/020 | ROUND SEALING RING | 1        | Included in overhaul kit; see page 40. |
| 03.010/030 | SCREW PLUG         | 1        | Included in overhaul kit; see page 40. |
| 03.020     | TORX SCREW         | 21       | M6X28.5                                |





**FILTER GROUP BMW**

| Position # | Description                        | Quantity | Notes   |
|------------|------------------------------------|----------|---|
| 03.010     | PAN ASSEMBLY                       | 1        |   |
| 03.010/120 | SCREW PLUG WITH ROUND SEALING RING | 1        | M30X1.5                                       |
| 03.010/130 | SCREW PLUG                         | 1        | M10X1; Included in overhaul kit; see page 40. |
| 03.010/150 | MAGNET                             | 2        |   |
| 03.010/160 | CAP                                | 1        |   |
| 03.020     | TORX SCREW                         | 21       | M6X22.5                                       |
| 03.030     | OIL FILTER                         | 1        |   |
| 03.030/20  | SEALING RING                       | 1        | Included in overhaul kit; see page 40.        |
| 03.050     | GASKET                             | 1        | Included in overhaul kit; see page 40.        |

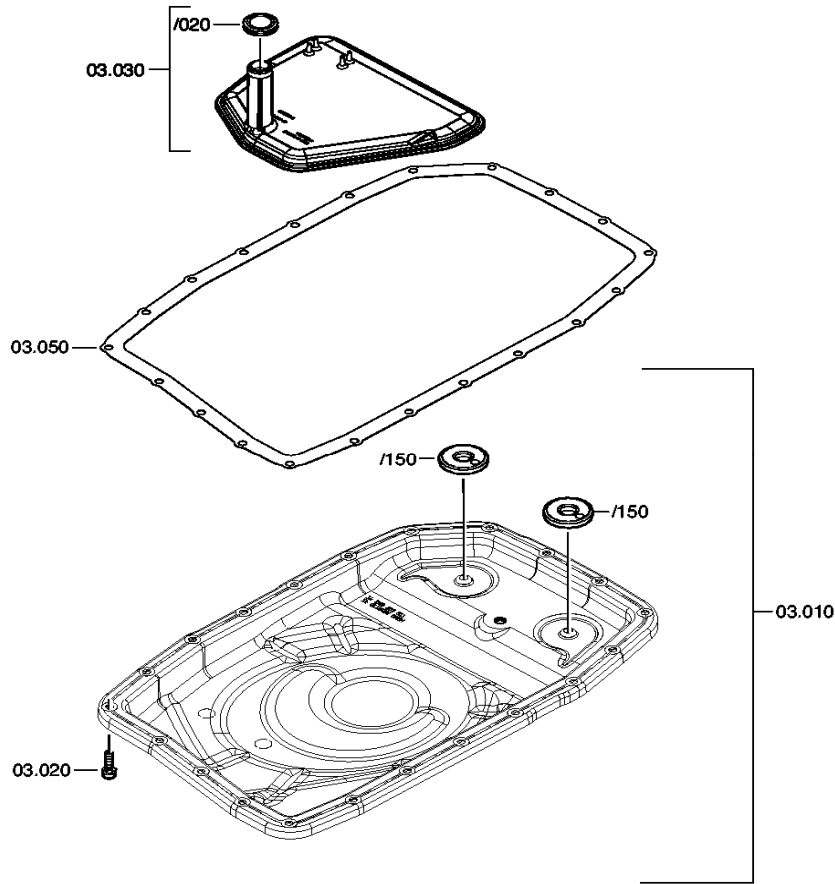






**FILTER GROUP Ford**

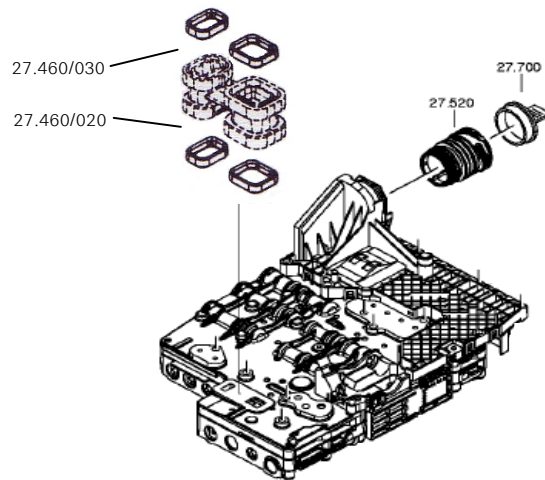
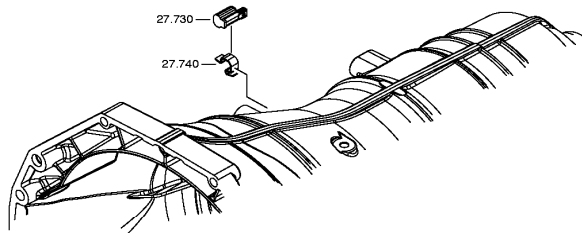
| Position # | Description  | Quantity | Notes                                  |
|------------|--------------|----------|--|
| 03.010     | FILTER       | 1        | Included in filter kit; see page 35.   |
| 03.010/150 | MAGNET       | 2        |  |
| 03.020     | TORX SCREW   | 21       | M6X22.5                                |
| 03.030     | OIL FILTER   | 1        |  |
| 03.030/020 | SEALING RING | 1        | Included in overhaul kit; see page 40. |
| 03.050     | GASKET       | 1        | Included in overhaul kit; see page 40. |





**MECHATRONIC GROUP**

| Position # | Description  | Quantity | Notes   |
|------------|--------------|----------|---|
| 27.460/020 | GASKET       | 2        | Only available in overhaul kit; see page 40.      |
| 27.460/030 | GASKET       | 2        | Only available in overhaul kit; see page 40.      |
| 27.520     | GUIDE SLEEVE | 1        | Included in overhaul kit; see page 40.            |
| 27.700     | CAP          | 1        |   |
| 27.730     | CAPACITOR    | 1        |   |
| 27.740     | CLAMP        | 1        |   |
| N/A        | MECHATRONIC  | 1        | Only complete Service-Mechatronics are available. |



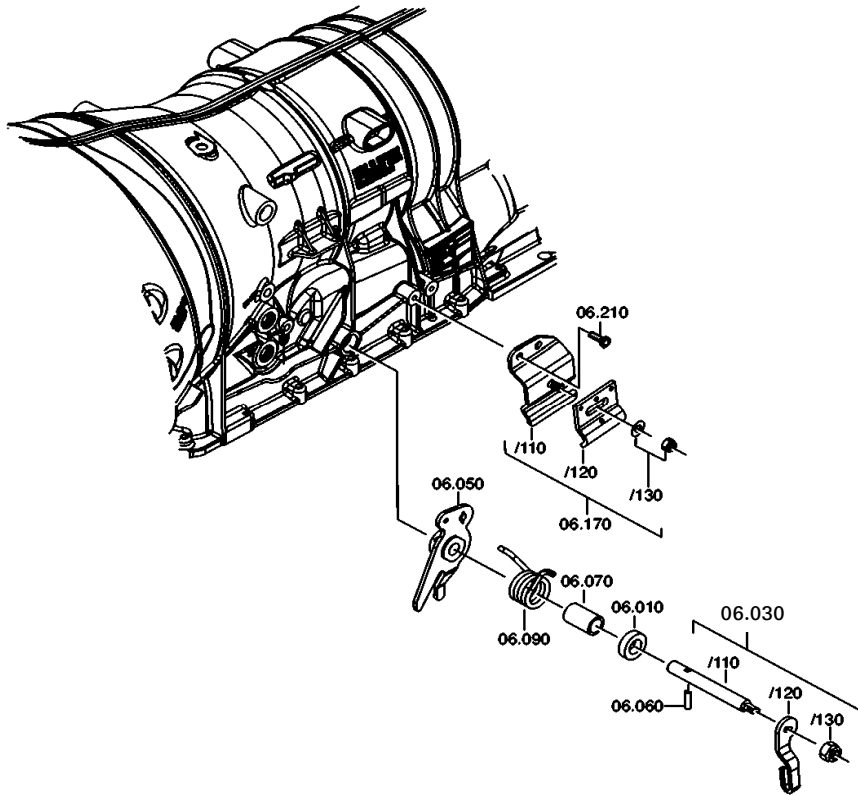
**CAUTION!**

Only complete Service-Mechatronics are available.

Contact your local ZF Parts distributor for more information.

**GEARSHIFT SYSTEM E-SHIFT GROUP**

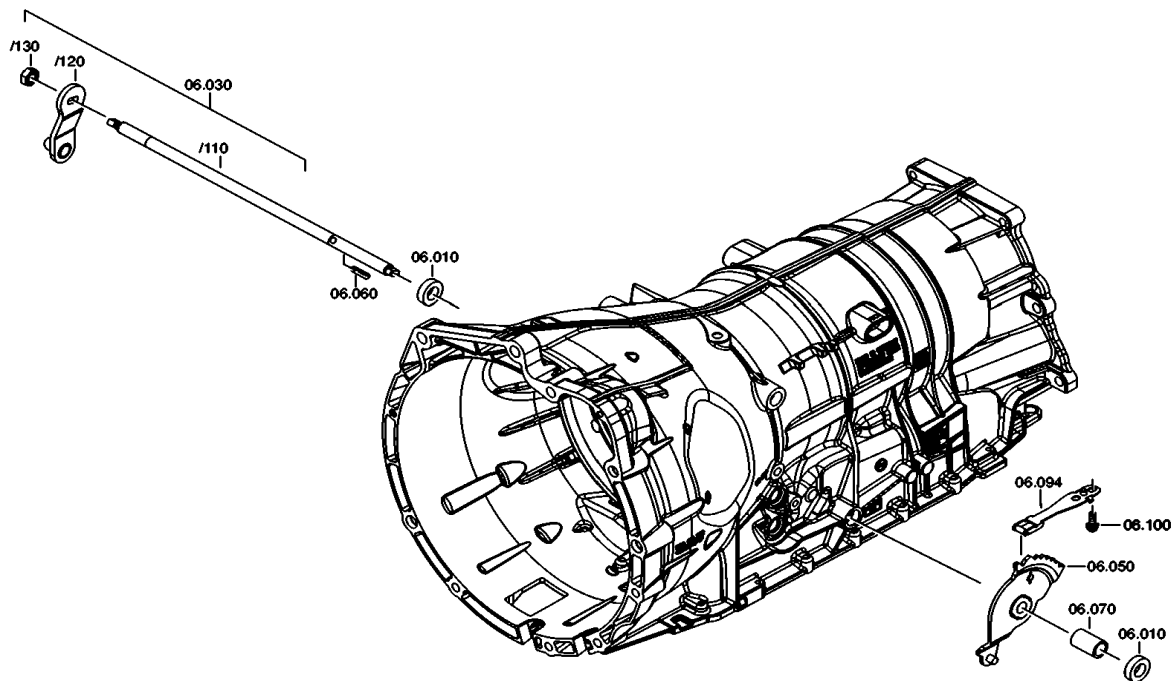
| Position # | Description       | Quantity | Notes   |
|------------|-------------------|----------|---|
| 06.010     | SHAFT SEAL        | 1        | 10X18X5; Included in overhaul kit; see page 40. |
| 06.030     | SELECTOR SHAFT    | 1        |   |
| 06.030/110 | SELECTOR SHAFT    | 1        |   |
| 06.030/120 | LEVER             | 1        |   |
| 06.030/130 | HEXAGON NUT       | 1        | M8X1  |
| 06.050     | PARKING LOCK DISC | 1        |   |
| 06.060     | CLAMPING SLEEVE   | 1        |   |
| 06.070     | PIPE              | 1        |   |
| 06.090     | LEG SPRING        | 1        |   |
| 06.170     | ANGLE BRACKET     | 1        |   |
| 06.170/110 | ANGLE BRACKET     | 1        |   |
| 06.170/120 | ANGLE BRACKET     | 1        |   |
| 06.170/130 | HEXAGON NUT       | 1        |   |
| 06.210     | CAP SCREW         | 2        |   |





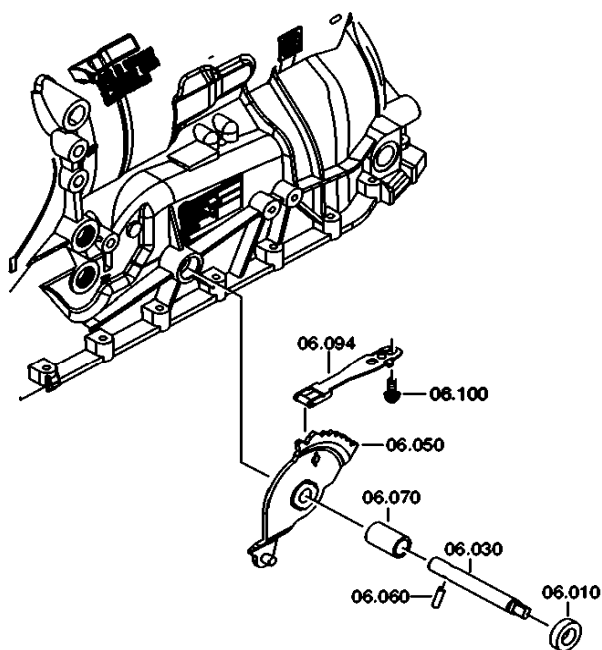
**GEARSHIFT SYSTEM M-SHIFT GROUP BMW**

| Position # | Description     | Quantity | Notes   |
|------------|-----------------|----------|---|
| 06.010     | SHAFT SEAL      | 2        | 10X18X5; Included in overhaul kit; see page 40. |
| 06.030     | SELECTOR SHAFT  | 1        |   |
| 06.030/110 | SELECTOR SHAFT  | 1        |   |
| 06.030/120 | SELECTOR LEVER  | 1        |   |
| 06.030/130 | HEXAGON NUT     | 1        | M8X1  |
| 06.050     | ROOSTER COMB    | 1        |   |
| 06.060     | CLAMPING SLEEVE | 1        |   |
| 06.070     | PIPE            | 1        |   |
| 06.094     | DETENT SPRING   | 1        |   |
| 06.100     | TORX SCREW      | 2        | M6X13   |



**GEARSHIFT SYSTEM M-SHIFT GROUP BMW**

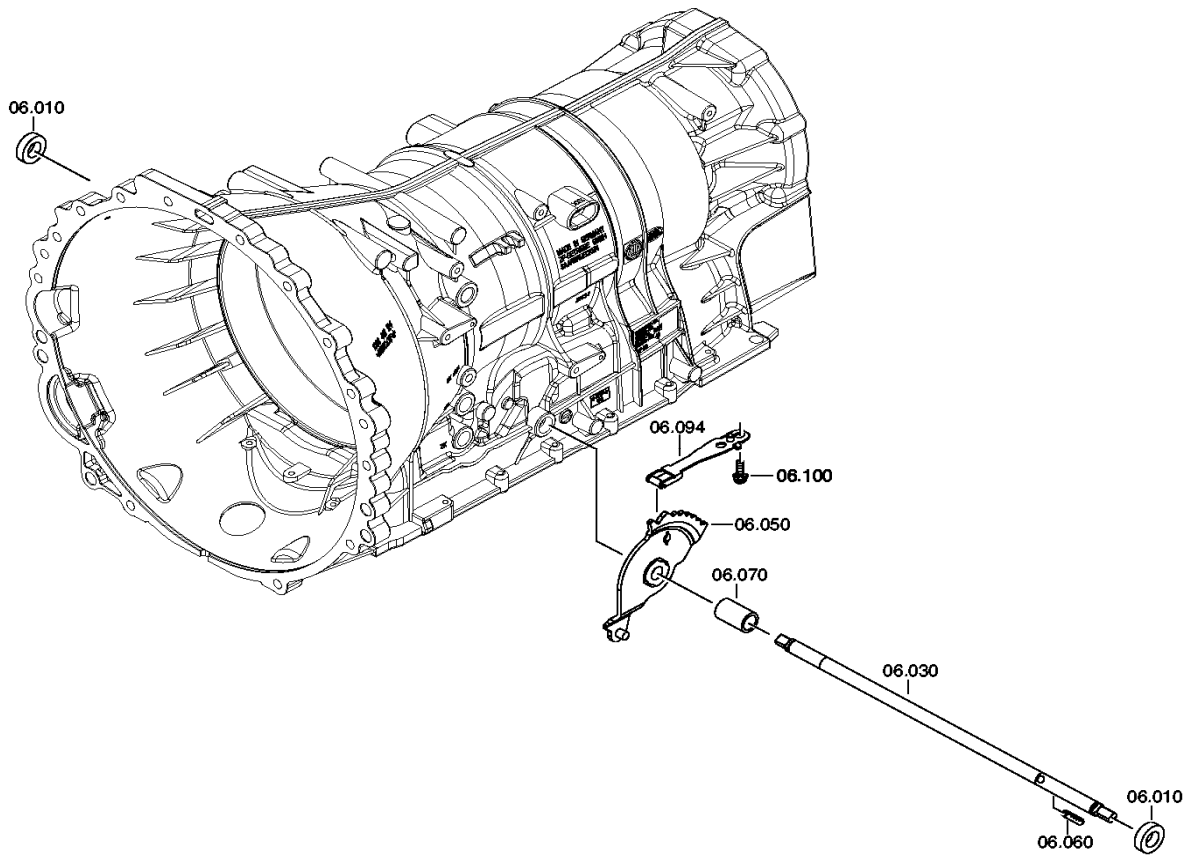
| Position # | Description     | Quantity | Notes   |
|------------|-----------------|----------|---|
| 06.010     | SHAFT SEAL      | 1        | 10X18X5; Included in overhaul kit; see page 40. |
| 06.030     | SELECTOR SHAFT  | 1        |   |
| 06.050     | ROOSTER COMB    | 1        |   |
| 06.060     | CLAMPING SLEEVE | 1        |   |
| 06.070     | PIPE            | 1        | 22.50 mm  |
| 06.094     | DETENT SPRING   | 1        |   |
| 06.100     | TORX SCREW      | 2        | M6X13   |





**GEARSHIFT SYSTEM M-SHIFT GROUP LAND ROVER**

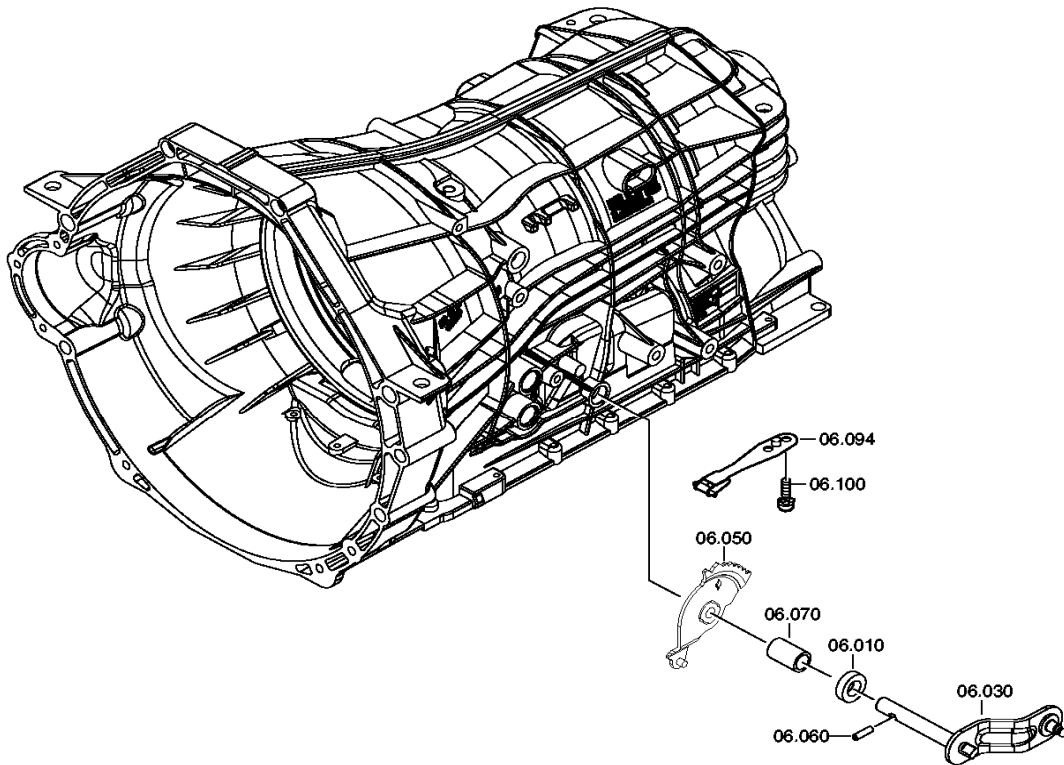
| Position # | Description     | Quantity | Notes   |
|------------|-----------------|----------|---|
| 06.010     | SHAFT SEAL      | 2        | 10X18X5; Included in overhaul kit; see page 40. |
| 06.030     | SELECTOR SHAFT  | 1        |   |
| 06.050     | ROOSTER COMB    | 1        |   |
| 06.060     | CLAMPING SLEEVE | 1        |   |
| 06.070     | PIPE            | 1        | 22.50 mm  |
| 06.094     | DETENT SPRING   | 1        |   |
| 06.100     | TORX SCREW      | 2        | M6X13   |





**GEARSHIFT SYSTEM M-SHIFT GROUP Ford**

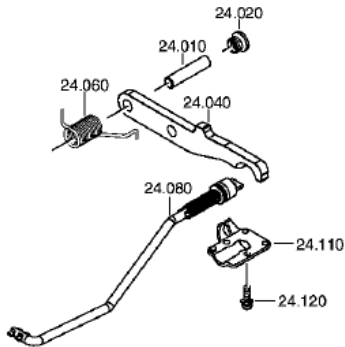
| Position # | Description     | Quantity | Notes   |
|------------|-----------------|----------|---|
| 06.010     | SHAFT SEAL      | 1        | 10X18X5; Included in overhaul kit; see page 40. |
| 06.030     | SELECTOR SHAFT  | 1        |   |
| 06.050     | ROOSTER COMB    | 1        |   |
| 06.060     | CLAMPING SLEEVE | 1        |   |
| 06.070     | PIPE            | 1        | 22.50 mm  |
| 06.094     | DETENT SPRING   | 1        |   |
| 06.100     | TORX SCREW      | 2        | M6X13   |





**PARKING LOCK GROUP**

| Position # | Description    | Quantity | Notes                                  |
|------------|----------------|----------|--|
| 24.010     | PIN            | 1        |  |
| 24.020     | SCREW PLUG     | 1        | Included in overhaul kit; see page 40. |
| 24.040     | PAWL           | 1        |  |
| 24.060     | LEG SPRING     | 1        |  |
| 24.080     | CONNECTING BAR | 1        |  |
| 24.110     | GUIDING PLATE  | 1        |  |
| 24.120     | TORX SCREW     | 4        | M6X20                                  |







## 6HP26X 1068 020 XXX / 6HP28X 1068 050 XXX SELECTIVE SHIMS

## 6HP26X / 6HP28X SELECTIVE SHIM

| Position #   | Select. Parts          | Description | Quantity |      | Notes |
|--------------|------------------------|-------------|----------|------|-------|
| 10.090       | <b>OIL SUPPLY SHIM</b> |             |          |      |       |
|              | 0730.009.529           | SHIM        | 1        | 4.80 |       |
|              | 0730.009.528           | SHIM        | 1        | 4.60 |       |
|              | 0730.009.527           | SHIM        | 1        | 4.40 |       |
|              | 0730.009.526           | SHIM        | 1        | 4.20 |       |
|              | 0730.009.525           | SHIM        | 1        | 4.00 |       |
|              | 0730.009.524           | SHIM        | 1        | 3.80 |       |
|              | 0730.009.523           | SHIM        | 1        | 3.60 |       |
|              | 0730.009.522           | SHIM        | 1        | 3.40 |       |
|              | 0730.009.521           | SHIM        | 1        | 3.20 |       |
|              | 0730.009.520           | SHIM        | 1        | 3.00 |       |
|              | 0730.009.519           | SHIM        | 1        | 2.80 |       |
| 0730.009.518 | SHIM                   | 1           | 2.60     |      |       |

## 6HP26X / 6HP28X SELECTIVE SHIM

| Position # | Select. Parts      | Description | Quantity |      | Notes |
|------------|--------------------|-------------|----------|------|-------|
| 14.050     | <b>OUTPUT SHIM</b> |             |          |      |       |
|            | 0730.009.771       | SHIM        | 1        | 2.80 |       |
|            | 0730.009.770       | SHIM        | 1        | 2.60 |       |
|            | 0730.009.769       | SHIM        | 1        | 2.40 |       |
|            | 0730.009.768       | SHIM        | 1        | 2.20 |       |
|            | 0730.009.767       | SHIM        | 1        | 2.00 |       |
|            | 0730.009.766       | SHIM        | 1        | 1.80 |       |
|            | 0730.009.765       | SHIM        | 1        | 1.60 |       |
|            | 0730.009.764       | SHIM        | 1        | 1.40 |       |



## 6HP26X 1068 020 XXX / 6HP28X 1068 050 XXX SELECTIVE SNAP RINGS

## 6HP26X / 6HP28X SELECTIVE SNAP RING

| Position #   | Select. Parts               | Description | Quantity | Notes |
|--------------|-----------------------------|-------------|----------|-------|
| 70.170       | <b>COUPLING A SNAP RING</b> |             |          |       |
|              | 0730.513.791                | SNAP RING   | 1        | 4.60  |
|              | 0730.513.790                | SNAP RING   | 1        | 4.40  |
|              | 0730.513.789                | SNAP RING   | 1        | 4.20  |
|              | 0730.513.788                | SNAP RING   | 1        | 4.00  |
|              | 0730.513.787                | SNAP RING   | 1        | 3.80  |
|              | 0730.513.786                | SNAP RING   | 1        | 3.60  |
|              | 0730.513.785                | SNAP RING   | 1        | 3.40  |
|              | 0730.513.784                | SNAP RING   | 1        | 3.20  |
|              | 0730.513.783                | SNAP RING   | 1        | 3.00  |
|              | 0730.513.782                | SNAP RING   | 1        | 2.80  |
|              | 0730.513.781                | SNAP RING   | 1        | 2.60  |
|              | 0730.513.780                | SNAP RING   | 1        | 2.40  |
| 0730.513.779 | SNAP RING                   | 1           | 2.20     |       |

## 6HP26X / 6HP28X SELECTIVE SNAP RING

| Position #   | Select. Parts               | Description | Quantity | Notes |
|--------------|-----------------------------|-------------|----------|-------|
| 72.170       | <b>COUPLING B SNAP RING</b> |             |          |       |
|              | 0730.513.791                | SNAP RING   | 1        | 4.60  |
|              | 0730.513.790                | SNAP RING   | 1        | 4.40  |
|              | 0730.513.789                | SNAP RING   | 1        | 4.20  |
|              | 0730.513.788                | SNAP RING   | 1        | 4.00  |
|              | 0730.513.787                | SNAP RING   | 1        | 3.80  |
|              | 0730.513.786                | SNAP RING   | 1        | 3.60  |
|              | 0730.513.785                | SNAP RING   | 1        | 3.40  |
|              | 0730.513.784                | SNAP RING   | 1        | 3.20  |
|              | 0730.513.783                | SNAP RING   | 1        | 3.00  |
|              | 0730.513.782                | SNAP RING   | 1        | 2.80  |
|              | 0730.513.781                | SNAP RING   | 1        | 2.60  |
|              | 0730.513.780                | SNAP RING   | 1        | 2.40  |
| 0730.513.779 | SNAP RING                   | 1           | 2.20     |       |

## 6HP26X / 6HP28X SELECTIVE SNAP RING

| Position #   | Select. Parts               | Description | Quantity | Notes |
|--------------|-----------------------------|-------------|----------|-------|
| 75.180       | <b>COUPLING C SNAP RING</b> |             |          |       |
|              | 0730.513.791                | SNAP RING   | 1        | 4.60  |
|              | 0730.513.790                | SNAP RING   | 1        | 4.40  |
|              | 0730.513.789                | SNAP RING   | 1        | 4.20  |
|              | 0730.513.788                | SNAP RING   | 1        | 4.00  |
|              | 0730.513.787                | SNAP RING   | 1        | 3.80  |
|              | 0730.513.786                | SNAP RING   | 1        | 3.60  |
|              | 0730.513.785                | SNAP RING   | 1        | 3.40  |
|              | 0730.513.784                | SNAP RING   | 1        | 3.20  |
|              | 0730.513.783                | SNAP RING   | 1        | 3.00  |
|              | 0730.513.782                | SNAP RING   | 1        | 2.80  |
|              | 0730.513.781                | SNAP RING   | 1        | 2.60  |
|              | 0730.513.780                | SNAP RING   | 1        | 2.40  |
| 0730.513.779 | SNAP RING                   | 1           | 2.20     |       |

For a distributor in your area call ZF at 1-800-451-2595 or visit our website at [www.zf.com/na](http://www.zf.com/na).



**6HP26X 1068 020 XXX / 6HP28X 1068 050 XXX SELECTIVE SNAP RINGS**

**6HP26X / 6HP28X SELECTIVE SNAP RING**

| Position #   | Select. Parts               | Description | Quantity | Notes |
|--------------|-----------------------------|-------------|----------|-------|
| 71.180       | <b>COUPLING E SNAP RING</b> |             |          |       |
|              | 1058.370.017                | SNAP RING   | 1        | 3.60  |
|              | 1058.370.016                | SNAP RING   | 1        | 3.40  |
|              | 1058.370.015                | SNAP RING   | 1        | 3.20  |
|              | 1058.370.014                | SNAP RING   | 1        | 3.00  |
|              | 1058.370.013                | SNAP RING   | 1        | 2.80  |
|              | 1058.370.012                | SNAP RING   | 1        | 2.60  |
|              | 1058.370.011                | SNAP RING   | 1        | 2.40  |
|              | 1058.370.021                | SNAP RING   | 1        | 2.20  |
|              | 1058.370.024                | SNAP RING   | 1        | 2.00  |
| 1058.370.023 | SNAP RING                   | 1           | 1.80     |       |



**6HP26X 1068 020 XXX / 6HP28X 1068 050 XXX SELECTIVE STEEL PLATE**

**6HP26X / 6HP28X SELECTIVE STEEL PLATE**

| Position # | Select. Parts                 | Description | Quantity | Notes |
|------------|-------------------------------|-------------|----------|-------|
| 73.260     | <b>COUPLING D STEEL PLATE</b> |             |          |       |
|            | 1068.377.026                  | STEEL PLATE | 1        | 4.20  |
|            | 1068.377.021                  | STEEL PLATE | 1        | 3.90  |
|            | 1068.377.025                  | STEEL PLATE | 1        | 3.60  |
|            | 1068.377.024                  | STEEL PLATE | 1        | 3.30  |
|            | 1068.377.020                  | STEEL PLATE | 1        | 3.00  |
|            | 1068.377.023                  | STEEL PLATE | 1        | 2.70  |
|            | 1068.377.022                  | STEEL PLATE | 1        | 2.40  |
|            | 1068.377.019                  | STEEL PLATE | 1        | 2.10  |
|            | 1068.377.029                  | STEEL PLATE | 1        | 1.80  |



Kits Content

6HP26X / 6HP28X Kits Content

**6HP26X / 6HP28X Filter Kit (Plastic Oil Pan) – 1068 298 033**

| Position # | ZF Part #    | Description           | Quantity | Where used<br>(1068 ____) | Notes |
|------------|--------------|-----------------------|----------|---------------------------|-------|
| 03.010     | 1068 298 033 | Plastic Oil Pan incl. | 1        | All                       |       |
|            |              | Filter                | 1        | All                       |       |
|            |              | Gasket                | 1        | All                       |       |
|            |              | Round Sealing Ring    | 1        | All                       |       |

**6HP26X Friction Kit – 1068 298 034**

| Position # | ZF Part #    | Description      | Quantity | Where used<br>(1068 ____) | Notes |
|------------|--------------|------------------|----------|---------------------------|-------|
| 70.150     | 1068 277 004 | Friction Plate A | 5        | See Chart Below           |       |
| 71.160     | 1068 271 018 | Friction Plate E | 7        | See Chart Below           |       |
| 72.150     | 1068 277 002 | Friction Plate B | 5        | See Chart Below           |       |
| 73.250     | 1068 277 004 | Friction Plate D | 7        | See Chart Below           |       |
| 75.120     | 1068 277 002 | Friction Plate C | 5        | See Chart Below           |       |

| <b>6HP26X</b>   |
|-----------------|
| <b>1068 020</b> |
| 002 to 004      |
| 011             |
| 014             |
| 018             |
| 020             |
| 027             |
| 029 to 030      |
| 033 to 038      |
| 043 to 047      |
| 051             |
| 054             |
| 057             |
| 064 to 066      |
| 076             |



Kits Content

6HP26X / 6HP28X Kits Content

**6HP26X Friction Kit – 1068 298 035**

| Position # | ZF Part #    | Description      | Quantity | Where used<br>(1068 ____) | Notes |
|------------|--------------|------------------|----------|---------------------------|-------|
| 70.150     | 1068 277 004 | Friction Plate A | 5        | See Chart Below           |       |
| 71.160     | 1068 271 080 | Friction Plate E | 6        | See Chart Below           |       |
| 72.150     | 1068 277 002 | Friction Plate B | 5        | See Chart Below           |       |
| 73.250     | 1068 277 004 | Friction Plate D | 7        | See Chart Below           |       |
| 75.120     | 1068 277 002 | Friction Plate C | 5        | See Chart Below           |       |

| 6HP26X<br>1068 020 ____ |
|-------------------------|
| 052 to 053              |
| 055                     |
| 058 to 059              |
| 068 to 072              |
| 074 to 075              |
| 078                     |

**6HP26X / 6HP28X Friction Kit – 1068 298 036**

| Position # | ZF Part #    | Description      | Quantity | Where used<br>(1068 ____) | Notes |
|------------|--------------|------------------|----------|---------------------------|-------|
| 70.150     | 1068 277 011 | Friction Plate A | 5        | See Chart Below           |       |
| 71.160     | 1068 271 080 | Friction Plate E | 7        | See Chart Below           |       |
| 72.150     | 1068 277 002 | Friction Plate B | 5        | See Chart Below           |       |
| 73.250     | 1068 277 011 | Friction Plate D | 7        | See Chart Below           |       |
| 75.120     | 1068 277 002 | Friction Plate C | 5        | See Chart Below           |       |

| 6HP26X<br>1068 020 ____ | 6HP28X<br>1068 050 ____ |
|-------------------------|-------------------------|
| 060 to 061              | 001 to 004              |
|                         | 007 to 015              |



Kits Content

6HP26X / 6HP28X Kits Content

**6HP26X / 6HP28X Steel Kit – 1068 298 037**

| Position # | ZF Part #    | Description     | Quantity | Where used<br>(1068 _____) | Notes |
|------------|--------------|-----------------|----------|----------------------------|-------|
| 70.140     | 1068 377 020 | Steel Plate A   | 6        | See Chart Below            |       |
| 71.150     | 1068 371 030 | Steel Plate E   | 6        | See Chart Below            |       |
| 71.170     | 1068 371 069 | End Plate E     | 1        | See Chart Below            |       |
| 72.140     | 1068 377 019 | Steel Plate B   | 5        | See Chart Below            |       |
| 72.144     | 1068 372 043 | End Plate B     | 1        | See Chart Below            |       |
| 73.240     | 1068 377 019 | Steel Plate D   | 7        | See Chart Below            |       |
| 73.260     | 1068 377 026 | End Plate D 4.2 | 1        | See Chart Below            |       |
| 73.260     | 1068 377 021 | End Plate D 3.9 | 1        | See Chart Below            |       |
| 73.260     | 1068 377 025 | End Plate D 3.6 | 1        | See Chart Below            |       |
| 73.260     | 1068 377 024 | End Plate D 3.3 | 1        | See Chart Below            |       |
| 73.260     | 1068 377 020 | End Plate D 3.0 | 1        | See Chart Below            |       |
| 73.260     | 1068 377 023 | End Plate D 2.7 | 1        | See Chart Below            |       |
| 73.260     | 1068 377 022 | End Plate D 2.4 | 1        | See Chart Below            |       |
| 73.260     | 1068 377 019 | End Plate D 2.1 | 1        | See Chart Below            |       |
| 73.260     | 1068 377 029 | End Plate D 1.8 | 1        | See Chart Below            |       |
| 75.140     | 1068 377 020 | Steel Plate C   | 5        | See Chart Below            |       |
| 75.160     | 1068 377 021 | End Plate C     | 1        | See Chart Below            |       |

| 6HP26X<br>1068 020 _____ | 6HP28X<br>1068 050 _____ |
|--------------------------|--------------------------|
| 002 to 004               | 003 to 004               |
| 011                      | 008                      |
| 014                      | 010 to 011               |
| 018                      | 014 to 015               |
| 020                      |                          |
| 027                      |                          |
| 029 to 030               |                          |
| 033 to 039               |                          |
| 043 to 047               |                          |
| 051 to 054               |                          |
| 057 to 061               |                          |
| 064 to 066               |                          |
| 068 to 069               |                          |
| 072                      |                          |
| 074                      |                          |
| 076                      |                          |



Kits Content

6HP26X / 6HP28X Kits Content

**6HP26X / 6HP28X Steel Kit – 1068 298 038**

| Position # | ZF Part #    | Description     | Quantity | Where used<br>(1068 _____) | Notes |
|------------|--------------|-----------------|----------|----------------------------|-------|
| 70.140     | 1068 377 020 | Steel Plate A   | 6        | See Chart Below            |       |
| 71.150     | 1068 371 047 | Steel Plate E   | 7        | See Chart Below            |       |
| 71.170     | 1068 371 069 | End Plate E     | 1        | See Chart Below            |       |
| 72.140     | 1068 377 019 | Steel Plate B   | 5        | See Chart Below            |       |
| 72.144     | 1068 372 043 | End Plate B     | 1        | See Chart Below            |       |
| 73.240     | 1068 377 019 | Steel Plate D   | 7        | See Chart Below            |       |
| 73.260     | 1068 377 026 | End Plate D 4.2 | 1        | See Chart Below            |       |
| 73.260     | 1068 377 021 | End Plate D 3.9 | 1        | See Chart Below            |       |
| 73.260     | 1068 377 025 | End Plate D 3.6 | 1        | See Chart Below            |       |
| 73.260     | 1068 377 024 | End Plate D 3.3 | 1        | See Chart Below            |       |
| 73.260     | 1068 377 020 | End Plate D 3.0 | 1        | See Chart Below            |       |
| 73.260     | 1068 377 023 | End Plate D 2.7 | 1        | See Chart Below            |       |
| 73.260     | 1068 377 022 | End Plate D 2.4 | 1        | See Chart Below            |       |
| 73.260     | 1068 377 019 | End Plate D 2.1 | 1        | See Chart Below            |       |
| 73.260     | 1068 377 029 | End Plate D 1.8 | 1        | See Chart Below            |       |
| 75.140     | 1068 377 020 | Steel Plate C   | 5        | See Chart Below            |       |
| 75.160     | 1068 377 021 | End Plate C     | 1        | See Chart Below            |       |

| 6HP26X<br>1068 020 _____ | 6HP28X<br>1068 050 _____ |
|--------------------------|--------------------------|
| 055                      | 001 to 002               |
| 070 to 071               | 007                      |
| 075                      | 009                      |
| 078                      | 012 to 013               |





Kits Content

6HP26X / 6HP28X Kits Content

6HP26X / 6HP28X Overhaul Kit – 1068 298 030

| Position # | ZF Part #    | Description         | Quantity | Where used      |          | Notes           |
|------------|--------------|---------------------|----------|-----------------|----------|-----------------|
|            |              |                     |          | 1068 020        | 1068 050 |                 |
| 01.050     | 0734 317 370 | Sealing Sleeve      | 2        | All             |          | Gearbox housing |
| 01.060     | 0734 317 371 | Sealing Sleeve      | 1        | All             |          | Gearbox housing |
| 01.064     | 0734 317 372 | Sealing Sleeve      | 1        | All             |          | Gearbox housing |
| 01.100     | 0501 321 921 | Screw Plug          | 1        | All             |          | Gearbox housing |
| 01.220     | 0501 321 922 | Plug                | 1        | All             |          | Gearbox housing |
| 10.010/170 | 0750 111 436 | Shaft Seal          | 1        | Ford            |          | Oil supply      |
| 10.010/170 | 0734 319 695 | Shaft Seal          | 1        | All except Ford |          | Oil supply      |
| 10.020     | 0734 313 083 | Round Sealing Ring  | 1        | All             |          | Oil supply      |
| 10.040/160 | 0734 401 291 | Piston Ring         | 1        | All             |          | Oil supply      |
| 10.040/170 | 0734 401 295 | Piston Ring         | 1        | All             |          | Oil supply      |
| 10.070     | 0734 313 064 | Round Sealing Ring  | 1        | All             |          | Oil supply      |
| 10.084     | 0750 112 076 | Usit Ring           | 14       | All             |          | Oil supply      |
| 70.040     | 0734 313 146 | Round Sealing Ring  | 1        | As needed       |          | Coupling A      |
| 70.040     | 0501 320 476 | Profiled Seal Ring  | 1        | As needed       |          | Coupling A      |
| 70.050     | 0734 313 028 | Round Sealing Ring  | 1        | As needed       |          | Coupling A      |
| 70.090     | 0734 313 180 | Round Sealing Ring  | 1        | As needed       |          | Coupling A      |
| 70.090     | 0501 320 477 | Profiled Seal Ring  | 1        | As needed       |          | Coupling A      |
| 72.050     | 0734 313 147 | Round Sealing Ring  | 1        | All             |          | Coupling B      |
| 72.060     | 1043 317 001 | Round Sealing Ring  | 1        | All             |          | Coupling B      |
| 72.100     | 0734 313 147 | Round Sealing Ring  | 1        | All             |          | Coupling B      |
| 72.200     | 0734 317 386 | Sealing Ring        | 2        | All             |          | Coupling B      |
| 75.040     | 0734 313 180 | Round Sealing Ring  | 1        | All             |          | Coupling C      |
| 75.040     | 0501 322 212 | Lipped Sealing Ring | 1        | 6HP28X          |          | Coupling C      |
| 75.050     | 0734 313 783 | Round Sealing Ring  | 1        | All             |          | Coupling C      |
| 75.050     | 0501 322 213 | Lipped Sealing Ring | 1        | 6HP28X          |          | Coupling C      |
| 73.020     | 0734 313 146 | Round Sealing Ring  | 1        | 6HP28X          |          | Coupling D      |
| 73.020     | 0501 322 211 | Lipped Sealing Ring | 1        | 6HP28X          |          | Coupling D      |
| 73.030     | 0734 313 029 | Round Sealing Ring  | 1        | All             |          | Coupling D      |
| 73.070     | 0734 313 008 | Round Sealing Ring  | 1        | All             |          | Coupling D      |
| 73.080     | 0734 313 033 | Round Sealing Ring  | 1        | All             |          | Coupling D      |
| 73.080     | 0734 313 033 | Round Sealing Ring  | 1        | 6HP28X          |          | Coupling D      |
| 71.030     | 0734 313 007 | Round Sealing Ring  | 1        | All             |          | Coupling E      |
| 71.040     | 0734 313 148 | Round Sealing Ring  | 1        | All             |          | Coupling E      |
| 71.090     | 0734 313 040 | Round Sealing Ring  | 1        | All             |          | Coupling E      |
| 71.190     | 0734 317 256 | Piston Ring         | 3        | As needed       |          | Coupling E      |
| 71.190     | 0734 317 392 | Sealing Ring        | 3        | As needed       |          | Coupling E      |
| 14.110     | 0734 319 633 | Shaft Seal          | 1        | All             |          | Output          |
| 14.110     | 0750 111 470 | Shaft Seal          | 1        | All             |          | Output          |

Continued on next page.



Kits Content

6HP26X / 6HP28X Kits Content

**6HP26X / 6HP28X Overhaul Kit – 1068 298 030**

| Position # | ZF Part #    | Description        | Quantity | Where used   |              | Notes            |
|------------|--------------|--------------------|----------|--------------|--------------|------------------|
|            |              |                    |          | 1068 020 ___ | 1068 050 ___ |                  |
| 03.010/014 | 0501 323 155 | Oil Pan Gasket     | 1        | All          |              | Filter           |
| 03.010/020 | 0501 319 012 | Round Sealing Ring | 1        | All          |              | Filter           |
| 03.010/030 | 0501 318 960 | Screw Plug         | 1        | All          |              | Filter           |
| 03.010/120 | 0734 313 176 | Round Sealing Ring | 1        | All          |              | Filter           |
| 03.010/130 | 0501 321 921 | Screw Plug         | 1        | All          |              | Filter           |
| 03.010/130 | 0501 321 921 | Screw Plug         | 1        | All          |              | Filter           |
| 03.030/020 | 0501 320 086 | Sealing Ring       | 1        | All          |              | Filter           |
| 03.050     | 1068 303 017 | Gasket             | 1        | All          |              | Filter           |
| 27.460/020 | 0501 321 776 | Gasket             | 2        | All          |              | Mechatronic      |
| 27.460/030 | 0501 321 777 | Gasket             | 2        | All          |              | Mechatronic      |
| 27.520     | 0501 216 272 | Guide Sleeve       | 1        | All          |              | Mechatronic      |
| 06.010     | 0734 319 801 | Shaft Seal         | 2        | All          |              | Gearshift system |
| 24.020     | 0501 214 941 | Screw Plug         | 1        | All          |              | Parking lock     |

**Kits may contain items not used in all applications.**