

**Subject**  
**Roof Opening Panel Shield Slides Back and Forth Whilst Driving and Braking**

**Model: S-TYPE**

**Year: 2002.5 to 2003**

**VIN M45255 to M80185**

**Section: 501-01**

**Body System - Interior**

**Summary**

S501-22: This Technical Bulletin has been issued to address customer concerns of the roof opening panel shield sliding back and forth while driving and braking.

**Action**

There is a possibility that on a number of vehicles within the above VIN range, the roof opening panel shield is fitted too loosely in the frame assembly. If a customer expresses a concern with the opening panel shield sliding to the closed position, whilst bringing the vehicle to a complete stop, and possibly sliding open whilst accelerating, two self adhesive Velcro strips are to be installed to the left and right hand interior panel tracks. Follow the workshop procedure outlined below.

**Workshop Procedure**

- 1 Open driver's door.
- 2 With the roof opening panel in the closed position. Slide the roof opening panel shield fully rearward.
- 3 Mark with masking tape on the headliner where the roof opening panel shield leading edge has stopped (see Fig. 1), both sides of the roof opening panel.

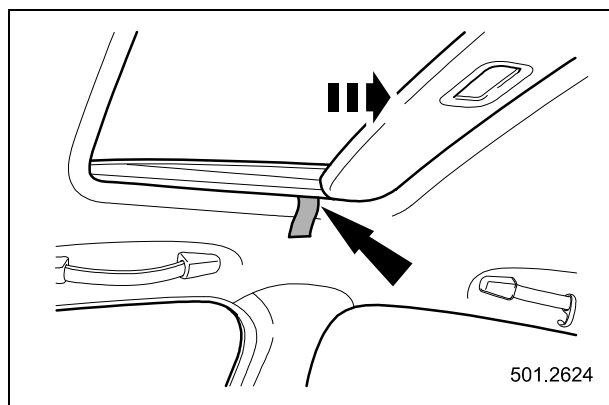


Fig. 1

- 4 Switch ignition 'ON'.
- 5 Operate the roof opening panel fully open rearward.

**Note: The roof opening panel shield will be carried further rearward.**

- 6 Place the Velcro strips to the front.
- 7 Pull apart the hard plastic hook tape from the softer loop tape, and discard hard plastic hook tape.
- 8 Cut two thin strips from the self adhesive softer loop tape 4.5mm wide and 75mm long.
- 9 Remove and discard the backing paper from the Velcro strips.

- 10 Apply the Velcro strips into both the right and left roof opening panel shield tracks of the frame assembly. With the front edge of the Velcro 25mm behind the tape mark (see Fig. 2).

**Note: The roof opening panel shield track is the upper of the two visible tracks.**

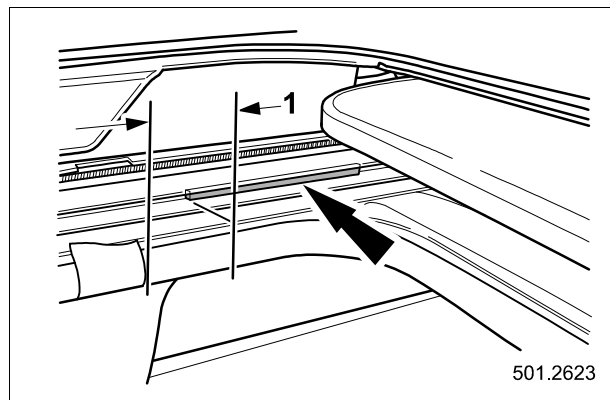


Fig. 2

- 11 Operate the roof opening panel to the fully closed position.  
 12 Switch ignition ' OFF' .  
 13 Close the roof opening panel shield.  
 14 Close driver' s door.

### Parts Information

Suitable Velcro to be locally sourced.

### Warranty Information

Description	SRO	Labor Time Allowance	Causal Part
Install two self adhesive Velcro strips to the roof opening panel shield tracks	76 94 41	0.2 Hours	XR8 13179