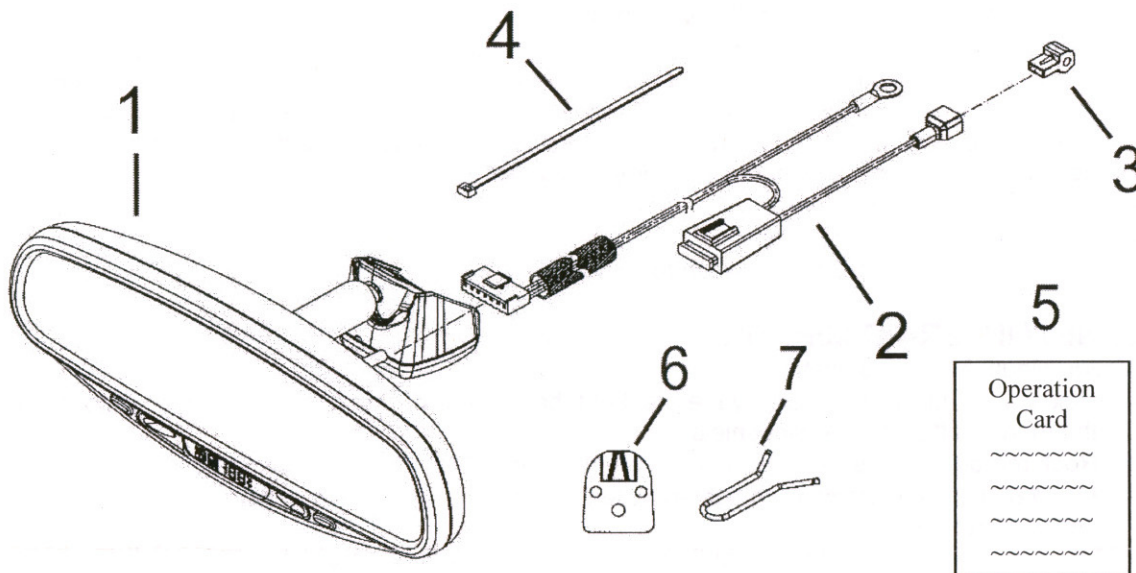


REAR VIEW MIRROR INSTALLATION GUIDE FOR WINDSHIELD MOUNT MIRRORS

READ ALL INSTRUCTIONS PRIOR TO START OF INSTALLATION

FEATURES			Wedge Mount Part Number	Camlock Mount Part Number
Prismatic Mirror	Map Lamp		36000	n/a
Auto-dimming			36100	36101
Auto-dimming	Compass		36200	36201
Auto-dimming	Compass	Map Lamps	36300	36301

PARTS LIST				
ITEM	COMPONENT	Wedge Mount	Camlock Mount	
1	MIRROR ASSEMBLY	1	1	
2	POWER WIRE HARNESS	1	1	
3	WIRE TAP	1	1	
4	WIRE TIE	5	5	
5	OPERATION CARD (Models 36200, 36201)	1	1	
6	WEDGE BUTTON FOR WINDSHIELD	1	0	
7	CAMLOCK MOUNT REPLACEMENT SPRING	0	1	



TOOLS REQUIRED

Clean rag
Flashlight

10 mm socket wrench
1/8" (small) flat screwdriver
wire cutter

Multi-meter electrical tester
Pliers
20 Torx screw driver (wedge only)

INSTALLATION PRECAUTIONS / NOTES:

- Do not use excessive force when removing OE mirror from windshield. The windshield button may separate from the windshield or the windshield may break.
- Compass Version Only – Do not handle EC mirror by the plastic compass pod below the mirror mount.
- Do not route wiring over sharp metal edges or allow to be pinched behind trim to avoid causing an electrical short or break in the wire.
- Manufacturer not responsible for installation related damage to vehicle.