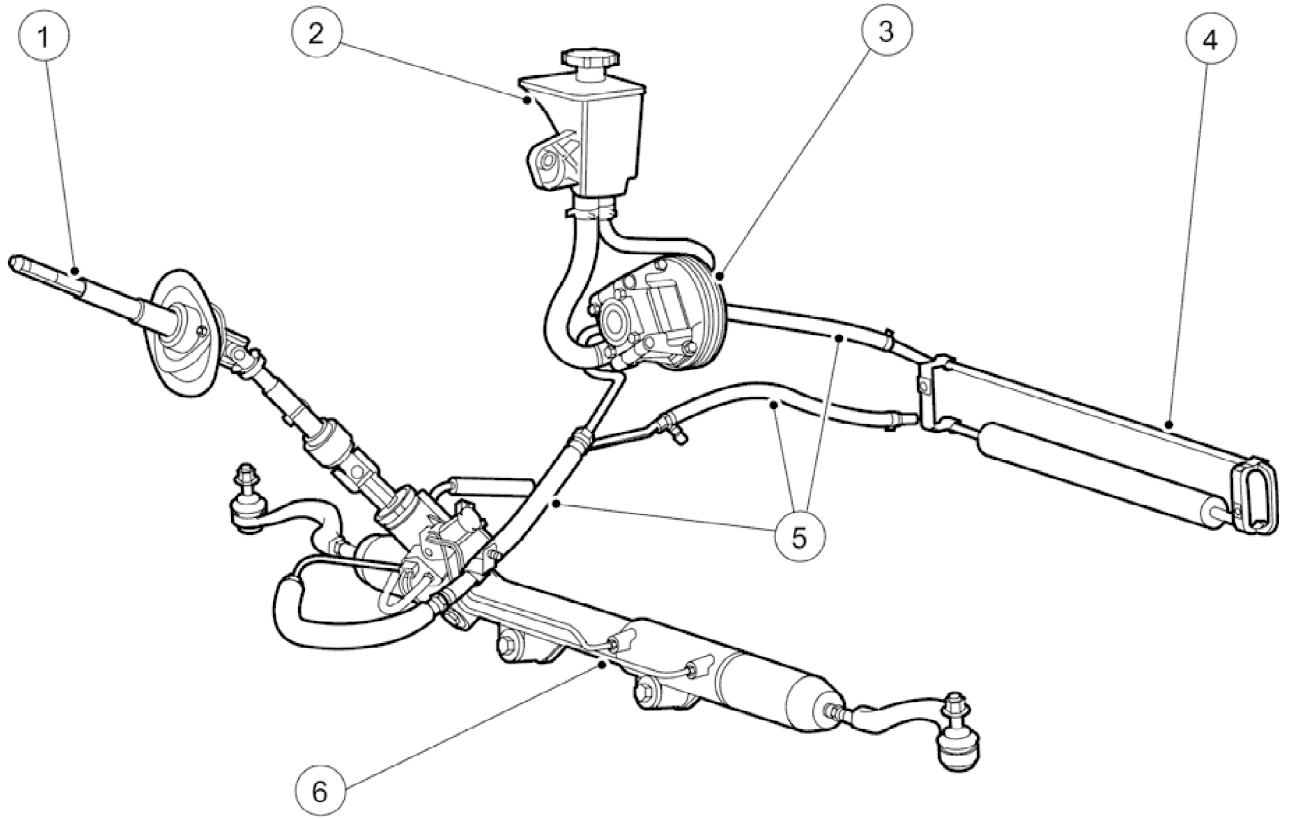


2004 S-TYPE - Power Steering - 211-02



E30165
1