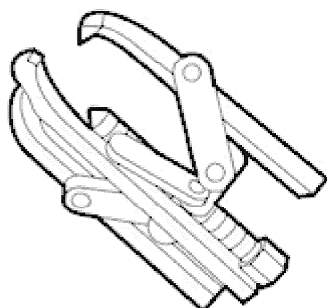


Steering Wheel 57.60.01

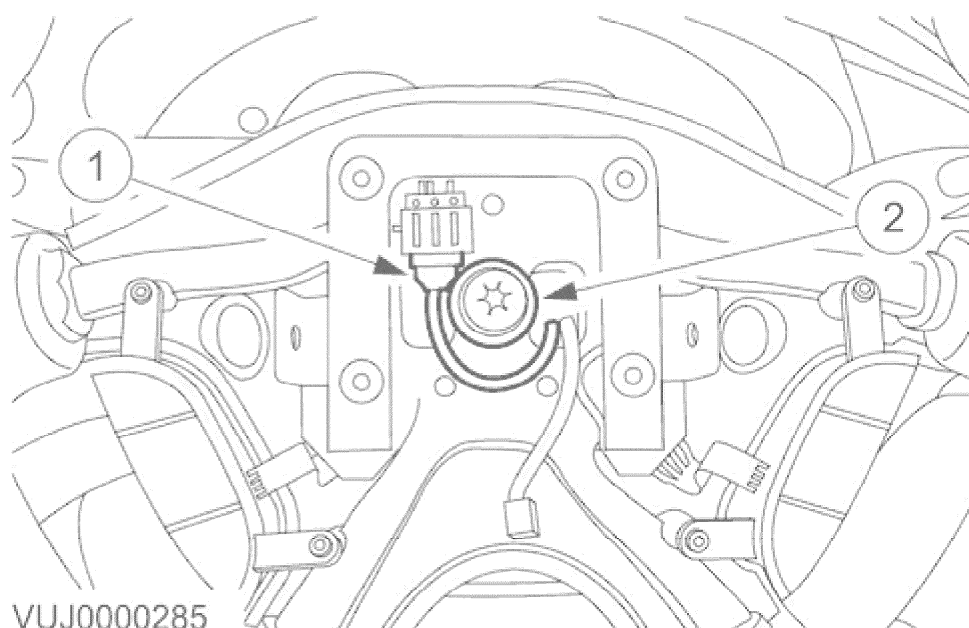
Special Service tools



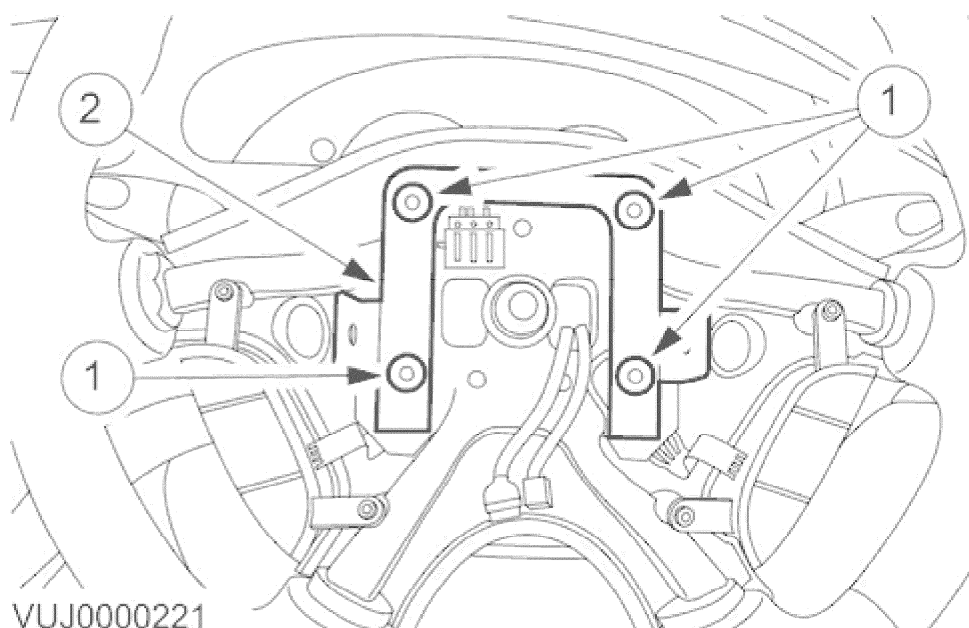
303D121
Puller
303-D121

Removal

1. Disconnect the battery ground cable.
2. Remove the airbag. For additional information, refer to <<501-20A>><<501-20B>>

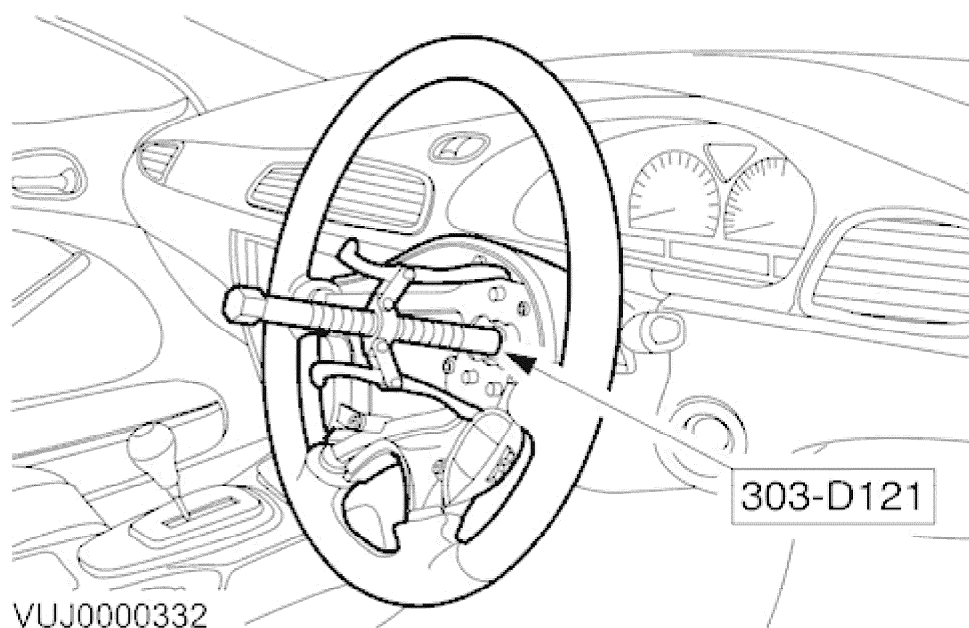


3. Remove steering wheel securing bolt.
 1. Disconnect the electrical connector.
 2. Remove the steering wheel retaining bolt.



4. Remove the horn contact switch.

1. Loosen the four horn contact bolts (do not fully remove bolts as horn mechanism will come apart).
2. Remove the horn contact switch.



5. **NOTE:**

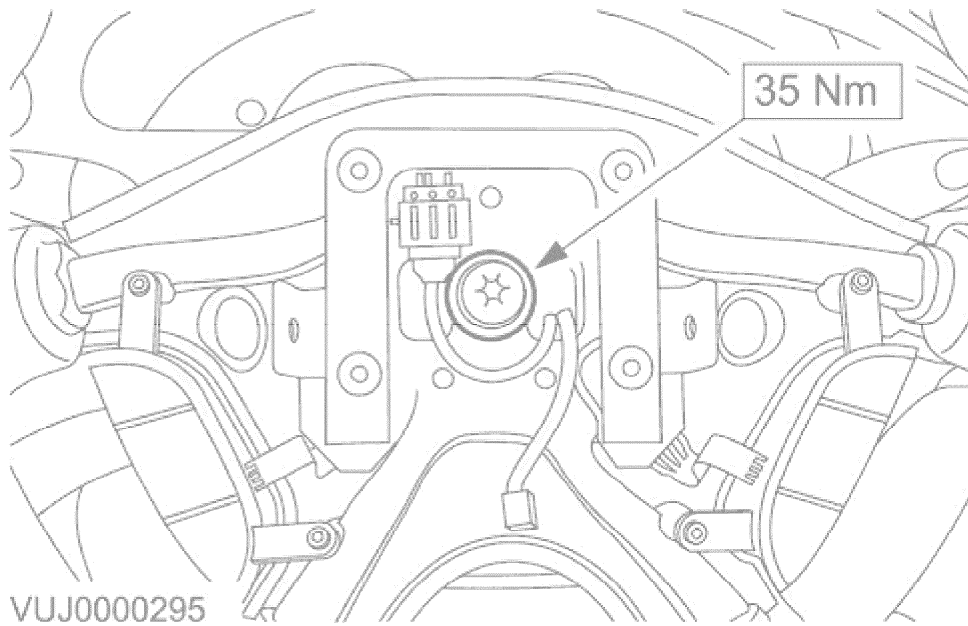
Locate the legs under the armature at 6 O'clock and 12 O'clock position.

Remove the steering wheel using the special tool.

- Loosely install the steering wheel retaining bolt to prevent damage to the steering column.

Installation

2000 S-TYPE - Steering Column - 211-04



1. To install, reverse the removal procedure.

