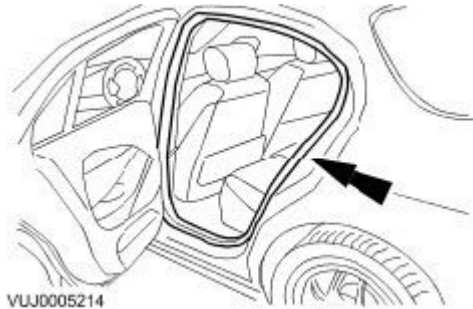


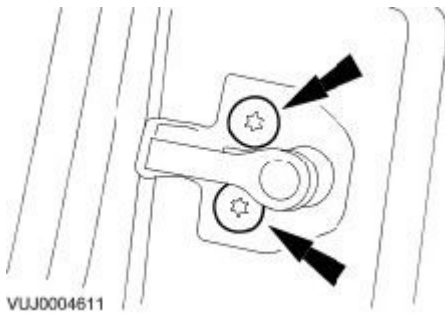
djustments

### Rear Door Alignment (76.28.08)

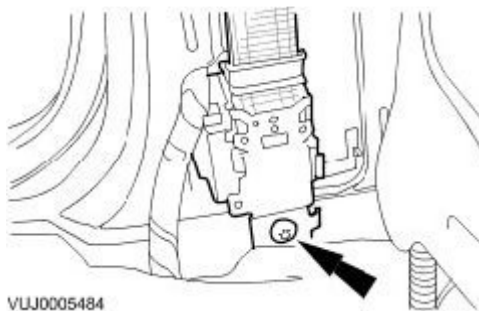
1. Remove the rear door aperture seal.



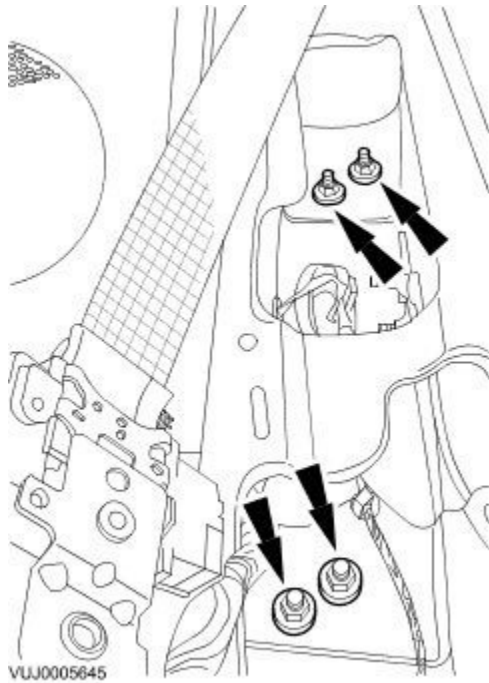
2. Remove the rear door striker.



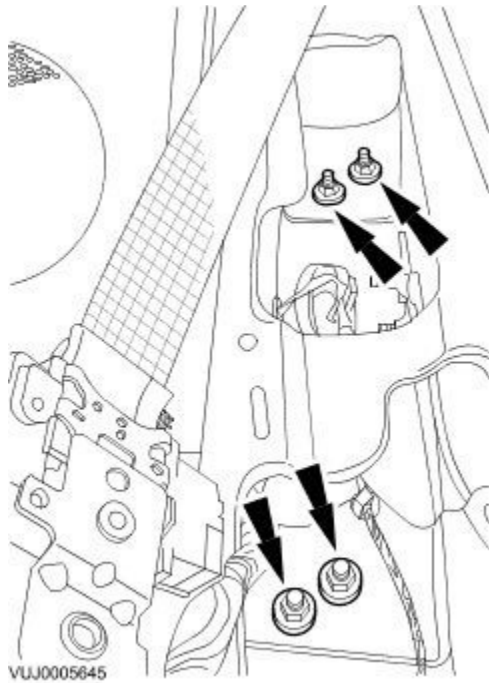
3. Remove the B-pillar lower [trim panel](#).
4. Detach the front safety belt retractor.



5. Loosen the rear door upper and lower hinge retaining nuts.

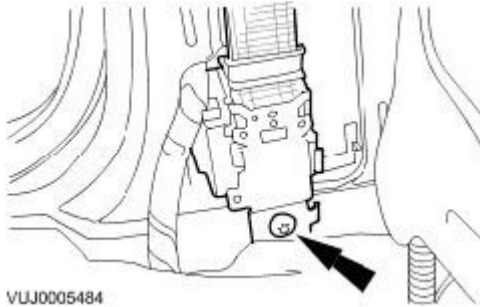


6. **NOTE:** Initial door fitting for the rear door should be set to 1 mm (0.04 in) higher than nominal at the rear, top edge of the door. Set the rear door to the correct alignment.
7. Tighten the rear door upper and lower hinge retaining nuts.
  - Tighten to 35 Nm.



8. Attach the front safety belt retractor.

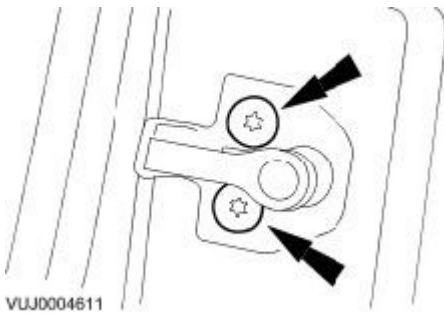
- Tighten to 40 Nm.



9. Install the B-pillar lower [trim panel](#).

10. Install the rear door striker.

- Tighten to 28 Nm.



11. Install the rear door aperture seal.

