

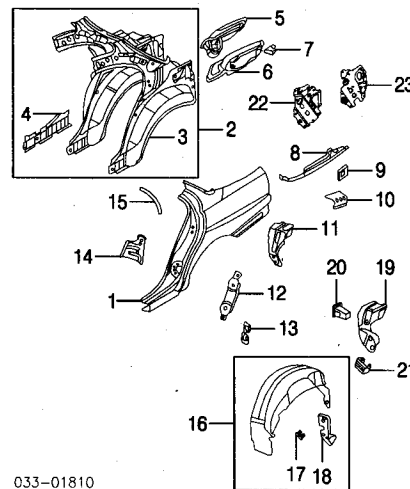
2 Seal, Glass Adhesive XR8014389 87.75
N.A. 0.00

QUARTER PANEL

Use Procedure Explanations 20 and 28 with the following text.

SHEET METAL

Refinish Quarter Outside	R/L	2.1
Add to Edge Panel	R/L	.5
Add for Pillar	R/L	.5
Refinish Fuel Door		#.4
#Included in Refinish Right Quarter Outside		
R&R Both Quarter Panels		27.6
R&R Roof & Both Quarter Panels		
w/Sunroof		44.2
w/o Sunroof		41.2
R&R Rear Body Panel & Both Quarter Panels		29.6
R&R Roof, Both Quarters & Rear Body Panel		
w/Sunroof		46.2
w/o Sunroof		43.2
Add to R&R Quarter Panel		
To R&L Back Glass4



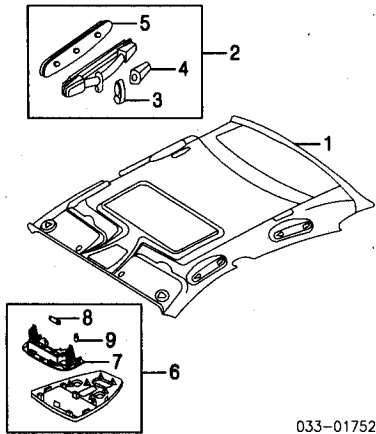
033-01810

1 Panel, Outer Quarter	00-03 R	XR8031788	#17.0	426.00
	L	XR8031789	#16.5	426.00
	04-05 R	XR8047921	#17.0	775.00
	L	XR8047922	#16.5	384.00

#Deduct 5.7 w/Roof Removed, Deduction Includes Cabon

Surfaces & Included Operations

2 Panel Assy, Inner Quarter	To VIN M45254	R/L	XR8026898-9	s	7.5	740.00
	From VIN M45255 to VIN N13088	R	XR8028428	s	7.5	705.00
		L	XR8028431	s	7.5	705.00
	From VIN N13089	R	XR8045408	s	7.5	735.00
		L	XR8032911	s	7.5	735.00
3 Panel, Inner Quarter	To VIN M45254	R/L	XR8025610-1	s	6.0	147.25
	From VIN M45255 to VIN N13088	R	XR8028692	s	6.0	705.00
		L	XR8041276	s	6.0	680.00
	From VIN N13089	R	XR8051425	s	6.0	152.10
		L	XR8051426	s	6.0	151.85
4 Reinforcement, Inner Panel	To VIN M45254	R/L	XR8005993-4		1.0	24.95
	From VIN M45255	R/L	XR8024876-7		1.0	33.30
#Included w/Inner Quarter Panel Assy						
5 Door, Fuel	00-03 R	XR8025609	.4	30.30		
	04-05 R	XR8045523	.4	63.35		
6 Reinf, Fuel Door	00-03 R	JLM021082		35.35		
	04-05 R	XR8044215		30.45		
7 Striker, Fuel Door	R	XR8018050	.2	3.30		
8 Channel, Drain	00-03 R/L	XR8006204-5		29.00		
	04-05 R	XR8054426		60.75		
	L	XR8051429		60.75		
9 Reinf, Mounting	R/L	XR8006185		17.10		
10 Bracket, Mounting	R	XR8037881-2		17.65		
11 Bracket, Retaining	00-03 R/L	XR8027816		13.15		
	04-05 R/L	XR8043145		26.00		
12 Reinf, Rear Panel	R/L	XR8012878		74.75		
13 Plate, Rear Door	R/L	XR8006155		4.10		
14 Reinf, Striker	R/L	XR8006002-3	.5	9.80		
15 Reinf, Upper Panel	R	XR8015027		7.50		
	L	XR8015028		4.15		
16 Liner Assy, Wheelhouse	To VIN M45254	R/L	XR8018376-7		.3	101.80
	From VIN M45255 to VIN N13088	R/L	XR8042127-8		.3	131.80
	From VIN N13089	R/L	XR8037524-5		.3	51.75
17 Bracket, Liner (a)	R	XR8002200		11.80		
	L	XR8002201		12.50		
18 Retainer, Liner (a) (2/Side)	R/L	XR8002059		1.75		
(a) Included w/Wheelhouse Liner Assy						
19 Bracket, Quarter	L	XR8043145		26.00		
20 Nut, Bracket	To VIN M59999	L	XR8035236		1.20	
	From VIN M56000	L	XR8037555		1.00	
21 Nut, Cage (2/Side)	R/L	XR8007607		.40		
22 Bracket, Rear Side						



033-01752

Almond	XR8032376AGM	5.5	2000.00
Champagne	XR8047968SEL	5.5	600.00
Gray	XR8030018LFJ	5.5	600.00
Oatmeal	XR8047968AGD	5.5	600.00

#Order by Application

2 Handle Assy, Assist			
Front			
Almond	R/L XR8018539AGM	.2	43.75
Champagne	R/L XR8034990SEL	.2	43.75
Gray			
To VIN L52822	R/L XR8007043LFJ	.2	43.85
From VIN L2823 to VIN M45254	R/L XR8018539LFJ	.2	43.75
From VIN M45255	R/L XR8034990LFJ	.2	43.75
Oatmeal	R/L XR8034990AGD	.2	43.75
Rear			
Almond			
To VIN L52822	R/L XR8007044AGM	.2	43.85
From VIN L52823	R/L XR8018540AGM	.2	43.75
Champagne	R/L XR8034991SEL	.2	43.75
Gray	R/L XR8018540LFJ	.2	43.75
Oatmeal	R/L XR8034991AGD	.2	43.75

3 Hook, Coat (a)			
Almond	R/L XR8011680AGM	7.90	
Champagne	R/L XR8034983SEL	7.40	
Gray			
To VIN M45254	R/L XR8011680LFJ	7.90	
From VIN M45255	R/L XR8034983LFJ	7.40	
Oatmeal	R/L XR8034983AGD	7.40	

4 Cover, Handle (a)			
Almond	R/L XR8011681AGM	5.65	
Gray	R/L XR8011681LFJ	5.95	

5 Bezel, Handle (a)			
Champagne	R	XR8034986SEL	5.50
	L	XR8034985SEL	5.50
	R	XR8034986LFJ	5.50
	L	XR8034985LFJ	5.45
Oatmeal	R	XR8034986AGD	5.50
	L	XR8034985AGD	5.50

(a) Included w/Assist Handle Assy

6 Housing Assy, Console			
w/Sunroof			
Almond	XR8026443AGM	.3	38.50
Gray	XR8026443LFJ	.3	49.55
w/o Sunroof			
Almond	XR8007048AGM	.3	49.40
Gray	XR8007048LFJ	.3	49.40
7 Housing, Bulb (b)			
	C2S002298	.3	10.40
8 Bulb, Map Lamp (b) (2)			
	C2S015950		1.80
9 Bulb, Courtesy Lamp (b)			
	C2S010346		1.95

(b) Included w/Console Housing Assy

Switch, Sunroof	XR8008743		27.05
Switch, Map Lamp (2)	XR8013125		23.05
Switch, Combination			
w/Distance Sensor	XR8002131		65.05
w/o Distance Sensor			
w/Sun Blind	XR8002132		68.50
w/o Sun Blind	XR8002129		56.85

#Order by Application

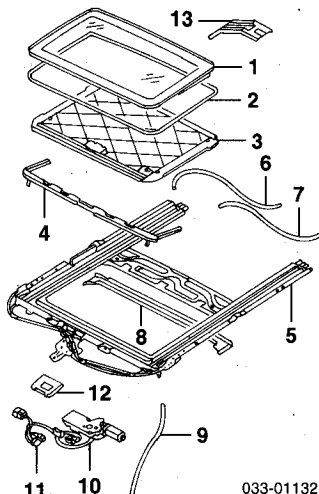
SUNROOF

O/H Sunroof Assy	#4.5
#w/Headliner Removed	

NOTE: All Parts in this section are included in overhaul unless noted otherwise.

Illustration Located in Next Column

1 Glass, Sunroof	XR8041582	#1.2	245.75
2 Seal, Glass	XR8013177	#1.2	47.00
#R&R Complete			
3 Panel, Sunroof Trim			
Almond	XR8013179AGM		176.45
Champagne	XR8041571SEL		190.05
Gray			
To VIN M45254	XR8013179LFJ		176.45



033-01132

From VIN M45255 to VIN M93933	XR8036233LFJ	191.05
From VIN M93934	XR8041571LFJ	183.45

To VIN M93933	XR8041571AGD	183.45
From VIN M93934	XR8041571AGD	183.45

4 Deflector, Sunroof	XR8013534	.7	57.65
----------------------	-----------	----	-------

5 Mechanism, Sunroof			
To VIN M45254	XR8027567	#4.5	375.00
From VIN M45255	XR8039122	#4.5	0.00

#w/Headliner Removed

Shield, Cover			
To VIN N13088	R/L	XR8009175-6	12.80
From VIN N13089	R/L	XR8050344-5	40.15

6 Tube, Right Rear Drain	XR8041720		16.40
7 Tube, Left Rear Drain	XR8041721		16.40

#Order by Application

8 Reinf, Sunroof	XR8013178		67.20
------------------	-----------	--	-------

9 Tube, Front Drain			
To VIN L52822	XR8002205		11.70
From VIN L52823	XR8018545		12.25

#Order by Application

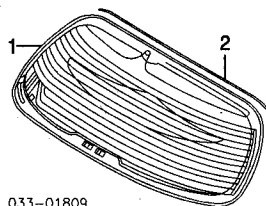
10 Motor, Sunroof			
To VIN M45254	XR8009170	.9	237.80
From VIN M45255	XR8039121	.9	207.00

11 Harness, Sunroof	XR8009171		114.90
12 Module, Motor	XR8009177		131.00
13 Support, Sunroof	R/L XR8002198		2.35

BACK WINDOW

Use Procedure Explanation 19 with the following text.

R&L Back Window Glass	#3.9
#Includes Clean Up Old Adhesive as Necessary	



033-01809

1 Glass, Back Window			
Jaguar (Tint)			
2000-02			
To VIN L77674	XR8002222	#3.5	423.00
From VIN L77675	XR8025751	#3.5	441.00
2003-05			
w/TV			
w/Diversity Antenna	XR8027544	#3.5	400.00
w/o Diversity Antenna	XR8044666	#3.5	353.00
w/o TV			
w/Diversity Antenna	XR8044665	#3.5	353.00
w/o Diversity Antenna	XR8044664	#3.5	353.00
NAGS (Tint)			
2000-02			
w/Navigation System	FB21428GTY	#3.5	0.00
w/Attachment	FB21428GTN	#3.5	676.70
w/o Navigation System			
w/Attachment	FB20797GTY	#3.5	742.05
w/o Attachment	FB20797GTN	#3.5	742.05
2003-05			
w/TV			
w/Diversity Antenna	FB22013GTN	#3.5	770.25
w/o Diversity Antenna	FB22012GTN	#3.5	770.25
w/o TV			
w/Diversity Antenna	FB22011GTN	#3.5	770.25
w/o Diversity Antenna	FB22010GTN	#3.5	668.90

#Order by Application #Includes Clean Up Old Adhesive as Necessary