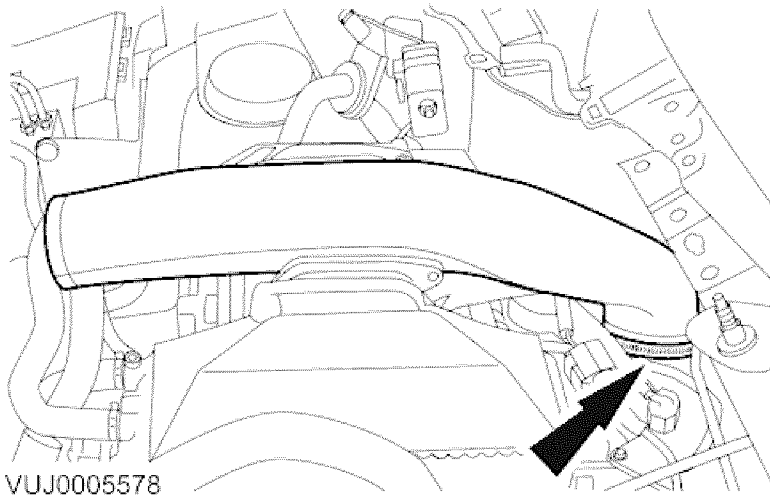
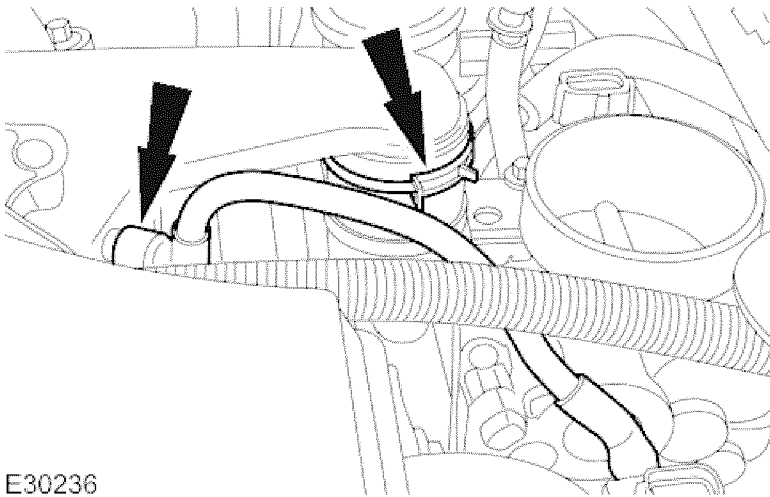


Supercharger Outlet Pipe 18.50.16

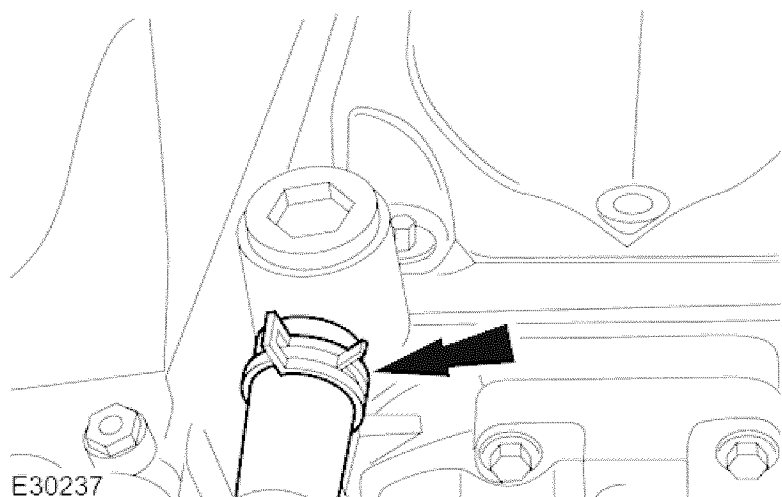
1. Disconnect the battery ground cable. <<414-01>>
2. Remove the cowl vent screen. <<501-02>>
3. Remove the air cleaner outlet pipe. <<Air Cleaner Outlet Pipe>>



4. Remove the throttle body intake pipe.



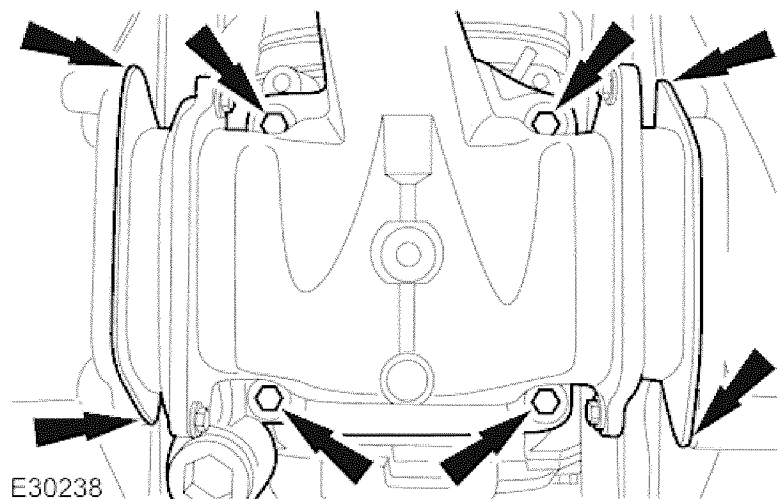
5. Detach the hoses.
 - Reposition the hose retaining clip.



6.  **WARNING:**
MAKE SURE THE COOLING SYSTEM IS NOT PRESSURIZED.

Detach the supercharger outlet pipe coolant hose.

- Cap the coolant ports.

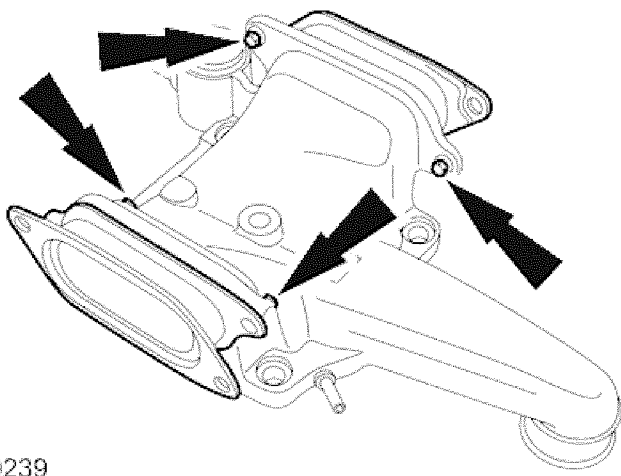


7.  **CAUTION:**
Make sure no foreign matter enters the supercharger.

Remove the supercharger outlet pipe

8. Remove and discard the supercharger outlet pipe gasket.

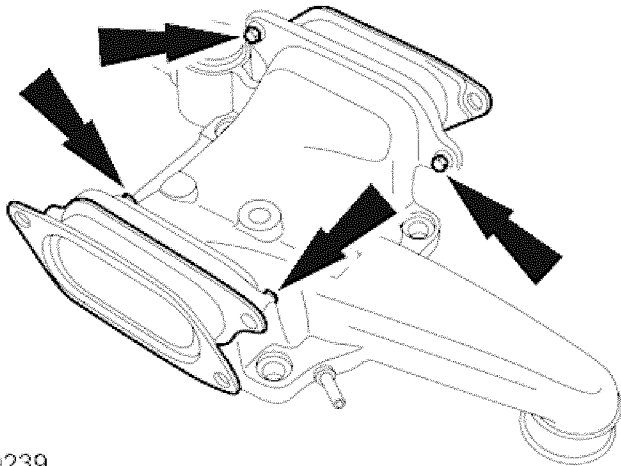
9. Remove and discard the supercharger outlet pipe retaining bolt seals.



E30239

10. Remove and discard both supercharger outlet pipe to charge air cooler ducts.

Installation



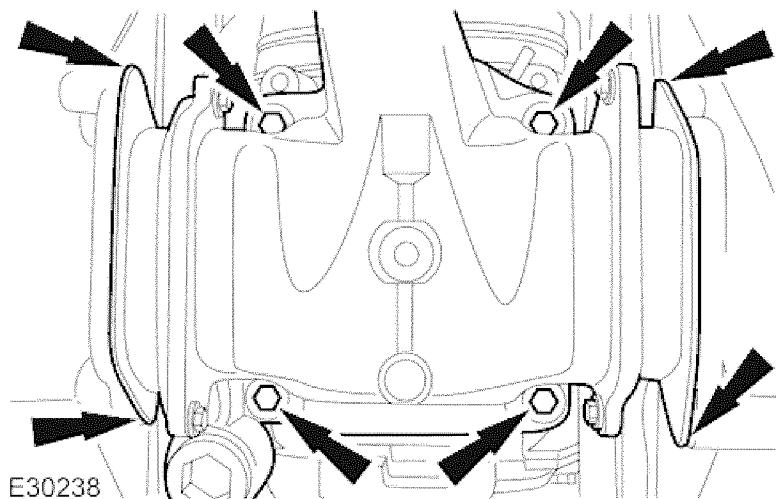
E30239

1. Install new supercharger outlet pipe to charge air cooler ducts.
 - Tighten to 8 Nm.

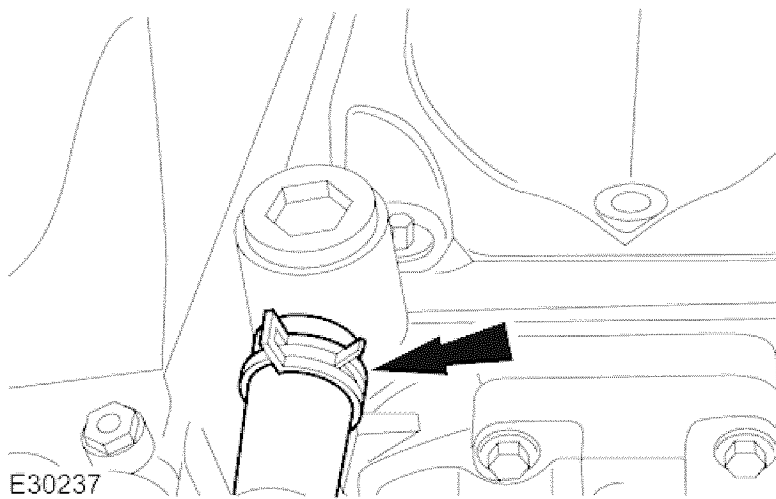
2. Install a new supercharger outlet pipe gasket.

3. Install new seals to the supercharger outlet pipe retaining bolts

2004 S-TYPE - Intake Air Distribution and Filtering - 4.2L - 303-12B



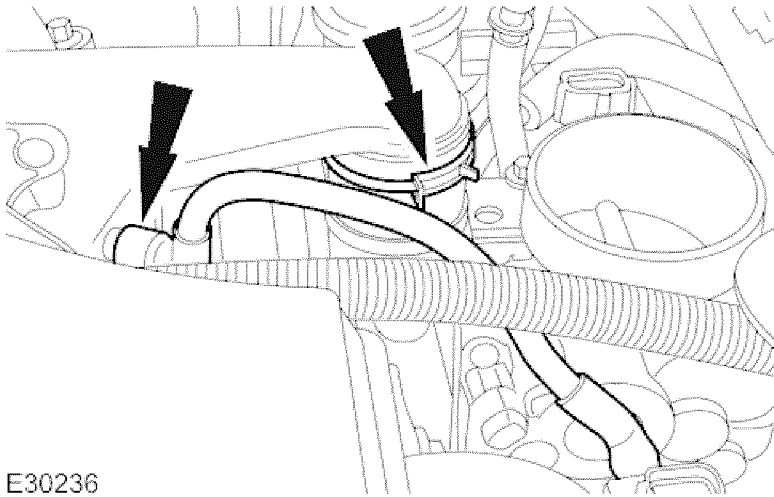
4. Install the supercharger outlet pipe
• Tighten to 9 Nm.



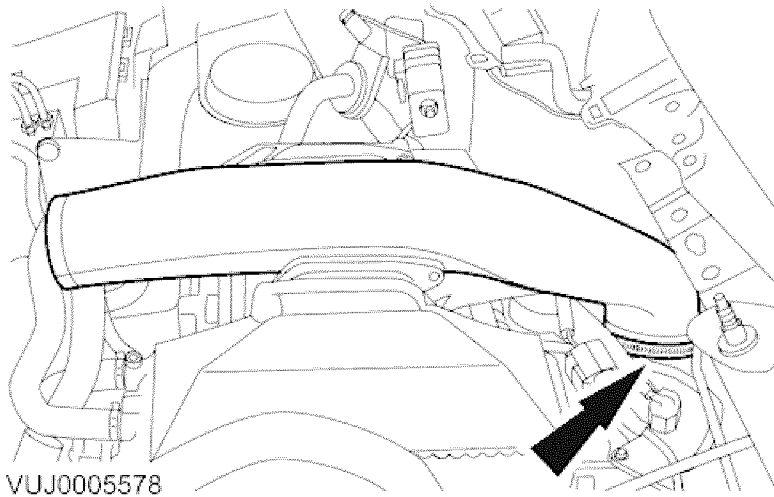
5. **NOTE:**
Un-cap the coolant ports.

Attach the supercharger outlet pipe coolant hose.

2004 S-TYPE - Intake Air Distribution and Filtering - 4.2L - 303-12B



6. Attach the hoses.
 - Reposition the hose retaining clip.



7. Install the throttle body intake pipe.
 - Tighten to 5 Nm.
8. Install the air cleaner outlet pipe. <<Air Cleaner Outlet Pipe>>
9. Install the cowl vent screen. <<501-02>>
10. Connect the battery ground cable. <<414-01>>
11. Check and top up the coolant expansion tank.