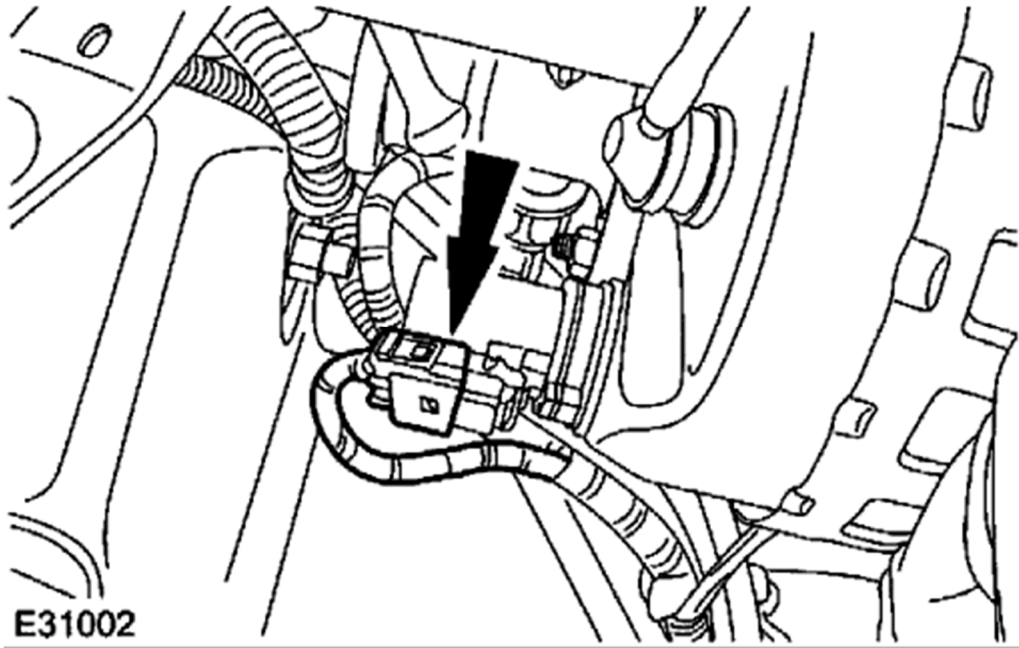


Upper Arm LH

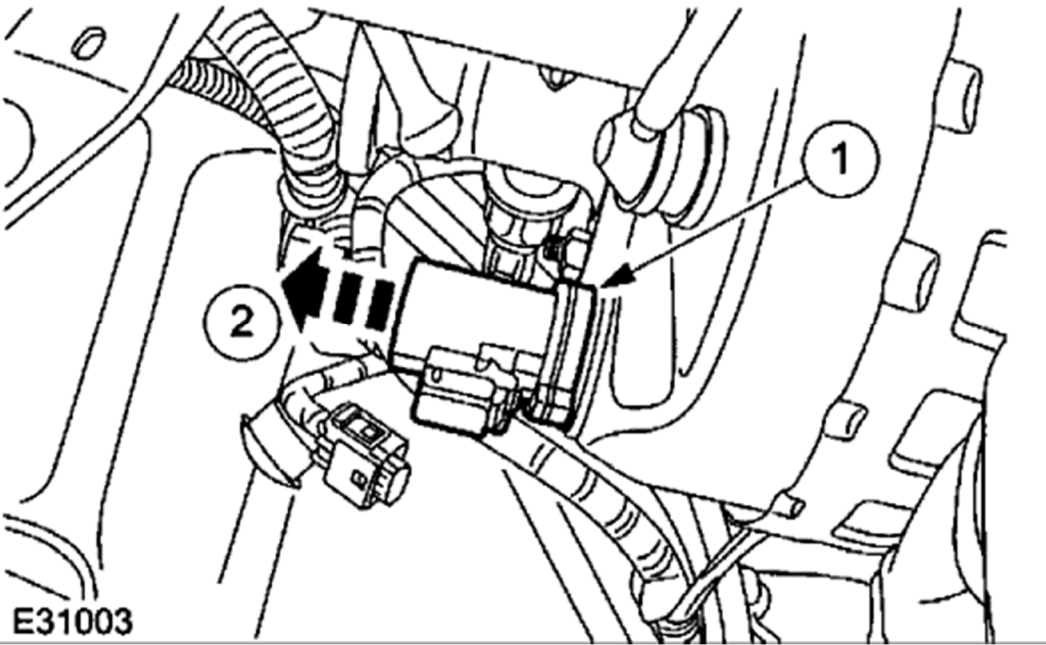
Upper Arm LH

Removal

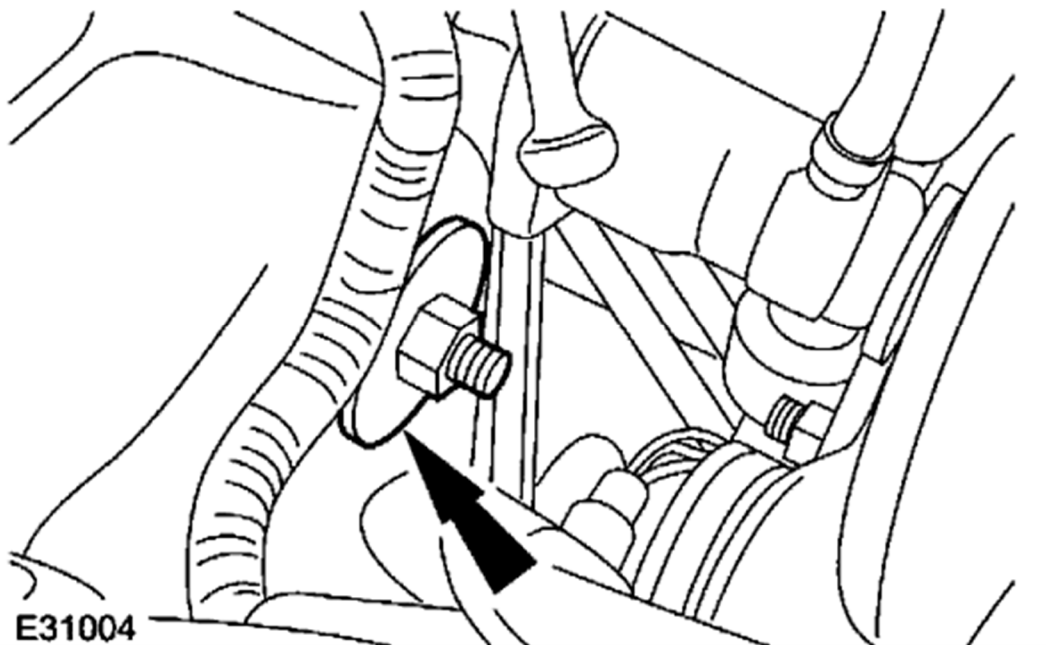
1. Remove the shock absorber and spring assembly.
2. Remove the cowl vent screen.



3. Disconnect the electrical connector.

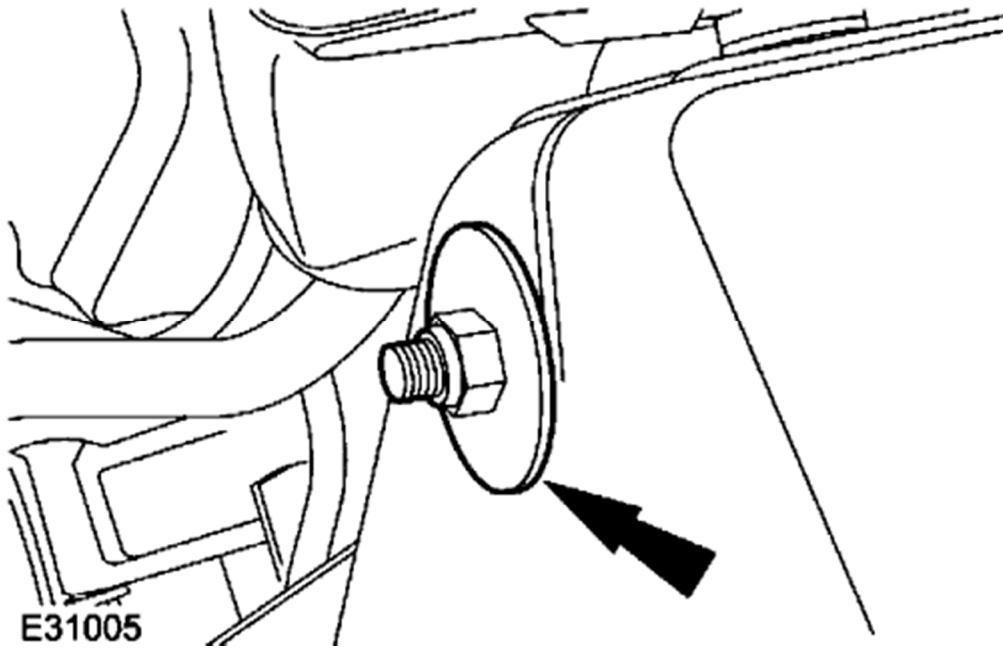


4. Remove the brake pedal travel sensor.
1. Remove the brake pedal travel sensor retaining clip.
2. Remove the brake pedal travel sensor.

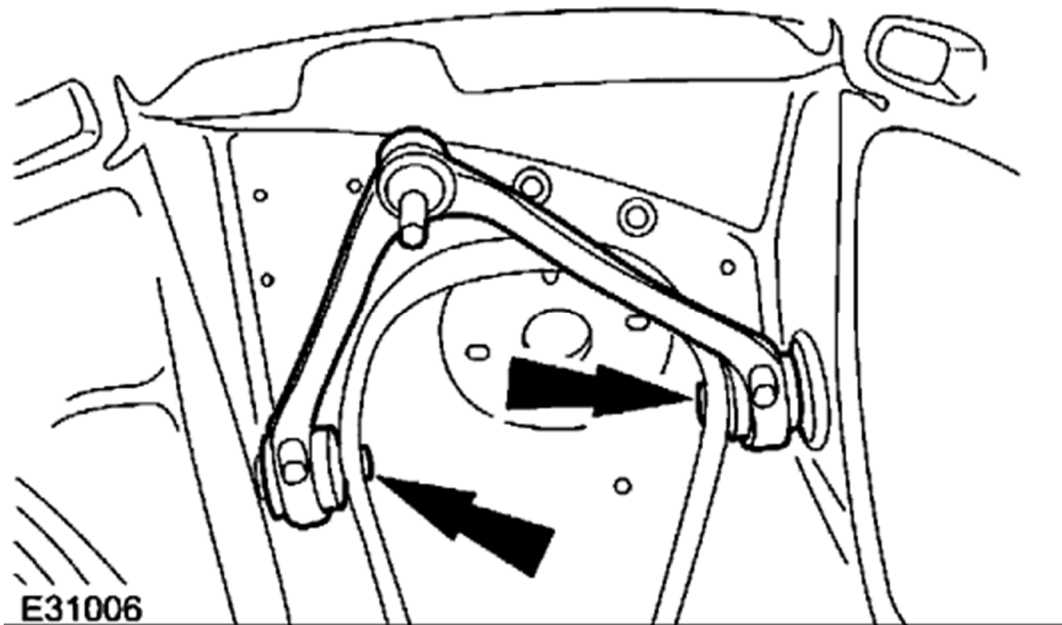


5. Remove the upper arm retaining nut.

6. Remove the air cleaner assembly.

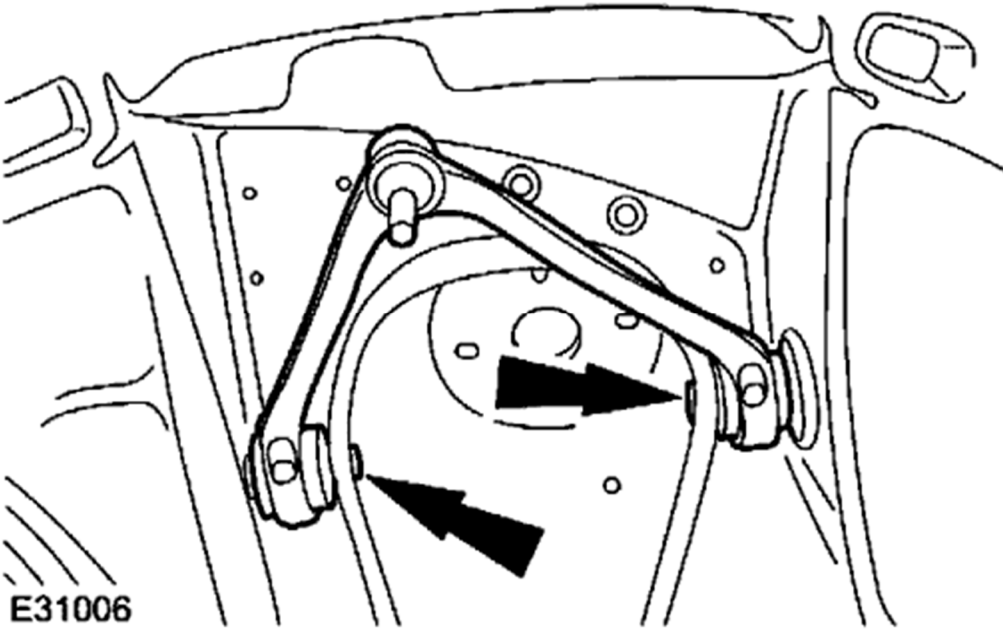


7. Remove the upper arm retaining nut.

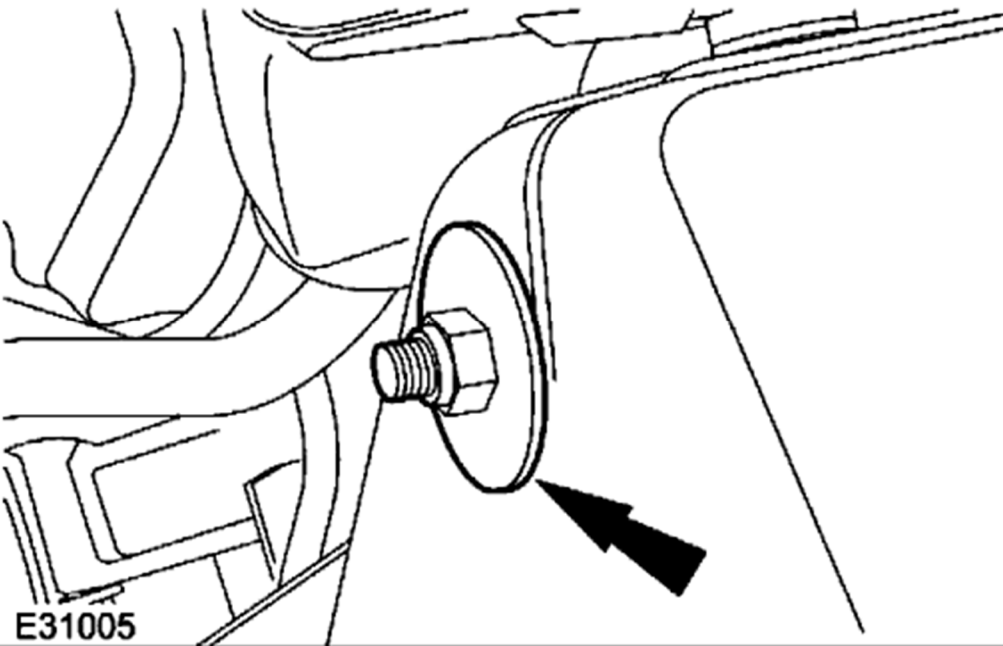


8. Remove the upper arm.

Installation

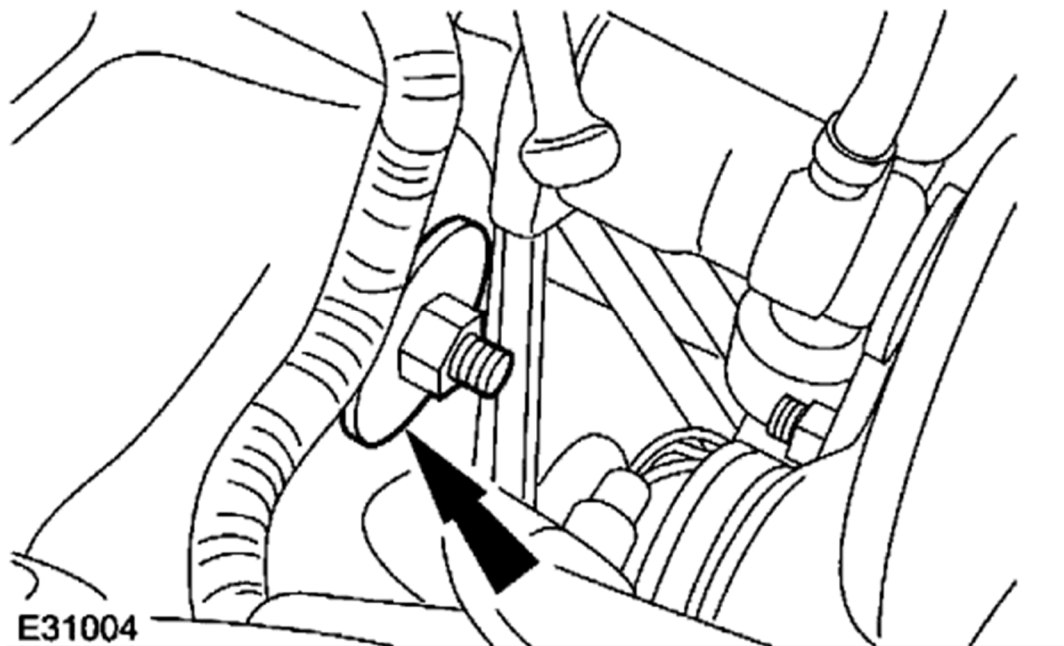


1. Install the upper arm.

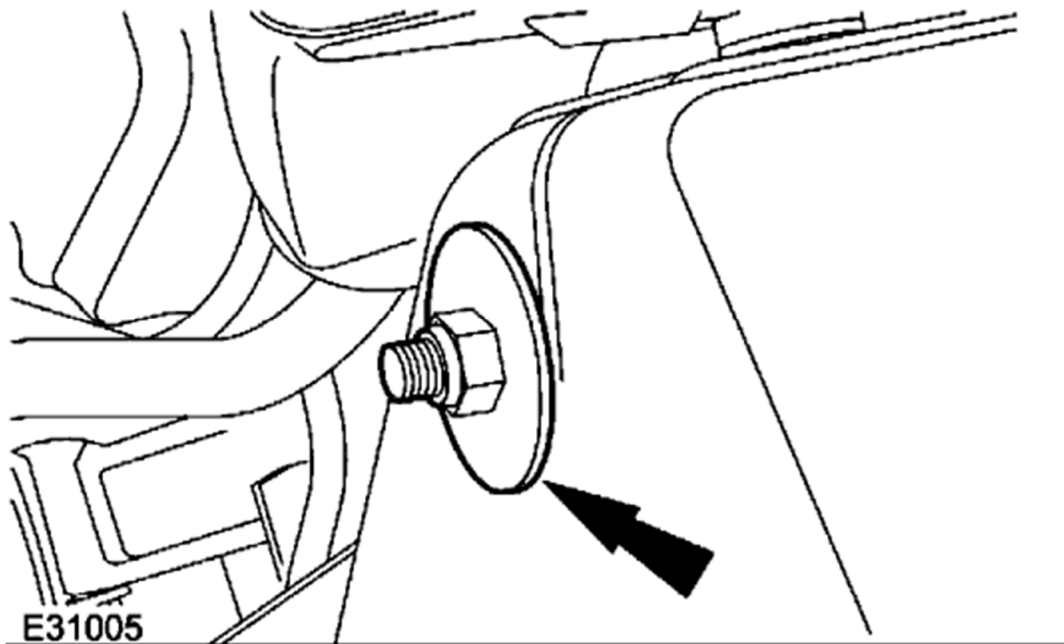


2. Install the upper arm retaining nut.

- Tighten to **47 Nm** .

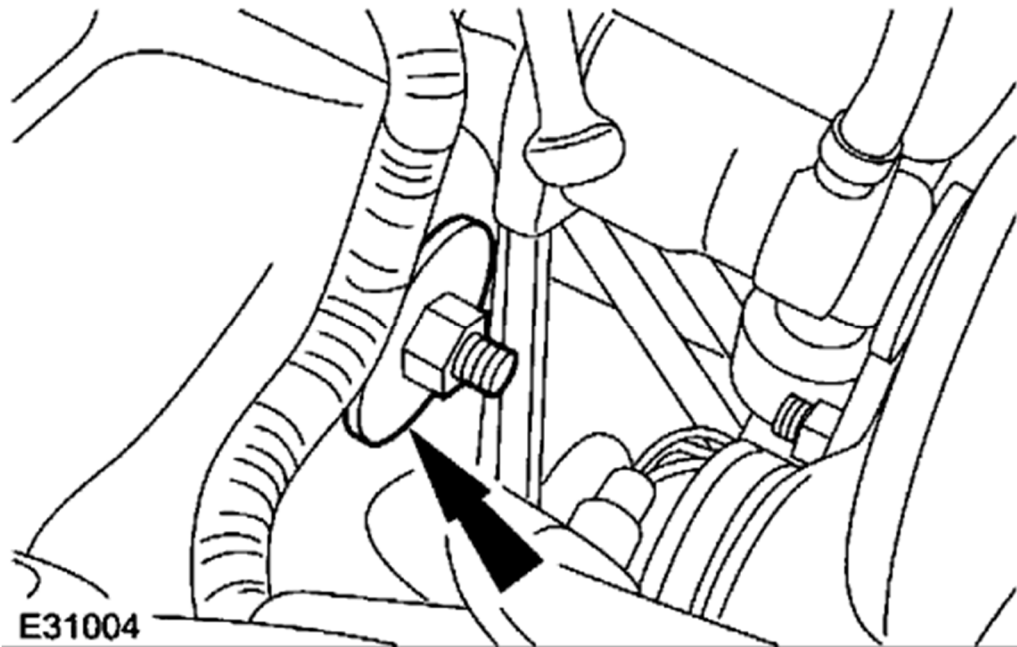


3. Install the upper arm retaining nut.
4. Install the shock absorber and spring assembly.



5. **CAUTION:** The final tightening of the Upper arm retaining nut must be carried out with the vehicle on its [wheels](#).

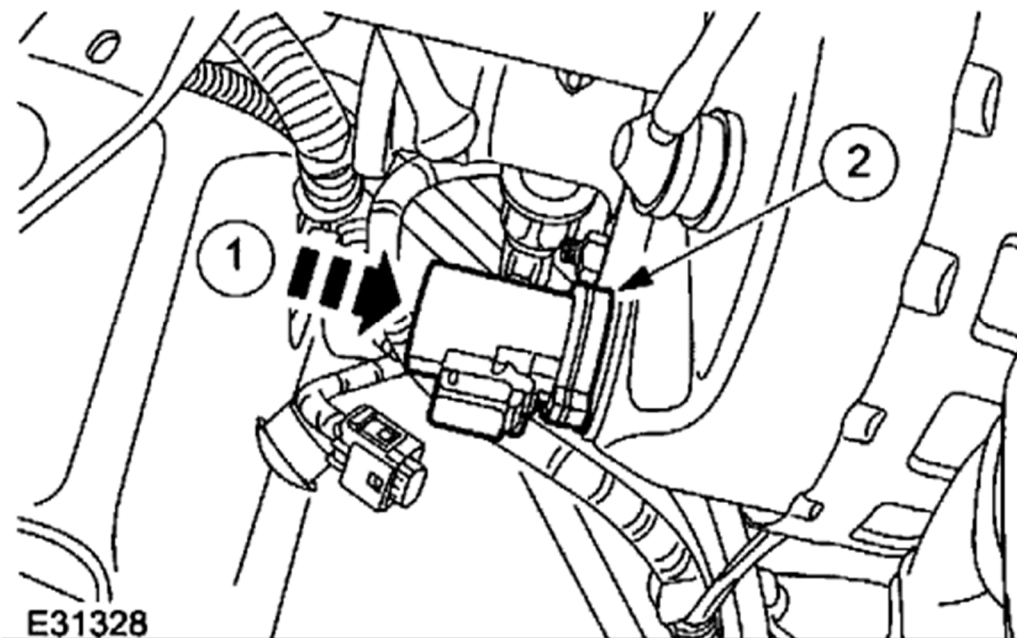
Tighten to **47 Nm** .



6. **CAUTION:** The final tightening of the Upper arm retaining nut must be carried out with the vehicle on its [wheels](#).

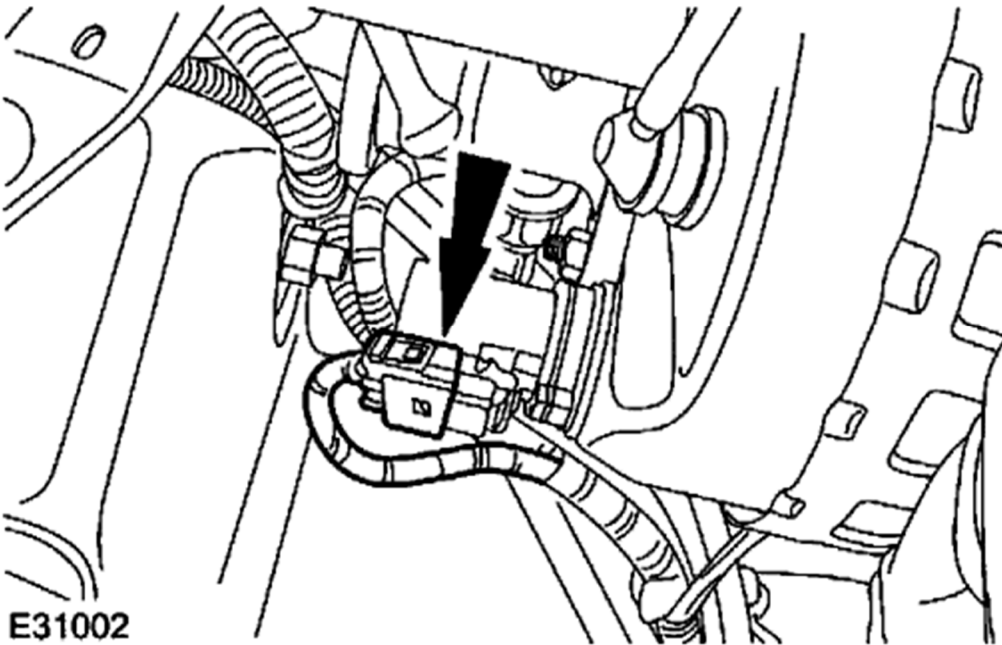
Tighten to **47 Nm** .

7. Install the air cleaner assembly.



8. Install the brake pedal travel sensor.

1. Install the brake pedal travel sensor retaining clip.
2. Install the brake pedal travel sensor retaining clip.



9. Connect the electrical connector.
10. Install the cowl vent screen.