

Catalogue: LINCOLN LS CLQ 2000-2006

Print Date:

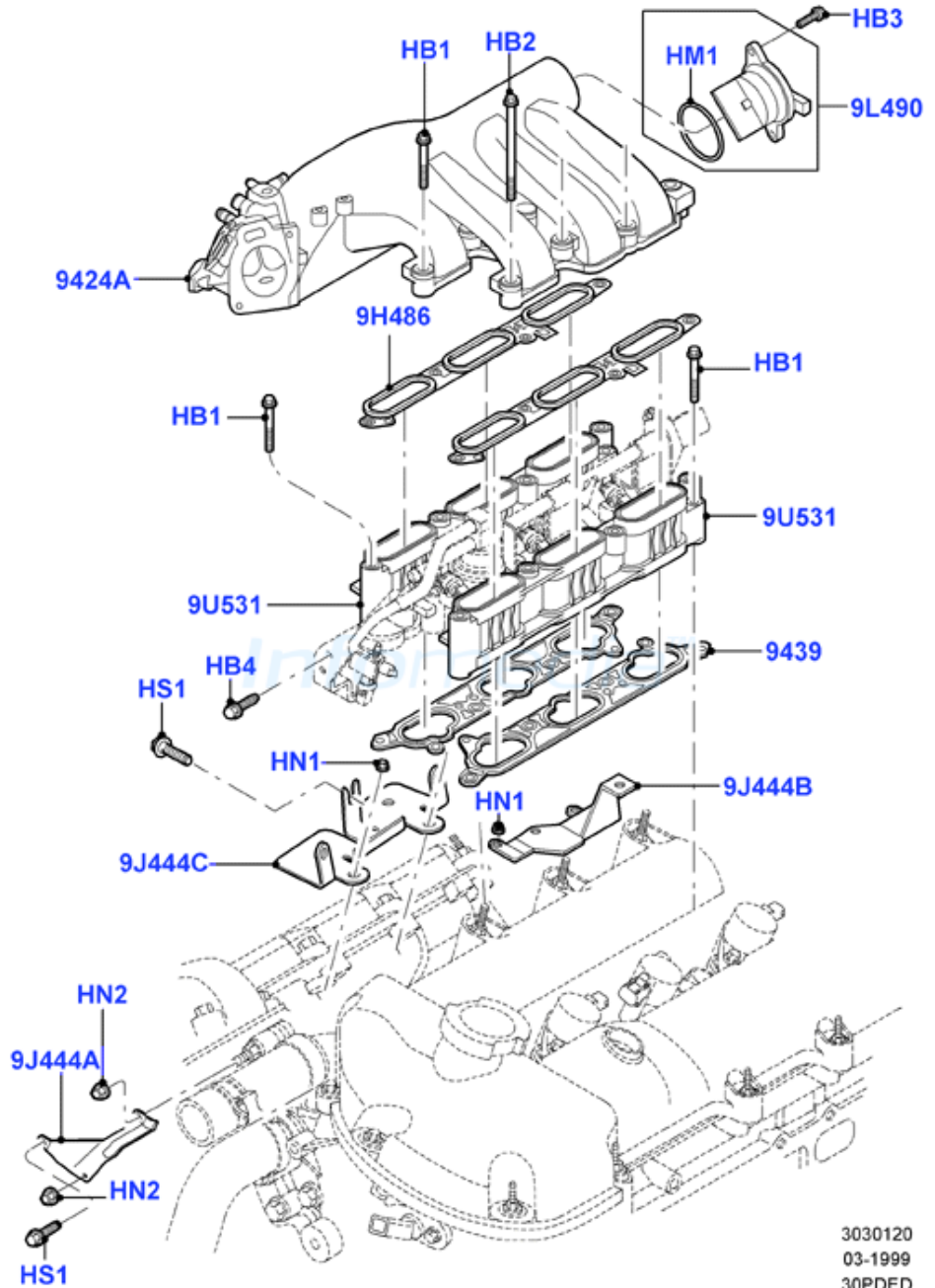
12/12/2013

Section: 303-01/20A INLET MANIFOLD, 3.0 V6 DOHC 24v Duratec (3.0 V6 24V DOHC EFI Modular)  
(From 03/22/1999 To ...)

VIN:

Customer Tag:

Build date:



© Copyright, 1999 - 2005, Ford Motor Company Limited

3030120  
03-1999  
30PDED  
A0009176-04