



Fitting Instructions

S-Type

Bluetooth telephone system

Information

Global Jaguar accessory instructions can be found at the URL below.

www.jaguartechno.com/extfree2viewjagprod/index.jsp

Notes

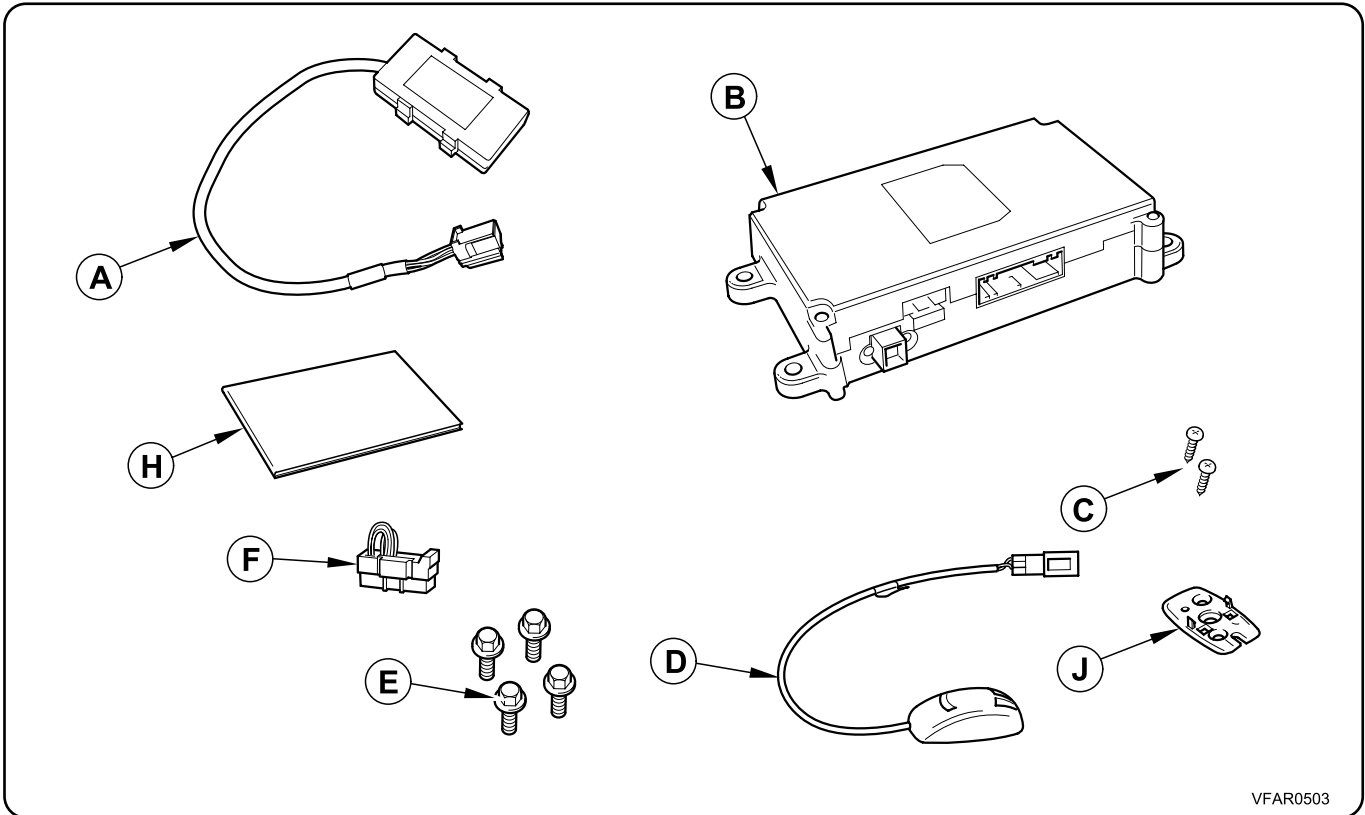
This instruction is for North American Vehicles, 2003, VIN M89854 onwards.



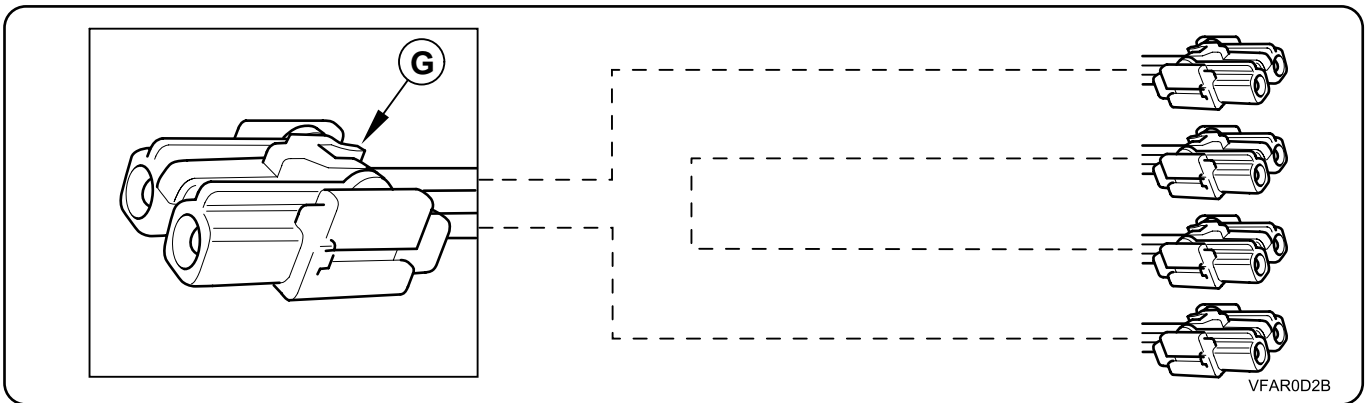
FITTING INSTRUCTIONS, INSTRUCTIONS DE MONTAGE,
 EINBAUANLEITUNG, ISTRUZIONI DI MONTAGGIO,
 INSTRUCCIONES DE MOTAJE, 取扱説明書

S-Type

Bluetooth telephone system



VFAR0503



VFAR0D2B

Parts Required
(Ordered separately)

Parts required will vary dependant on the specification of the vehicle.

- A. Bluetooth Module
- B. Telephone Module
- C. Screw
- D. Microphone

- E. Screws
- F. Electrical shorting loop
- G. D2B Lead
- H. Handbook
- J. Microphone base plate

MY 2003 ➔

www.jaguartechinfo.com/extfree2viewjagprod/index.jsp



S-Type

Bluetooth telephone system

Notes:

For vehicles already fitted with a telephone system, it will be necessary to check the level of the telephone module prior to fitting a new Bluetooth telephone system.

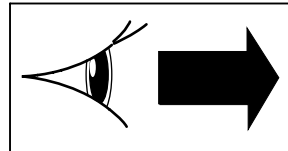
Connect the vehicle to :-

WDS - Configure telephone module, and read the level of module.

If the telephone module is earlier than AC level, replace the telephone module. For instructions on replacing the telephone module follow instructions 31-45.

Notes

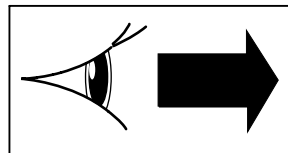
Telephone fitted.



1.

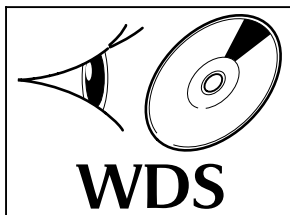
Notes

No telephone fitted.



2.

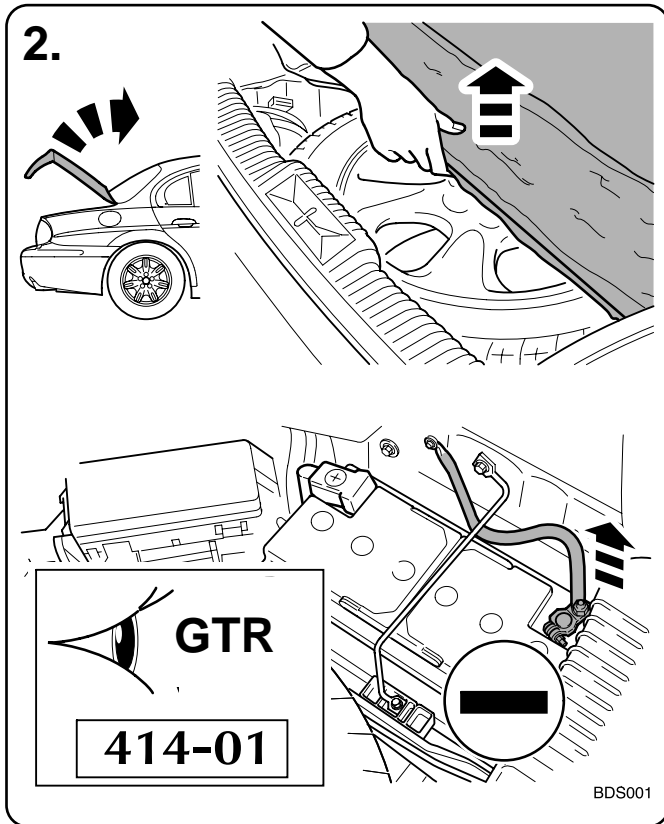
1.





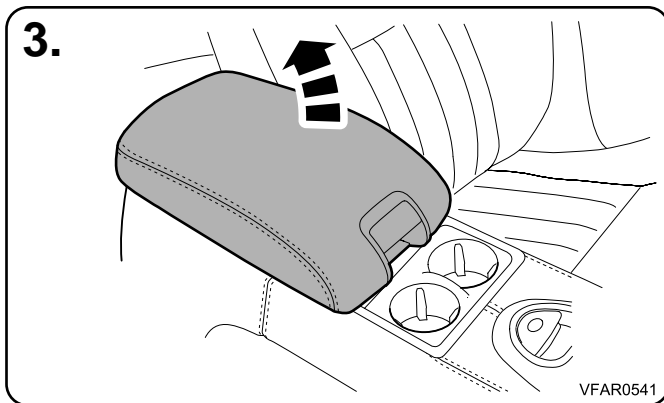
S-Type

Bluetooth telephone system



Notes:

- Refer to GTR / Drivers Handbook to ensure correct operations are carried out, relevant to battery disconnect and reconnect.

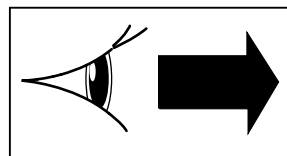


Notes

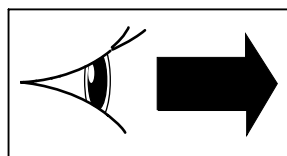
Telephone fitted.

Notes

No telephone fitted.



4.

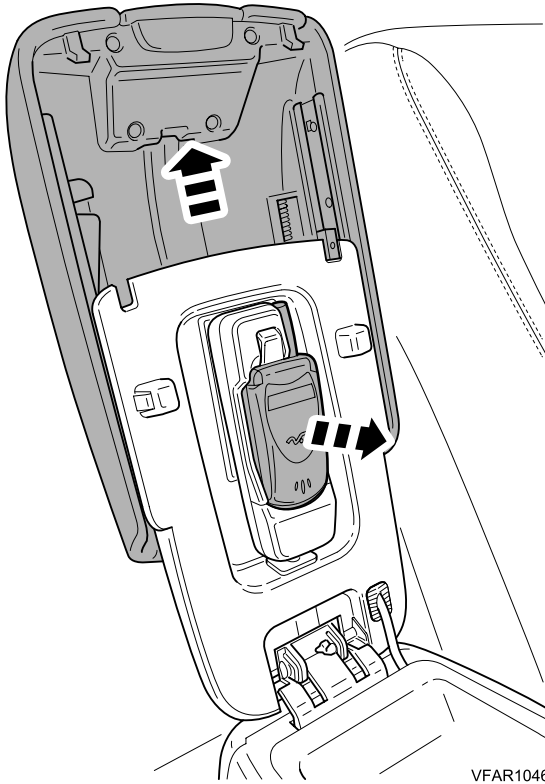


11.

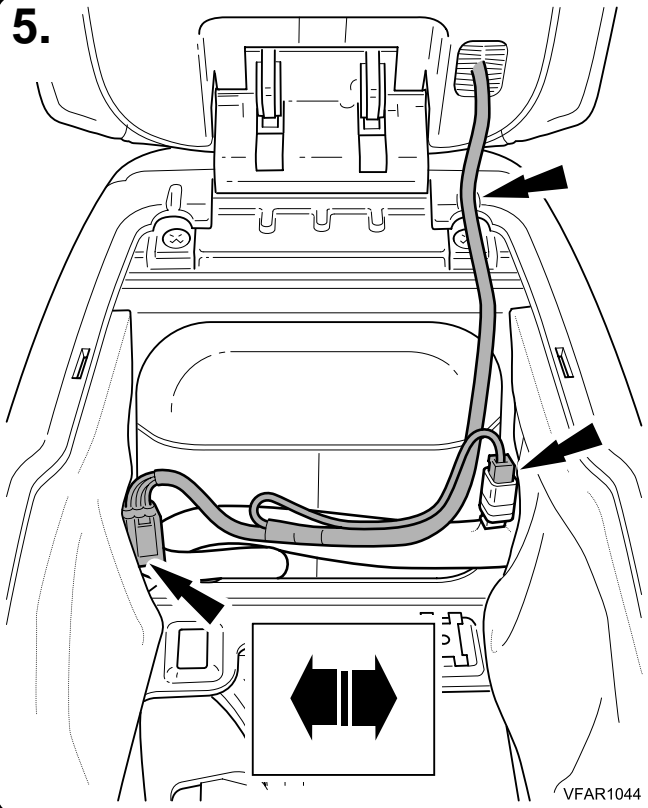
S-Type

Bluetooth telephone system

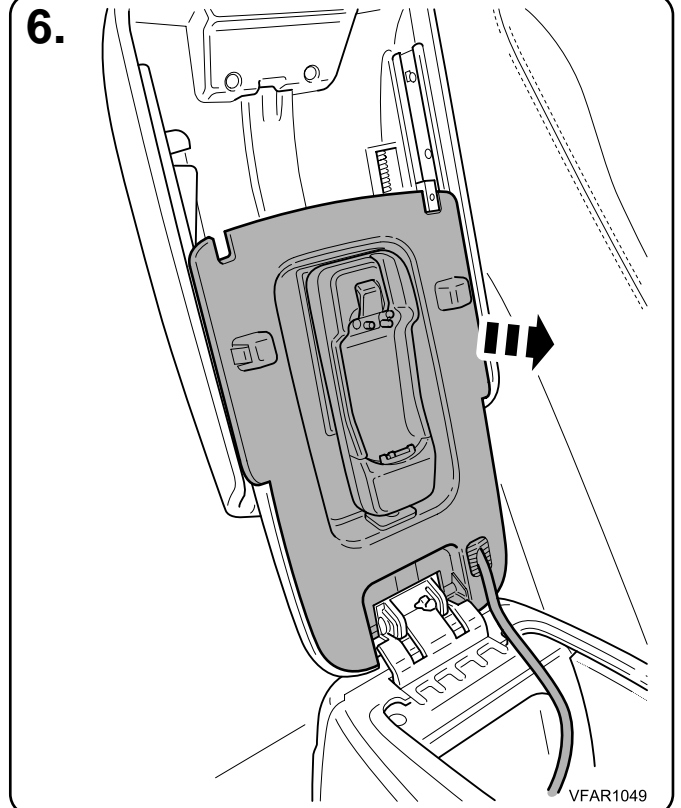
4.



5.



6.

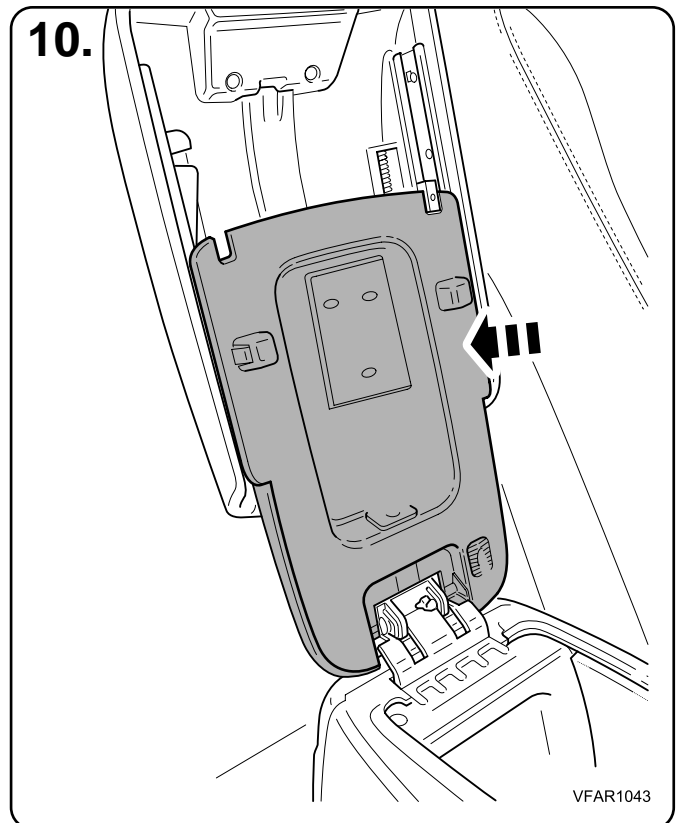
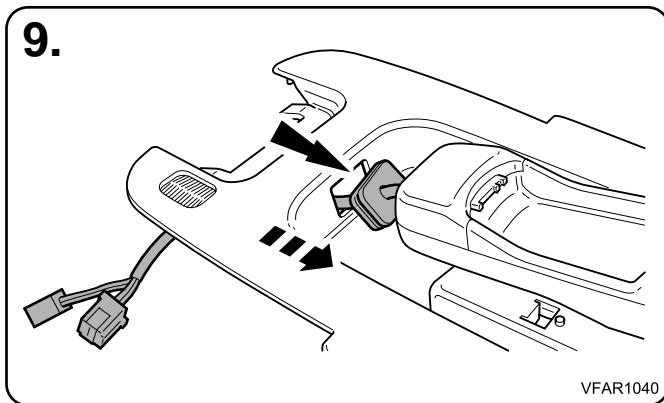
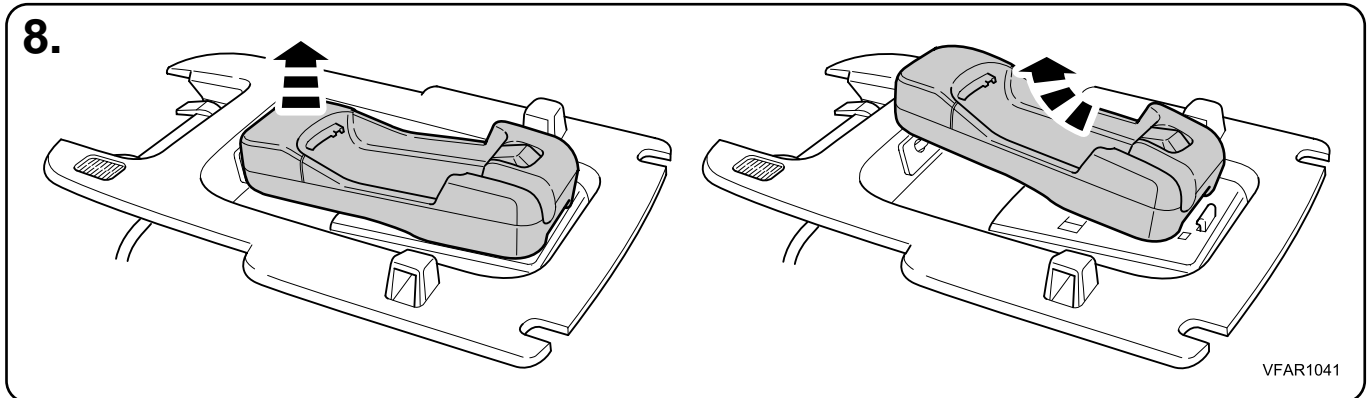
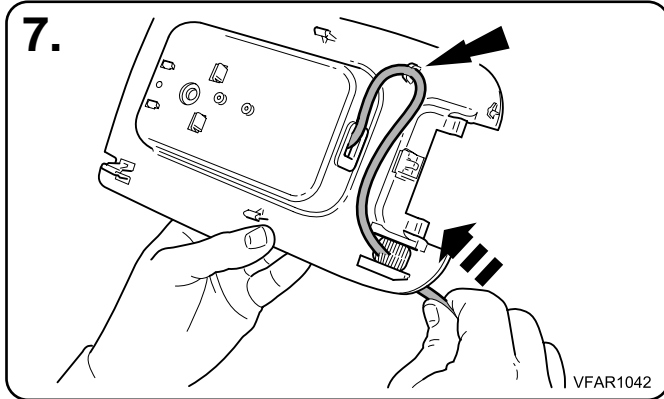




FITTING INSTRUCTIONS, INSTRUCTIONS DE MONTAGE,
EINBAUANLEITUNG, ISTRUZIONI DI MONTAGGIO,
INSTRUCCIONES DE MOTAJE, 取扱説明書

S-Type

Bluetooth telephone system



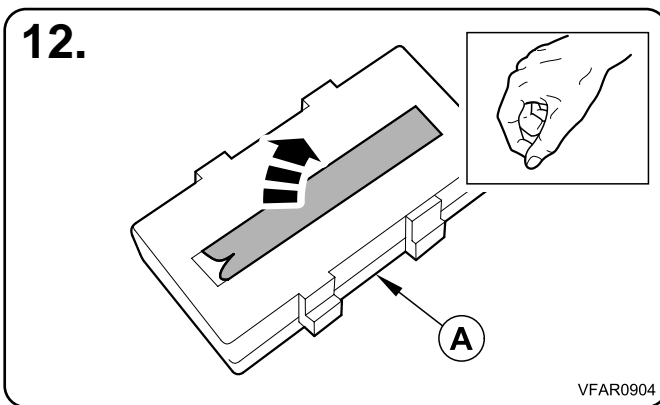
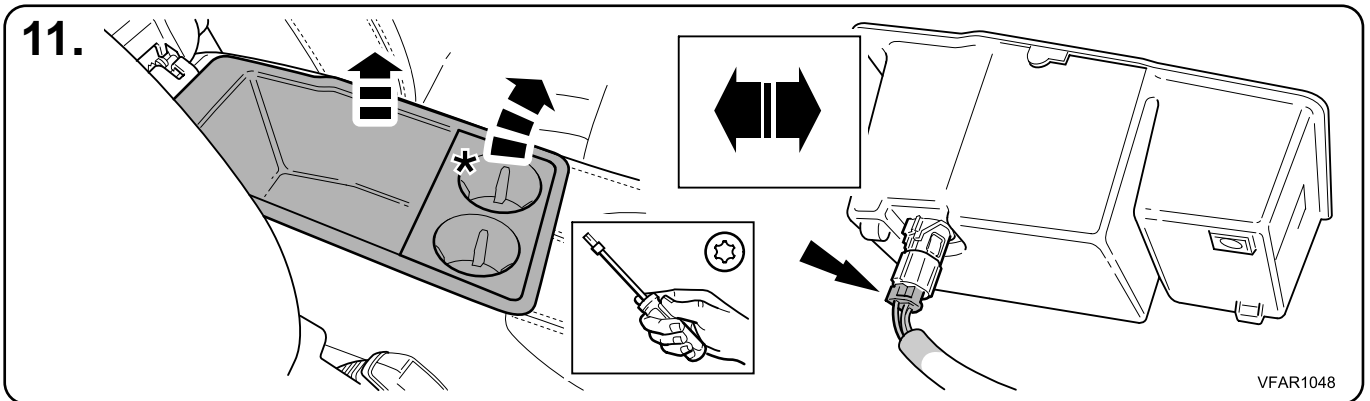


S-Type

Bluetooth telephone system

Notes

11. * Remove cup holder if fitted.



Notes:

12. Remove the adhesive backing tape.

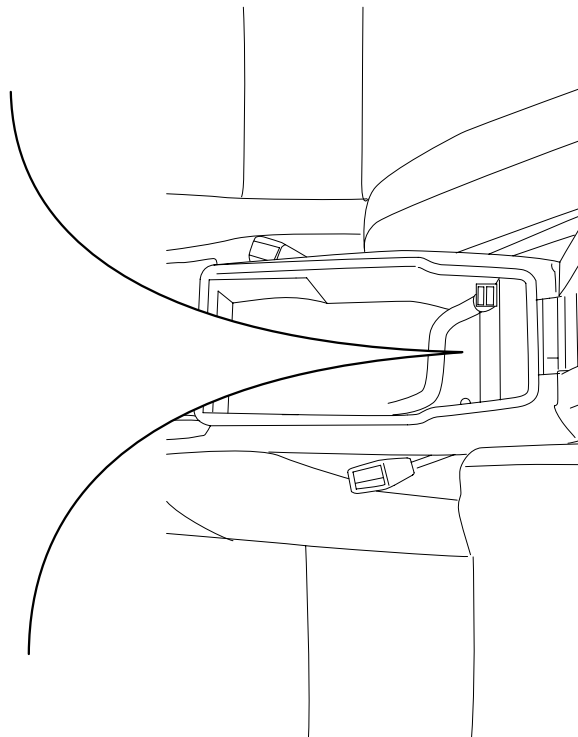
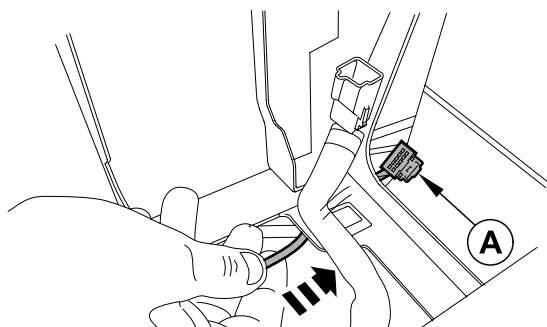


FITTING INSTRUCTIONS, INSTRUCTIONS DE MONTAGE,
EINBAUANLEITUNG, ISTRUZIONI DI MONTAGGIO,
INSTRUCCIONES DE MONTAJE, 取扱説明書

S-Type

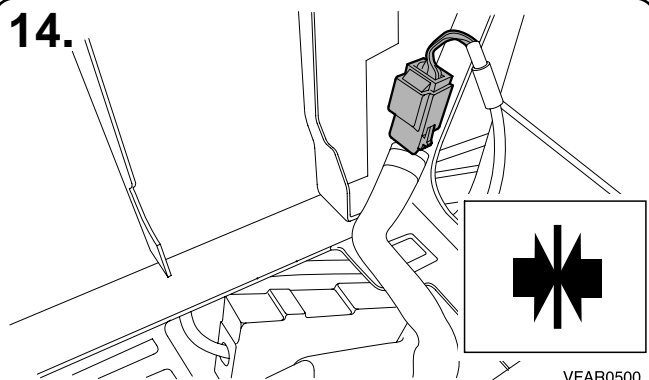
Bluetooth telephone system

13.



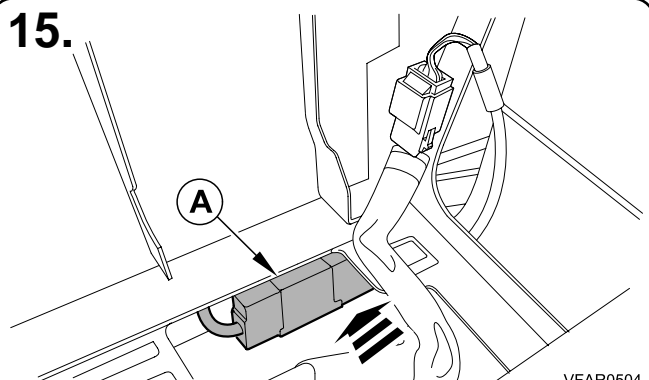
VFAR0907

14.



VFAR0500

15.



VFAR0504

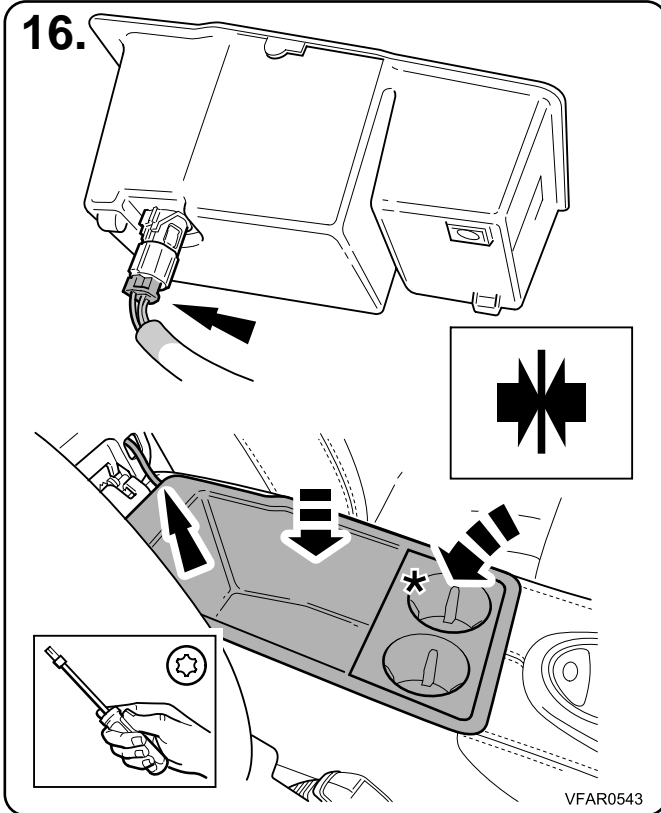
MY 2003 ➔

www.jaguartechinfo.com/extfree2viewjagprod/index.jsp

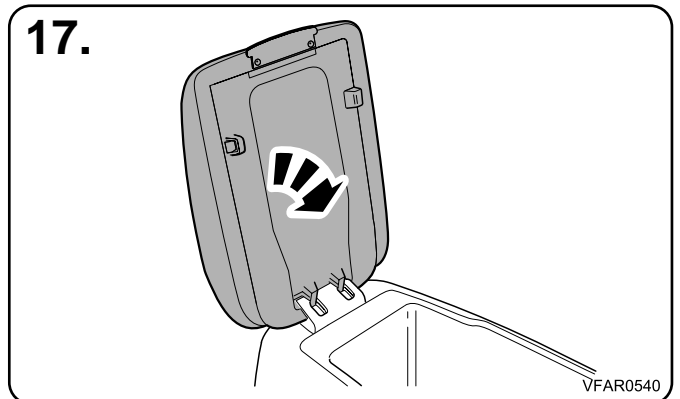


S-Type

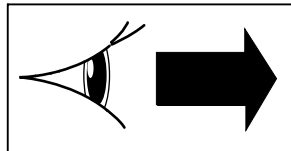
Bluetooth telephone system



★ Notes:
16. If fitted.

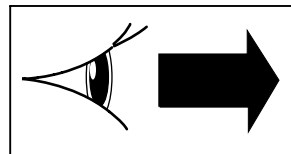


Notes
If the vehicle requires a microphone to be fitted.

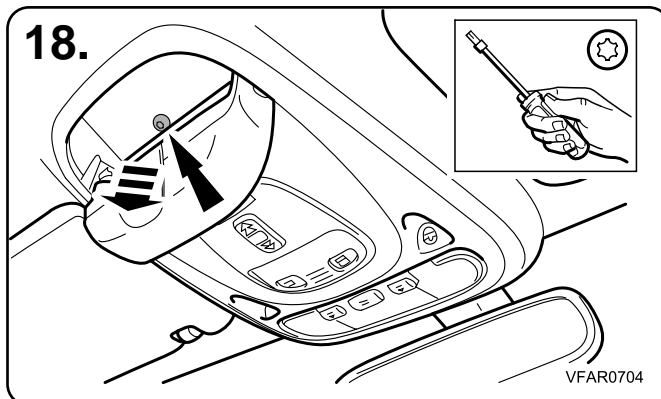


18.

Notes
If the vehicle is fitted with voice, or has had a telephone fitted previously.



31.



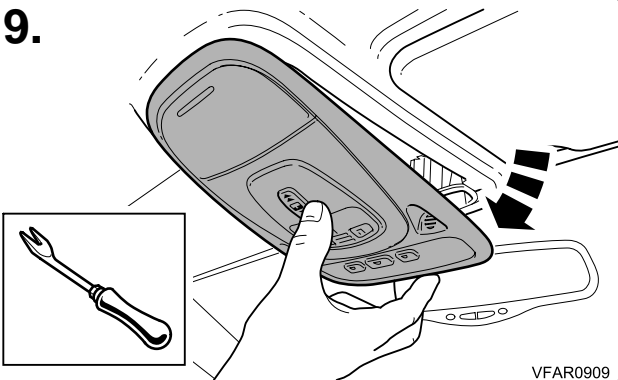


FITTING INSTRUCTIONS, INSTRUCTIONS DE MONTAGE,
EINBAUANLEITUNG, ISTRUZIONI DI MONTAGGIO,
INSTRUCCIONES DE MONTAJE, 取扱説明書

S-Type

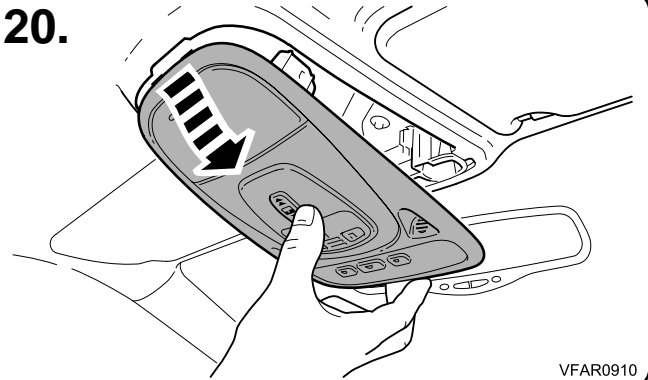
Bluetooth telephone system

19.



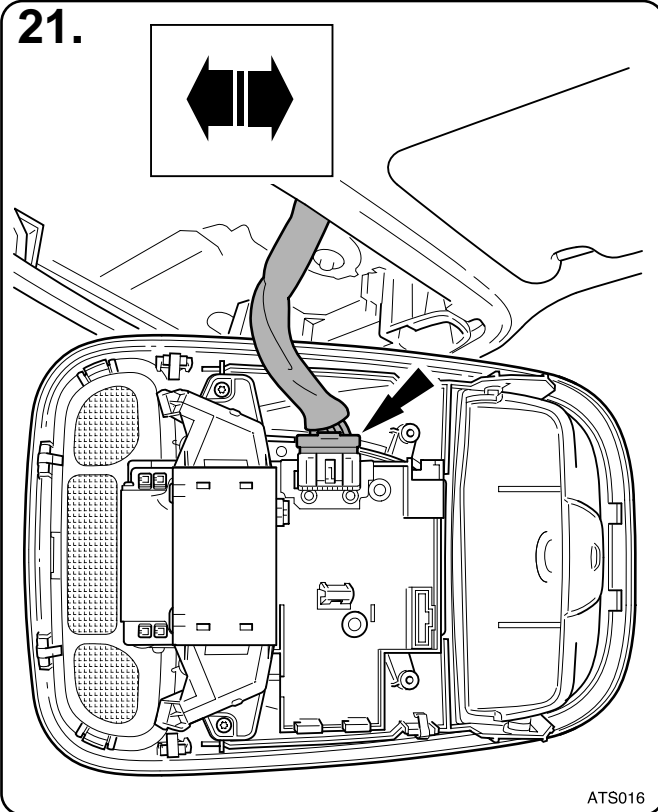
VFAR0909

20.



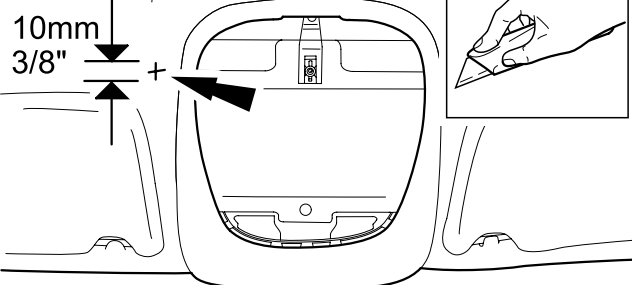
VFAR0910

21.



ATS016

22.



VFAR0971

Notes:

22. Cut trim alongside aperture to fit microphone.

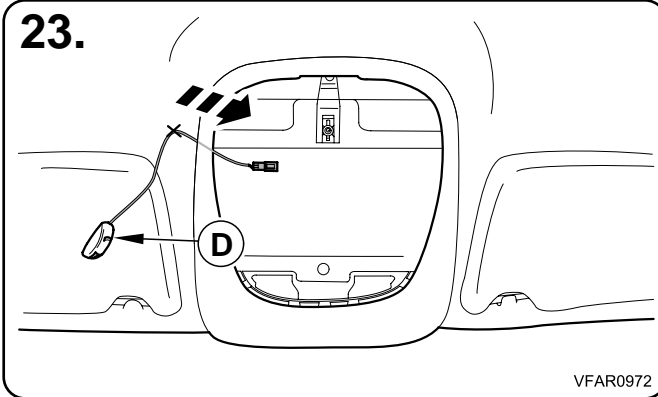
MY 2003 →

www.jaguartechno.com/extfree2viewjagprod/index.jsp

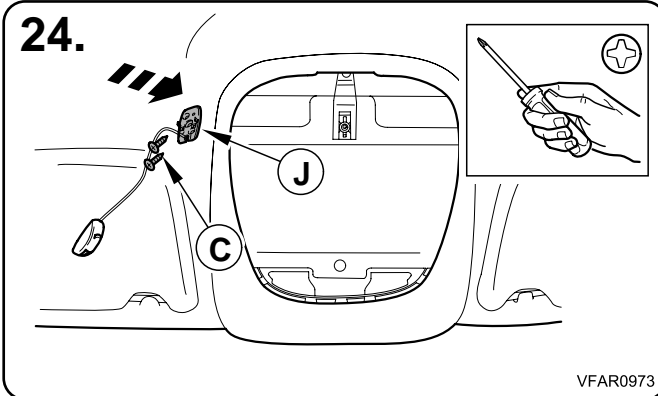
S-Type

Bluetooth telephone system

23.



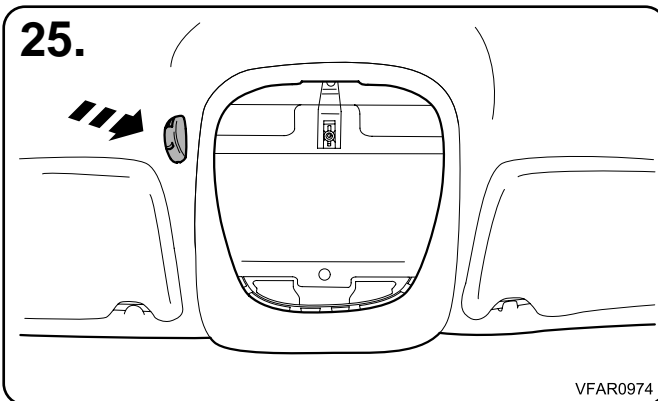
24.



Notes:

- 24. Secure microphone base plate, angled towards the driver.

25.



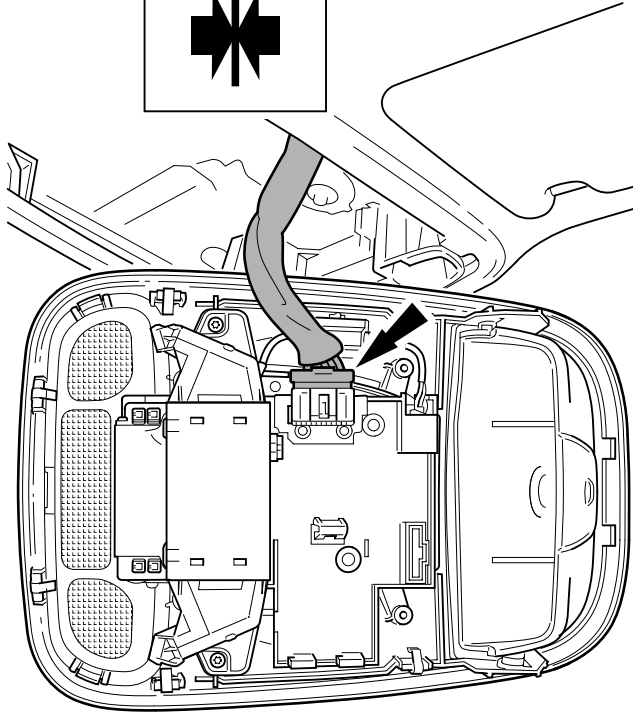
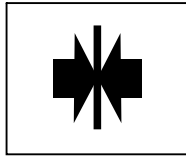
Notes:

- 25. Fully fit microphone.

S-Type

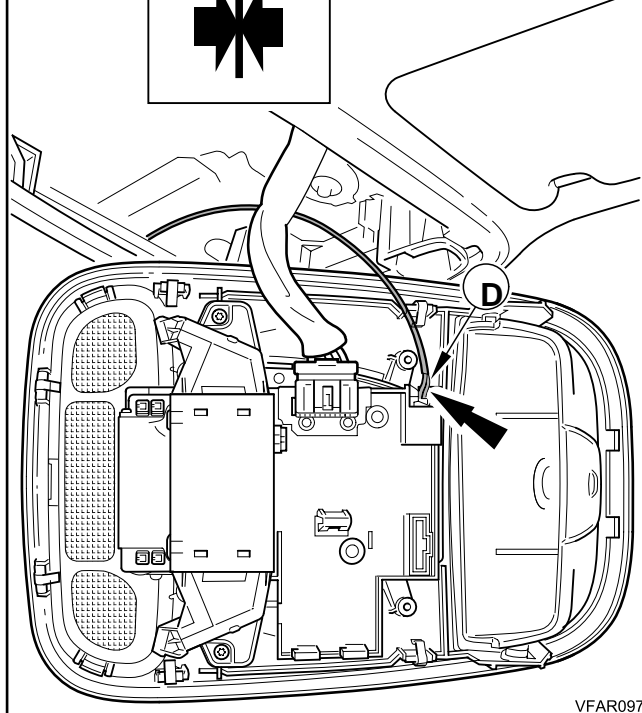
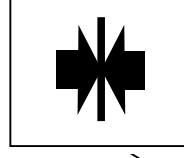
Bluetooth telephone system

26.



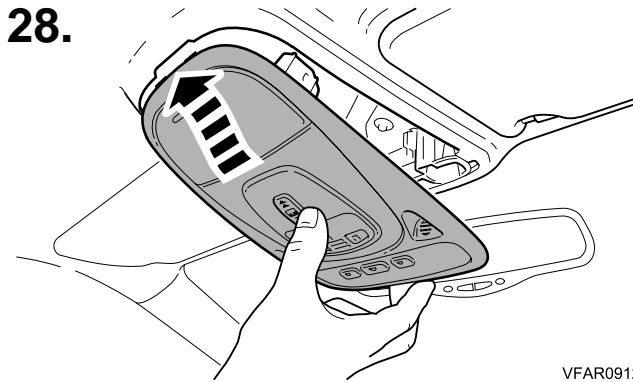
VFAR1059

27.



VFAR0975

28.



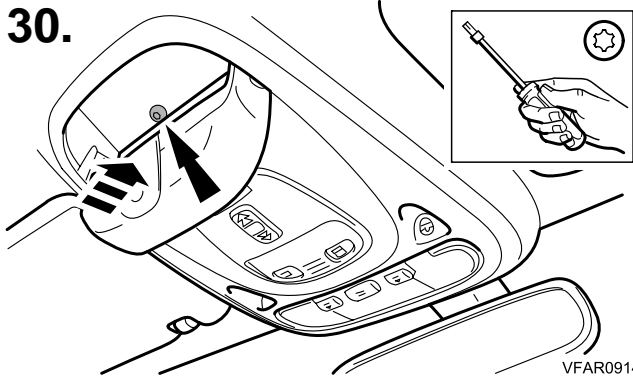
VFAR0912

29.



VFAR0911

30.



VFAR0914

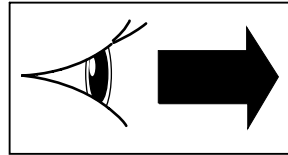


S-Type

Bluetooth telephone system

Notes

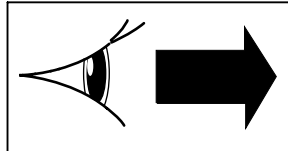
If the vehicle requires the fitment of a telephone module.



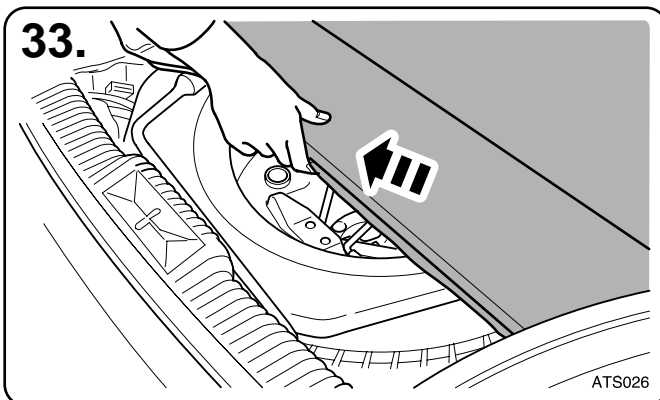
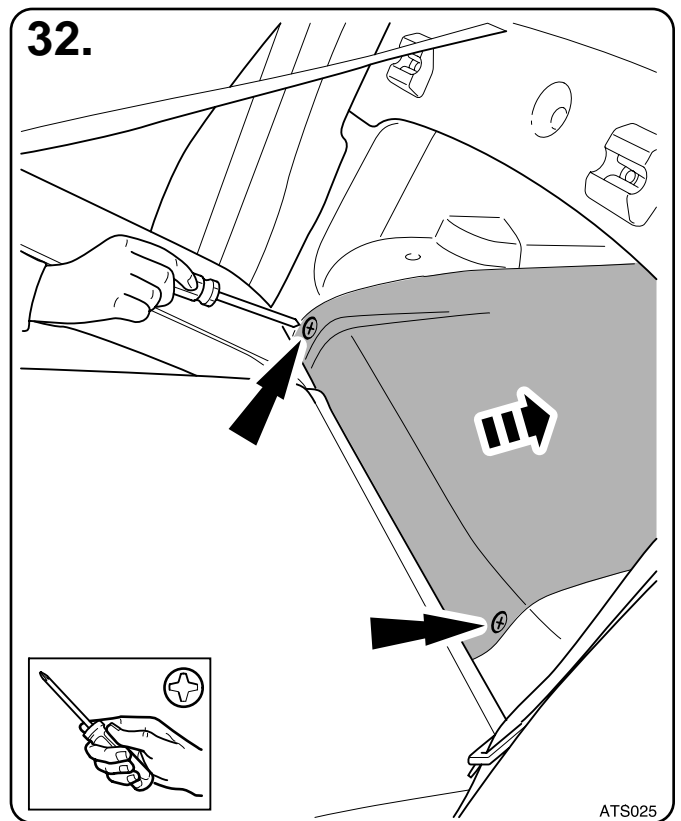
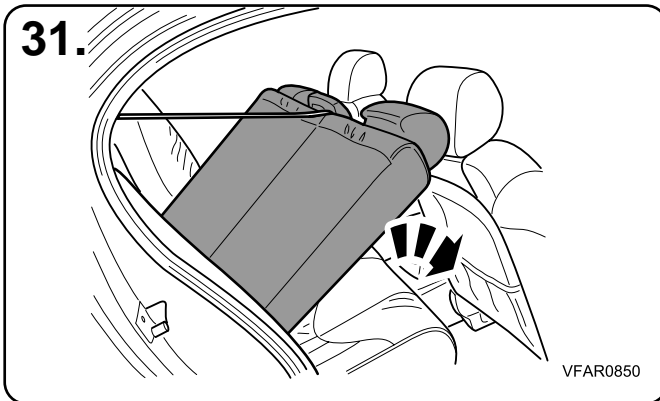
31.

Notes

If the vehicle has a suitable telephone module fitted.



46.

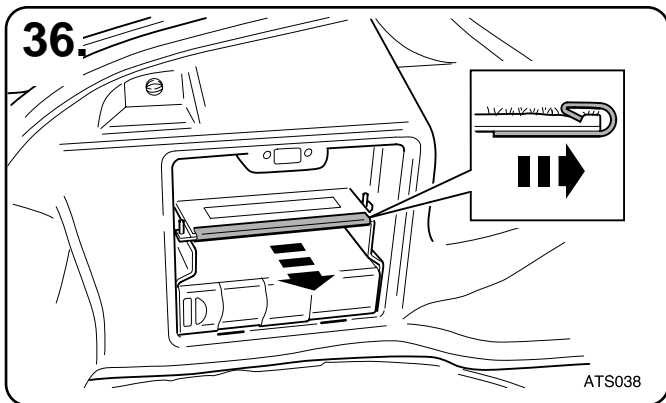
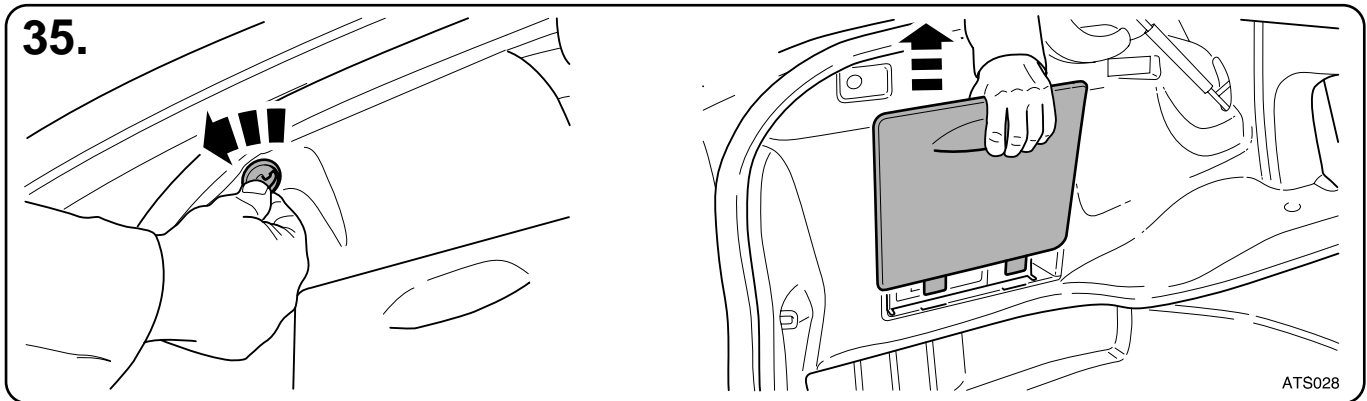
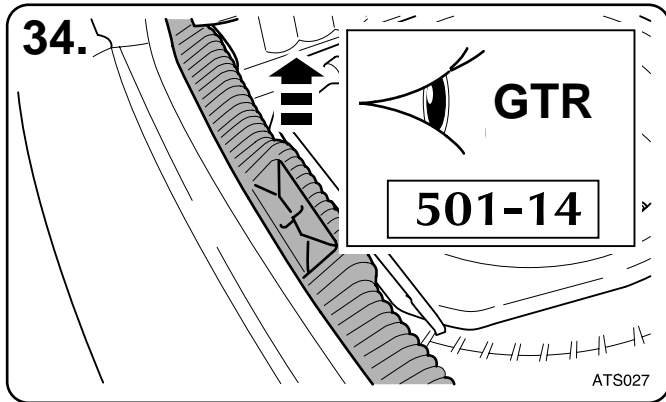




FITTING INSTRUCTIONS, INSTRUCTIONS DE MONTAGE,
EINBAUANLEITUNG, ISTRUZIONI DI MONTAGGIO,
INSTRUCCIONES DE MOTAJE, 取扱説明書

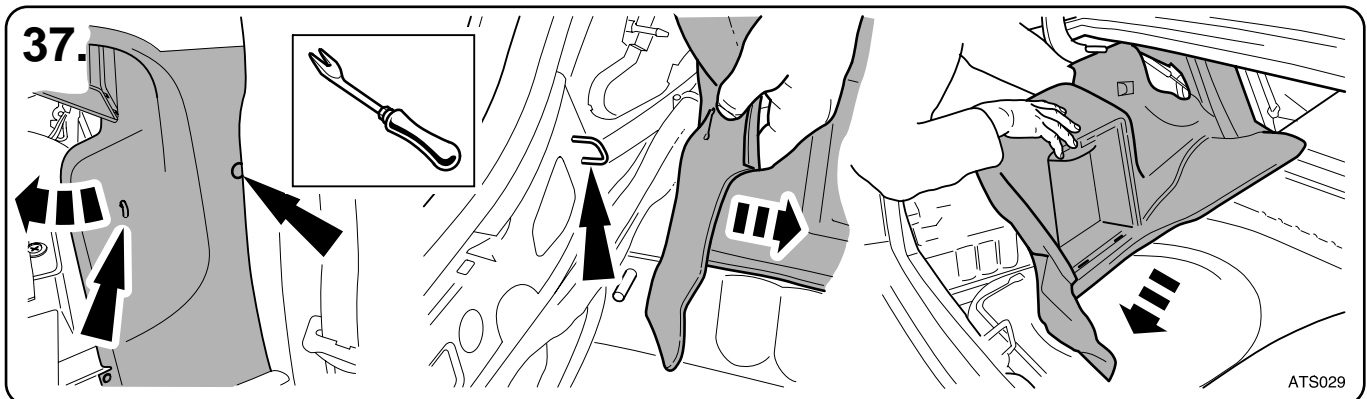
S-Type

Bluetooth telephone system



Notes:

36. Remove the plastic strip, if fitted.



MY 2003 →

www.jaguarinfo.com/extfree2viewjagprod/index.jsp



**FITTING INSTRUCTIONS, INSTRUCTIONS DE MONTAGE,
EINBAUANLEITUNG, ISTRUZIONI DI MONTAGGIO,
INSTRUCCIONES DE MOTAJE, 取扱説明書**

S-Type

Bluetooth telephone system

Introduction

The following part of the instruction details the operations and sequence necessary for the modules in the trunk of the vehicle. Carry out these instructions as follows:

- Identify the current spec of the vehicle you are fitting the accessory to in the first column of the following table (A).
- Follow the sequence of the numbers in the second column for the order in which to carry out the operations.

(The operations and their numbers are listed in the table below (B), Illustrations are included after the translated text to help you. These are referenced to the operation numbers)

(A) Current Vehicle Specification	Operations Sequence
No Telematics Fitted.	18, 2, 6, 28, 29, 7, 30, 3, 23 & 20.
Voice.	2, 4, 15, 21, 6, 5, 7, 23, 28, 29, 3 & 20.
Cd Player	10, 26, 2, 6, 28, 29, 7, 30, 3, 23, 1, 24, 9, 25, 19 & 11.
Voice & Cd Player.	10, 8, 15, 2, 4, 22, 21, 6, 28, 29, 7, 5, 23, 3, 24, 19 & 11
Navigation.	10, 12, 14, 2, 6, 28, 29, 7, 23, 30, 3, 13, 11, 20 & 27.
Voice & Navigation.	10, 12, 14, 15, 22, 2, 4, 21, 6, 28, 29, 7, 5, 23, 3, 20, 27, 13 & 11.
Cd Player & Navigation.	10, 12, 8, 18, 2, 6, 28, 29, 23, 30, 3, 24, 19, 13, 25, & 11
Voice, Cd Player & Navigation.	10, 12, 8, 15, 2, 22, 4, 21, 6, 28, 29, 5, 7, 23, 3, 24, 19, 13 & 11.
Power Amp.	16, 10, 14, 2, 6, 28, 29, 7, 23, 30, 3, 20, 11, 27, & 17.
Voice & Power Amp.	16, 10, 14, 15, 2, 4, 22, 21, 6, 28, 29, 7, 5, 23, 3, 20, 11, 27 & 17.
Cd Player & Power Amp.	16, 10, 8, 14, 18, 2, 6, 28, 29, 7, 23, 30, 3, 25, 24, 19, 11 & 17.
Voice, Cd Player & Power Amp.	16, 10, 8, 14, 15, 2, 4, 22, 21, 6, 28, 29, 7, 5, 23, 3, 25, 19, 11, 24 & 17.
Navigation & Power Amp.	16, 10, 12, 14, 2, 6, 28, 29, 7, 23, 30, 3, 20, 27, 13, 11 & 17.
Voice, Navigation & Power Amp.	16, 10, 12, 14, 15, 2, 4, 22, 21, 6, 28, 29, 7, 5, 23, 3, 20, 27, 13, 11 & 17.
Cd Player, Navigation & Power Amp.	16, 10, 12, 8, 18, 2, 6, 28, 29, 7, 23, 24, 30, 3, 19, 13, 11 & 17.
Voice, Cd Player, Navigation & Power Amp.	16, 10, 12, 8, 15, 2, 4, 22, 21, 6, 28, 29, 7, 5, 23, 3, 24, 19, 13, 11 & 17.

(B) Operation No.	Operation
1	Connect main D2b lead and electrical connectors to CD Player.
2	Displace the Kaiser bracket.
3	Replace the Kaiser bracket.
4	Disconnect Original D2b lead to Voice module.
5	Connect New D2b lead to Voice module.
6	Secure Telephone module to Kaiser bracket.
7	Connect New D2b lead to Telephone module.
8	Disconnect electrical connector to CD Player.
9	Fit retaining clips securing New D2b lead to stack.
10	Displace stack.
11	Replace stack.
12	Disconnect Electrical connectors to Navigation module.
13	Reconnect Electrical connectors to Navigation module.
14	Disconnect D2b plug from stack.
15	Disconnect D2b plug on Kaiser bracket.
16	Disconnect Electrical connectors to Power Amp.
17	Reconnect Electrical connectors to Power Amp.
18	Remove D2b shorting loop.
19	Reconnect Electrical connector on CD Player.
20	Connect main vehicle D2b lead to plug on Kaiser bracket.
21	Discard Lead
22	Remove clip securing D2b plug to Kaiser bracket
23	Fit clip securing D2b plug to Kaiser bracket
24	Connect D2b lead to plug on Kaiser bracket
25	Connect Main Vehicle D2b Lead to D2b plug on Stack
26	Disconnect D2b & electrical connector to CD Player.
27	Connect D2b lead to plug on stack.
28	Locate electrical connector and connect to Telephone module.
29	Connect antenna lead to Telephone module.
30	Fit shorting loop to Voice electrical connector.



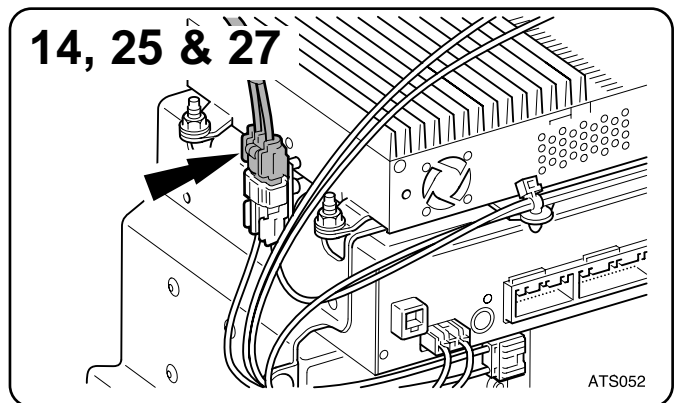
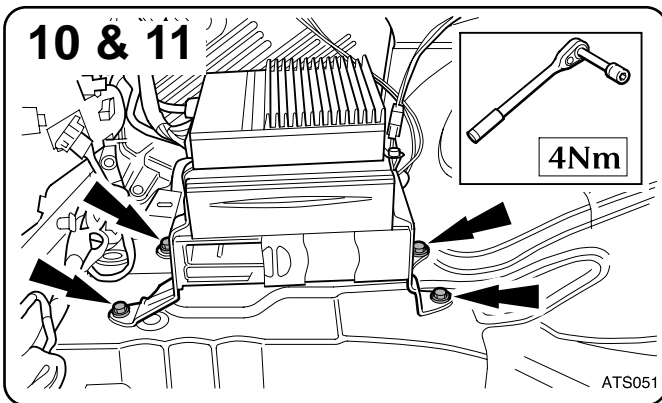
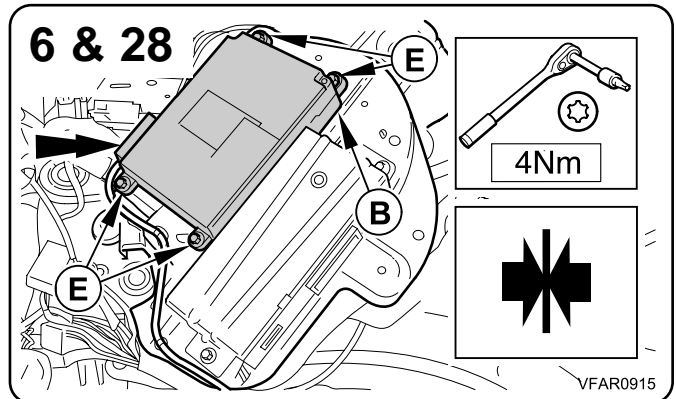
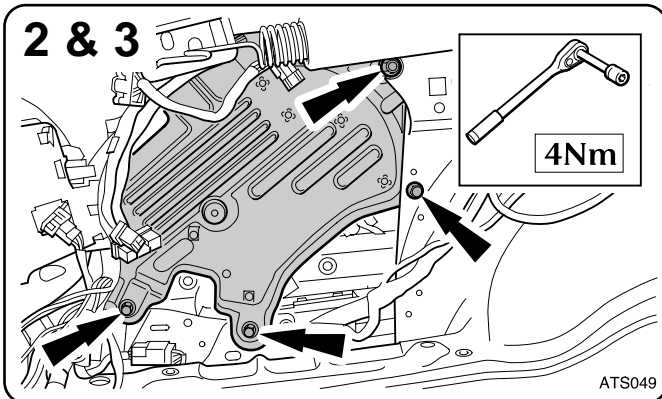
FITTING INSTRUCTIONS, INSTRUCTIONS DE MONTAGE,
EINBAUANLEITUNG, ISTRUZIONI DI MONTAGGIO,
INSTRUCCIONES DE MOTAJE, 取扱説明書

S-Type

Bluetooth telephone system

Reference illustrations

The numbers for the following illustrations refer to the operation numbers in table (B).





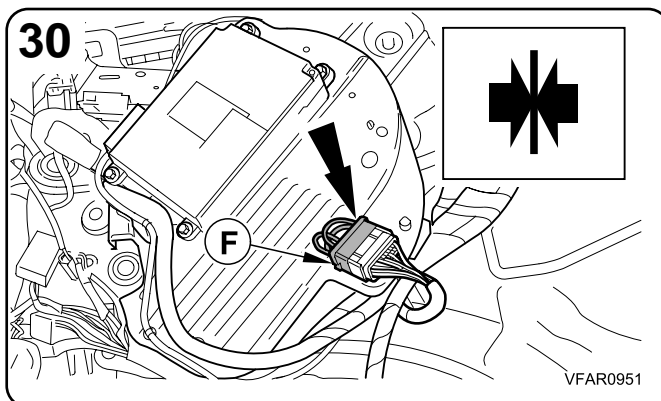
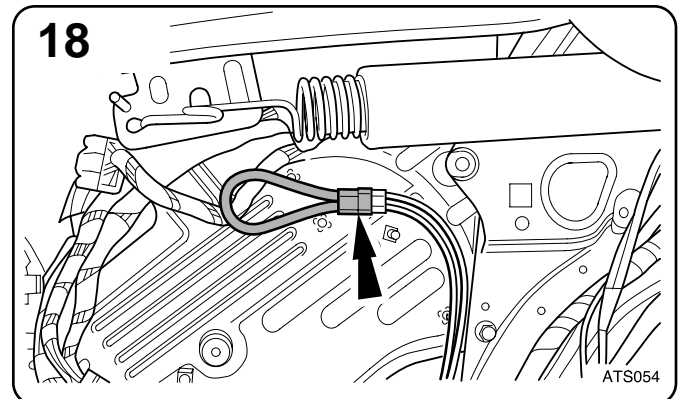
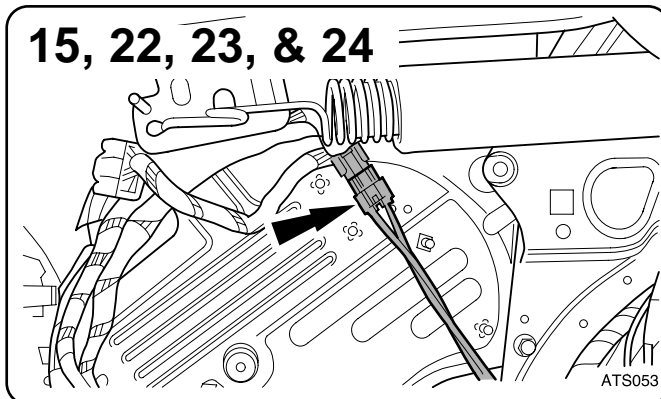
FITTING INSTRUCTIONS, INSTRUCTIONS DE MONTAGE,
EINBAUANLEITUNG, ISTRUZIONI DI MONTAGGIO,
INSTRUCCIONES DE MOTAJE, 取扱説明書

S-Type

Bluetooth telephone system

Reference illustrations

The numbers for the following illustrations refer to the operation numbers in table (B).





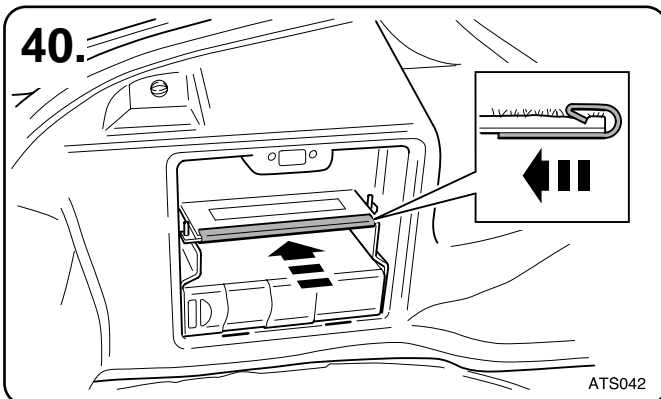
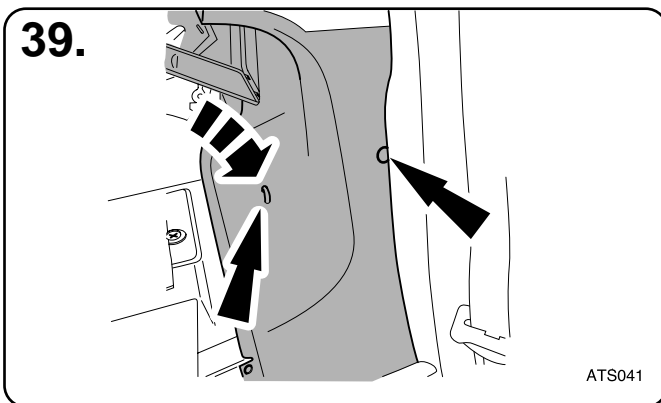
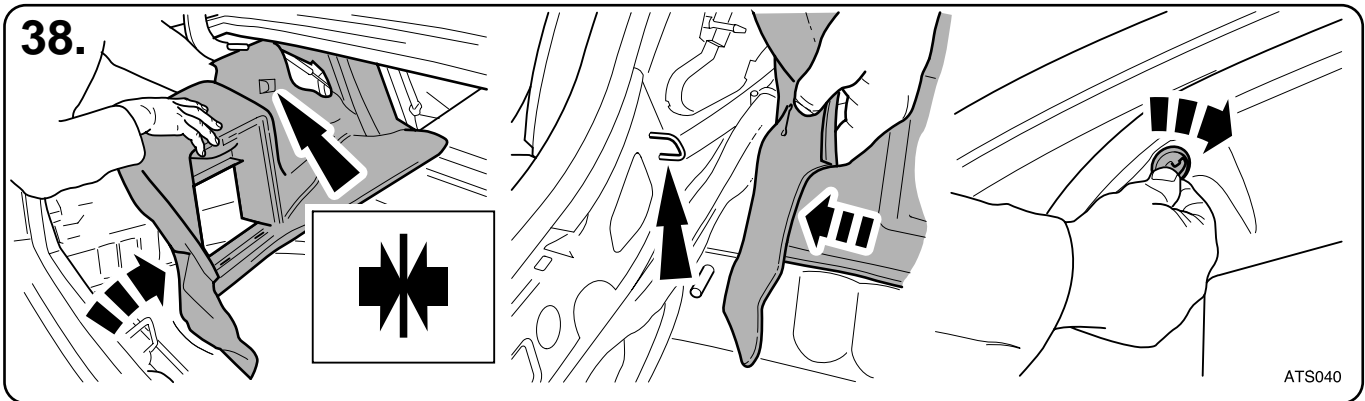
FITTING INSTRUCTIONS, INSTRUCTIONS DE MONTAGE,
EINBAUANLEITUNG, ISTRUZIONI DI MONTAGGIO,
INSTRUCCIONES DE MOTAJE, 取扱説明書

S-Type

Bluetooth telephone system

Notes:

38-46. Carry out these operations on all vehicles.



Notes:

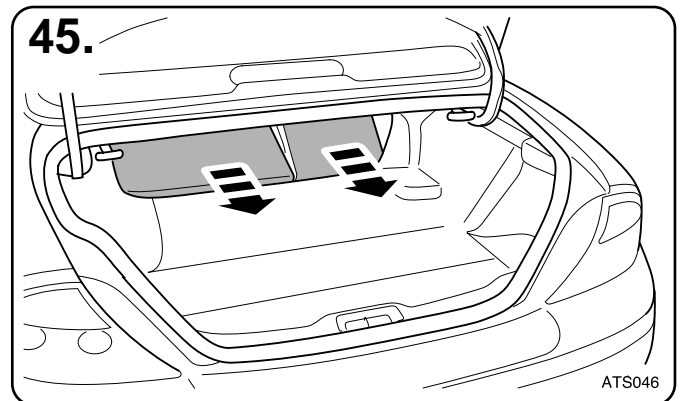
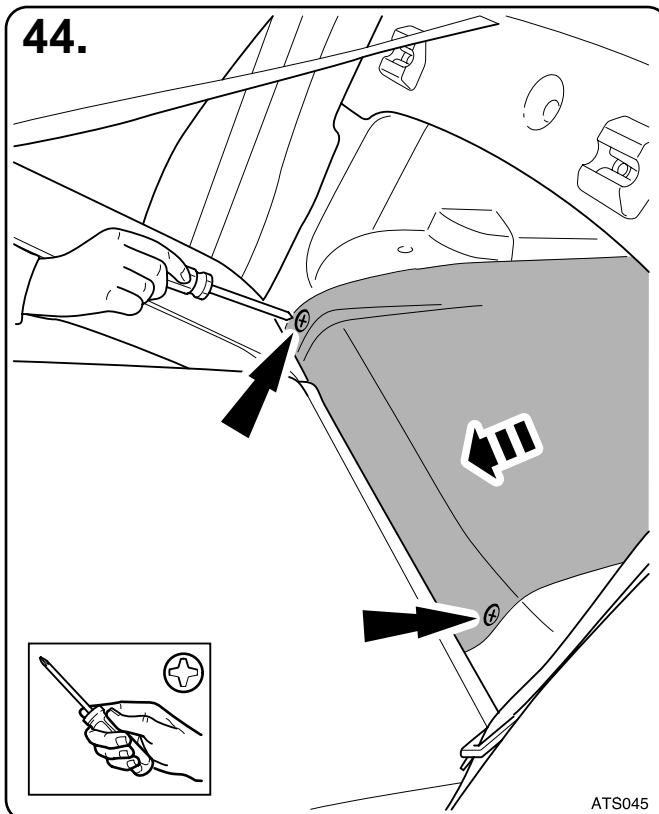
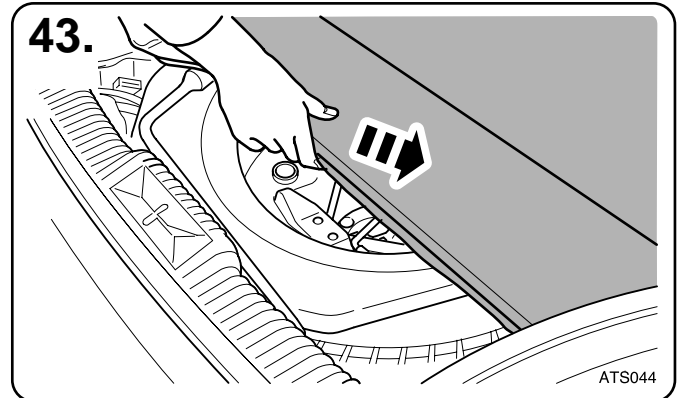
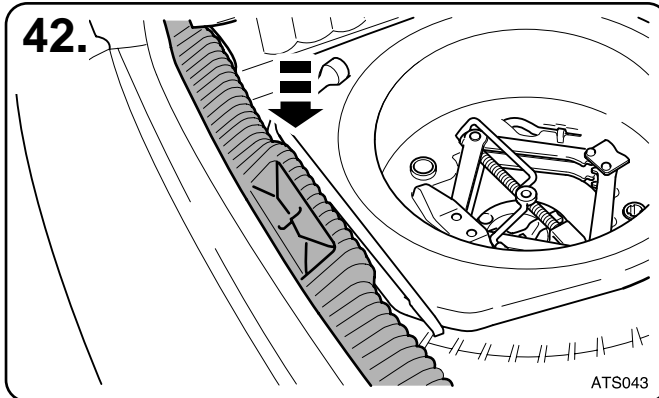
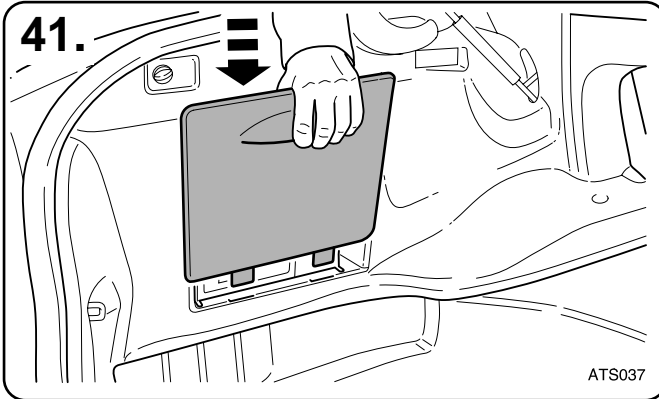
40. If fitted.

MY 2003 →

www.jaguartechinfo.com/extfree2viewjagprod/index.jsp

S-Type

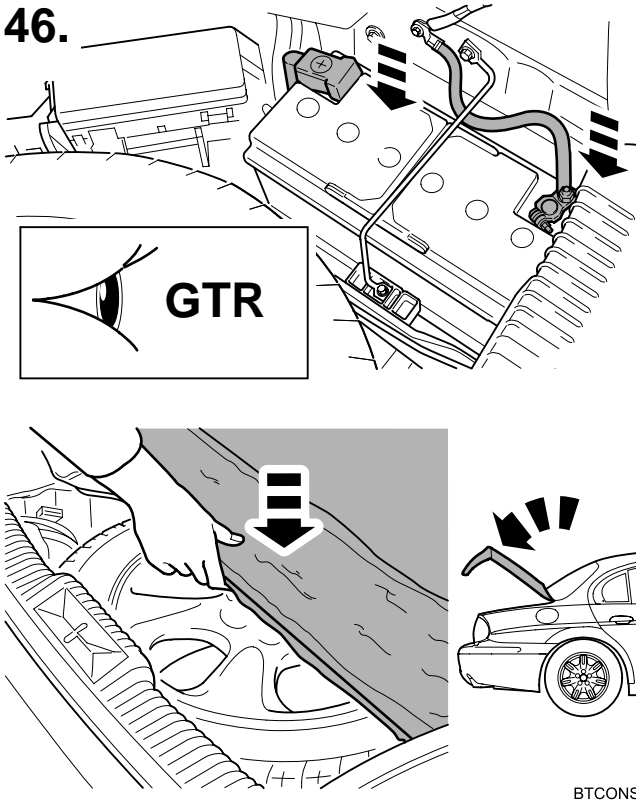
Bluetooth telephone system



S-Type

Bluetooth telephone system

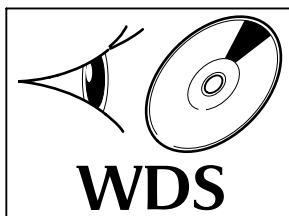
46.



Notes:

46. Refer to GTR / Drivers Handbook to ensure correct operations are carried out, relevant to battery disconnect and reconnect.

47.



Notes:

47. If a new telephone module has been fitted. Refer to WDS. Dealer options, add and remove accessories.