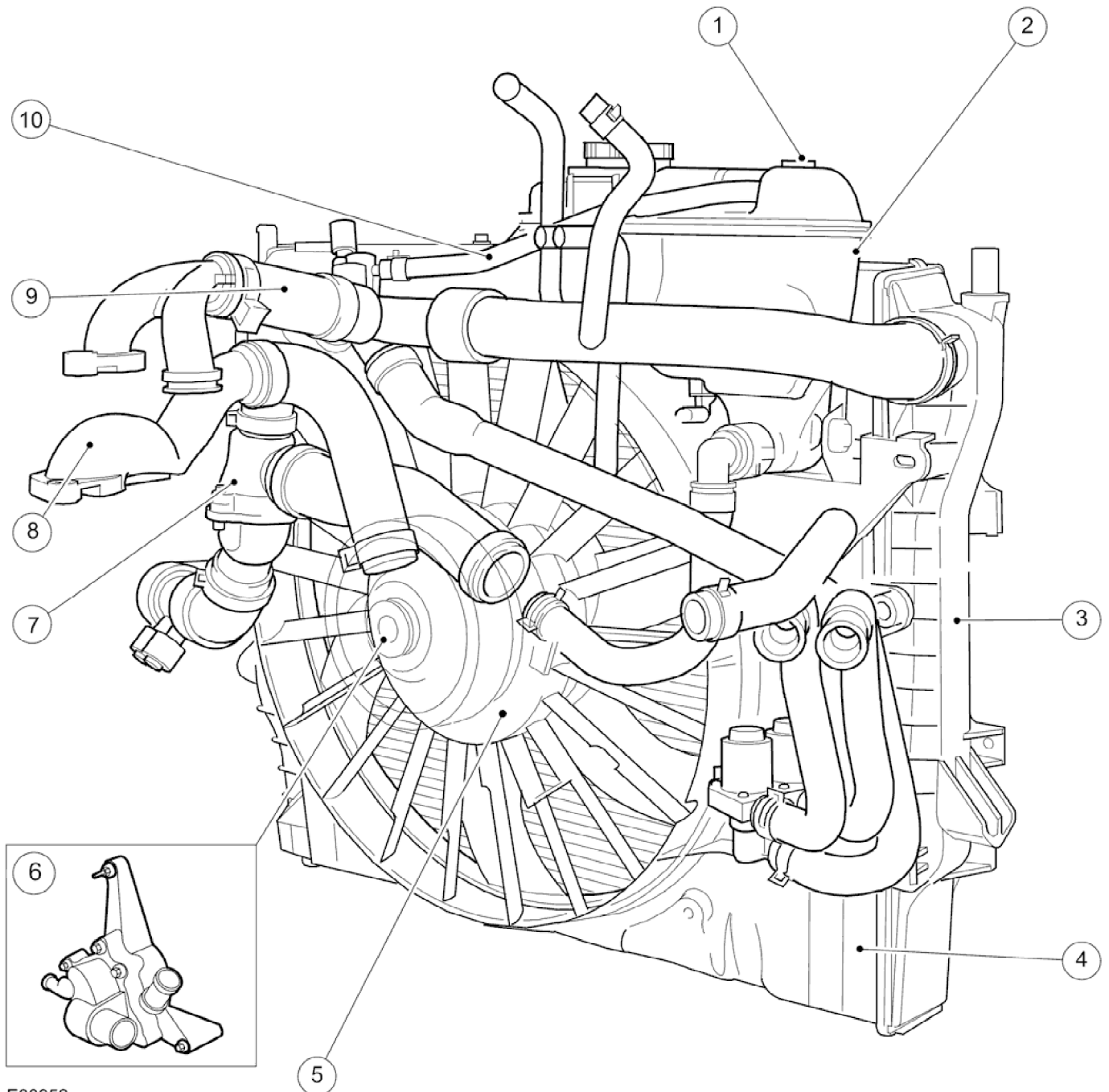


Engine Cooling

Vehicles with 2.5L or 3.0L engine



E30952

- 1
Bleed screw
- 2
Coolant expansion tank
- 3
Radiator

2004 S-TYPE - Engine Cooling - 303-03A

4
Radiator shroud
5
Cooling fan motor
6
Water pump
7
Thermostat housing
8
Engine coolant inlet
9
Engine coolant outlet
10
Vent hose