



# Fitting Instructions

**XK**

**Bluetooth telephone system**

## Information

Global Jaguar accessory instructions can be found at the URL below.

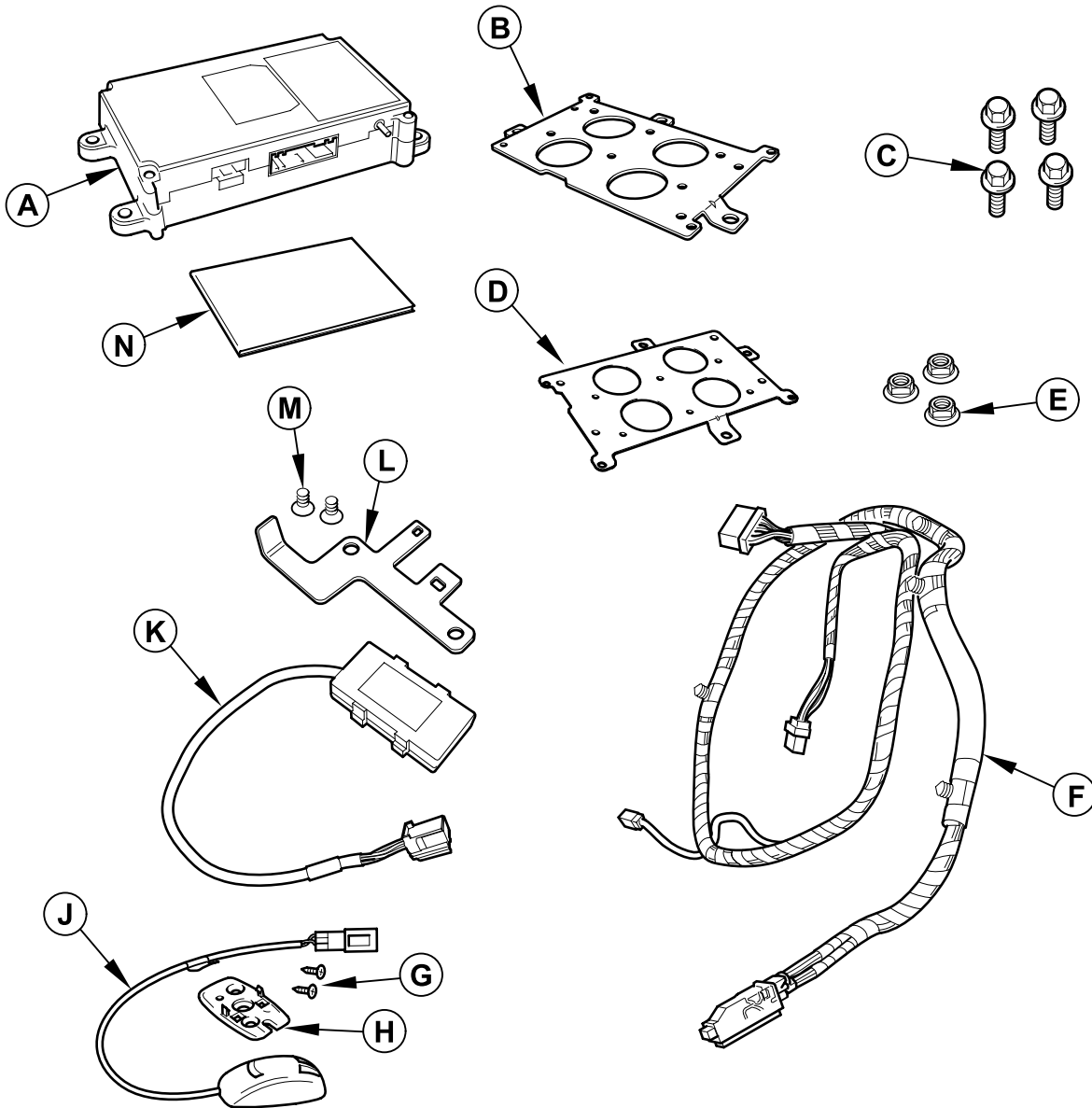
[www.jaguartechno.com/extfree2viewjagprod/index.jsp](http://www.jaguartechno.com/extfree2viewjagprod/index.jsp)

## Notes

This instruction is for North American Vehicles, 2003 Onwards.

XK

Bluetooth telephone system



VFAR0924

**Parts required  
 (Ordered separately)**

**Parts required will vary  
 dependant on the specification  
 of the vehicle.**

- |   |                          |  |
|---|--------------------------|--|
| A. Telephone module.                        | E. Nuts                  | L. Connector bracket                                       |
| B. Telephone module bracket,<br>Convertible | F. Telephone harness     | M. Connector bracket to cubby<br>box liner mounting screws |
| C. Bolts                                    | G. Microphone screws     | N. Handbook  |
| D. Telephone module bracket,<br>Coupe       | H. Microphone base plate |  |
|   | J. Microphone            |  |
|   | K. Bluetooth module      |  |

MY 2003 →



**XK**

## Bluetooth telephone system

**Notes:**

For vehicles already fitted with a telephone system, it will be necessary to check the level of the telephone module prior to fitting a new Bluetooth telephone system.

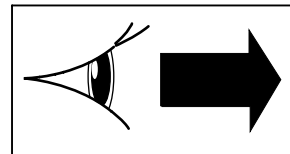
Connect the vehicle to :-

WDS - Configure phone module, and read the level of module.

If the telephone module is earlier than AC level, replace the telephone module. For instructions on replacing the telephone module: follow 27 -32 for convertible and 33-37 for coupe.

**Notes**

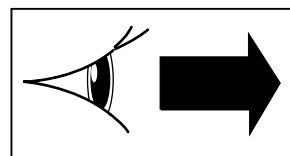
Telephone fitted.



**1.**

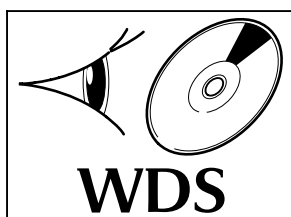
**Notes**

No telephone fitted.



**2.**

**1.**



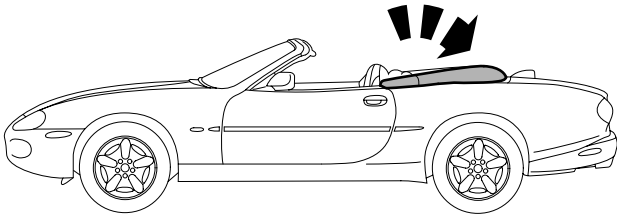
**MY**

**2003** →

**XK**

**Bluetooth telephone system**

**2.**

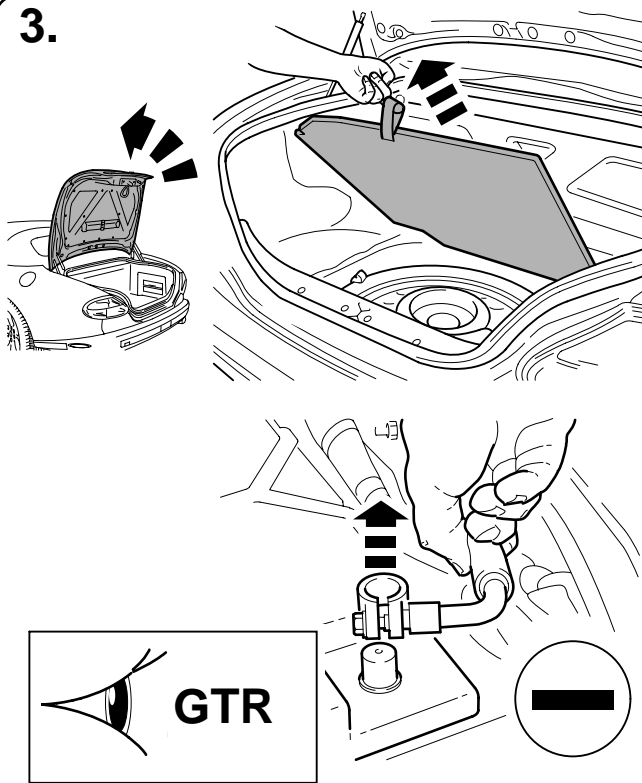


VPK001

**Notes:**

- 2. Convertible only.

**3.**



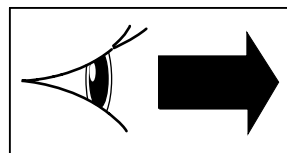
BDK001

**Notes:**

- 3. Refer to GTR / Drivers Handbook to ensure correct operations are carried out, relevant to battery disconnect and reconnect.

**Notes**

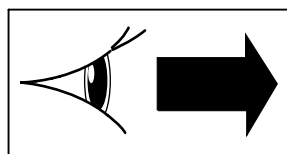
Telephone fitted.



**4.**

**Notes**

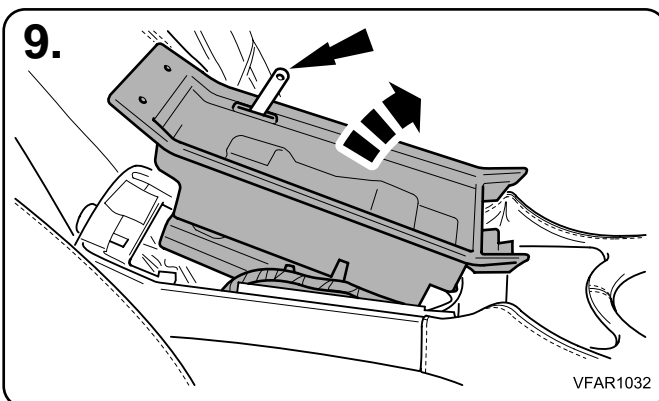
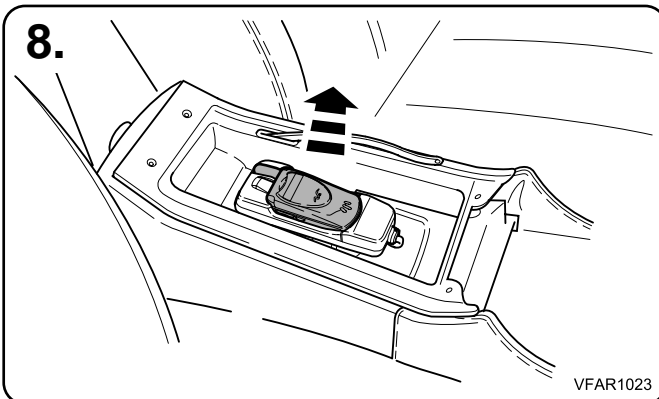
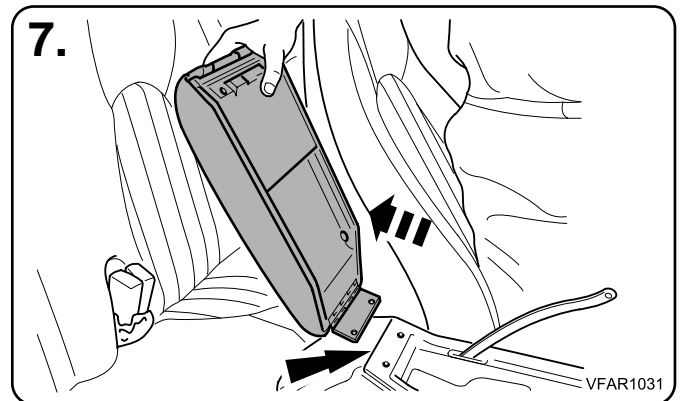
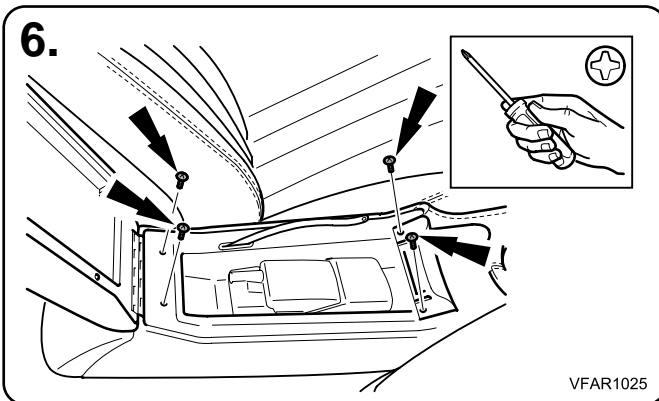
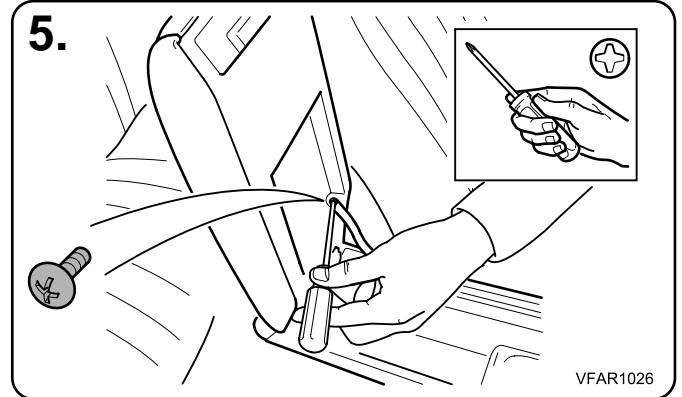
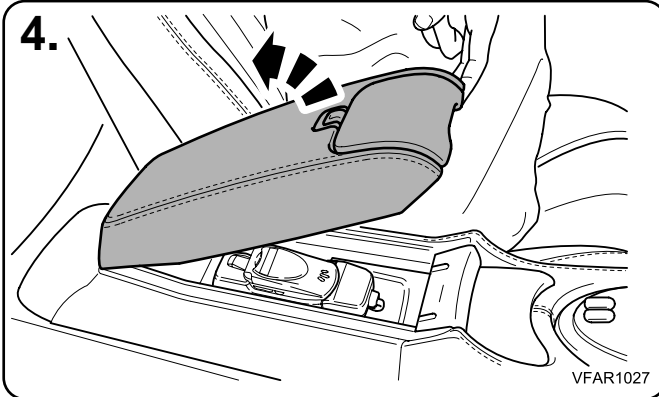
No telephone fitted.



**15.**

XK

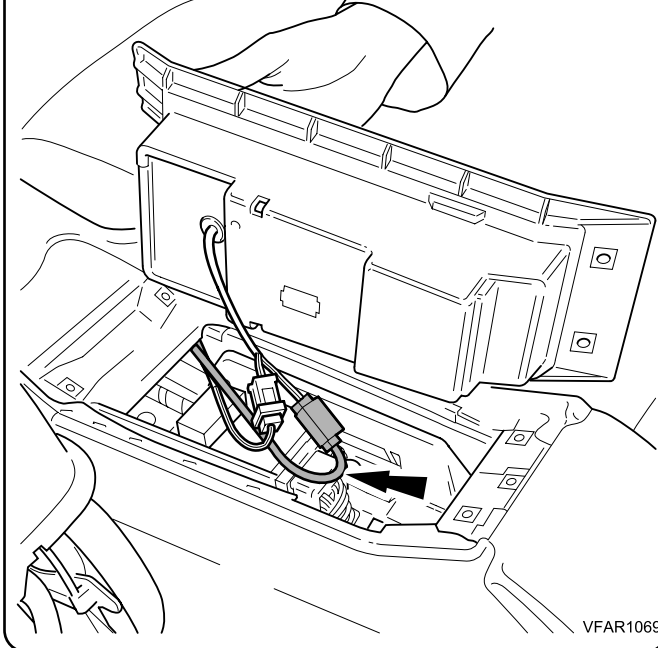
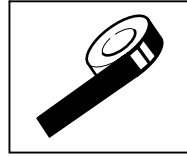
## Bluetooth telephone system



XK

## Bluetooth telephone system

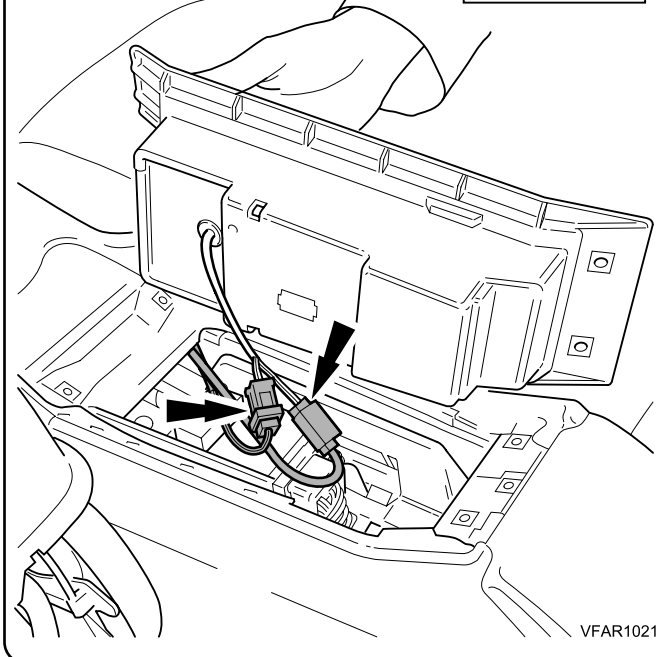
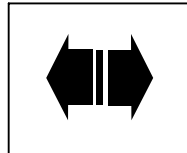
10.



**Notes:**

10. When the antenna is disconnected, secure the connector to the vehicle harness.

11.

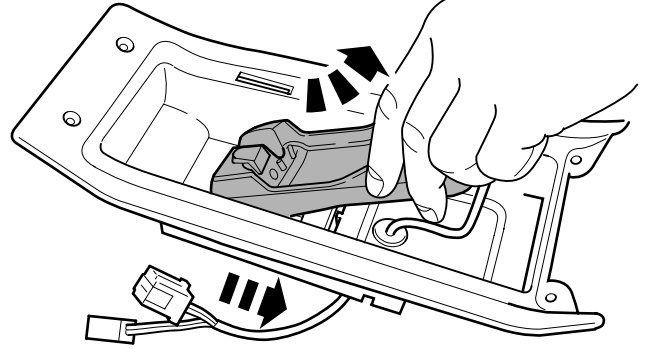
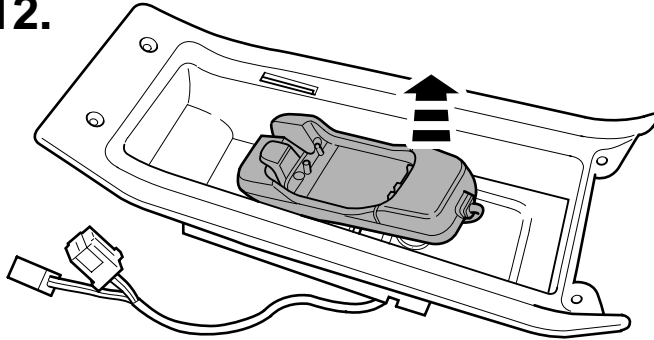


MY 2003 →

XK

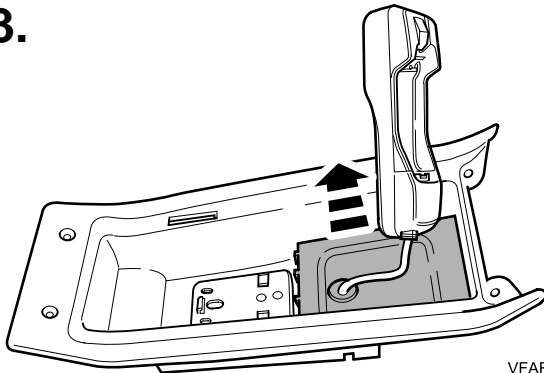
## Bluetooth telephone system

12.



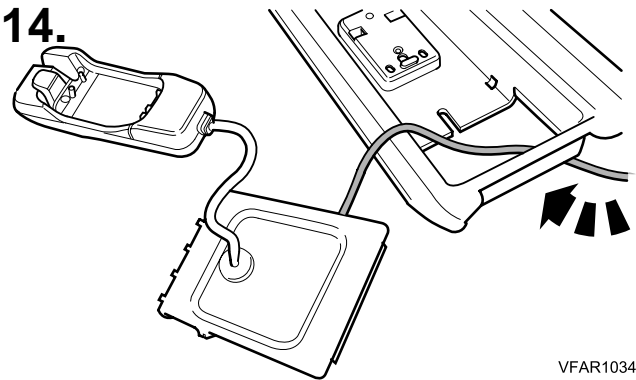
VFAR1020

13.

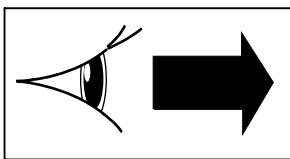


VFAR1019

14.

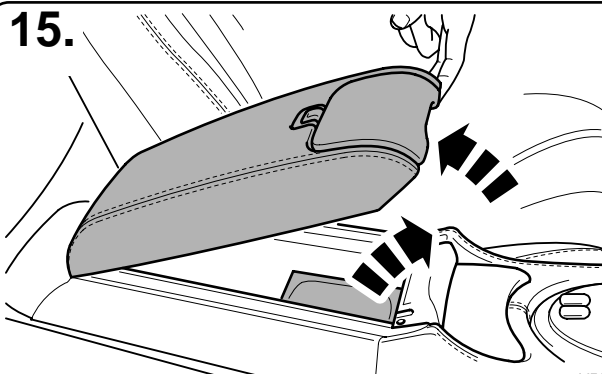


VFAR1034



19.

15.



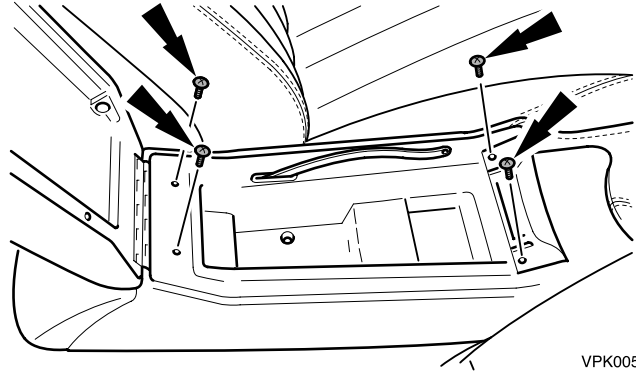
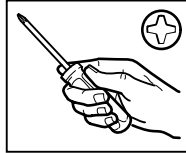
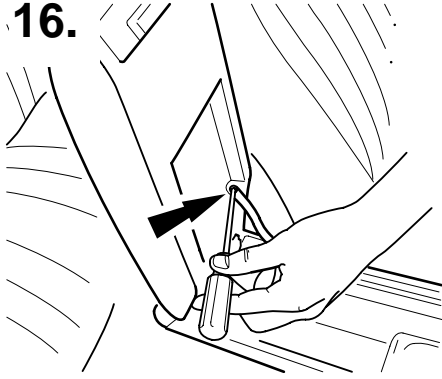
VPK004

MY 2003 →

XK

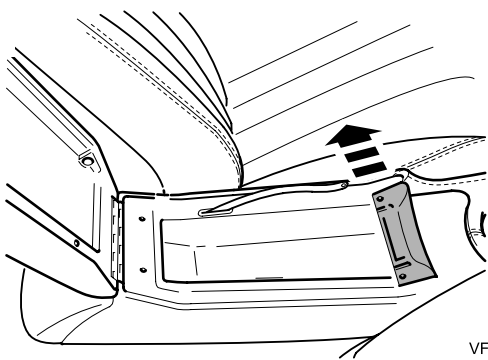
Bluetooth telephone system

16.



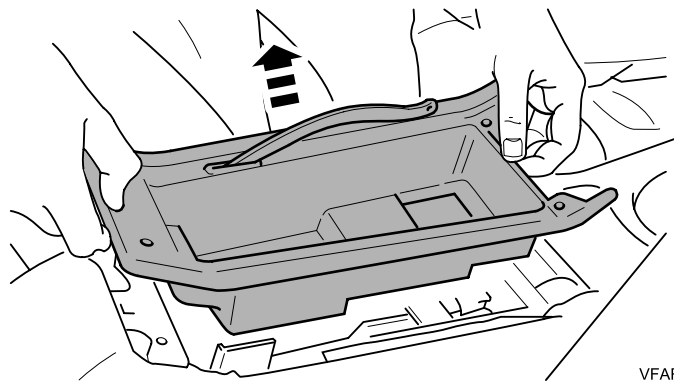
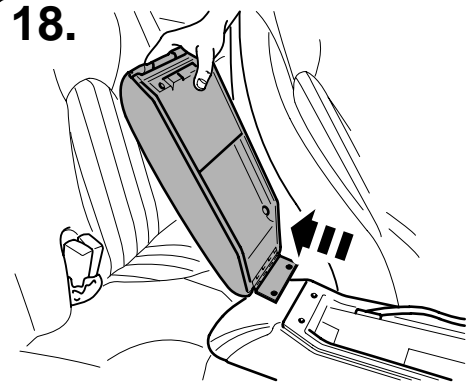
VPK005

17.



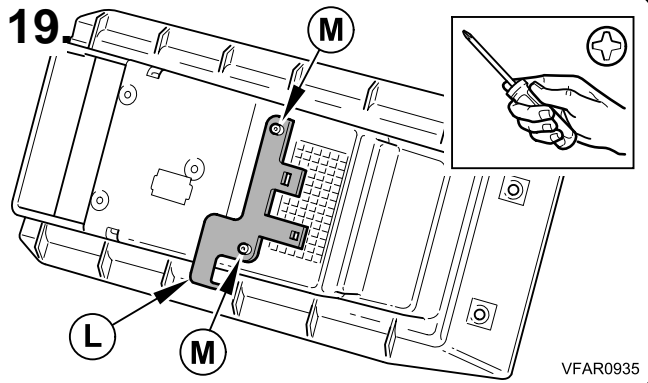
VFAR0923

18.



VFAR0925

19.



VFAR0935

Notes:

19. Fit loom bracket if not already fitted.



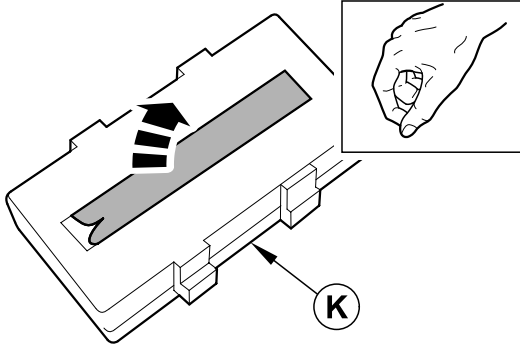


FITTING INSTRUCTIONS, INSTRUCTIONS DE MONTAGE,  
EINBAUANLEITUNG, ISTRUZIONI DI MONTAGGIO,  
INSTRUCCIONES DE MOTAJE, 取扱説明書

**XK**

**Bluetooth telephone system**

**20.**

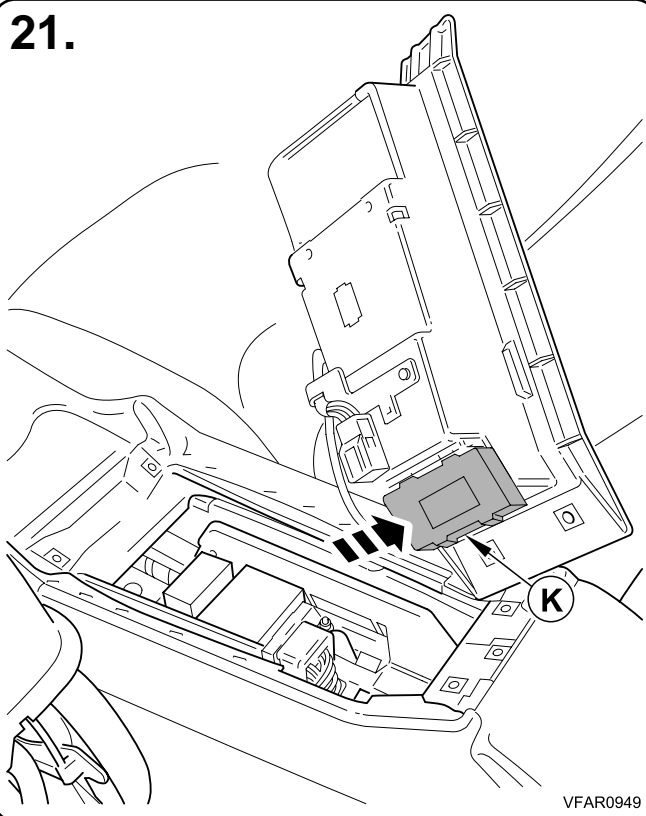


VFAR0927

**Notes:**

20. Remove the adhesive backing tape.

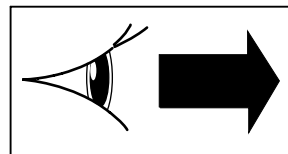
**21.**



VFAR0949

**Notes**

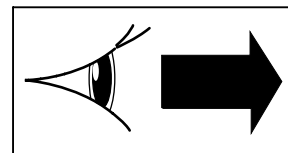
If the vehicle requires a microphone to be fitted.



**22.**

**Notes**

If the vehicle is already fitted with a microphone.

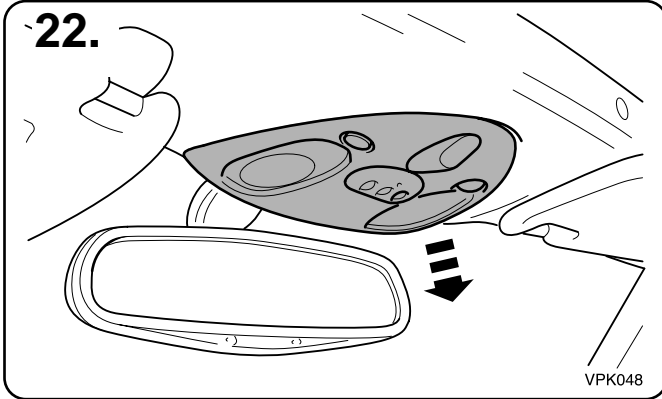


**27.**

**MY 2003** →

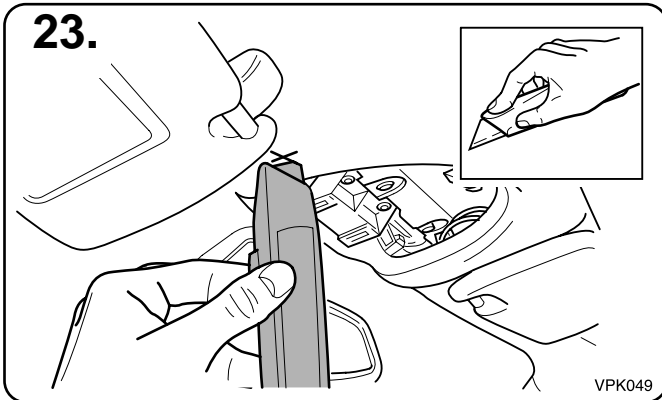
XK

Bluetooth telephone system



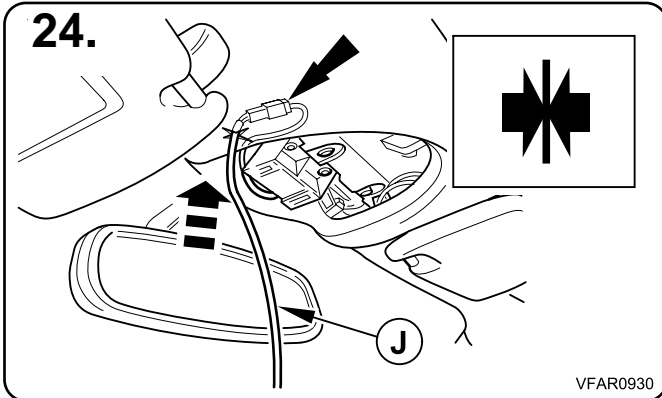
Notes:

22. Lower roof console.



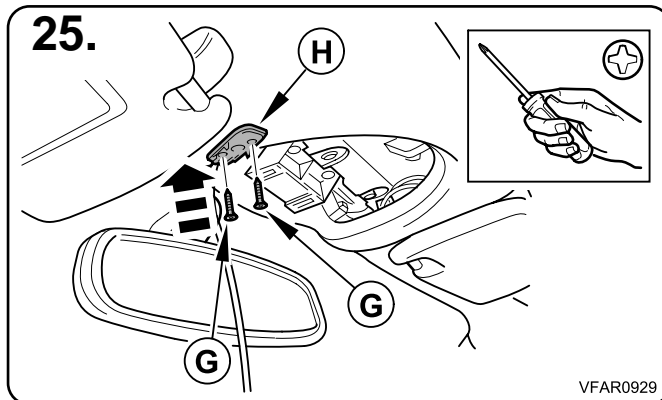
Notes:

23. Cut trim alongside aperture to fit microphone.



Notes:

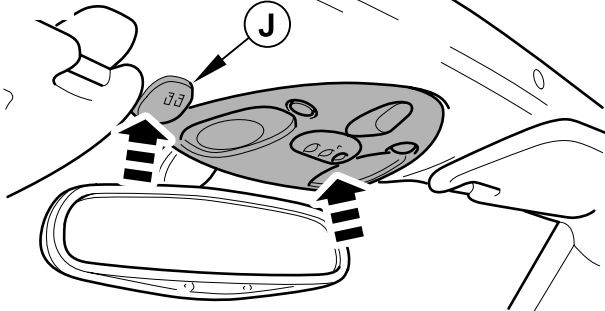
25. Secure microphone base plate, angled towards the driver.



**XK**

**Bluetooth telephone system**

**26.**



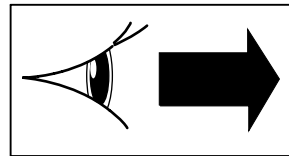
VFAR0928

**Notes:**

26. Fully fit microphone. Refit roof console.

**Notes**

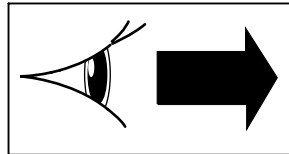
If the vehicle requires the fitment of a telephone module.



**27.**

**Notes**

If the vehicle has a correct level telephone module fitted.

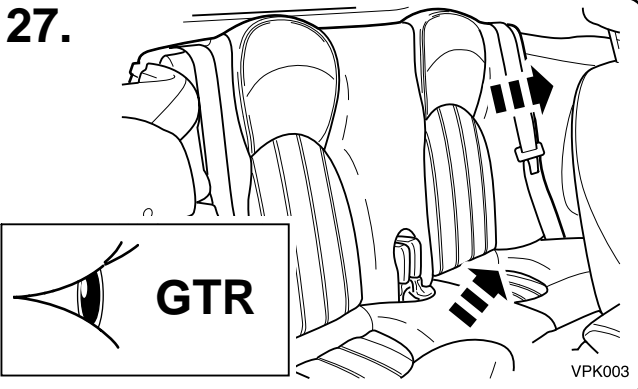


**43.**

**Notes:**

Instructions 27 to 32 refer to Convertible only.  
 For Coupe follow instructions 33 to 37.

**27.**



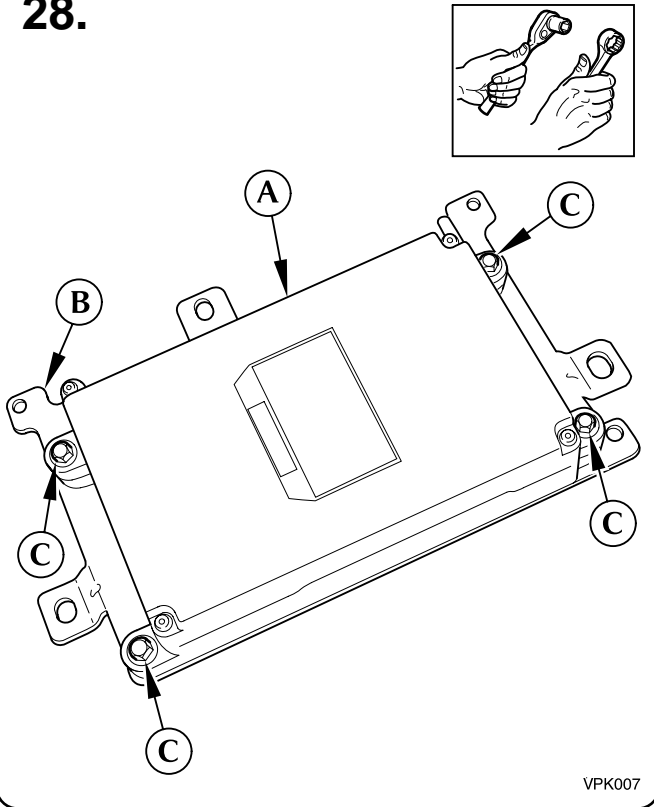
VPK003

**MY 2003** →

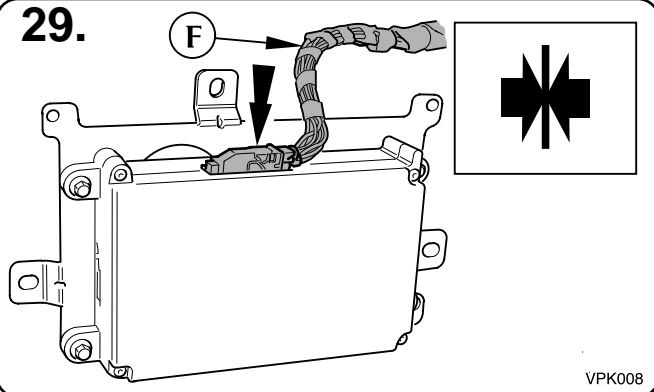
XK

Bluetooth telephone system

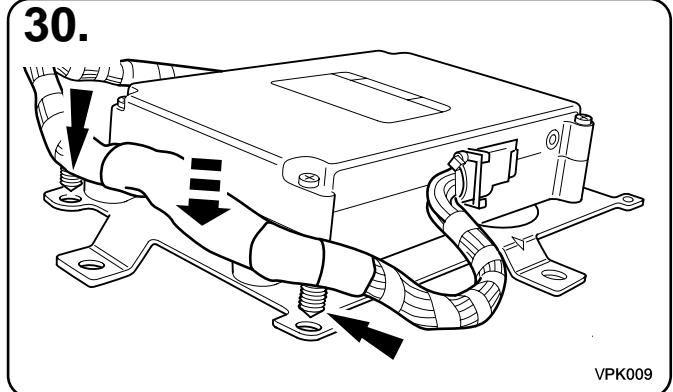
28.



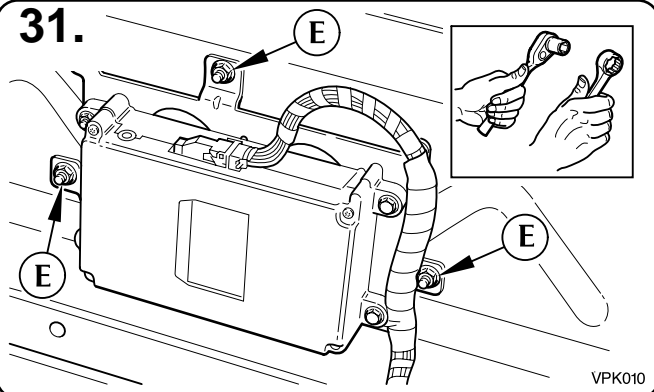
29.



30.



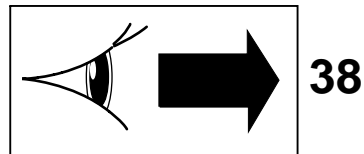
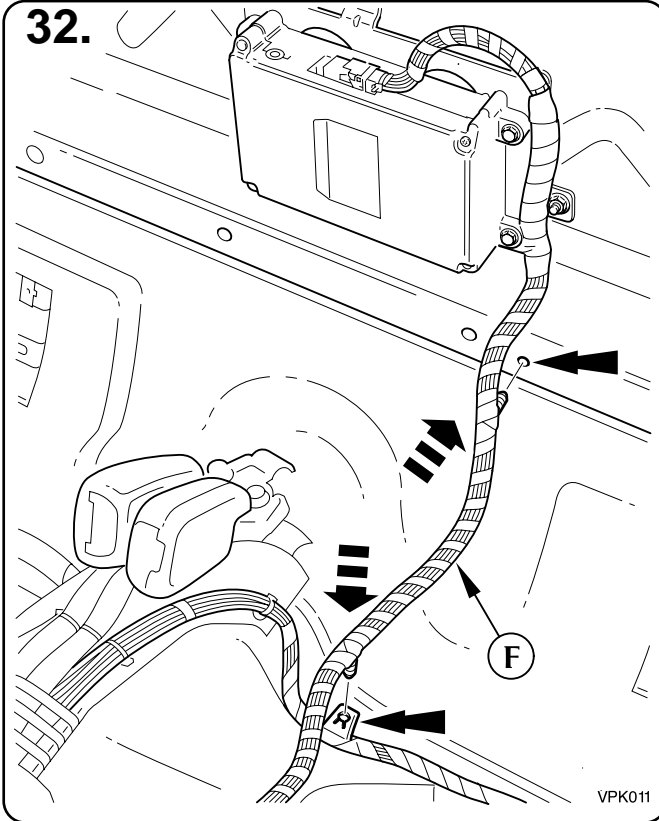
31.



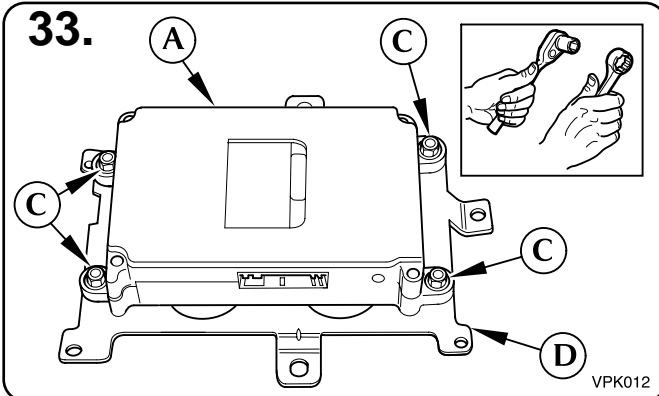
XK

Bluetooth telephone system

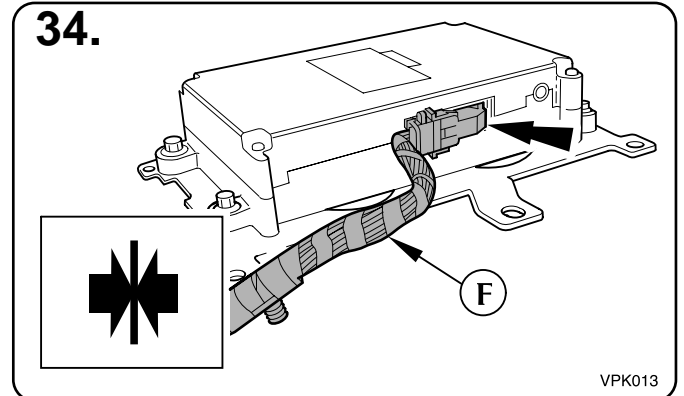
32.



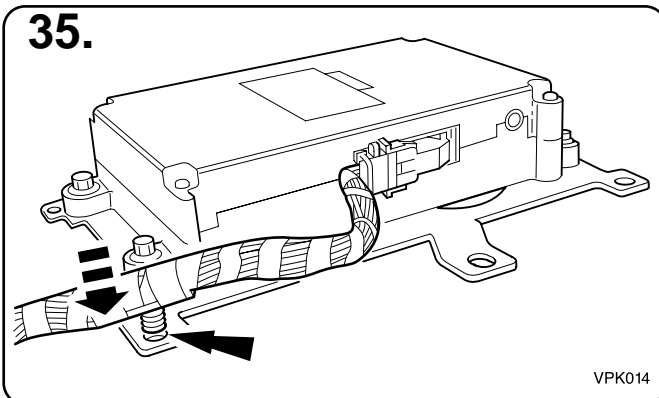
33.



34.



35.

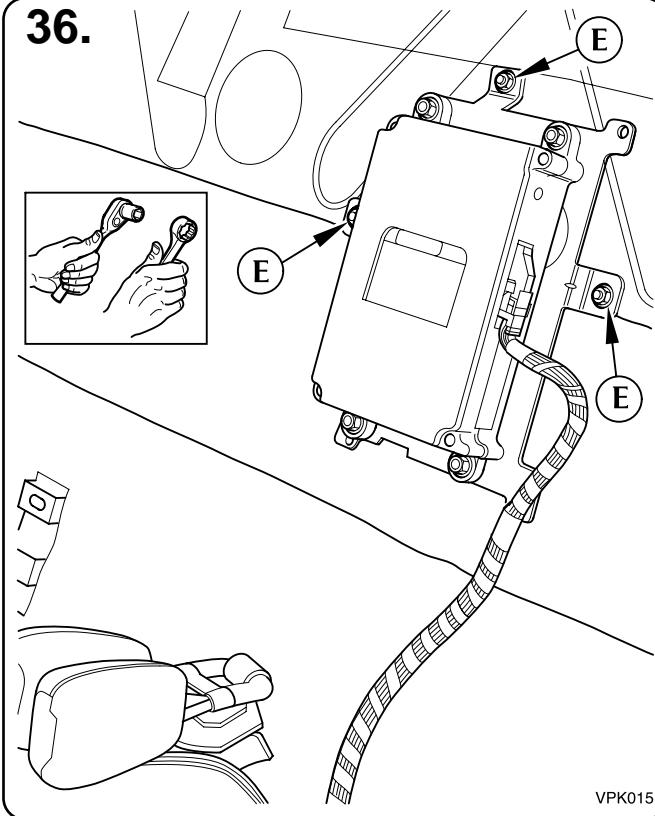


MY 2003 →

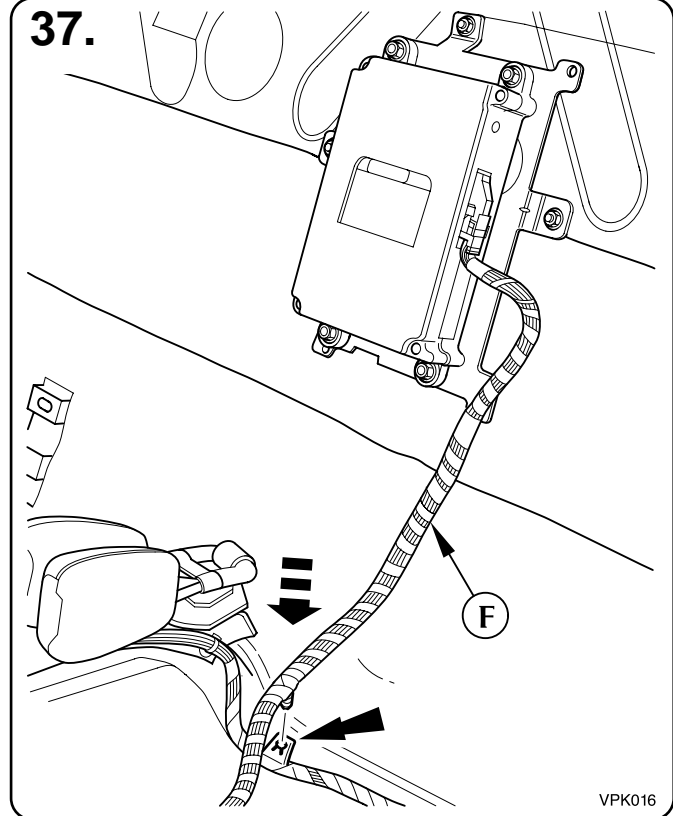
XK

## Bluetooth telephone system

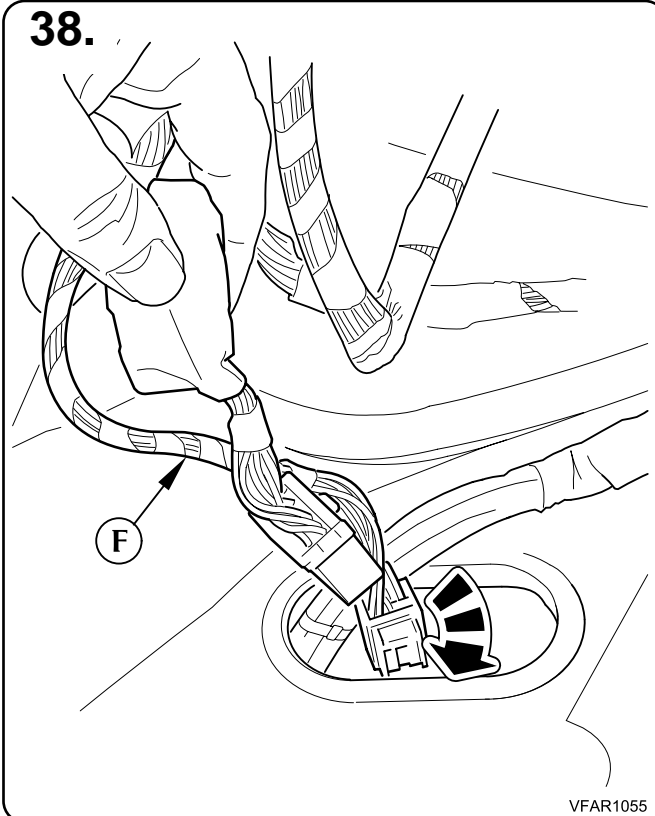
36.



37.



38.

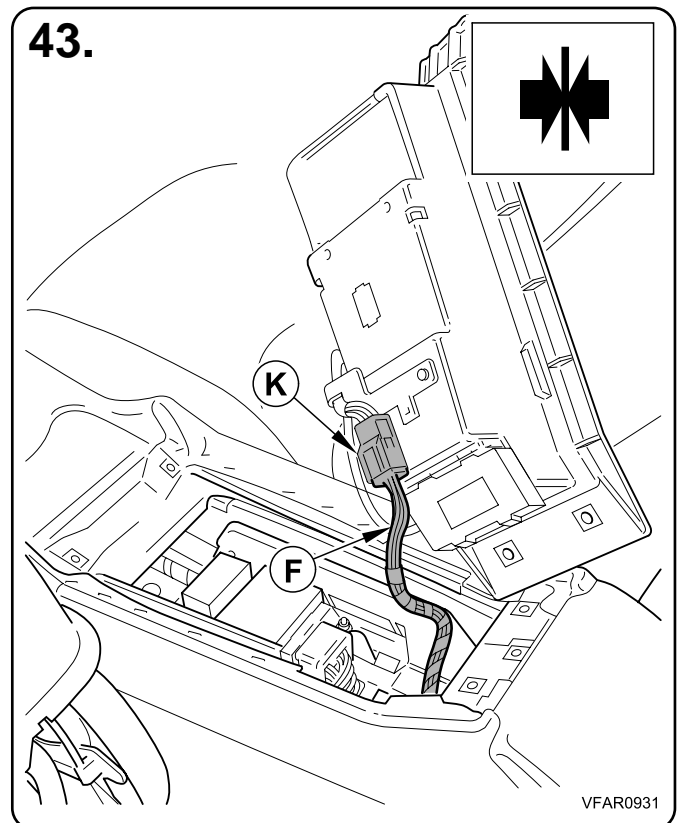
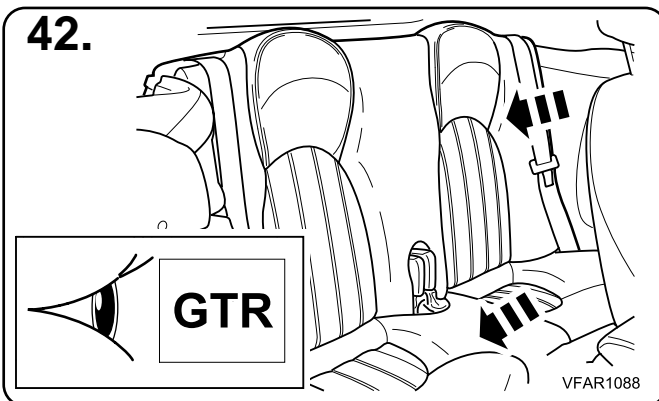
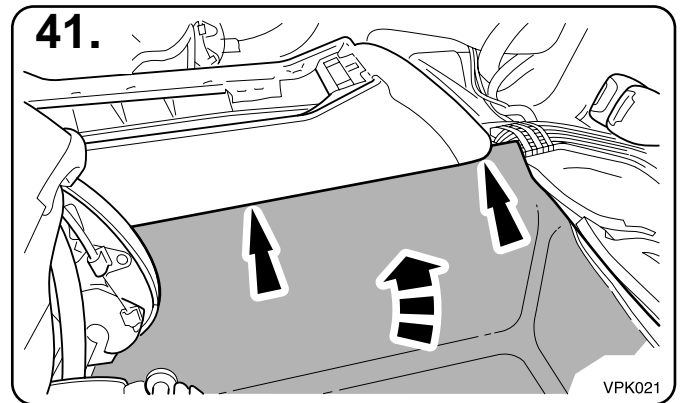
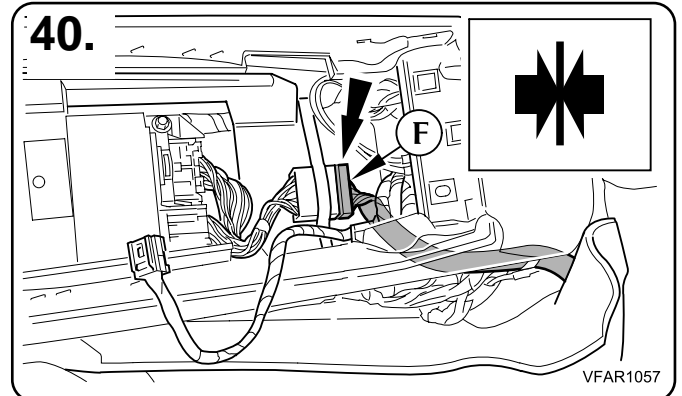
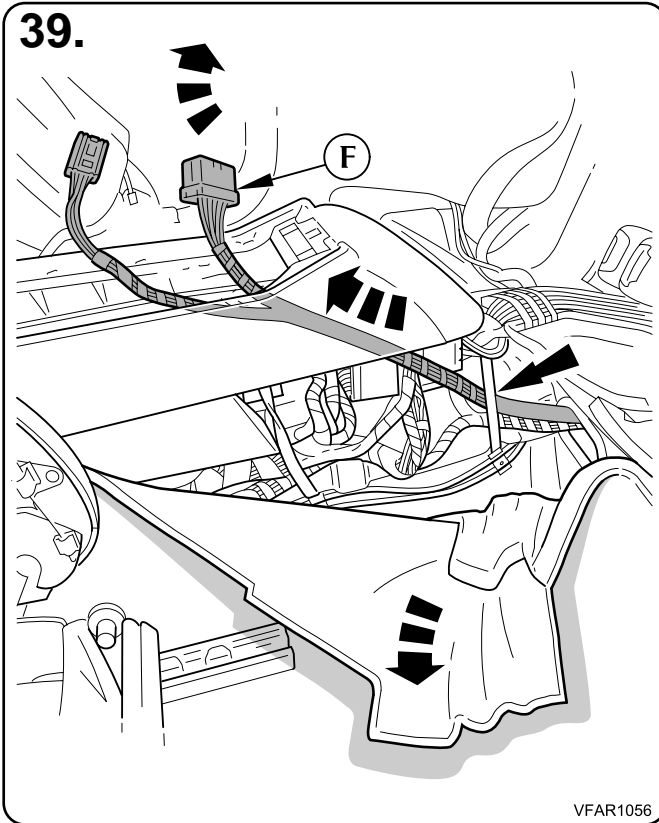


### Notes:

38. Route phone harness along centre tunnel, through aperture into the cubby box area.

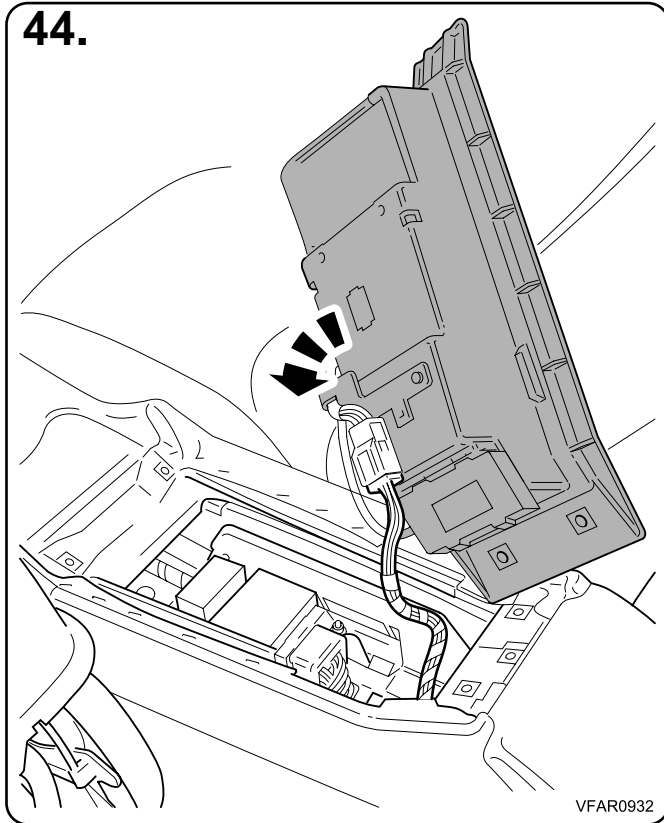
XK

Bluetooth telephone system

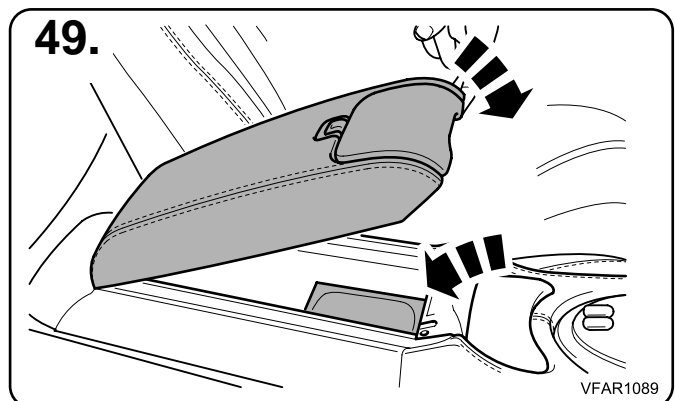
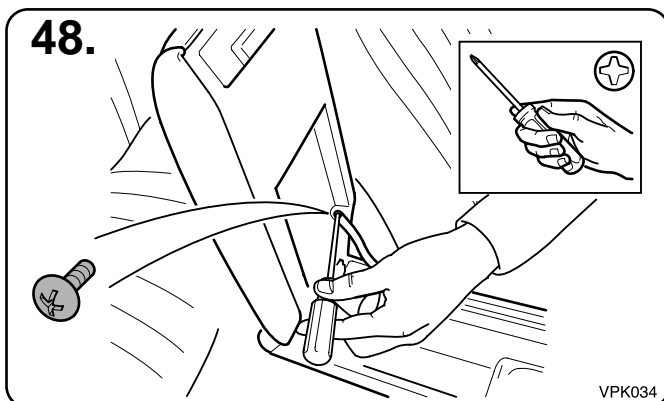
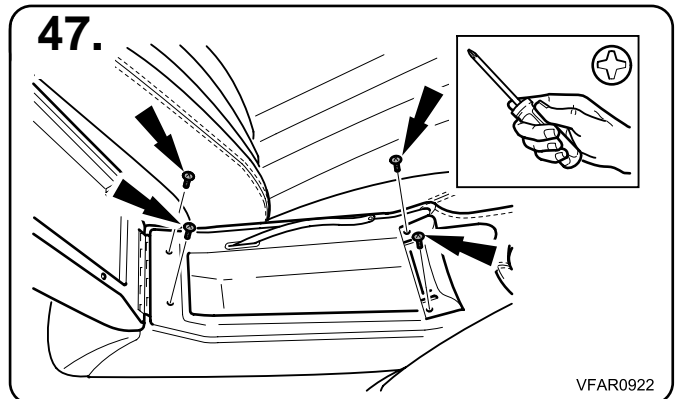
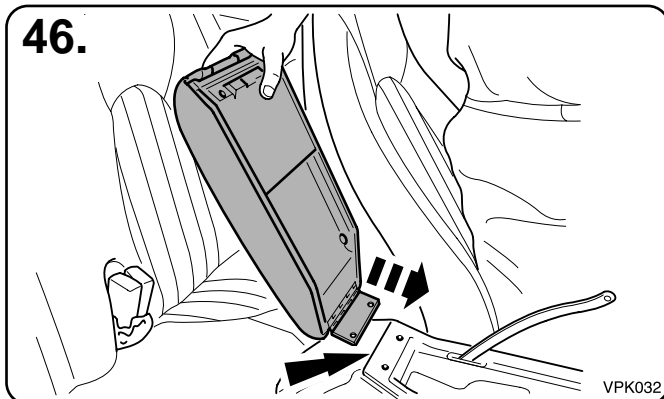
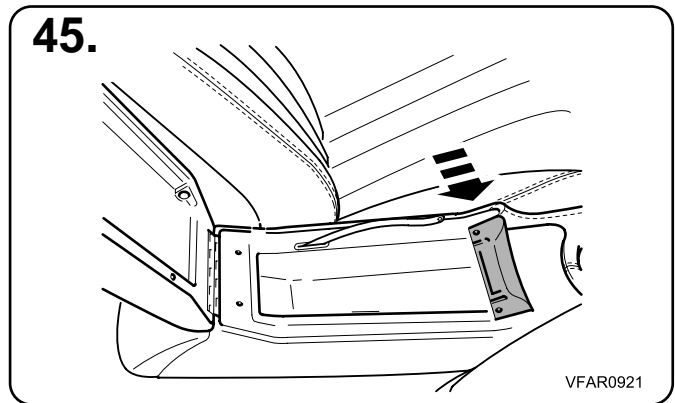


XK

Bluetooth telephone system



Notes:  
 45. If fitted.

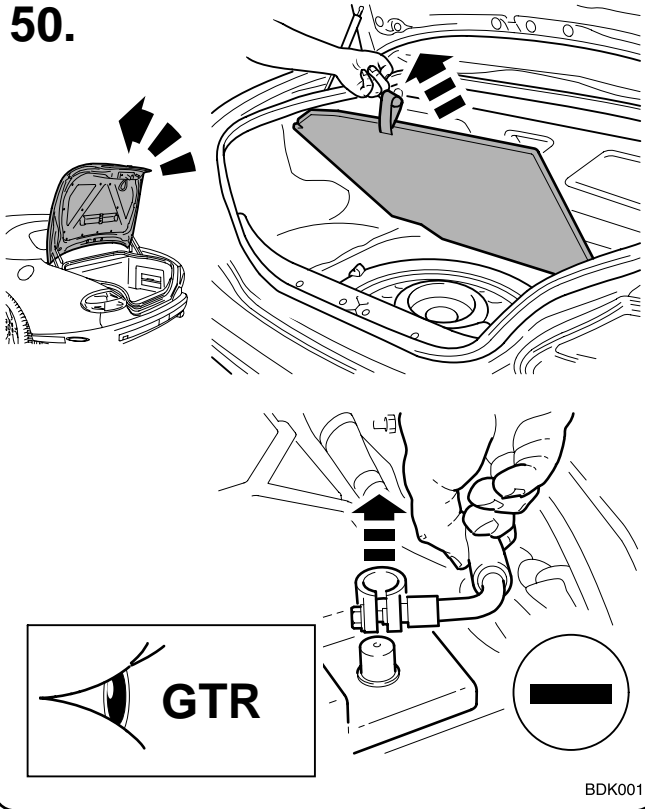




XK

## Bluetooth telephone system

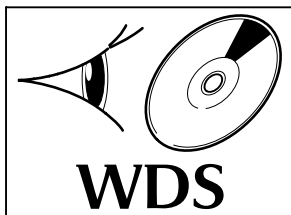
50.



**Notes:**

50. Refer to GTR / Drivers Handbook to ensure correct operations are carried out, relevant to battery disconnect and reconnect.

51.



**Notes:**

51. If a new telephone module has been fitted. Refer to WDS. Dealer options, add and remove accessories.

52.

