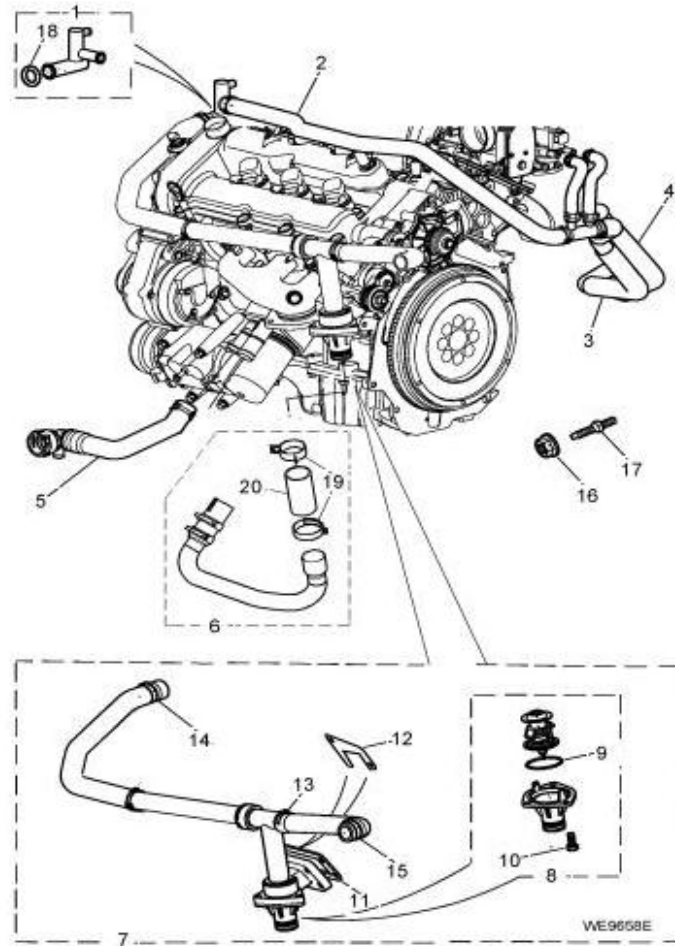


# Jaguar X-Type - Radiator Hoses



No		Description
1	+	Water hose
2	+	Heater tube
3	+	Heater hose
4	+	Heater hose
5	+	Bottom hose
6	+	Oil cooler outlet hose
7	+	Radiator top hose
8	+	.Thermostat
9	+	..Seal
10	+	..Bolt
11	+	.Thermostat seal
12	+	.Reinforcement plate
13	+	.Hose clamp
14	+	.Hose clamp
15	+	.Hose clamp
16	+	Nut
17	+	Stud