

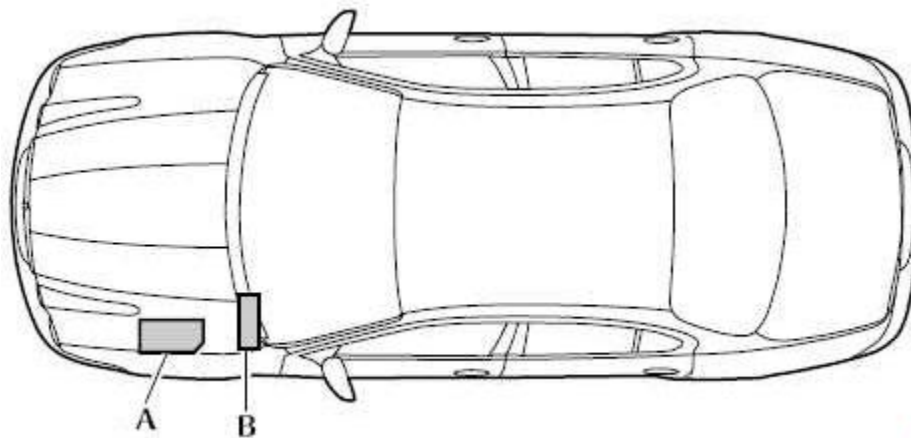
Jaguar X-Type Fuse Box Diagram

SEE:

**https://www.youtube.com/watch?v=Ay_TkrwLRHM
for 2004-2009 X-Type**

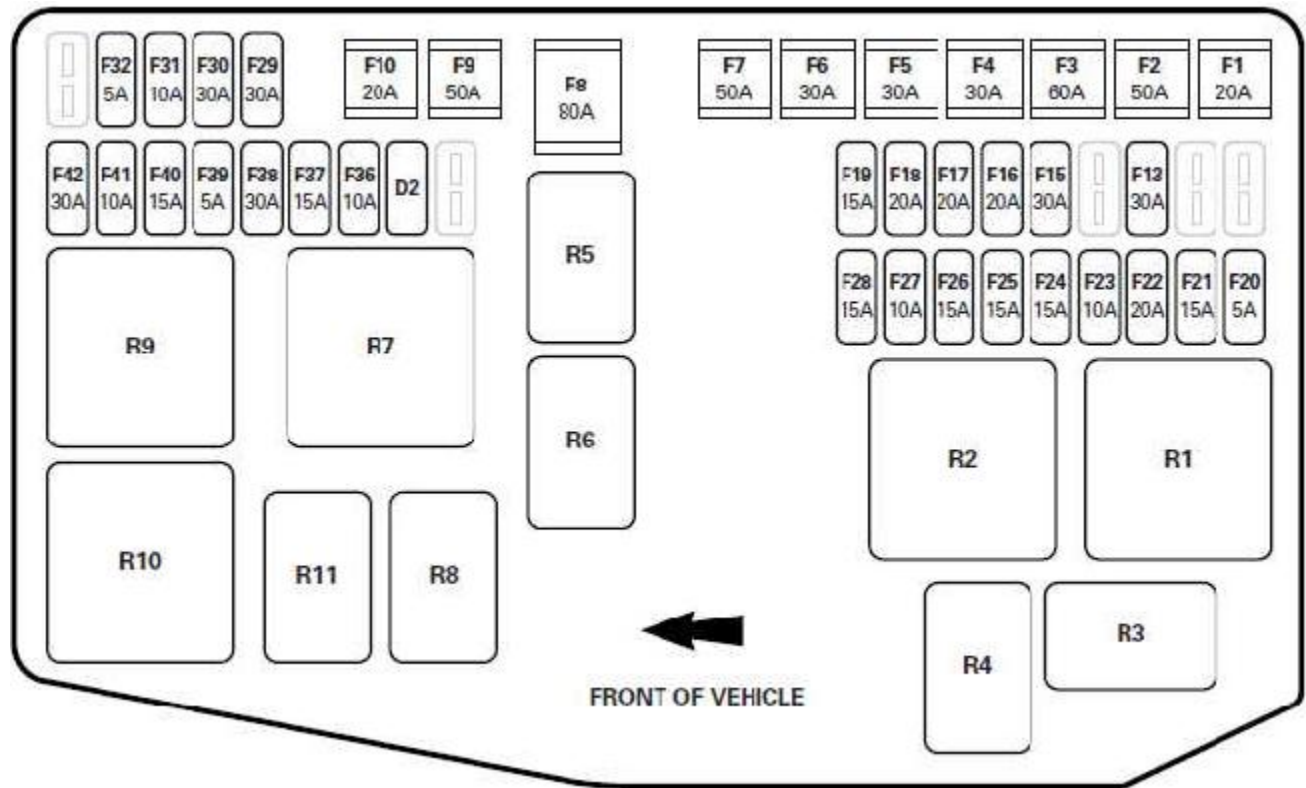
**<https://www.youtube.com/watch?v=Dw4PyzDhCIQ>
for 2001-2003 X-Type**

Fuse box locations



- A. The engine compartment ([2001-2003](#) / [2004-2009](#))
- B. The passenger compartment ([2001-2003](#) / [2004-2009](#))

Engine compartment fuse box (2001-2003)

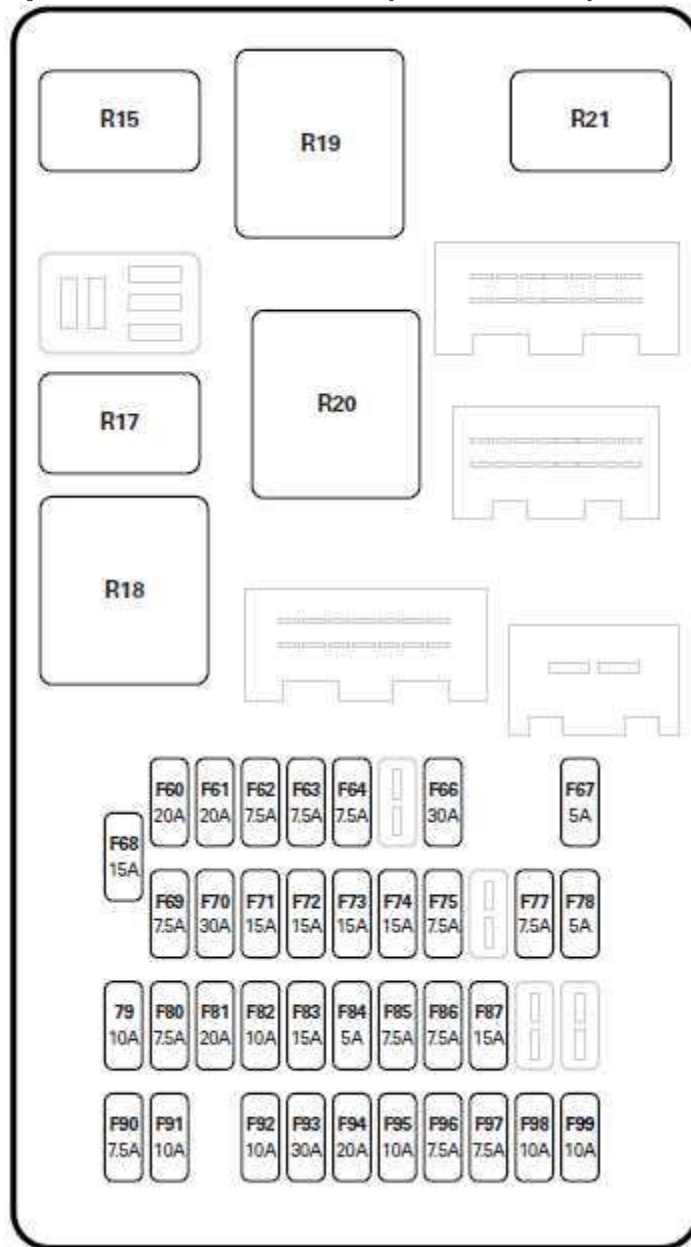


No.	A	Circuit
F1	20	Dip beam, High Intensity Discharge(HID) light relay
F2	50	Ignition relay feed
F3	60	ABS
F4	30	Rear window heater relay, heated mirrors
F5	30	Auxiliary vacuum pump, transmission control module
F6	30	Heater blower relay
F7	50	Power supply to passenger compartment fuse box
F8	80	Fan module
F9	50	Engine management system power relay, headlight power wash
F10	20	Headlight power wash relay
F11	-	Not used
F12	-	Not used
F13	30	Heated front screen right-hand side
F14	-	Not used
F15	30	Heated front screen left-hand side

F16	20	Left-hand dip beam, day time running lights (DTRL), autolights
F17	20	Right-hand dip beam, HID lights
F18	20	Throttle motor supply (2.5L and 3.0L), fuel pump (2.0L)
F19	15	2002-2003: Screenwash pump, rain sensing system
F20	5	Navigation display
F21	15	Side (Parking) lights
F22	20	Accessory relay
F23	10	Air conditioning compressor clutch relay
F24	15	Door lock power
F25	15	Direction indicators (GEM)
F26	15	Horns relay
F27	10	Transmission control module, transit relay
F28	30	2001-2002: Ignition switch
	15	2002-2003: Ignition switch
F29	30	Starter motor
F30	30	Accessory sockets
F31	10	Engine management relay coil
F32	5	Engine management control
F33	20	2001: Throttle motor relay
F34	-	Not used
F35	-	Diode EMS relay
F36	10	Canister purge valve, canister close valve, airflow meter, throttle motor relay, power wash relay coil, air conditioning relay coil, cruise control module
F37	15	Engine management system, fan speed controller, speed controller
F38	30	Oxygen sensor heaters
F39	5	Variable intake valves
F40	15	2002-2003: Automatic transmission control module
F41	10	Injectors
F42	30	Oxygen sensor heaters B
Relay		
R1	40	Windscreen wipers
R2	70	Heated front windscreen
R3	20	Horn
R4	20	Accessories
R5	20	Headlight powerwash
R6	20	Air conditioning compressor clutch
R7	70	Engine management system

R8	20	Transmission control module
R9	40	Dip beam/HID
R10	40	Starter motor
R11	20	Throttle motor (2.5/3.0L), fuel pump (2.0L)

Passenger compartment fuse box (2001-2003)

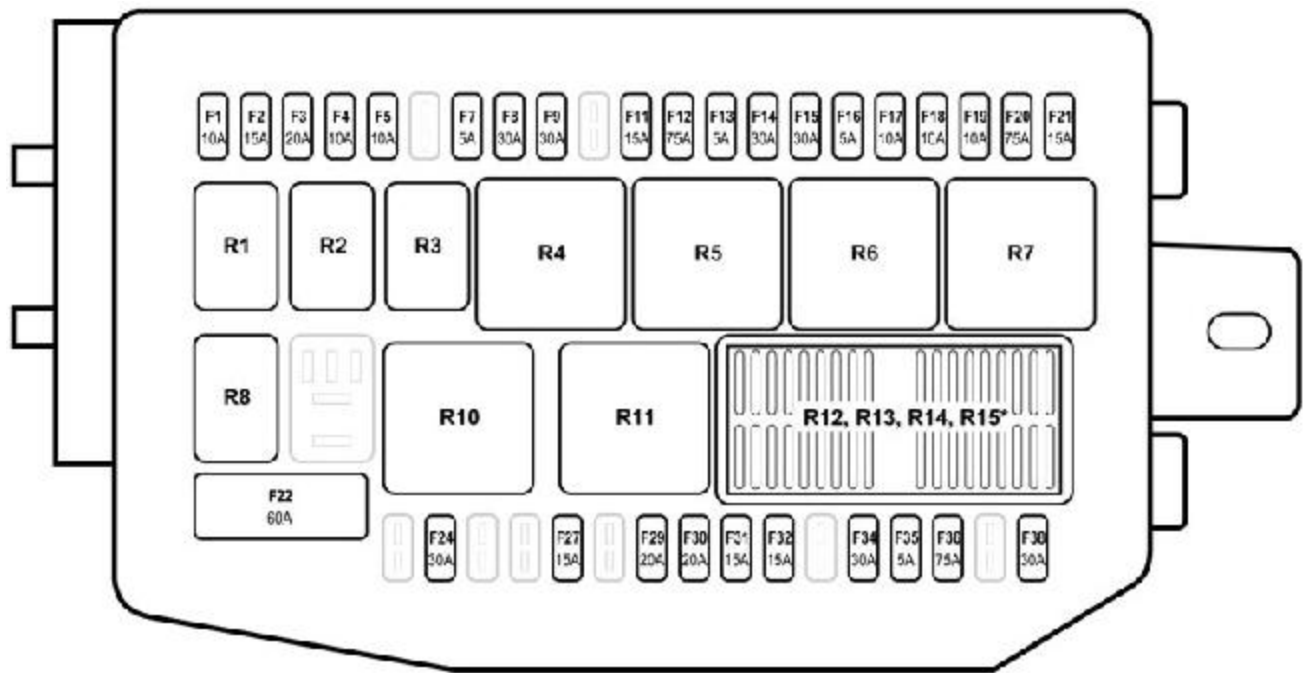


No.	A	Circuit
F60	20	Power windows left-hand

F61	20	Power windows right-hand
F62	10	2001: Rear fog lights
	7.5	2002-2003: Rear fog lights
F63	10	2001: Right-hand- front side light, side markers, rear tail lights
	7.5	2002-2003: Right-hand- front side light, side markers, rear tail lights
F64	10	2001: Left-hand - front side light, side markers, rear tail lights
	7.5	2002-2003: Left-hand - front side light, side markers, rear tail lights
F65	-	Not used
F66	30	Left-hand power seat switches, heater module, lumbar pump (2002-2003)
F67	5	Battery back-up sounder, transit relay, HID/dip relay, auxiliary vacuum pump control, automatic transmission control module (2002-2003)
F68	15	Cigar lighter
F69	10	Telematics display (2002-2003), In-car entertainment head unit, antenna module, navigation module, VICS (Japan), tuner (2001), voice module (2001-2002), parking aid, amplifier premium 1 system, phone handset, phone power supply module, instrument cluster, PATS module.
F70	30	Right-hand power seat switches, heater module, lumbar pump (2002-2003)
F71	15	VICS (Japan), voice module, telephone transceiver, telephone handset
F72	15	Radio head unit, CD player, navigation electronic control module, Jaguardiagnosticconnector/OBD2 connector
F73	15	Sunroof unit/module
F74	15	Instrument cluster, Premium ICE amplifier unit
F75	10	2001: Mirror fold-back module, battery back-up sounder, air conditioning ECU
	7.5	2002-2003: Mirror fold-back module, battery back-up sounder, air conditioning ECU
F76	-	Not used
F77	10	2001: Screenwash pump, rain sense
	7.5	2002-2003: Left-hand and right-hand heated seats modules
F78	5	Phone power supply, Jaguar Telematics (2001-2002)
F79	10	Reverse lights, reverse light switch, reverse park aid, electrochromic mirror, instrument cluster
F80	10	2001: Park interlock, heater switch, OBD2, blower relay
	7.5	2002-2003: Park interlock, heater switch, OBD2, blower relay
F81	20	Fuel pump control module (2.5/3.0L), fuel pump relay (2.0L)
F82	20	2001: Manual transmission reverse lights, variable power steering, alternator, TCM
	10	2002-2003: Variable power steering, alternator. <i>Manual transmission only:</i> (Reverse lights, reverse light switch reverse park aid, electrochromic mirror, instrument cluster)

F83	10	2001: Left-hand and right-hand heated seats modules
F84	5	Instrument cluster, passenger airbag fascia light, seat weight sensor
F85	10	2001: Right-hand high beam light
	7.5	2002-2003: Right-hand high beam light
F86	10	2001: Left-hand high beam light
	7.5	2002-2003: Left-hand high beam light
F87	15	Front fog lights, master light switch
F88	-	Not used
F89	-	Not used
F90	15	2001: Stop lights, cruise control
	7.5	2002-2003: Stop lights, cruise control
F91	10	Sunroof, electrochromic mirror, power windows, power mirrors (2002-2003)
F92	10	Manual transmission cruise control switch, ignition coils, automatic transmission rotary switch
F93	30	Windscreen wipers
F94	20	HID module
F95	10	Airbag restraints module
F96	10	2001: ABS module
	7.5	2002-2003: ABS module
F97	10	2001: Glove compartment light, instrument cluster lights, licence plate lights
	7.5	2002-2003: Glove compartment light, instrument cluster lights, licence plate lights
F98	10	Mirror heaters
F99	10	Luggage compartment light, footwell lights, puddle lights, vanity mirror lights, interior lights, aircon control unit, roof console unit.
Relay		
R15	20	High beam/front fog lights relay
R16	20	Not used
R17	20	Reverse lights
R18	70	Ignition relay
R19	40	Heated rear window relay
R20	40	Blower relay
R21	20	Battery saver relay

Engine compartment fuse box (2004-2009)

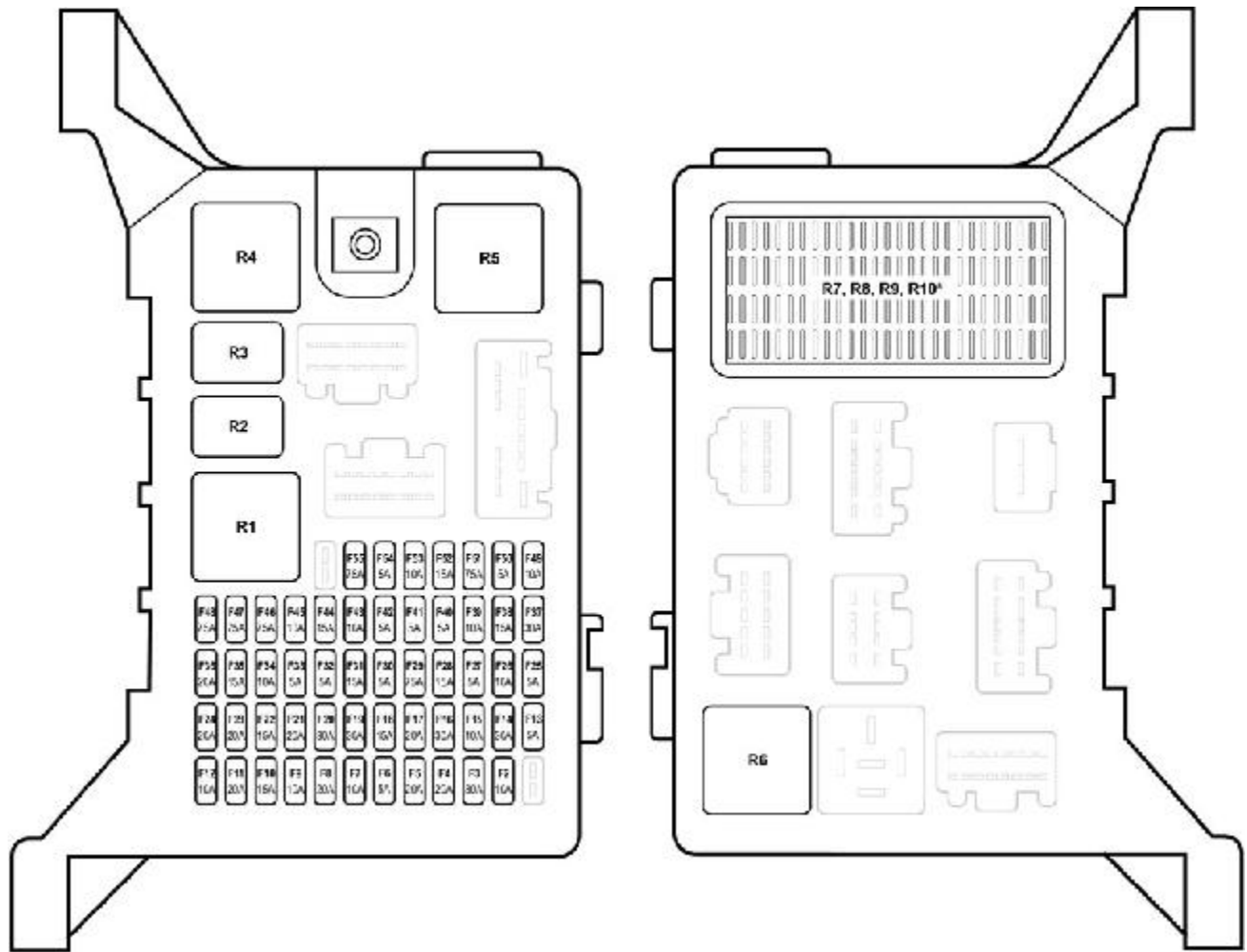


No.	A	Circuit
F1	10	Right-hand main beam
F2	15	Front fog lights, master light switch
F3	20	Horns (diesel only)
F4	10	Left-hand main beam
F5	10	Air conditioning compressor clutch
F6	7.5	Alternator (petrol only)
F7	5	Fuel-fired heater relay coil (diesel only)
F8	30	Wiper switch
F9	30	Wiper switch, windscreen washer pump, wiper motor
F10	15	Ignition coils (petrol only)

F11	15	Automatic transmission control module
F12	7.5	Supplementary heater relay coil (diesel only)
F13	5	Traction control system (2004-2007), Anti-lock Braking System (ABS), Dynamic Stability Control (DSC) system
F14	30	Heated front screen left-hand side
F15	30	Heated front screen right-hand side
F16	5	Radiator fans speed control
F17	10	Fuel injectors (petrol only) Exhaust gas recirculation, variable geometry turbocharger control (diesel only)
F18	10	Canister purge valve, airflow meter, inlet manifold tuning valve, canister close valve, vacuum module (petrol only). Cruise control module (2.0L petrol only) Glowplug relay coil (diesel only)
F19	10	Engine control module (petrol only) Throttle motor relay (2.5L and 3.0L) Fuel pump relay (2.0L petrol)
F20	30	Oxygen sensor heaters B (petrol only)
	7.5	Inlet manifold valve
F21	30	Oxygen sensor heaters A (petrol only)
	15	Airflow meter, engine control module (diesel only)
F22	60	Glowplugs (diesel only)
F23	-	Not used
F24	30	Power wash pump
F25	-	Not used
F26	-	Not used
F27	15	Transit relay, vacuum module, battery backed sounder
F28	-	Not used
F29	20	Left-hand dip beam, master light switch (autolights), head light levelling, instrument cluster
	10	Left-hand dip beam, master lamp switch (autolamps), headlamp levelling, instrument cluster (for diesel models that are not fitted with HID headlamps)
F30	20	Right-hand dipped beam
	10	Right-hand dipped beam (for diesel models that are not fitted with HID headlamps)
F31	15	Fuel-fired heater (diesel only)
F32	15	Automatic transmission control module
F33	-	Not used
F34	30	Starter motor solenoid
F35	5	Ignition relay coil

F36	5	Engine control module (petrol only)
	7.5	Engine control module, Battery sense to alternator (diesel only)
F37	-	Not used
F38	20	Horns (petrol only)
	30	Auxiliary heater (diesel only)
Relay		
R1	Main Beam / Front Fog Relay	
R2	Horn Relay	
R3	A/C Compressor Clutch Relay	
R4	Windshield Wiper Motor Relay	
R5	Power Distribution Fuse Box Ignition Relay	
R6	Windshield Heater Relay	
R7	EMS Control Relay	
R8	Powerwash Pump Relay	
R9	Not Used	
R10	Glow Plug Relay	
R11	Dip Beam Relay	
R12	Starter Relay (<i>Non-Serviceable PCB Relays</i>)	
R13	Slave Ignition Relay (<i>Non-Serviceable PCB Relays</i>)	
R14	Not Used (<i>Non-Serviceable PCB Relays</i>)	
R15	Auxiliary Heater Relay 1 (<i>Non-Serviceable PCB Relays</i>)	

Passenger compartment fuse box (2004-2009)



No.	A	Circuit
F1	-	Not used
F2	10	Instrument panel, electrochromic mirror, reverse light switch, reverse lights
F3	30	Passenger seat adjustment motors
F4	20	Accessory connectors
F5	20	<i>Estate:</i> Rear wiper
F6	-	Not used
F7	10	On board diagnostics, heated front seat modules, rain sensing system, JaguarVoice
F8	20	Heated front seat modules
F9	10	Driver's seat memory function
F10	15	Sunroof module, SRX antenna

F11	20	Left-hand (front and rear) electric window motors
F12	10	VICS (Japan), JaguarVoice
F13	-	Not used
F14	30	Heated rear screen
F15	10	Heated door mirrors
F16	30	Driver's seat adjustment motors
F17	20	Fuel pump driver module and relay
F18	15	<i>Estate:</i> Rear accessory socket
F19	30	Tow-bar module, rear accessory socket (Estate only)
F20	30	Premium ICE amplifier unit
F21	20	Right-hand (front and rear) electric window motors
F22	15	Door lock module
F23	20	<i>Estate:</i> Rear screenwash pump
F24	20	Screenwash pump
F25	5	On board diagnostics
F26	10	Manual transmission cruise control clutch switch, rotary switch
F27	5	Touch-screen
F28	15	Front and rear accessory sockets
F29	7.5	Rear fog lights
F30	5	In-car telephone, PSE
F31	15	Ignition switch
F32	5	On board diagnostics
F33	5	Park aid
F34	10	Reverse switch
F35	15	Direction power module
F36	20	Throttle motor relay (2.5L and 3.0L). Fuel pump (2.0L petrol only)
F37	30	Climate control blower motor
F38	15	Exterior light switch
F39	10	HID module, air conditioning ECU, blower motor relay coil
F40	5	Sunroof module, electrochromic mirror, power window motors and switches
F41	5	Passenger airbag light, passenger seat weight sensor
F42	5	Power steering module
F43	10	Instrument panel, telematics display, ICE head unit, antenna module, VICS (Japan), navigation system, park aid, JaguarVoice, In-car telephone, accessory relay coil
F44	15	Navigation system ECU, CD player, ICE head unit
F45	10	Air conditioning ECU

F46	7.5	Power fold back door mirrors
F47	7.5	Left-hand side (parking) lights
F48	7.5	Right-hand side (parking) lights
F49	10	Air conditioning ECU, interior courtesy lights, roof console, in-car sensor
F50	5	Automatic transmission control module
F51	7.5	Manual transmission cruise control clutch switch, brake switch
F52	15	Cigar lighter
F53	10	Airbag module ignition supply
F54	5	Instrument panel ignition supply
F55	5	Number plate lights, glove compartment light, Instrument panel
F56	-	Not used
Relay		
R1		Fold-back Mirror Module
R2		Accessory Relay
R3		<i>Estate:</i> Rear Wiper Motor Relay
R4		Blower Motor Relay
R5		Passenger Junction Fuse Box Ignition Relay
R6		Heated Rear Window Relay
R7		Throttle Motor Relay (2.5 L, 3.0 L) <i>(Non-Serviceable PCB Relays)</i> Fuel Pump Relay (2.0 L) <i>(Non-Serviceable PCB Relays)</i>
R8		Not Used <i>(Non-Serviceable PCB Relays)</i>
R9		Reverse Lamps Relay <i>(Non-Serviceable PCB Relays)</i>
R10		Battery Saver Relay <i>(Non-Serviceable PCB Relays)</i>

Print

JAGUAR X-TYPE



2001 to 2011 (Y to 60 reg) Petrol & Diesel

Owners Workshop Manual

step-by-step maintenance and repair



The best selling car manuals in the world