

# JAGUAR X-TYPE 2002-05

## JAGUAR X-TYPE 2002-05

### SECTION INDEX

A/C /HEATER/VENTILATION.....	666
A/C REFRIGERANT CAPACITIES.....	666
ABS/BRAKES.....	668
AIR BAG SYSTEM.....	668
AIR CLEANER.....	670
BACK WINDOW.....	684
BODY ASSY.....	667
CENTER CONSOLE.....	673
CLEAR COAT IDENTIFICATION.....	664
COOLING.....	666
COWL & DASH.....	672
ELECTRICAL.....	671
EMISSION SYSTEM.....	671
ENGINE OIL COOLER.....	666
ENGINE/TRANS.....	670
ENGINE/TRANS MOUNTS.....	670
EXHAUST.....	670
FRONT BUMPER.....	664
FRONT DOOR.....	681
FRONT DRIVE AXLE.....	669
FRONT FENDER.....	667
FRONT INNER STRUCTURE.....	667
FRONT LAMPS.....	665
FRONT SEAT.....	674
FRONT STEERING LINKAGE/GEAR.....	669
FRONT SUSPENSION.....	669
FUEL TANK.....	687
GRILLE.....	664
HOOD.....	665
INFORMATION LABELS.....	664
INSTRUMENT PANEL.....	672
LIFTGATE.....	686
LUGGAGE LID.....	686
PAINT CODE LOCATION.....	664
QUARTER GLASS.....	685
QUARTER PANEL.....	684
REAR BODY.....	688
REAR BUMPER.....	689
REAR DOOR.....	682
REAR DRIVE AXLE.....	687
REAR LAMPS.....	688
REAR SEAT.....	676
REAR SUSPENSION.....	687
ROCKER/PILLARS/FLOOR.....	674
ROOF.....	683
SEAT BELTS.....	680
SPECIAL CAUTIONS.....	664
STEERING PUMP.....	669
STEERING WHEEL/COLUMN.....	669
SUNROOF.....	684
TRANS OIL COOLER.....	666
UNDERHOOD DIMENSIONS.....	667
WHEEL.....	668
WINDSHIELD.....	672

### SPECIAL CAUTIONS

#### SUPPLEMENTAL RESTRAINT SYSTEM

Refer to Procedure Explanation 29 for Supplemental Restraint/Air Bag Special Cautions.

#### ELECTRICAL COMPONENTS

Ignition must be in off position before any electrical repair is performed.

#### SUSPENSION

Manufacturer advises that some new fasteners must be used whenever old fasteners are loosened or removed.

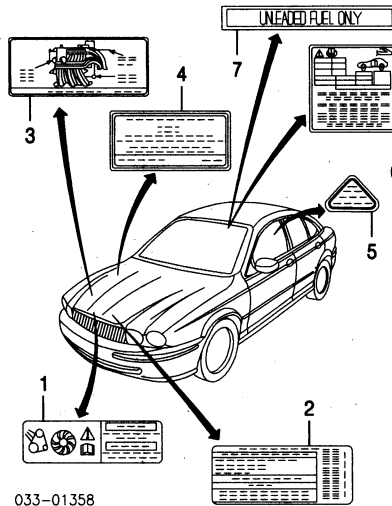
#### PAINT CODE LOCATION

Paint code located on left front door jamb.

#### CLEAR COAT IDENTIFICATION

All colors are clear coat.

### INFORMATION LABELS



033-01358

1 Label, Fan Caution	XR8047031	1.40
2 Label, Emission <sup>†</sup>	C2S011751	2.60
2.5L Eng		
3.0L Eng		
w/LEV	C2S039727	1.50
w/o LEV	C2S011752	2.60
3 Label, Vacuum Routing <sup>†</sup>	C2S027518	3.70
<sup>†</sup> Order by Application		
4 Label, A/C Warning	C2S009561	1.95
5 Label, Security System	R/L XR8001937	d7.20
6 Label, Tire Information		
To VIN D22152	C2S026915	3.95
From VIN D22153	C2S026915	3.95
7 Label, Fuel	C2S027515	2.25
Label, Warning		
w/Navigation System		
w/HID Lamps	C2C009529	1.95
w/o HID Lamps	XR8034564	6.70
w/o Navigation System	C2S009528	1.95
Label, Refrigerant/Caution	C2S032311	d1.95
Label, Vacuum Routing	C2S027518	3.70

### FRONT BUMPER

Use Procedure Explanations 1 and 28 with the following text.

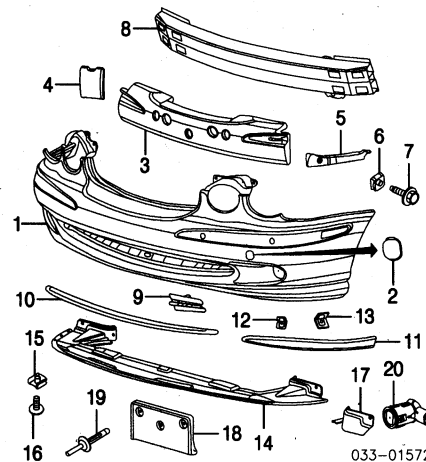
Refinish Front Cover.....	2.6
Refinish Tow Hook Cover.....	.3
Refinish Impact Bar.....	1.0
Refinish Stone Guard.....	.5
Refinish Front Cover Moulding.....	R/L .4
Refinish Parking Aid Sensor.....	.2
R&R Parking Sensors Complete.....	.5
R&I Bumper Assy.....	#1.6
O/H Bumper Assy (Includes R&I).....	#2.5

<sup>†</sup>Includes R&I/R&R Fender Liners

Add to R&I/R&R or O/H Front Bumper

w/ H/Lamp Washers.....	.3
w/Parking Aid.....	.5

**NOTE:** All Parts in this section are included in overhaul unless noted otherwise.



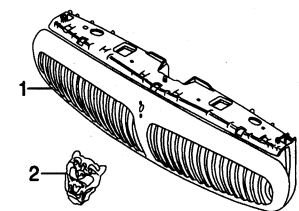
033-01269

1 Cover, Front (P)

w/Tow Hook		
w/Parking Aid		
w/ H/Lamp Washers		
To VIN E17540	C2S027957XXX	#2.5 590.00
From VIN E17541	C2S043385XXX	#2.5 545.00
w/o H/Lamp Washers		
To VIN E17540	C2S027956XXX	#2.5 590.00
From VIN E17541	C2S043384XXX	#2.5 545.00
w/o Parking Aid		
w/ H/Lamp Washers		
To VIN E17540	C2S027955XXX	#2.5 590.00
From VIN E17541	C2S043383XXX	#2.5 545.00
w/o H/Lamp Washers		
To VIN E17540	C2S027954XXX	#2.5 590.00
From VIN E17541	C2S043382XXX	#2.5 545.00
w/o Tow Hook		
w/ H/Lamp Washers		
w/o H/Lamp Washers	C2S025400XXX	#2.5 555.00
	C2S025399XXX	#2.5 555.00
<sup>†</sup> Includes R&I/R&R Fender Liners		
2 Cover, Tow Hook (P)	C2S027556XXX	18.90
<sup>†</sup> (P) Paint to Match		
3 Absorber, Impact		
To VIN D55321	C2S011805	.3 59.25
From VIN D55322	C2S025897	.3 51.45
4 Insert, Impact Absorber		
To VIN D55321	R/L C2S018058	21.55
From VIN D55322	R C2S023015	3.80
	L C2S023756	3.80
5 Bracket, Front Cover	R/L C2S008804-5	22.90
6 Nut, Cover Bracket	R/L XR8002178	3.80
7 Screw, Cover Bracket	R/L XR8002175	1.30
8 Bar, Impact (P)		
To VIN D55321	C2S021761	#1.8 276.50
From VIN D55322	C2S034865	#1.8 210.70
<sup>†</sup> (P) Paint to Match		
<sup>†</sup> #w/Bumper Assy Removed, Not Included in O/H		
9 Insert, Lower Cover	R C2S008806	22.55
	L C2S008602	22.55
10 Guard, Stone		
Black	C2S020488	.3 50.05
Paint to Match	C2S020488	.3 50.05
11 Moulding, Front Cover		
Chrome	R C2S011801	#2 96.60
	L C2S011803	#2 96.60
Paint to Match	R C2S012041XXX	#2 66.10
	L C2S012043XXX	#2 66.10
<sup>†</sup> #w/Bumper Assy Removed		
12 Retainer, Inner Moulding <sup>†</sup>	R/L C2S011341	2.20
<sup>†</sup> As Required		
13 Retainer, Outer Moulding	R/L C2S018812	2.75
14 Panel, Valance		
To VIN E17540	C2S040956	.3 175.50
From VIN E17541	C2S040956	.3 175.50
15 Nut, Valance Panel <sup>†</sup>	C2S011343	.75
16 Screw, Valance Panel <sup>†</sup>	C2S003409	1.40
<sup>†</sup> As Required		
17 Deflector, Wind	R/L C2S009355-6	55.30
18 Bracket, License	C2S003404	.2 44.60
19 Rivet, License Brkt (3)	XR8013185	1.80
20 Sensor, Parking Aid (P) (4)	C2C021644XXX	#3 89.20
<sup>†</sup> (P) Paint to Match		
<sup>†</sup> #R&R Two or More .5		
<b>Harness, Front Wiring<sup>†</sup></b>		
w/Side Marker Lamps		
w/Parking Aid	C2S026022	# 36.40
w/o Parking Aid	C2S042924	# 91.55
w/o Side Marker Lamps		
w/Parking Aid	C2S042925	# 98.45
w/o Parking Aid	C2S042923	# 77.30
<sup>†</sup> Order by Application		
<sup>†</sup> Not Included in O/H		

### GRILLE

Refinish Grille.....	1.0
R&I Grille.....	.4



033-01269

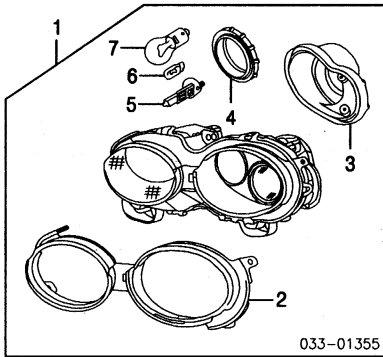
1 Grille, Radiator		
Black (P)		
Painted Center	C2S028247XXX	.4 515.00
Chrome	C2S038387	.4 177.55
Chrome Trim		
To VIN D96540	C2S038388	.4 196.45
From VIN D96541 to VIN E30458	C2S038388	.4 196.45
From VIN E30459	C2S038388	.4 196.45
Paint to Match		
To VIN C50259	C2S008715XXX	.4 126.40
From VIN C50260 to VIN D55321	C2S019432XXX	.4 131.80
From VIN D55322 to VIN E30458	C2S035726XXX	.4 186.20
From VIN E30459	C2S038384XXX	.4 186.20
<sup>†</sup> (P) Paint to Match		
2 Emblem, Grille (Adhesive)	C2S008839	.2 18.95

## FRONT LAMPS

### COMBINATION LAMP HALOGEN

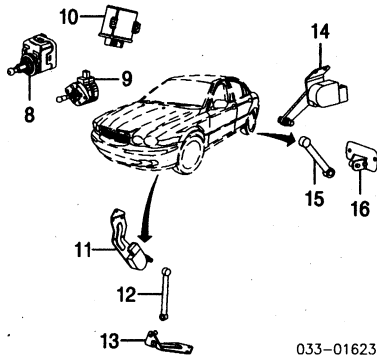
Aim Lamps ..... 4  
 R&I Combination Lamp Assy ..... R/L #3  
*#w/Bumper Assy Removed*

NOTE: R&R Does Not include aim lamps.



033-01355

<b>1 Lamp Assy, Combination w/ H/Lamp Washers To VIN E23576</b>	R C2S036895	#5	309.00
	L C2S036907	#5	309.00
From VIN E23577	R C2S036895	#5	309.00
	L C2S036907	#5	309.00
<b>w/o H/Lamp Washers To VIN E23576</b>	R C2S036888	#3	309.00
	L C2S036900	#3	309.00
From VIN E23577	R C2S036888	#3	309.00
	L C2S036900	#3	309.00
<i>#w/Bumper Assy Removed</i>			
<b>2 Bezel, Combination Lamp</b>	R C2S015078		28.65
	L C2S015081		28.65
<b>3 Cap, Outer Rear Lamp</b>	R C2S015086		11.40
	L C2S015082		12.50
<b>4 Cap, Inner Rear Lamp</b>	R/L C2S015085		13.60
<b>5 Bulb, Headlamp (2/Side)</b>	R/L XR8051816	#2	9.25
<b>6 Bulb, Marker</b>	R/L XR8006880	#2	1.15
<b>7 Bulb, Signal</b>	R/L C2S015076-5	#2	10.55
<i>Included w/Combination Lamp Assy #R&amp;R One Side Complete</i>			



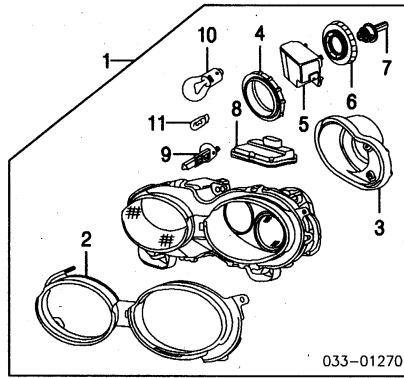
033-01623

<b>8 Motor, Headlamp</b>	R/L C2S015088	#3	86.60
<b>9 Motor, Adjuster</b>	R/L C2S015089		86.60
<b>10 Module, Adjuster To VIN C59999</b>	C2P002638	#2	138.65
From VIN C60000	C2P002638	#2	138.65
<i>#w/Combination Lamp Assy Removed</i>			
<b>11 Sensor, Front Level</b>	C2S019775		121.80
<b>12 Link, Front Sensor</b>	C2S004087		86.50
<b>13 Bracket, Front Sensor</b>	C2S005735		21.90
<b>14 Sensor, Rear Level</b>	C2S005736		112.55
<b>15 Link, Rear Sensor</b>	C2S004088		86.50
<b>16 Bracket, Rear Sensor</b>	C2S005737		21.90

### COMBINATION LAMP HID

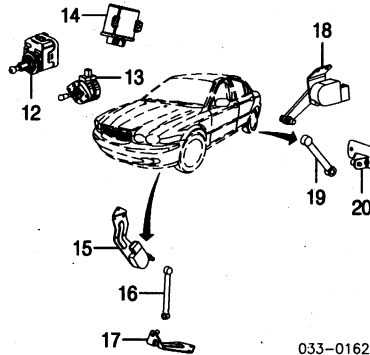
Aim Lamps ..... 4  
 R&I Combination Lamp Assy ..... R/L #3  
*#w/Bumper Assy Removed*

NOTE: R&R Does Not include aim lamps.



033-01270

<b>1 Lamp Assy, Combination w/ H/Lamp Washers To VIN E23576</b>	R C2S036892	#5	745.00
	L C2S036904	#5	745.00
From VIN E23577	R C2S036892	#5	745.00
	L C2S036904	#5	745.00
<b>w/o H/Lamp Washers</b>	R C2S036897	#3	745.00
	L C2S036909	#3	745.00
<i>#w/Bumper Assy Removed</i>			
<b>2 Bezel, Combination Lamp</b>	R C2S015078		28.65
	L C2S015081		28.65
<b>3 Cap, Outer Rear Lamp</b>	R C2S015087		12.50
	L C2S015083		12.50
<b>4 Cap, Inner Rear Lamp</b>	R/L C2S015085		13.60
<b>5 Igniter, HID Bulb</b>	R/L C2S015080		93.65
<b>6 Retainer, Bulb</b>	R/L C2S015084		23.55
<b>7 Bulb, Low Beam</b>	R/L C2S015072	#2	173.15
<b>8 Module, Power</b>	R/L C2S015079		246.75
<b>9 Bulb, High Beam</b>	R/L C2S015071	#2	11.80
<b>10 Bulb, Signal</b>	R/L C2S015076-5	#2	10.55
<b>11 Bulb, Marker</b>	R/L XR8006880	#2	1.15
<i>Included w/Combination Lamp Assy #R&amp;R One Side Complete</i>			

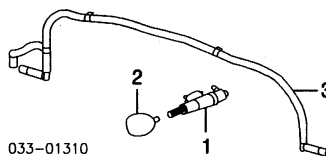


033-01624

<b>12 Motor, Headlamp</b>	R/L C2S015088	#3	86.60
<b>13 Motor, Adjuster</b>	R/L C2S015089		86.60
<b>14 Module, Adjuster To VIN C01948</b>	C2P002638	#2	138.65
From VIN C01949 to VIN C59999	C2P002638	#2	138.65
From VIN C60000 to VIN D27248	C2P002638	#2	138.65
From VIN D27249	C2P002638	#2	138.65
<i>#w/Combination Lamp Assy Removed</i>			
<b>15 Sensor, Front Level</b>	C2S019775		121.80
<b>16 Link, Front Sensor</b>	C2S004087		86.50
<b>17 Bracket, Front Sensor</b>	C2S005735		21.90
<b>18 Sensor, Rear Level</b>	C2S005736		112.55
<b>19 Link, Rear Sensor</b>	C2S004088		86.50
<b>20 Bracket, Rear Sensor</b>	C2S005735		21.90

### HEADLAMP WASHER

Refinish Headlamp Washer Nozzle ..... R/L .2



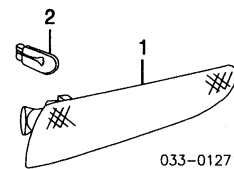
033-01310

<b>1 Jet, Headlamp Washer</b>	R/L C2S024966	#2	64.60
<i>#w/Combination Lamp Removed, Included in R&amp;R Combination Lamp</i>			
<b>2 Nozzle, Headlamp Washer</b>			
British Racing Green	R C2S030311XXX		49.75
	L C2S030310XXX		49.75
Carnival	R C2S029028CGG		71.55
	L C2S030310XXX		49.75

Jaguar Racing Green	R C2S030311XXX		49.75
	L C2S030310XXX		49.75
Pacific Blue	R C2S030311XXX		49.75
	L C2S030310XXX		49.75
Phoenix Red	R C2S030311XXX		49.75
	L C2S030310XXX		49.75
Platinum	R C2S030311XXX		49.75
	L C2S030310XXX		49.75
Quartz	R C2S030311XXX		49.75
	L C2S030310XXX		49.75
Radiance	R C2S029028CHB		71.55
	L C2S029027CHB		71.55
Rioja	R C2S029028CHA		71.55
	L C2S029027CHA		71.55
Solid Black	R C2S030311XXX		49.75
	L C2S030310XXX		49.75
Topaz	R C2S030311XXX		49.75
	L C2S030310XXX		49.75
Ultraviolet	R C2S029028JFF		71.55
	L C2S029027JFF		71.55
White Onyx	R C2S030311XXX		49.75
	L C2S030310XXX		49.75
Zircon	R C2S030311XXX		49.75
	L C2S029027JHV		71.55
Paint to Match	R C2S030311XXX		49.75
	L C2S030310XXX		49.75
<b>3 Hose, Headlamp Washer</b>	C2S023654	.6	34.85

### SIDE MARKER LAMP

R&I Side Marker Lamp ..... R/L #2  
*#Included in R&R or O/H Front Bumper*



033-01271

<b>1 Lamp, Side Marker</b>	R/L C2S001742-3	#2	27.45
<i>#Included in R&amp;R or O/H Front Bumper</i>			
<b>2 Bulb, Side Marker</b>	R/L C2S015074	.2	.75

### SIDE REPEATER LAMP

R&I Side Repeater Lamp ..... R/L #2  
*#w/Fender Liner Removed, Included in R&R Fender*

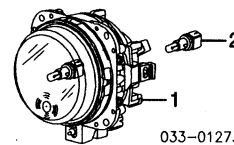


033-01272

<b>1 Lamp, Side Repeater</b>	R/L C2S003045-6	#2	41.30
<i>#w/Fender Liner Removed, Included in R&amp;R Fender</i>			
<b>2 Bulb, Repeater Lamp</b>	R/L C2S015074	.2	.75

### FOG LAMP

R&I Fog Lamp ..... R/L #3  
*#Included in R&R or O/H Front Bumper*



033-01273

<b>1 Lamp, Fog</b>	R/L C2S001740	#3	110.40
<i>#Included in R&amp;R or O/H Front Bumper</i>			
<b>2 Bulb, Fog Lamp</b>	R/L XR8051816		9.25

### HOOD

Use Procedure Explanations 4 and 28 with the following text.

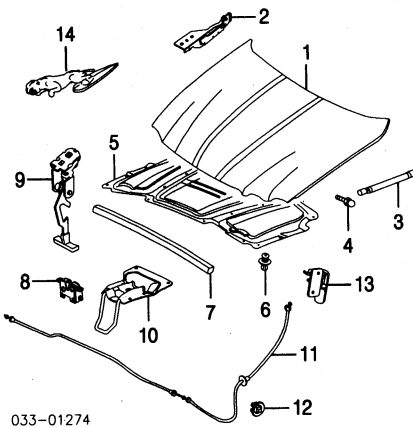
Refinish Hood Outside .....	2.8
Add for Underside .....	1.4
Refinish Hinge .....	R/L .2
R&I Hood Assy .....	.5
R&I Hood Ornament .....	.2
R&I Washer Nozzle .....	R/L .2

Illustration Located in Next Column

<b>1 Panel, Hood w/Hood Ornament w/o Hood Ornament</b>	C2S033572	#1.7	595.00
	C2S033553	#1.5	595.00
<i>#Includes R&amp;R/R Grille</i>			
<b>2 Hinge, Hood To VIN D53912</b>	R/L C2S031065-6	#3	125.30
From VIN D53913	R/L C2S031065-6	#3	125.30

# JAGUAR X-TYPE 2002-05

## HOOD Cont'd



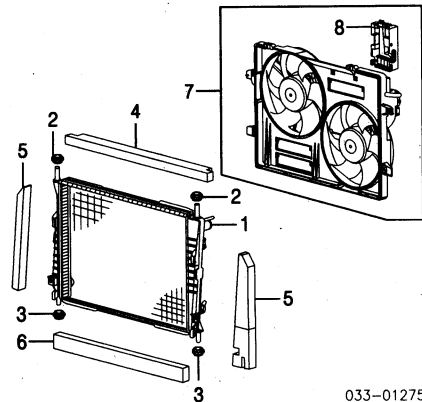
033-01274

<b>#w/Hood &amp; Cowl Plenum Panel Removed</b>			
3	Strut, Support	R/L C2S001927	#.2 58.25
<b>#w/Hinge Removed Deduct .1</b>			
4	Pin, Strut	R/L XR8002402	.85
5	Insulator, Hood	C2S030508	.4 104.20
	To VIN D42149	C2S031395	.4 114.75
	From VIN D42150	XR8007575	.50
6	Retainer, Insulator (22)	C2S008282	.2 13.75
7	Seal, Front Hood	R/L C2S020346	7.05
	Bumper, Hood	R/L C2S009307	17.05
8	Latch, Primary Hood	C2S017227	14.45
9	Latch, Secondary Hood		
10	Striker, Hood Latch		
	To VIN D57265	C2S032219	.2 21.60
	From VIN D57266	C2S032219	.2 21.60
11	Cable, Hood Release	C2S019101	.8 15.15
12	Retainer, Release Cable	XR8002373	1.45
13	Handle, Hood Release	C2S003412	.2 19.65
14	Ornament, Hood	C2S026934	.2 170.85
	Nozzle, Washer-See Windshield Section		

## COOLING

Use Procedure Explanations 5 and 28 with the following text.

R&I Radiator..... #2.8  
 #Includes R&I/R&R Radiator Fan/Motor Assy

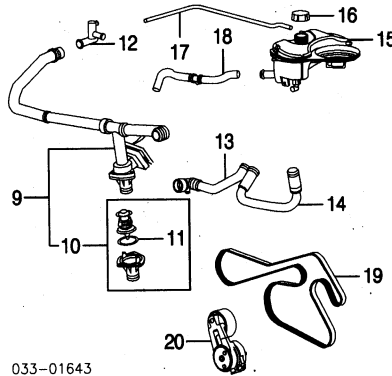


033-01275

1	Radiator	C2S042756	#2.8 225.00
<b>#Includes R&amp;I/R&amp;R Radiator Fan/Motor Assy</b>			
2	Cushion, Upper Mtg	R/L C2S002685	3.80
3	Cushion, Lower Mtg	R/L C2S004405	9.00
4	Seal, Upper Radiator	C2S020552	23.60
5	Seal, Side Radiator	R/L C2S017718-7	17.75
6	Seal, Lower Radiator	C2S005313	25.30
7	Fan & Motor Assy, Radiator	C2S027035	2.6 319.00
8	Module, Speed Control	C2S024957	.8 142.50
<b>#Included w/Radiator Fan &amp; Motor Assy</b>			

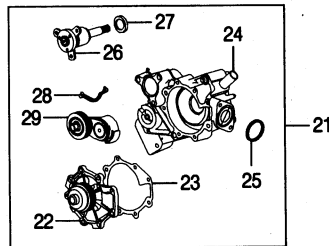
Illustration Located in Next Column

9	Hose Assy, Upper Radiator	C2S025746	2.4 96.35
10	Thermostat Assy (a)	C2S011278	2.5 34.00
11	Seal, Thermostat (a) (b)	NCA2269CA	.65
<b>(a) Included w/Upper Radiator Hose Assy</b>			
<b>(b) Included w/Thermostat Assy</b>			
12	Fitting, Radiator Hose	C2S016877	1.7 8.85
13	Hose, Lower Radiator	C2S005369	#1.6 37.20
14	Hose, By-Pass	C2S030225	#1.6 23.60



033-01643

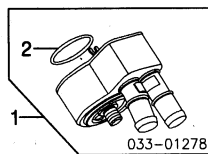
<b>#R&amp;R Both 2.6</b>			
15	Reservoir, Coolant	C2S018320	.3 121.20
16	Cap, Reservoir	MJA4440BA	15.10
17	Pipe, Vent		
	To VIN C15315	C2S002733	.6 11.40
	From VIN C15316	C2S023486	.6 10.15
18	Hose, Return Reservoir		
	To VIN C15315	C2S005373	.8 34.15
	From VIN C15316 to C96814	C2S023485	.8 16.55
	From VIN C96815	C2S023485	.8 16.55
19	Belt, Drive (d)	C2S024900	.7 47.35
<b>(d) Order by Application</b>			
20	Tensioner, Drive Belt	C2S011662	#.3 48.50
<b>#w/Drive Belt Removed</b>			



033-01625

21	Pump Assy, Water	C2S029866	m 4.6 220.00
22	Pump, Water (c)	C2S018139	m 2.6 76.75
23	Gasket, Water Pump (c)	C2S013730	m m 11.40
24	Housing, Water Pump (c)	C2S037799	m 4.6 0.00
25	Gasket, Inlet (c)	XR8005431	m m 1.65
26	Bearing, Water Pump (c)	C2S037797	m m 0.00
27	Seal, Bearing (c)	C2S037798	m m 2.05
28	Gasket, Bearing (c)	C2S005111	m m 14.35
29	Tensioner, Belt (c)	C2S005114	.6 56.50
<b>(c) Included w/Water Pump Assy</b>			
30	Pipe Assy, Water	C2S018895	1.5 14.65
31	Seal, Pipe (e)	C2S005121	d3.00
<b>(e) Included w/Water Pipe Assy</b>			
32	Pipe Assy, By-Pass	XR8019856	1.7 61.85
33	Sensor, Temp (f)	LNA1600AA	.5 22.65
34	Seal, Sensor (f)	XR8019872	1.45
35	Seal, Pipe (f)		
	No. 1	XR8005356	.40
	No. 2	XR8005353	-4.00
<b>(f) Included w/By-Pass Pipe Assy</b>			
36	Pipe Assy, Inlet	C2S011661	1.3 d8.35
37	Seal, Inlet O-Ring (g)	XR8005431	1.65
<b>(g) Included w/Inlet Pipe Assy</b>			

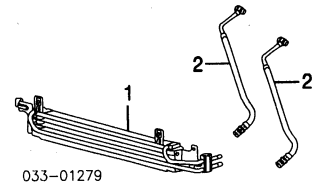
## ENGINE OIL COOLER



033-01278

1	Cooler Assy, Engine Oil	C2S018896	m 2.0 100.10
2	Seal, Eng Oil Cooler	JLMO21003	m 16.25
<b>#Included w/Engine Oil Cooler Assy</b>			

## TRANS OIL COOLER



033-01279

1	Cooler, Trans Oil	C2S033681	m 2.4 389.00
2	Hose, Trans Oil Cooler	R/L C2S002724	m #1.6 32.45
<b>#R&amp;R Complete</b>			

## A/C REFRIGERANT CAPACITIES

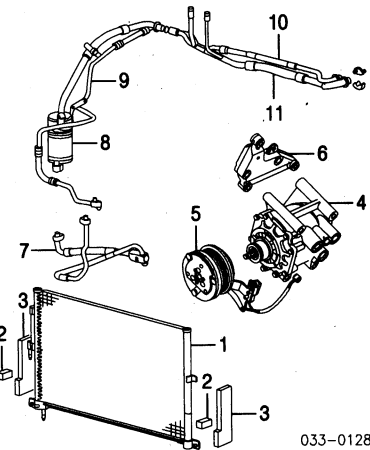
A/C R-134a Refrigerant Capacity  
 2002-05: 27.0-29.0 Ozs (1.7-1.8 Lbs)

## A/C /HEATER/VENTILATION

Use Procedure Explanation 6 with the following text.

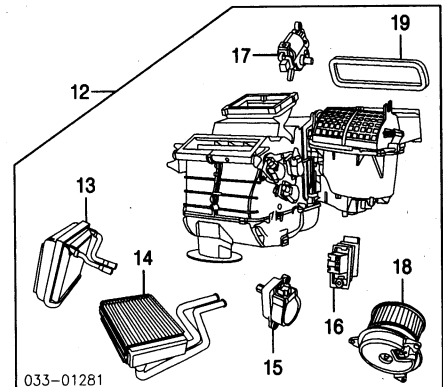
R&I Condenser	..... #7
<b>#w/Bumper Assy Removed</b>	
Evacuate & Recharge System	.....m 1.4
Recover Refrigerant	.....m .3

NOTE: R&R Does Not include recover, evacuate and recharge system.



033-01280

1	Condenser	C2S005302	m #7 372.00
<b>#w/Bumper Assy Removed</b>			
2	Seal, Lower Condenser		
	To VIN C02492	R/L C2S010456	7.00
	From VIN C02493	R/L C2S017586	6.45
3	Seal, Side Condenser	R/L C2S017587-8	15.75
4	Compressor, A/C	C2S034397	m #1.8 441.00
5	Clutch, Compressor	C2S005982	m #1.8 530.00
<b>#R&amp;R Complete</b>			
6	Bracket, Compressor	C2S005364	m 26.45
7	Hose, Compressor	C2S025547	m .8 88.25
<b>Belt, Drive-See Cooling Section</b>			
8	Receiver/Drier	C2S006013	m .7 132.25
9	Tube, A/C	C2S040401	m .5 97.00
10	Tube, Discharge	C2S017245	m .6 53.00
11	Hose, Suction	C2S017247	m .6 61.75



033-01281

12	Evaporator Assy		
----	-----------------	--	--

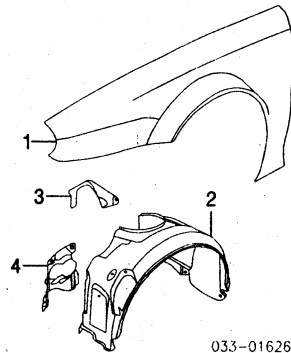
w/ATC	C2S039115	m	#2.3	795.00
w/o ATC				
To VIN C01948	C2S014638	m	#2.3	705.00
From VIN C01949 to VIN D93817	C2S037516	m	#2.3	705.00
From VIN D93818	C2S037516	m	#2.3	705.00
13 Core, Evaporator	C2S015776	m	#2.8	353.00
<i>#w/Instrument Panel Removed</i>				
14 Core, Heater	C2S004781	m	#2.2	231.50
<i>#w/Center Console Assy Removed</i>				
15 Motor, Stepper	C2S003032	m		70.50
16 Regulator, Blower Motor	C2S037529	m	.7	43.45
17 Actuator, Door	C2S034337	m		d245.15
18 Motor, Blower (a)	C2S025790	m	.8	176.50
<i>(a) Order by Application</i>				
19 Seal, Evaporator Case	C2S002993	m		7.05
<i>#Included w/Evaporator Assy</i>				

## FRONT FENDER

Use Procedure Explanations 7 and 28 with the following text.

Refinish Fender Outside	R/L	2.0
Add to Edge Fender	R/L	.5
R&L Fender Assy	R/L	#2.9

*#Includes R&L Bumper Assy, Fender Liner, Combination Lamp & Rocker Moulding*

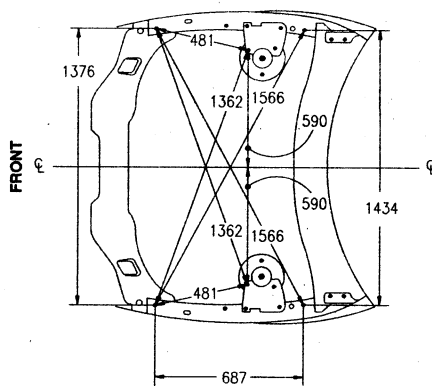


033-01626

1 Fender	R/L	C2S023559-60	#3.2	291.00
<i>#Includes R&amp;L Bumper Assy, Fender Liner, Combination Lamp &amp; Rocker Moulding</i>				
2 Liner, Fender	R/L	C2S003994-5	.5	155.35
3 Guard, Fender Liner	R/L	C2S028478-9		d37.50
4 Guard, Splash				
Right				
To VIN D56010	C2S015890	.2	39.35	
From VIN D56011	C2S036481	.2	39.80	
Left				
To VIN C02336	C2S016152	.2	39.35	
From VIN C02337 to VIN D56010	C2S016152	.2	39.35	
From VIN D56011	C2S036482	.2	d38.60	

## UNDERHOOD DIMENSIONS

061-50080

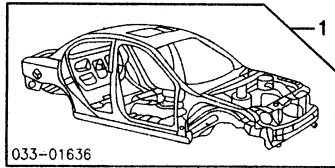


## BODY ASSY

### SEDAN

Illustration Located in Next Column

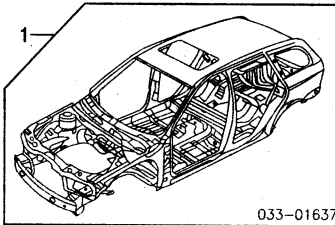
1 Body, Complete				
w/Sunroof				



033-01636

Folding Seat				
To VIN D55321	C2S008171			10300.00
From VIN D55322	C2S026403			d9500.00
Non-Folding Seat				
To VIN D55321	C2S008170			10300.00
From VIN D55322	C2S026405			d9500.00
w/o Sunroof				
Folding Seat				
To VIN D55321	C2S008169			10300.00
From VIN D55322	C2S026399			d9500.00
Non-Folding Seat				
To VIN D55321	C2S008172			10300.00
From VIN D55322	C2S026401			d9500.00

## WAGON



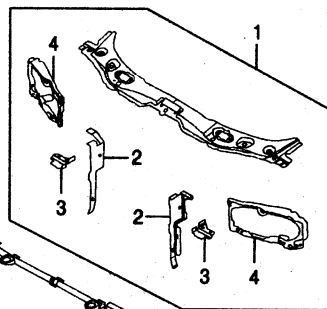
033-01637

1 Body, Complete				
w/Sunroof	C2S031177			d11950.00
w/o Sunroof	C2S020692			d8950.00

## FRONT INNER STRUCTURE

Use Procedure Explanations 8 and 28 with the following text.

Refinish Radiator Support Complete	1.5
Refinish Upper Radiator Support Assy	1.0
Refinish Radiator Support Reinforcement	R/L .5
Refinish Headlamp Mounting Panel	R/L .5
R&R Radiator Support Complete	#12.5
<i>#Includes R&amp;R Upper Radiator Support Assembly, Lower Tie Bar, R&amp;L Front Bumper, R&amp;L/R&amp;R Air Cleaner, Air Cleaner Duct, Radiator, Fan/Motor Assy, Combination Lamps, Battery &amp; Tray, Hood Latches, Hood Striker, Lower Shield, Hood Bumpers, Radiator Side Seals, Disconnect &amp; Connect Hood Release Cable &amp; Wiring &amp;/or Harness</i>	
Add to R&R Radiator Support Complete	
To R&L/R&R Base Model Mechanical Components	m #1.0
<i>#Includes R&amp;L/R&amp;R A/C Condenser &amp; Trans Oil Cooler</i>	
To Aim Lamps	.4
Evacuate & Recharge System	m 1.4
Recover Refrigerant	m .3



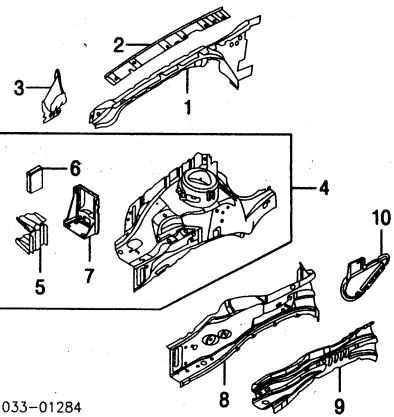
033-01283

1 Support Assy, Upper Radiator	C2S023669	s	#4.0	345.00
2 Reinf, Radiator Support				
To VIN C06262	R/L C2S008575-6	s	#1.5	42.25
From VIN C06263	R/L C2S023947-8	s	#1.5	38.55
3 Reinf, Valance	R/L C2S023673-4	s	#2.5	23.65
4 Panel, Headlamp Mtg	R/L C2S029233-4	s	#2.5	36.55
<i>#Included w/Upper Radiator Support Assy</i>				
5 Bar, Lower Tie	C2S026568	s	#4	103.45
<i>#w/Necessary Bolted Parts &amp; Assemblies Removed</i>				

## SIDE

Refinish Upper Rail Panel	R/L	.5
Refinish Front Apron	R/L	1.0

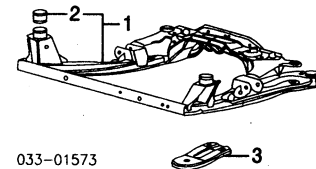
Refinish Inner Sidemember R/L 1.0



033-01284

1 Panel, Upper Rail	R/L	C2S016163-4	s	#4.5	145.10
2 Reinf, Upper Rail	R/L	C2S024641-2	s	#4.5	69.85
<i>#R&amp;R One Side Complete, w/Front Apron Assy Removed Deduct 2.0</i>					
3 Reinf, Bumper Mtg	R/L	C2S016435-6		1.5	24.95
4 Apron Assy, Front					
To VIN C04303	R	C2S009814	s	7.5	375.00
From VIN C04304	L	C2S030056	s	7.5	482.00
From VIN C04304	R/L	C2S030055-6	s	7.5	482.00
5 Tube, Crush					
To VIN C04303	R/L	C2S023531-2	s	1.5	114.25
From VIN C04304	R/L	C2S023531-2	s	1.5	114.25
6 Plate, Crush Tube	R/L	C2S008987	s	1.0	49.65
7 Reinf, Front Apron	R/L	C2S008972-3	s	1.0	64.20
<i>#Included w/Front Apron Assy</i>					
8 Sidemember, Inner					
To VIN D06199	R/L	C2S037908-9	s	#7.5	205.65
From VIN D06200 to VIN D99419	R/L	C2S037908-9	s	#7.5	205.65
From VIN D99420	R/L	C2S037908-9	s	#7.5	205.65
9 Reinf, Sidemember	R/L	C2S009017-8	s	#7.5	132.65
<i>#R&amp;R One Side Complete, w/Front Apron Assy Removed Deduct 2.5</i>					
10 Extension, Sidemember	R/L	N.A.			0.00

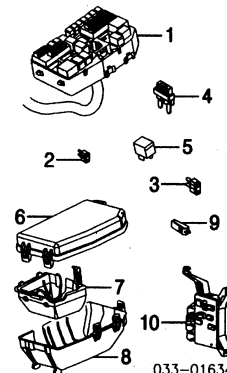
## SUB-FRAME



033-01573

1 Sub-Frame Assy	C2S026101	m	#5.3	219.00
<i>#Includes R&amp;L/R&amp;R Exhaust Pipe, Stabilizer Bar, Lower Control Arms &amp; Suspend Steering Gear Assy</i>				
2 Mount, Sub-Frame (4)	C2S026196			21.35
<i>#Included w/Sub-Frame Assy</i>				
3 Reinforcement, Sub-Frame	R/L	C2S010560		40.95

## ELECTRICAL COMPONENTS



033-01634

1 Box, Fuse	C2S039829	m		362.00
2 Fuse, Mini (a)	C2S009935			2.20
3 Fuse, Main (a)	C2S009898			2.20
4 Diode (a)	C2S019089	m	.3	2.75
<i>(a) As Required</i>				
5 Relay	C2S002674	m	.3	14.65
<i>#Order by Application</i>				
Cover, Fuse Box				

# JAGUAR X-TYPE 2002-05

## FRONT INNER STRUCTURE Cont'd

### ELECTRICAL COMPONENTS Cont'd

6	Upper	C2S004243		.1	20.45
7	Center	C2S007914	m		10.00
8	Lower	C2S004439	m		20.85
9	Puller, Fuse	JLMO20898			1.00
10	Box, Junction	C2S027465	m		90.50

## AIR BAG SYSTEM

Use Procedure Explanation 30 with the following text.

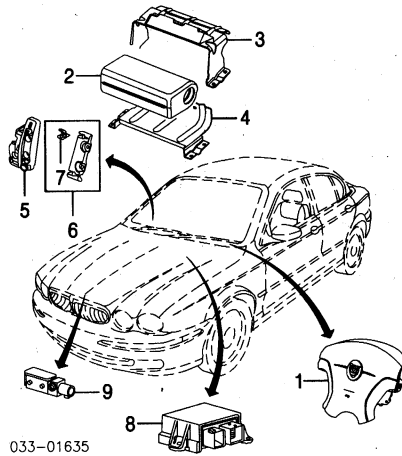
**NOTE 1:** R&R Does Not include disable and enable or diagnose Air Bag System.

**NOTE 2:** Refer to Procedural Explanation 30 for Supplemental Restraint/Air Bag System Component Inspection and Replacement Information.

**NOTE 3:** For Air Bag System Service procedures, refer to Manufacturer's Service Repair Manual or Mitchell's Air Bag Service and Repair Manual.

### FRONT

Disable & Enable Air Bag System	m	.3
Diagnose Air Bag System (If Required)	m	#1.7
<i>#Includes R&amp;R Driver Air Bag Module, Glove Box and Disconnect &amp; Connect Scan Tool &amp; Retrieve/Clear Trouble Codes</i>		



033-01635

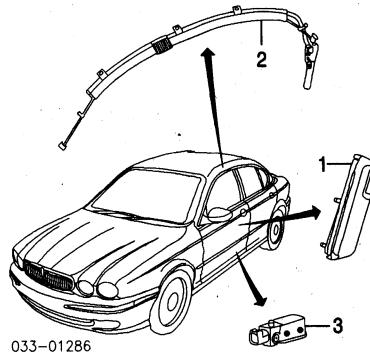
<b>1 Module, Driver Air Bag</b>					
Charcoal					
To VIN D40325	C2S030446LEG	m	.3	740.00	
From VIN D40326	C2S030446LEG	m	.3	740.00	
Granite					
To VIN D07699	C2S030446LGP	m	.3	740.00	
From VIN D07700 to VIN D40325	C2S030446LGP	m	.3	740.00	
From VIN D40326	C2S030446LGP	m	.3	740.00	
Mocha	C2S030446AMB	m	.3	740.00	
Sable					
To VIN D40325	C2S030446AEK	m	.3	780.00	
From VIN D40326	C2S030446AEK	m	.3	780.00	
<b>2 Module, Pass Air Bag</b>	C2S020337	m	1.0	605.00	
<b>3 Bracket, Pass Air Bag</b>					
Upper	C2S015428			43.00	
Lower	C2S002301			43.00	
<b>5 Bracket Assy, Air Bag Module</b>					
Passenger Side					
To VIN D55321	C2S017090			13.80	
From VIN D55322	C2S034660			13.45	
<b>6 Clip, Pass Air Bag Brkt (2)</b>	C2S011718			.90	
<i>#Included w/Air Bag Module Bracket Assy</i>					
<b>7 Lamp, Air Bag Warning</b>					
To VIN D38906	C2S016172	m	.5	24.70	
From VIN D38907	C2S027388	m	.5	23.65	
<b>8 Module, Restraint Control (a)</b>	C2S031697	m	#.7	429.00	
<i>(a) Order by Application</i>					
<i>#w/Center Console Removed</i>					
<b>9 Sensor, Front</b>	C2S042264		#.2	282.00	
<i>#w/Grille Removed</i>					

### SIDE

Disable & Enable Air Bag System	m	.3
Diagnose Air Bag System (If Required)	m	#1.7
<i>#Includes R&amp;R Driver Air Bag Module, Glove Box and Disconnect &amp; Connect Scan Tool &amp; Retrieve/Clear Trouble Codes</i>		

Illustration Located in Next Column

<b>1 Module, Seat Air Bag</b>	R	C2S017331	m	#.4	800.00
	L	C2S017332	m	#.4	755.00



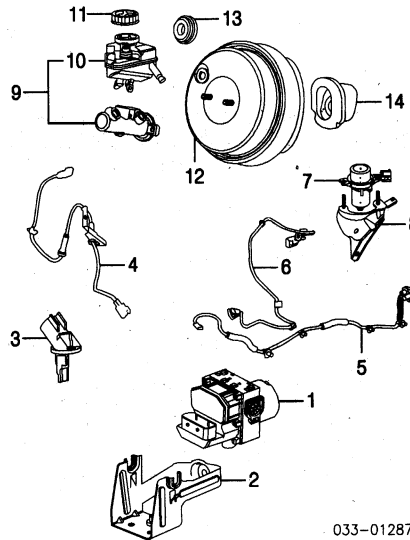
033-01286

<i>#w/Front Seat Back Cover Removed</i>					
<b>2 Module, Side Curtain Air Bag</b>					
Sedan	R/L	C2S023384-5	m	#1.2	760.00
Wagon	R/L	C2S019663-4	m	#1.2	1010.00
<i>#w/Headliner Removed</i>					
<b>3 Sensor, Side Air Bag (2/Side)</b>					
To VIN D55321	R/L	C2C023972	m	#.7	172.55
From VIN D55322	R/L	C2C023972	m	#.7	172.55
<i>#w/Front Seat Assy Removed</i>					
<i>Pretensioner, Seat Belt-See Seat Belts Section</i>					

## ABS/BRAKES

Bleed System	m	.6
--------------	---	----

**NOTE:** R&R Does Not include bleed brake system.



033-01287

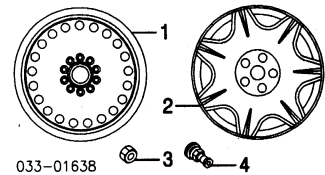
<b>1 Module, ABS</b>	C2S039162	m	1.7	2025.00	
<b>2 Bracket, ABS Module</b>	C2S017335		#.2	40.30	
<i>#w/ABS Module Removed</i>					
<b>3 Sensor, Front ABS</b>	R/L	C2S017482	m	.5	64.55
<b>4 Harness, Front ABS</b>					
To VIN D13881	R/L	C2S026194	m	24.85	
From VIN D13882	R/L	C2S029893	m	24.30	
<b>5 Sensor, Rear ABS</b>	R/L	C2S020882-3	m	.5	64.55
<b>6 Harness, Rear ABS</b>					
To VIN C01023	R/L	C2S007530	m	30.55	
From VIN C01024 to C11406	R/L	C2S017510	m	28.25	
From VIN C11407	R/L	C2S023170	m	27.50	
<b>7 Pump, Vacuum</b>	C2S011294	m		91.80	
<b>8 Brkt, Vacuum Pump</b>	C2S013019		#.2	12.75	
<i>#w/Vacuum Pump Removed</i>					
<b>9 Cylinder Assy, Master Reservoir, Brake Fluid</b>	C2S017220	m	1.2	277.00	
	C2S016195	m	.8	119.50	
<i>#Included w/Master Cylinder Assy</i>					
<b>11 Cap, Reservoir</b>	C2S013235			11.20	
<b>12 Booster, Brake</b>					
To VIN D30420	C2S031057	m	#1.6	860.00	
From VIN D30421 to VIN D44087	C2S031057	m	#1.6	860.00	
From VIN D44088	C2S031057	m	#1.6	860.00	
<i>#Includes R&amp;R Master Cylinder Assy</i>					
<b>13 Seal, Brake Booster</b>	C2S016177	m		4.50	
<b>14 Boot, Brake Booster Module, Control</b>	C2S012391	m	d2.0		
	C2S011295	m	.7	138.55	

## WHEEL

Use Procedure Explanation 10 with the following text.

## STEEL WHEEL

Refinish Wheel		.5
Add to R&I Spare Wheel & Tire Assy		.2

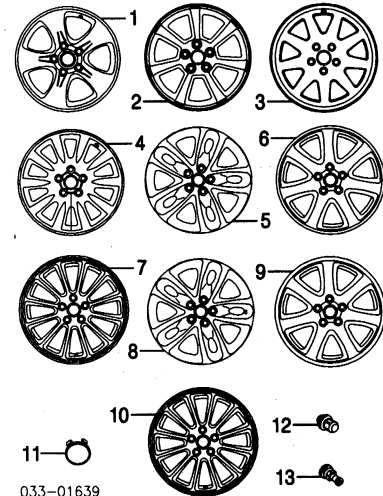


033-01638

<b>1 Wheel, Steel</b>	C2S004975	.3	263.00
<b>2 Cover, Wheel</b>	C2S002450		47.95
<b>3 Nut, Lug</b>	C2S003280		3.80
<b>4 Stem, Valve</b>	XR8006367		7.60

## ALLOY WHEEL

Add to R&I Spare Wheel & Tire Assy		.2
------------------------------------	--	----

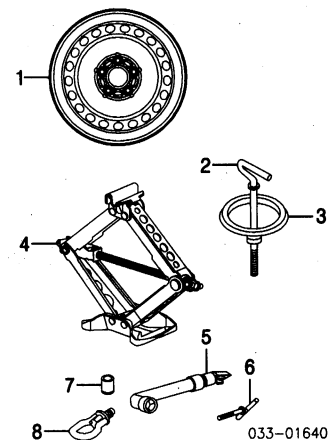


033-01639

### Wheel, Alloy

<b>16"</b>				
5 Spoke	C2S002371	.3	347.00	
7 Spoke	C2S027674	.3	343.00	
9 Spoke	C2S027675	.3	343.00	
10 Spoke	C2S002372	.3	347.00	
<b>17"</b>				
5 Spoke	C2S031379	.3	412.00	
7 Spoke	C2S026121	.3	412.00	
12 Spoke	C2S039550	.3	400.00	
<b>18"</b>				
5 Spoke	C2S016590	.3	775.00	
7 Spoke	C2S025237	.3	775.00	
12 Spoke	C2S035341	.3	740.00	
<i>#Order by Application</i>				
<b>11 Cap, Center</b>				
Black	C2S028254		18.70	
Silver	C2C026061		18.70	
<b>12 Nut, Lug</b>	C2S013886		13.60	
<b>13 Stem, Valve</b>	XR8006367		7.60	

## SPARE WHEEL & HARDWARE



033-01640

<b>1 Wheel, Spare</b>	C2S034339	284.00
-----------------------	-----------	--------

2 Bolt, Hold-Down†	C2S013321	2.75
†Order by Application		
3 Plate, Retaining	C2S013320	7.05
4 Jack	C2S027906	92.10
5 Wrench	C2S010936	13.30
6 Screw, Locking	C2S008670	1.30
7 Cap, Protector	C2S009857	1.00
8 Hook, Tow	XR8008500	34.75

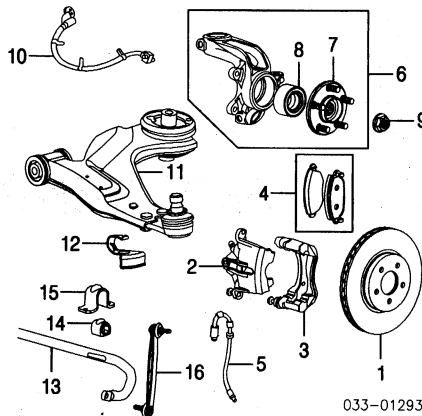
## FRONT SUSPENSION

Use Procedure Explanation 11 with the following text.

R&I Suspension/Sub-Frame Assy	m	4.2
O/H Suspension (Includes R&I)		
One Side	R/Lm	4.7
Both Sides	m	8.8
Adjust Four Wheel Alignment	m	2.1
Adjust Front Alignment	m	1.3
Bleed Brake System	m	.6

NOTE 1: R&I/R&R or O/H Does Not include alignment or bleed brake system.

NOTE 2: All Parts in this section are included in overhaul unless noted otherwise.

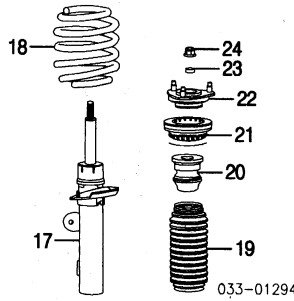


033-01293

1 Rotor, Brake #R&R Both 1.0	R/L	C2S042667	m	#.6	114.00
2 Caliper, Brake	R/L	C2S012636-7	m	#.5	363.00
3 Bracket, Caliper	R	C2S012634	m	#.5	156.80
	L	C2S012635	m	#.5	127.60
#R&R One Side Complete, w/Rotor Removed Deduct .3					
4 Pad Set, Brake		C2S017129	m	#1.0	125.00
#Deduct .5 for Each Caliper Removed					
5 Hose, Brake	R/L	C2S023447	m	#.3	43.80
#w/Caliper Removed Deduct .2					
6 Knuckle Assy, Steering	R	C2S025283	m	#2.4	137.40
	L	C2S025284	m	#2.4	139.05
7 Hub, Wheel†	R/L	C2S008056	m	#2.4	211.70
8 Bearing, Hub†	R/L	C2S008276	m	#2.4	44.35
†Included w/Steering Knuckle Assy					
#R&R One Side Complete, Includes R&R Rotor					
9 Nut, Spindle	R/L	C2S021021	m		8.15
10 Harness, Front ABS-See ABS/Brakes Section					
11 Arm, Lower Control					
To VIN D88173	R	C2S036593	m	#4.2	d133.75
	L	C2S036594	m	#4.2	d133.65
From VIN D88174	R	C2S036593	m	#4.2	d133.75
	L	C2S036594	m	#4.2	d133.65
#w/Steering Knuckle Removed Deduct 3.4, R&R Both Sides 4.7					
12 Cover, Ball Joint	R/L	C2S007188	m		4.25
13 Bar, Stabilizer		C2S040916	m	#.5	216.25
14 Bushing, Stabilizer Bar	R/L	C2S010879	m	#.5	42.70
15 Bracket, Stabilizer Bar					
To VIN C64669	R/L	C2S010880	m	#.5	10.45
From VIN C64670	R/L	C2S020737	m	#.5	9.80
#R&R Complete, w/Suspension/Sub-Frame Assy Removed, Not Included in O/H					
16 Link, Stabilizer					
To VIN D14965	R/L	C2S003248	m	#.5	80.15
From VIN D14966	R/L	C2S026883	m	#.5	58.35
#Not Included in O/H					

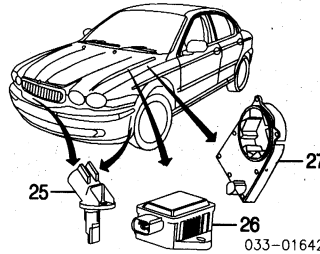
Illustration Located in Next Column

17 Absorber, Shock					
Comfort Susp	R/L	C2S029541	m	#2.8	113.50
Sport Susp	R/L	C2S020557	m	#2.8	96.00
18 Spring, Coil					
Comfort Susp					
Man Trans	R/L	C2S014645	m	#2.8	57.80
Auto Trans	R/L	C2S002456	m	#2.8	61.20
Sport Susp					
Man Trans	R/L	C2S014646	m	#2.8	60.45
Auto Trans	R/L	C2S015109	m	#2.8	61.20
Bump, Dust	R/L	C2S002407	m	#2.8	9.45
20 Bumper, Suspension	R/L	C2S014666	m	#2.8	17.10
21 Bearing, Strut	R/L	C2S004596	m	#2.8	38.55



22 Plate, Upper Mounting	R/L	C2S018010	m	#2.8	40.00
23 Spacer, Mtg Plate	R/L	C2S027933	m	#2.8	2.75
24 Nut, Strut	R/L	C2S003278	m	#2.8	1.50

#R&R One Side Complete, w/Steering Knuckle Removed Deduct 1.4



033-01642

25 Sensor, Front ABS-See ABS/Brakes Section			m	#.5	472.00
26 Sensor, Yaw Rate		C2S004701	m	#1.3	239.85
27 Sensor, Stability		C2S004696	m	#1.3	239.85

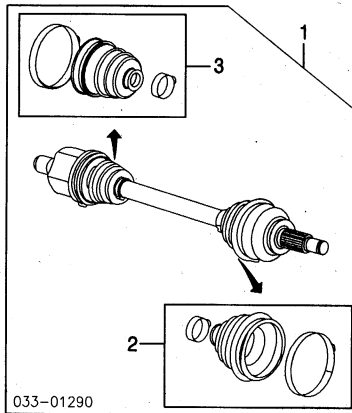
#Not Included in O/H

## FRONT DRIVE AXLE

R&I Axle Shaft Assy	Rm	#.9
	Lm	#.5

#w/Necessary Suspension Components Removed

NOTE: All Parts in this section are included in overhaul unless noted otherwise.



033-01290

1 Axle Assy, Front Drive					
To VIN D88173	R	C2S029729	m	#.9	580.00
	L	C2S029731	m	#.5	580.00
From VIN D88174	R	C2S029729	m	#.9	580.00
	L	C2S029731	m	#.5	580.00

#w/Necessary Suspension Components Removed

2 Boot Kit, Outer†	R/L	C2S016512	m	#.4	22.40
3 Boot Kit, Inner†	R/L	C2S016511	m	#.4	17.80

†Included w/Front Drive Axle Assy  
#w/Axle Shaft Assy Removed

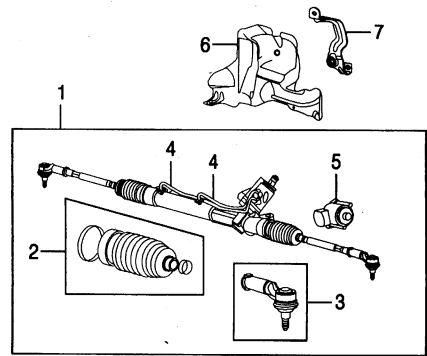
## FRONT STEERING LINKAGE/GEAR

R&I Steering Gear Assy	m	#1.2
------------------------	---	------

#w/Suspension/Sub-Frame Assy Removed

Illustration Located in Next Column

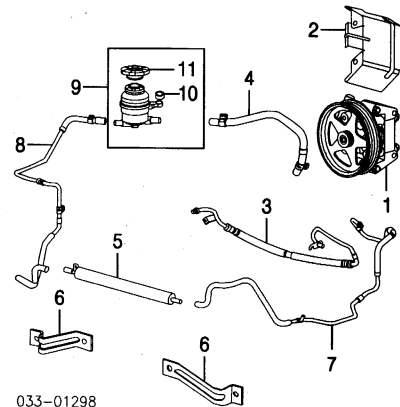
1 Gear Assy, Steering					
To VIN C80189		C2S020407E	m	#1.4	675.00



033-01296

From VIN C80190					
New		C2S020407E	m	#1.4	675.00
Remanufactured		C2S020407E	m	#1.4	675.00
#w/Suspension/Sub-Frame Assy Removed					
2 Boot Kit, Strg Gear†	R/L	C2S012019	m		30.10
3 End, Tie Rod†	R/L	C2S012013	m	#.6	44.75
#R&R Both .9					
4 Tube, Steering Gear†	R	C2S021314	m		17.45
	L	C2S021315	m		17.80
5 Sensor, Steering†		C2S012020	m		155.25
†Included w/Steering Gear Assy					
6 Shield, Heat		C2S016246			19.50
7 Brkt, Heat Shield					
To VIN C32805		C2S018640			24.85
From VIN C32806		C2S018640			24.85

## STEERING PUMP



033-01298

1 Pump, Steering		C2S003673	m	2.0	305.00
2 Shield, Pump					
To VIN C71535		C2S022462			24.25
From VIN C71536		C2S022462			24.25
3 Hose, Pressure		C2S018321	m	4.0	64.65
4 Hose, Feed		C2S008371	m	.7	28.10
5 Cooler, Steering Fluid					
To VIN C81998		C2S008382	m	1.6	103.25
From VIN C81999		C2S020483	m	1.6	101.25
6 Bracket, Fluid Cooler	R/L	C2S008723-2			15.40
7 Hose, Cooler Inlet					
To VIN C20383		C2S008373	m	1.8	35.45
From VIN C20384		C2S025736	m	1.8	72.20
8 Hose, Cooler Outlet		C2S031085	m		61.20
9 Reservoir Assy, Steering Pump		C2S034667	m	.9	43.95
10 Mount, Reservoir† (2)		C2S020051			1.00
11 Cap, Reservoir†		C2S020049			3.40

†Included w/Steering Pump Reservoir Assy  
Belt, Drive-See Cooling Section

## STEERING WHEEL/COLUMN

NOTE: All Parts in this section are included in overhaul unless noted otherwise.

### WHEEL & TRIM

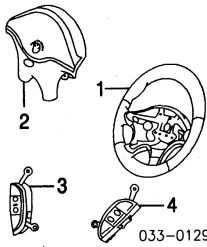
Illustration Located in Next Column

1 Wheel, Steering†					
w/Cruise Control					
Classic Level Trim					
Charcoal		C2S014761LEG	m	.5	435.00
Granite		C2S014761LGP	m	.5	435.00

# JAGUAR X-TYPE 2002-05

## STEERING WHEEL/COLUMN Cont'd

### WHEEL & TRIM Cont'd



033-01299

Sable	C2S021365AEK	m	.5	497.00
Sport Level Trim	C2S021554	m	.5	398.00
w/o Cruise Control				
Charcoal	C2S021366LEG	m	.5	497.00
Granite	C2S021366LGP	m	.5	497.00
Sable	C2S021366AEK	m	.5	497.00

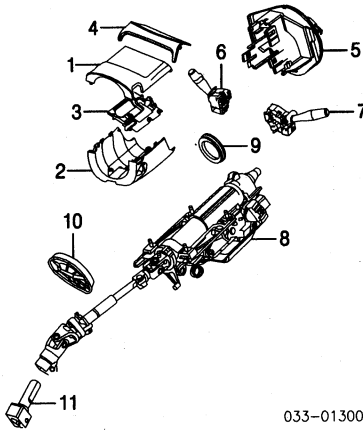
#### Order by Application

<b>2 Module, Driver Air Bag-See Air Bag System Section</b>				
<b>3 Switch, Telephone</b>				
To VIN D55321	C2C017365	m	#.4	94.50
From VIN D55322	C2C017365	m	#.4	94.50
<b>4 Switch, Cruise Control</b>				
To VIN D55321	XR8008933	m	#.4	103.30
From VIN D55322	C2C017363	m	#.4	89.20

#Included in R&R Steering Wheel

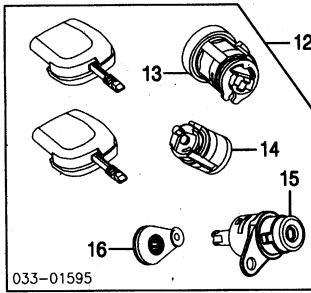
### COLUMN

R&I Steering Column Assy	m	1.5
O/H Steering Column Assy (Includes R&I)	m	2.4



033-01300

<b>1 Cover, Upper Column</b>				
Charcoal	C2S008882LEG	m	#.2	29.50
Granite	C2S008882LGP	m	#.2	29.50
Mocha	C2S008882AMB	m	#.2	29.50
Sable	C2S008882AEK	m	#.2	29.50
<b>2 Cover, Lower Column</b>				
Charcoal	C2S039507LEG	m	#.2	64.20
Granite	C2S020041LGP	m	#.2	36.55
Mocha	C2S020041AMB	m	#.2	36.55
Sable	C2S020041AEK	m	#.2	36.55
<b>#R&amp;R Both .3</b>				
<b>3 Plate, Retention</b>				
To VIN C13575	C2S021561	m	4.00	
From VIN C13576	C2S021561	m	4.00	
<b>4 Cover, Rear Column</b>	C2S014828	m	25.25	
<b>5 Switch, Cancel</b>	C2S005933	m	#1.1	111.20
<b>6 Switch, Signal</b>				
To VIN C20819	C2S017356	m	#1.1	101.10
From VIN C20820	C2S023796	m	#1.1	90.25
<b>7 Switch, Wiper</b>				
w/Rear Wiper				
w/Rain Sensor	C2S032823	m	#1.1	79.40
w/o Rain Sensor	C2S032821	m	#1.1	78.60
w/o Rear Wiper				
w/Rain Sensor	C2S005937	m	#1.1	97.10
w/o Rain Sensor	C2S005935	m	#1.1	97.10
<b>#R&amp;R Complete</b>				
<b>8 Column</b>				
w/DSTC	C2S022374	m	2.4	830.00
w/o DSTC	C2S022372	m	2.4	660.00
<b>9 Seal, Upper Column</b>	C2S003564	m		2.20
<b>10 Seal, Lower Column</b>				
To VIN C43581	C2S019779	m		10.30
From VIN C45832	C2S019779	m		10.30
<b>11 Coupler, Steering</b>	C2S003185	m	.8	39.70



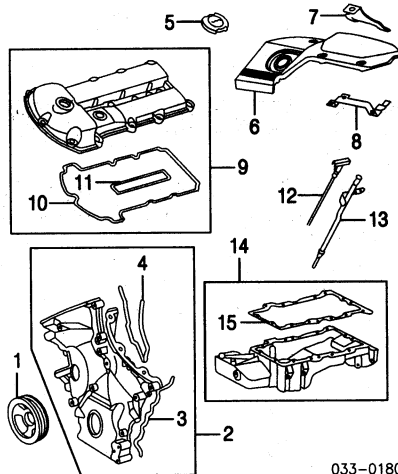
033-01595

<b>12 Lock Set, Complete</b>				
To VIN D40471	C2S038079	#		315.00
From VIN D40472	C2S038079	#		315.00
<b>#Not Included in O/H</b>				
<b>13 Cylinder, Ignition (a)</b>				
To VIN D40471	C2S040489	m	.7	107.20
From VIN D40472	C2S040489	m	.7	107.20
<b>14 Cylinder, Glove Box (a)-See Instrument Panel Section</b>				
<b>15 Cylinder, Door Lock (a)-See Front Door Section</b>				
<b>16 Lever, Lock Control (a)-See Front Door Section</b>				
(a) Included w/Complete Lock Set				

## ENGINE/TRANS

Use Procedure Explanation 12 with the following text.

R&I Engine/Trans Assy	m	11.2
-----------------------	---	------



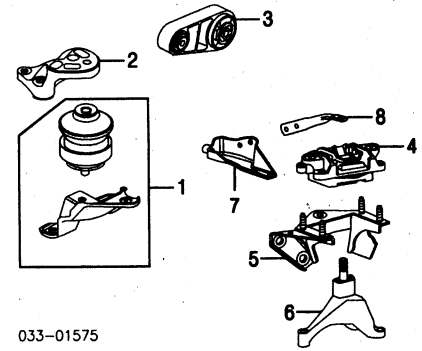
033-01805

<b>1 Damper, Crankshaft</b>	C2S005360	m	1.0	644.90
<b>2 Cover Assy, Timing</b>	C2S020313	m	#9.4	123.35
<b>#R&amp;R Complete</b>				
<b>#Included w/Air Cleaner Assy</b>				
<b>3 Gasket, Lower</b>	R XR8005360	m		24.15
	L XR8005358	m		24.15
<b>4 Gasket, Upper</b>	XR8005359	m		24.15
<b>#Included w/Timing Cover Assy</b>				
<b>5 Cap, Oil Filler</b>	XR8005227			26.45
<b>6 Cover, Eng</b>	C2S018241	#.4		62.40
<b>7 Bracket, Upper Cover</b>	C2S017223	#.4		10.35
<b>8 Bracket, Lower Cover</b>	C2S010747	#.4		11.30
<b>#R&amp;R Complete</b>				
<b>9 Cover Assy, Valve</b>	R C2S034514	m	#2.0	157.60
	L C2S035850	m	#2.0	d147.55
<b>#R&amp;R Both 3.6</b>				
<b>10 Gasket, Valve Cover (a)</b>	R C2S006420	m		d18.45
	L C2S005171	m		d12.00
<b>11 Gasket, Inner (a)</b>	R/L XR8005380	m		20.45
<b>(a) Included w/Valve Cover Assy</b>				
<b>12 Dipstick, Eng Oil</b>	C2S020878			14.55
<b>13 Tube, Eng Dipstick</b>	C2S042294		.5	10.75
<b>14 Pan Assy, Engine Oil</b>				
To Eng 194273	C2S014422	m	#2.2	304.00
From Eng 194274	C2S032992	m	#2.2	264.00
<b>#w/Engine/Trans Assy Removed</b>				
<b>15 Gasket, Eng Oil Pan (b)</b>	XR8027533	m		23.50
<b>(b) Included w/Engine Oil Pan Assy</b>				

## ENGINE/TRANS MOUNTS

Illustration Located in Next Column

<b>1 Mount, Engine</b>	C2S008710	#2.6	80.60
------------------------	-----------	------	-------

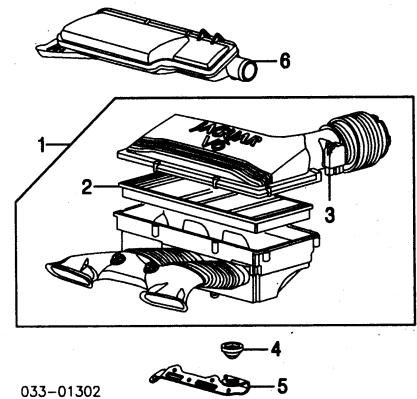


033-01575

<b>2 Bracket, Upper Eng</b>	C2S008845	#2.6	40.30
<b>#R&amp;R Complete</b>			
<b>3 Mount, Strut</b>	C2S020555	1.2	51.90
<b>4 Mount, Trans</b>	C2S004589	#1.6	64.95
<b>5 Bracket, Upper Trans</b>	C2S022456	#1.6	34.00
<b>#R&amp;R Complete</b>			
<b>6 Bracket, Lower Trans</b>			
Man Trans	C2S002424	#.3	182.55
Auto Trans	C2S002460	#.3	38.35
<b>#w/Mount Removed</b>			
<b>7 Support, Trans</b>			
Auto Trans	C2S015213		20.10
<b>8 Brace, Trans</b>			
Auto Trans	C2S012443		38.90

## AIR CLEANER

R&I Air Cleaner Assy	m	.6
----------------------	---	----



033-01302

<b>1 Cleaner Assy, Air</b>	C2S027233		.4	298.00
<b>2 Element, Air Cleaner</b>	C2S011215		.3	12.85
<b>3 Sensor, Air Flow</b>	C2S002670	m	.3	44.00
<b>#Included w/Air Cleaner Assy</b>				
<b>4 Insulator, Air Cleaner</b>	C2S011218			26.30
<b>5 Bracket, Air Cleaner</b>	C2S002712			22.35
<b>6 Duct, Air Cleaner</b>	C2S009587		.2	240.00

## EXHAUST

R&R Exhaust System Complete	#3.8
<b>#Does Not Include R&amp;R Exhaust Manifolds &amp; Heat Shields</b>	

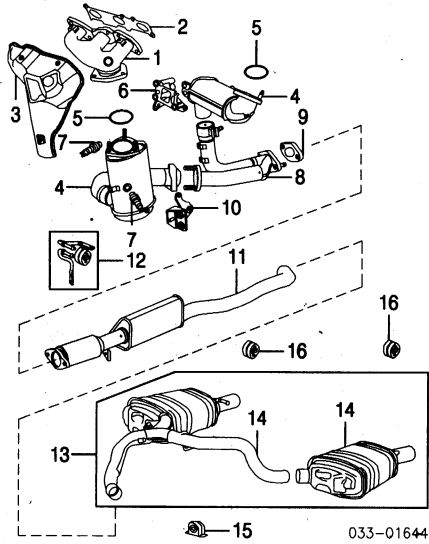
Illustration Located in Next Column

<b>1 Manifold, Exhaust</b>	R C2S004991	m	#5.8	d177.50
	L XR8019862	m	#3.6	208.10
<b>#R&amp;R Both Sides 7.7</b>				
<b>2 Gasket, Manifold</b>	R/L C2S033620	m		9.10
<b>3 Shield, Manifold Heat</b>	R C2S022063			79.85
	L C2S022065			77.50
<b>4 Converter, Catalytic</b>				
To VIN D36194	R/L C2S021144-3		1.3	600.00
From VIN D39195	R C2S002094		1.3	625.00
	L C2S002095		1.3	545.00
<b>5 Gasket, Converter</b>	R/L C2S002895			6.85
<b>6 Bracket, Converter</b>	C2S006662			5.00
<b>7 Sensor, Oxygen (2)</b>				
To VIN C68482	C2S038497	m	.5	96.85
From VIN C68483	C2S038497	m	.5	96.85
<b>8 Pipe, Front</b>	C2S009550		1.1	110.10
<b>9 Gasket, Front Pipe</b>	C2S002753			9.10
<b>10 Bracket, Front Pipe</b>	C2S012235			42.25
<b>11 Pipe, Rear</b>	C2S034405		.8	449.00
<b>12 Hanger, Rear Pipe</b>	C2S008445			22.45
<b>13 Muffler Assy</b>	C2S034409		#1.0	620.00
<b>#w/Rear Suspension/Crossmember Assy Removed</b>				



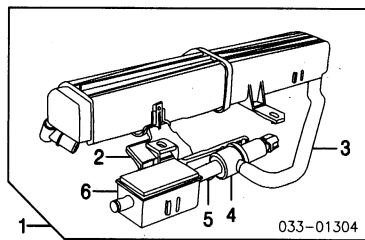
#Includes R&R A/C Compressor			
2 Duct, Cooling	C2S027199	d43.90	
3 Bracket, Alternator	C2S027003	8.85	
4 Belt, Drive-See Cooling Section			

AMPS Telephone	C2S016565	m #.5	76.25
GSM Telephone	C2S016566	m #.5	d76.25
#R&R Complete			



14 Muffler w/Tail Pipe	R/L C2S034407-8	1.8	243.50
#Included w/Muffler Assy			
Hanger, Muffler			
15 Front	NJE6741AA		d6.90
16 Rear	R/L C2S002758		37.25

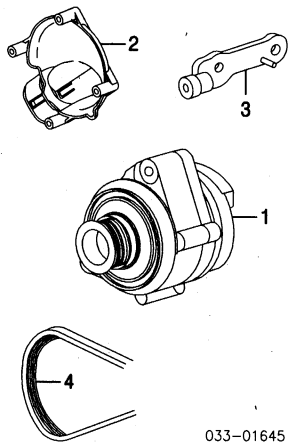
## EMISSION SYSTEM



1 Canister Assy, Vapor	To VIN D55321	C2S019819	m #.3	127.00
	From VIN D55322	C2S023264	m #.3	296.00
#w/Fuel Tank Assy Removed				
2 Bracket, Canister		C2S001409		44.60
3 Tube, Canister	To VIN C44199	C2S001413	m	9.60
	From VIN C44200	C2S020025	m	8.95
4 Solenoid, Canister		C2S008605	m	93.50
5 Tube, Solenoid		C2S01414	m	9.60
6 Separator, Vapor		C2S022069	m	14.60
#Included w/Vapor Canister Assy				
Sensor, Oxygen-See Exhaust Section				

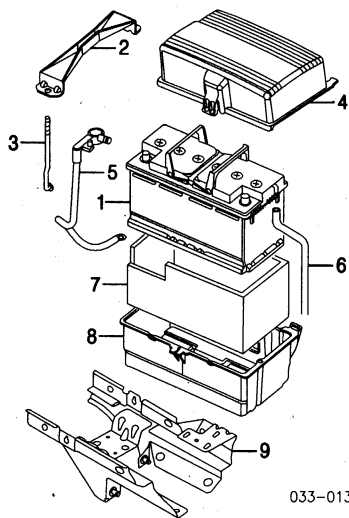
## ELECTRICAL

### ALTERNATOR



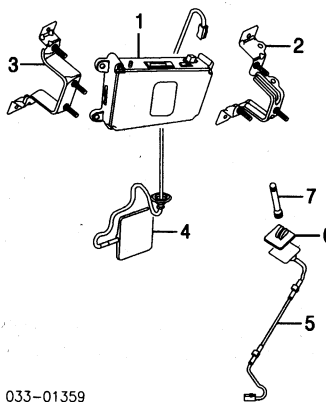
1 Alternator				
Man Trans	XR8022418	m #.2.3		492.00
Auto Trans	C2S003710	m #.2.3		495.00

## BATTERY



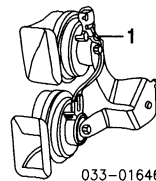
1 Battery	N.A.		.3	0.00
2 Brkt, Battery Hold-Down	C2S010485			11.40
3 Hook, Battery Hold-Down (2)	C2S008642			6.00
4 Cover, Battery				
	To VIN E14899	C2S004070	.1	31.00
	From VIN E14900	C2S037789	.1	20.35
5 Cable, Positive Battery	N.A.		m 9.0	0.00
6 Cable, Negative Battery	C2S026831		m .6	62.80
7 Insulator, Battery				
	61 Amp	C2S022465		26.25
	70 Amp	C2S012186		29.10
	80 Amp	C2S008566		21.25
8 Box, Battery				
	To VIN E14899	C2S004060	#.3	94.45
	From VIN E14900	C2S037788	#.3	119.35
#Includes R&R Battery & Cover				
9 Support, Battery				
	To VIN D55321	C2S003467		62.55
	From VIN D55322	C2S042319		56.50

## COMMUNICATIONS SYSTEM



1 Module, Communication				
	w/Emergency Messaging Sys	C2C011516	m .6	2200.00
	w/o Emergency Messaging Sys			
	To VIN D46488	C2C011278	m .6	785.00
	From VIN D46489	C2S032567	m .6	449.00
2 Bracket, Front Module		C2S023504	#.3	14.00
3 Bracket, Rear Module		C2S023505	#.3	6.30
#R&R Complete, w/Communication Module Removed				
4 Cable, Telephone Antenna				
	AMPS Telephone			
	To VIN E27431	C2S002681	m .8	64.90
	From VIN E27432	C2S035837	m .8	55.35
	GSM Telephone			
	To VIN D55321	C2S002679	m 1.0	640.90
	From VIN D55322	C2S035836	m 1.0	55.45
5 Cable, Rear Antenna		C2S021049	m	61.80
6 Base, External Antenna		C2S020120	m #.5	61.80
7 Antenna, Telephone				

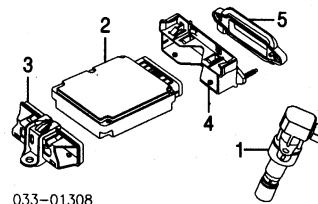
## HORN



1 Horn, Dual Note	C2S039053		.3	73.70
-------------------	-----------	--	----	-------

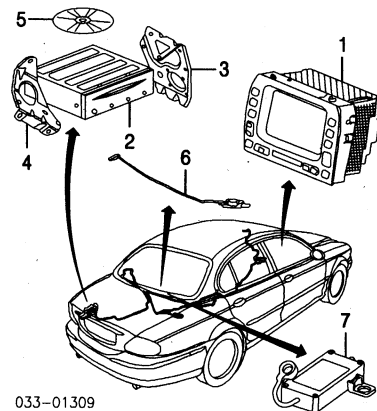
## IGNITION

R&R Ignition Coils Complete .....m .9



1 Coil, Ignition (6)	C2S011480	m .4	36.85	
2 Module, Eng Control				
	2.5L Eng			
	To VIN D55321	C2S030255	m .7	1460.00
	From VIN D55322 to VIN E27773	C2S036230	m .7	975.00
	From VIN E27774	C2S038416	m .7	1080.00
	3.0L Eng			
	To VIN D55321	C2S030256	m .7	1460.00
	From VIN D55322	C2S038417	m .7	1270.00
3 Bracket, Front Module		C2S002473		21.25
4 Bracket, Rear Module		C2S002471		21.25
5 Cover, Module		C2S003687		21.20

## NAVIGATION SYSTEM



1 Display, Navigation				
	w/Heated Windshield			
	w/TV			
	To VIN C66699	C2S017996	m 1.2	3700.00
	From VIN C66700 to VIN D01807	C2S023837	m 1.2	2750.00
	From VIN D01808 to VIN D55321	C2S033402	m 1.2	2500.00
	From VIN D55322	C2S033402	m 1.2	2500.00
	w/o TV			
	To VIN C66699	C2S017994	m 1.2	3300.00
	From VIN C66700 to VIN D01807	C2S032192	m 1.2	2500.00
	From VIN D01808 to VIN D55321	C2S024927	m 1.2	3200.00
	From VIN D55322	C2S033399	m 1.2	2500.00
	w/o Heated Windshield			
	w/TV			
	From VIN D01807	C2S023836	m 1.2	2750.00
	From VIN D01808 to VIN D55321	C2S024928	m 1.2	2750.00
	From VIN D55322	C2S038635	m 1.2	2800.00
	w/o TV			
	To VIN C32451	C2S010606	m 1.2	1725.00
	From VIN C32452 to VIN D01807	C2S032191	m 1.2	2500.00
	From VIN D01808	C2S033398	m 1.2	2500.00
		C2S032562	m .5	2550.00
2 Module, Navigation				
3 Bracket, Navigation Module				
3 Front		C2S010243		20.65
4 Rear		C2S006704		24.95
5 CD, Navigation		C2C020608	m	442.00
6 Antenna, Navigation				
	To VIN D55321	C2S002658	m 1.0	25.45
	From VIN D55322	C2S035382	m 1.0	81.65



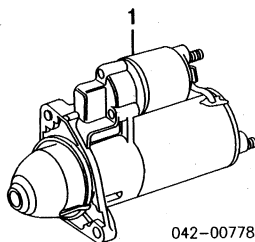
# JAGUAR X-TYPE 2002-05

## ELECTRICAL Cont'd

### NAVIGATION SYSTEM Cont'd

7 Amplifier, Signal Harness, Wiring Sedan Wagon	C2S003336	m	.6	141.45
	C2S042981	m		176.50
	C2S031710	m		0.00

### STARTER



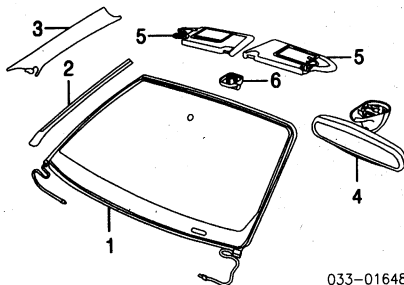
042-00778

1 Starter	C2S041471	m	1.0	595.00
-----------	-----------	---	-----	--------

## WINDSHIELD

Use Procedure Explanation 13 with the following text.

R&I Windshield.....	#3.8
<i>#Includes Clean Up Old Adhesive as Necessary</i>	



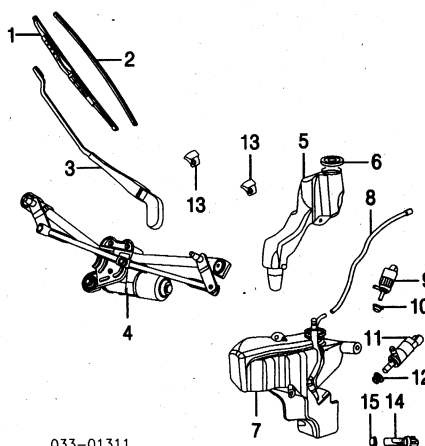
033-01648

### 1 Glass, Windshield

Jaguar w/Electrochromatic Mirror w/Rain Sensor				
Heated	C2S017230	#3.5	469.00	
Non-Heated	C2S017231	#3.5	359.00	
w/o Rain Sensor				
Heated				
To VIN C06265	C2S009360	#3.5	488.00	
From VIN C06266	C2S017233	#3.5	433.00	
Non-Heated	C2S017231	#3.5	359.00	
w/o Electrochromatic Mirror				
Heated				
Non-Heated	C2S017232	#3.5	433.00	
	C2S017229	#3.5	389.00	
NAGS				
w/Electrochromatic Mirror w/Rain Sensor				
Heated				
Standard	FW02288GTY	#3.5	0.00	
Premium	FW02286GTY P	#3.5	568.75	
Non-Heated				
Standard	FW02285GTY	#3.5	0.00	
Premium	FW02285GTY P	#3.5	748.55	
w/o Rain Sensor				
Heated				
Standard	FW02287GTY	#3.5	0.00	
Premium	FW02287GTY P	#3.5	755.50	
Non-Heated	FW02284GTY	#3.5	0.00	
w/o Electrochromatic Mirror				
Heated				
Standard	FW02286GTY	#3.5	0.00	
Premium	FW02286GTY P	#3.5	797.45	
Non-Heated				
Standard	FW02283GTY	#3.5	0.00	
Premium	FW02283GTY P	#3.5	629.70	
<i>#Includes Clean Up Old Adhesive as Necessary</i>				
Adhesive	N.A.		0.00	
2 Moulding, Windshield	R/L C2S036549-50		39.85	
3 Finisher, Windshield 2002-04				
Gray				
To VIN C75892	R C2S017768LFJ	.3	65.70	
	L C2S017769LFJ	.3	67.70	
From VIN C75893	R C2S023939LFJ	.3	65.85	
	L C2S023940LFJ	.3	65.85	
Oatmeal				
To VIN C75892	R C2S017768AGD	.3	67.70	
	L C2S017769AGD	.3	67.70	
From VIN C75893	R C2S023939AGD	.3	65.85	
	L C2S023940AGD	.3	65.85	
Sand				
To VIN C75892	R C2S017768ADX	.3	67.70	
	L C2S017769ADX	.3	67.70	
From VIN C75893	R C2S023939ADX	.3	65.85	

2005	L C2S020019ADX		67.70
Champagne			
	R C2S025828SEL	.3	66.60
	L C2S025829SEL	.3	66.60
Gray			
	R C2S029084LFJ	.3	65.85
	L C2S029085LFJ	.3	65.85
4 Mirror Assy, Rear View w/Rain Sensor w/Auto Lamp w/o Auto Lamp w/o Rain Sensor Cover, Mirror (a)			
	C2S001598	.2	226.45
	XR8016361	.2	270.00
	XR8009298	.2	40.45
	C2S004139		17.55
<i>(a) Included w/Rear View Mirror Assy</i>			
5 Visor, Sun			
Champagne			
	R C2S031468SEL	.2	139.30
	L C2S031470SEL	.2	139.30
Gray			
	R C2S031468LFJ	.2	139.30
	L C2S031470LFJ	.2	139.30
Oatmeal			
To VIN C06378	R C2S031468AGD	.2	139.30
	L C2S031470AGD	.2	139.30
From VIN C06379	R C2S031468AGD	.2	139.30
	L C2S031470AGD	.2	139.30
6 Holder, Visor			
Champagne	R/L C2S002222SEL		6.70
Gray	R/L C2S002222LFJ		7.35
Oatmeal	R/L C2S002222AGD		7.35

## WIPER SYSTEM



033-01311

1 Blade, Wiper	R C2S039927	.1	28.35
	L C2S039930	.1	21.65
2 Insert, Wiper	R/L C2S013422-1		13.55
3 Arm, Wiper	R C2S001704	#.2	36.05
	L C2S001706	#.2	36.05
<i>#Includes R&amp;R Wiper Blade</i>			
4 Motor/Linkage, Wiper	C2S039494	.9	185.00
5 Filler, Washer Fluid	C2S022525		15.40
6 Cap, Washer Filler	C2S004055		1.25
7 Reservoir, Washer Fluid			
Sedan			
To VIN D55321	C2S001612	.7	108.25
From VIN D55322	C2S039575	.7	77.80
Wagon			
To VIN E26611	C2S040860	.7	106.15
From VIN E26612	C2S040860	.7	106.15
8 Hose, Washer	C2S004066	.7	4.40
9 Pump, Washer			
Sedan	C2S004065		86.80
Wagon	C2S042395		71.55
10 Seal, Washer Pump	C2S004603		10.45
11 Pump, Headlamp Washer	C2S004086		36.15
12 Seal, Washer Pump	C2S007944		7.05
13 Nozzle, Washer	R/L C2S016868	#.2	25.45
<i>#Included in R&amp;R Hood</i>			
14 Sensor, Fluid Level	C2S004061		24.25
15 Seal, Fluid Sensor	C2S004604		2.75

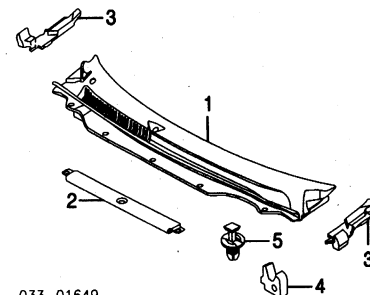
## COWL & DASH

Use Procedure Explanations 14 and 28 with the following text.

R&I Cowl Plenum Panel.....	#.6
<i>#Includes R&amp;I/R&amp;R Wiper Arms</i>	

Illustration Located in Next Column

1 Panel, Cowl Plenum	C2S020980	#.6	53.00
<i>#Includes R&amp;I/R&amp;R Wiper Arms</i>			
2 Shield, Cowl	C2S033645		d14.55
3 Seal, Cowl	R C2S040677		7.10
	L C2S018091		1.40
4 Seal, Plenum Panel	R/L C2S005832		1.70
5 Retainer, Plenum Panel (5)	C2S013233		1.70



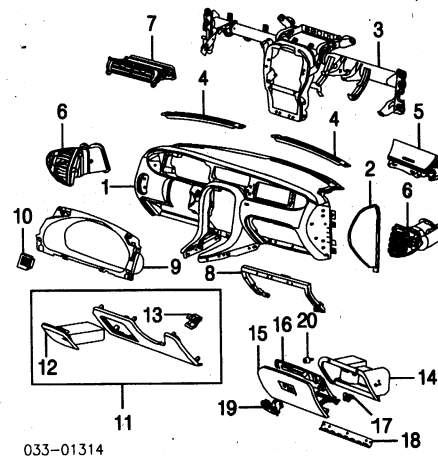
033-01649

## INSTRUMENT PANEL

Use Procedure Explanation 14 with the following text.

R&I Instrument Panel Assy.....	m	4.7
--------------------------------	---	-----

NOTE: All Parts in this section are included in R&R Instrument Panel unless noted otherwise.



033-01314

1 Panel, Instrument				
Champagne/Mocha Charcoal	C2S042407AMC	m	7.2	945.00
To VIN D55321	C2S023337LEG	m	7.2	805.00
From VIN D55322	C2S042407LEG	m	7.2	945.00
Charcoal/Champagne	C2S030676LJG	m	7.2	740.00
Charcoal/Dove	C2S023337LHN	m	7.2	825.00
Charcoal/Ivory	C2S014984GJ	m	7.2	815.00
Charcoal/Sand	C2S023337LHP	m	7.2	825.00
Charcoal/Stone	C2S030676LJF	m	7.2	1030.00
Granite/Dove	C2S023337LHH	m	7.2	825.00
Ivory/Mocha	C2S042407AMD	m	7.2	945.00
Sable/Ivory	C2S023337AES	m	7.2	825.00
Sable/Sand	C2S023337ADZ	m	7.2	825.00
2 Cover, Side Inst Panel				
Champagne	R C2S005504SEL	.2	56.00	
	L C2S033524SEL	.2	56.00	
Charcoal	R C2S005504LEG	.2	47.70	
	L C2S005503LEG	.2	47.00	
Dove	R C2S005504LHJ	.2	47.00	
	L C2S005503LHJ	.2	47.00	
Ivory	R C2S005504NED	.2	47.00	
	L C2S005503NED	.2	47.00	
Sand	R C2S005504ADX	.2	47.00	
	L C2S033524ADX	.2	36.90	
Stone	R C2S005504LIE	.2	56.00	
	L C2S005503LIE	.2	56.00	
3 Reinf, Instrument Panel				
To VIN C01948	C2S020426	#.5	510.00	
From VIN C01949 to VIN D05597	C2S020426	#.5	510.00	
From VIN D05598 to VIN D45141	C2S026153	#.5	630.00	
From VIN D45142 to VIN D55321	C2S029659	#.5	600.00	
From VIN D55322	C2S035145	#.5	570.00	
<i>#w/Instrument Panel Removed, Not Included in R&amp;R Instrument Panel</i>				
4 Grille, Defroster				
Charcoal	R C2S026482LEG		25.50	
	L C2S036956LEG		39.80	
Mocha	R C2S026482AMB		23.85	
	L C2S036956AMB		39.80	
Granite	R C2S026482LGP		25.50	
	L C2S036956LGP		39.80	
Sable	R C2S026482AEK		25.50	
	L C2S036956AEK		39.80	
5 Module, Pass Air Bag-See Air Bag System Section				
6 Vent, Outer	R C2S027521	.2	67.75	
	L C2S027523	.2	67.75	
7 Vent, Center	C2S032925	.2	86.50	
8 Frame, Glove Box Opng	C2S026487		55.15	
9 Bezel, Instrument Cluster	C2S016712LEG	.3	61.90	
10 Grille, Aspirator				
Champagne	C2S017788SEL	.2	3.15	
Charcoal	C2S017788LEG	.2	2.65	



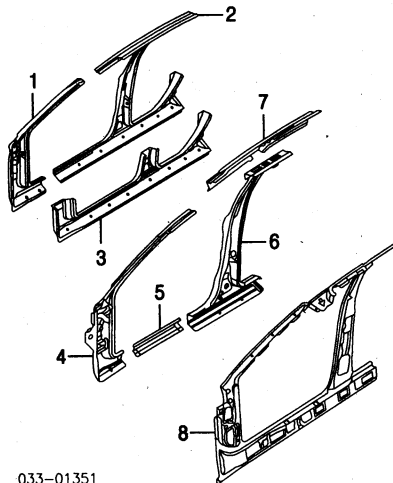
# JAGUAR X-TYPE 2002-05

## ROCKER/PILLARS/FLOOR

Use Procedure Explanations 14, 15 and 28 with the following text.

### SHEET METAL SEDAN

Refinish Hinge Pillar.....	R/L	1.0
Refinish Center Pillar.....	R/L	1.0
Refinish Outer Rocker Panel.....	R/L	1.6

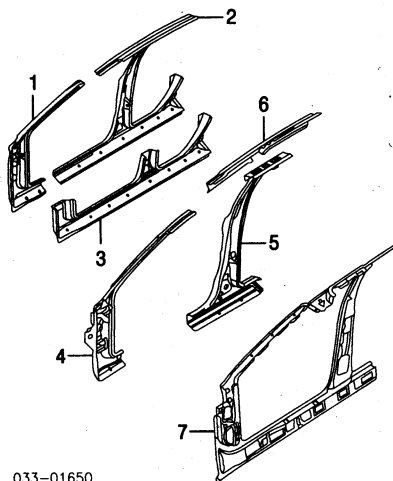


033-01351

<b>1 Pillar, Hinge</b> To VIN D55321	R C2S027748	s	9.0	124.50
	L C2S027750	s	9.0	124.50
From VIN D55322	R C2S027748	s	9.0	124.50
	L C2S027750	s	9.0	124.50
<b>2 Pillar, Center</b> To VIN D55321	R C2S027744	s	6.0	127.50
	L C2S027745	s	6.0	102.05
From VIN D55322	R C2S027744	s	6.0	127.50
	L C2S027745	s	6.0	102.05
<b>3 Panel, Outer Rocker</b>	R/L C2S027751-2	s	8.0	288.00
<b>4 Reinf, Hinge Pillar</b> To VIN C14799	R/L C2S010072-3	s	3.5	223.55
	R C2S034859	s	3.5	433.00
	L C2S034861	s	3.5	433.00
From VIN D42150	R C2S034859	s	3.5	433.00
	L C2S034861	s	3.5	433.00
<b>5 Reinf, Rocker Panel</b> To VIN D55321	R C2S027348	s	2.0	49.05
	L C2S027349	s	2.0	68.75
From VIN D55322	R C2S027348	s	2.0	49.05
	L C2S027349	s	2.0	68.75
<b>6 Reinf, Center Pillar</b>	R/L C2S010074-5	s	2.5	189.45
<b>7 Reinf, Roof Rail</b> To VIN D04829	R/L C2S023677-8			94.45
	R/L C2S023677-8			94.45
From VIN D04830	R/L C2S014281-2	s	19.5	131.55
From VIN D55322	R/L C2S029238-9	s	19.5	164.30

### SHEET METAL WAGON

Refinish Hinge Pillar.....	R/L	1.0
Refinish Center Pillar.....	R/L	1.0
Refinish Outer Rocker Panel.....	R/L	1.6

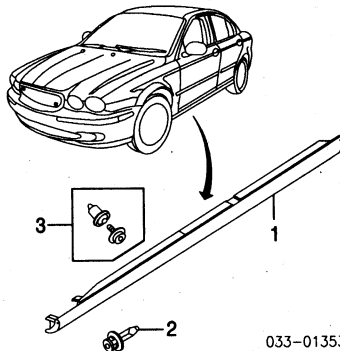


033-01650

<b>1 Pillar, Hinge</b>	R C2S027748	s	9.0	124.50
	L C2S027750	s	9.0	124.50
<b>2 Pillar, Center</b>	R/L C2S030911-2	s	6.0	127.50
<b>3 Panel, Outer Rocker</b>	R/L C2S030909-10	s	8.0	288.00
<b>4 Reinf, Hinge Pillar</b>	R C2S034859	s	3.5	433.00
	L C2S034861	s	3.5	433.00
<b>5 Reinf, Center Pillar</b>	R/L C2S034596-7	s	2.5	162.10
<b>6 Reinf, Roof Rail</b>	R/L C2S019622-3			94.20
<b>7 Frame, Door</b>	R/L C2S029238-9	s	19.5	164.30

### EXTERIOR TRIM

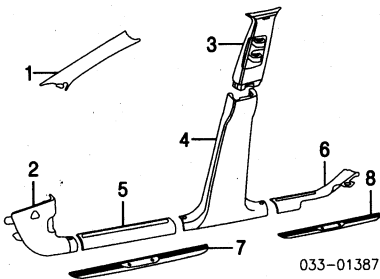
Refinish Lower Rocker Moulding.....	R/L	1.0
R&L Lower Rocker Moulding.....	R/L	.5



033-01353

<b>1 Moulding, Lower Rocker (P)</b>	R C2S001143XXX	.5	240.85
	L C2S001144XXX	.5	240.85
(P) Paint to Match			
<b>2 Retainer, Push-In</b>	R/L C2S009354	.55	
<b>3 Clip, Rocker Moulding</b>	R/L C2C008963	1.05	
*As Required			

### INTERIOR TRIM SEDAN



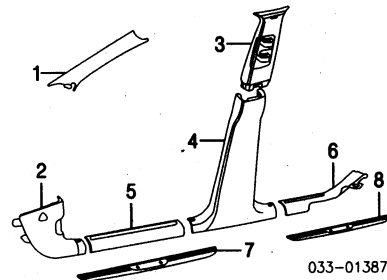
033-01387

<b>1 Finisher, Windshield-See Windshield Section</b>				
<b>2 Trim, Lower Pillar</b>	R C2S001202LEG	.2	33.55	
	L C2S001204LEG	.2	33.55	
	R C2S001202LGP	.2	33.55	
	L C2S001204LGP	.2	33.55	
	R C2S001202AMB	.2	36.65	
	L C2S001204AMB	.2	36.65	
	R C2S001202AEK	.2	33.55	
	L C2S001204AEK	.2	33.55	
<b>3 Trim, Uptr Center Pillar</b>				
Champagne	R C2S035419SEL	.4	83.45	
	L C2S035420SEL	.4	83.45	
From VIN D67647	R C2S035419SEL	.4	83.45	
	L C2S035420SEL	.4	83.45	
Charcoal	R C2S035419LEG	.4	83.45	
	L C2S035420LEG	.4	83.45	
From VIN D67647	R C2S035419LEG	.4	83.45	
	L C2S035420LEG	.4	83.45	
Gray	R C2S035419LFJ	.4	83.45	
	L C2S035420LFJ	.4	83.45	
Oatmeal	R C2S035419AGD	.4	83.45	
	L C2S035420AGD	.4	83.45	
Sand	R C2S035419ADX	.4	83.45	
	L C2S035420ADX	.4	83.45	
<b>4 Trim, Lwr Center Pillar</b>				
Charcoal	R C2S022703LEG	.3	76.45	
	L C2S022704LEG	.3	76.45	
Dove	R C2S022703LHJ	.3	76.45	
	L C2S022704LHJ	.3	76.45	
Ivory	R C2S022703NED	.3	76.45	
	L C2S022704NED	.3	76.45	
Mocha	R C2S022703AMB	.3	76.15	
	L C2S022704AMB	.3	76.15	
Sand	R C2S022703ADX	.3	76.45	
	L C2S022704ADX	.3	76.45	
<b>5 Plate, Front Inner Sill</b>				
Charcoal	R/L C2S017770LEG	.2	22.55	
Granite	R/L C2S017770LGP	.2	22.55	
Mocha	R/L C2S017770AMB	.2	24.10	
Sable	R/L C2S017770AEK	.2	22.55	
<b>6 Plate, Rear Inner Sill</b>				

Charcoal	R C2S020571LEG	.2	22.20
	L C2S020572LEG	.2	22.20
Granite	R C2S020571LGP	.2	22.20
	L C2S020572LGP	.2	22.20
Mocha	R C2S020571AMB	.2	20.20
	L C2S020572AMB	.2	20.20
Sable	R C2S020571AEK	.2	22.20
	L C2S020572AEK	.2	22.20

<b>7 Plate, Front Scuff</b>			
Bright Finish	R/L C2S008817	.2	48.70
Satin Finish	R/L C2S035979	.2	42.55
<b>8 Plate, Rear Scuff</b>			
Bright Finish	R/L C2S021622	.2	91.05
Satin Finish	R/L C2S029662	.2	83.30

### INTERIOR TRIM WAGON



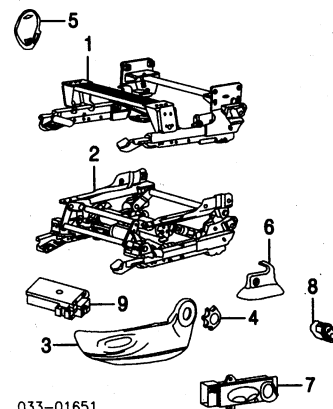
033-01387

<b>1 Finisher, Windshield-See Windshield Section</b>			
<b>2 Trim, Lower Pillar</b>			
Charcoal	R C2S001202LEG	.2	33.55
	L C2S001204LEG	.2	33.55
Mocha	R C2S001202AMB	.2	36.65
	L C2S001204AMB	.2	36.65
<b>3 Trim, Uptr Center Pillar</b>			
Champagne	R C2S035419SEL	.4	83.45
	L C2S035420SEL	.4	83.45
Charcoal	R C2S035419LEG	.4	83.45
	L C2S035420LEG	.4	83.45
Gray	R C2S035419LFJ	.4	83.45
	L C2S035420LFJ	.4	83.45
<b>4 Trim, Lwr Center Pillar</b>			
Charcoal	R C2S022703LEG	.3	76.45
	L C2S022704LEG	.3	76.45
Mocha	R C2S022703AMB	.3	76.15
	L C2S022704AMB	.3	76.15
<b>5 Plate, Front Inner Sill</b>			
Charcoal	R/L C2S017770LEG	.2	22.55
Mocha	R/L C2S017770AMB	.2	24.10
<b>6 Plate, Rear Inner Sill</b>			
Charcoal	R C2S020571LEG	.2	22.20
	L C2S020572LEG	.2	22.20
Mocha	R C2S020571AMB	.2	20.20
	L C2S020572AMB	.2	20.20
<b>7 Plate, Front Scuff</b>			
Bright Finish	R/L C2S008817	.2	48.70
Satin Finish	R/L C2S035979	.2	42.55
<b>8 Plate, Rear Scuff</b>			
Bright Finish	R/L C2S021622	.2	91.05
Satin Finish	R/L C2S029662	.2	83.30

### FRONT SEAT

Use Procedure Explanation 30 with the following text.

R&L Front Seat.....	R/L	.6
---------------------	-----	----



033-01651

<b>Adjuster, Seat</b>			
<b>1 Manual Passenger Side Driver Side</b>	C2S034008	#.9	995.00
	C2S020622	#.9	1120.00
<b>2 Power Memory Passenger Side Driver Side w/o Memory</b>	C2S033951	#.9	1030.00
	C2S033952	#.9	1030.00





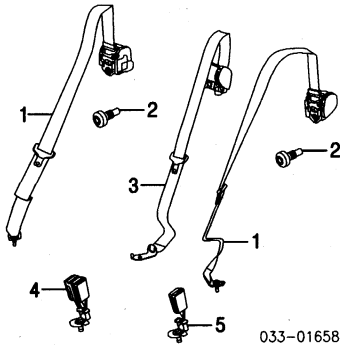












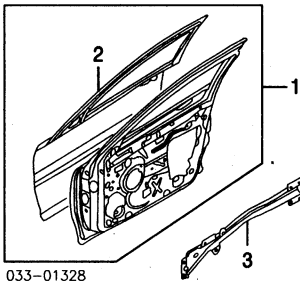
033-01658

**FRONT DOOR**

Use Procedure Explanations 16 and 28 with the following text.

**SHEET METAL**

Refinish Door Outside.....	R/L	2.1
Add for Jambas & Interior.....	R/L	1.0
Add for Jambas.....	R/L	.5
R&I Door Assy.....	R/L	1.0

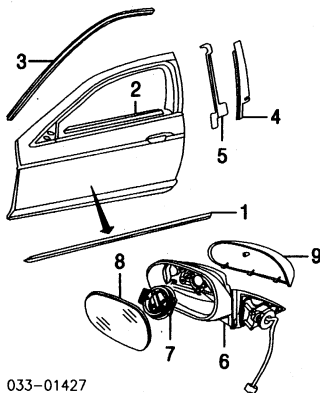


033-01328

<b>1 Shell Assy, Door</b>			
Sedan	R/L C2S021952-3	#6.0	520.00
Wagon	R/L C2S021952-3	#6.0	520.00
<b>#Includes R&amp;I Mirror Assy</b>			
<b>2 Panel, Door Repair</b>			
Sedan			
To VIN C14182	R C2S033009	#7.5	312.00
	L C2S006395	#7.5	312.00
From VIN C14183 to VIN D51387	R/L C2S033009-10	#7.5	312.00
From VIN D51388	R/L C2S033009-10	#7.5	312.00
Wagon	R/L C2S033009-10	#7.5	312.00
<b>#Included w/Door Shell Assy</b>			
<b>#Includes R&amp;I Mirror Assy &amp; Door Glass</b>			
<b>3 Reinforcement, Door</b>	R/L C2S016585-6		48.15

**EXTERIOR TRIM**

Refinish Side Moulding.....	R/L	.5
Refinish Mirror Cover.....	R/L	.5
R&I Outer Belt Moulding.....	R/L	#1.3
<b>#Includes R&amp;I Mirror Assy</b>		
R&I Mirror Assy.....	R/L	#1.0
<b>#Includes R&amp;I Trim Panel &amp; Window Frame Trim</b>		



033-01427

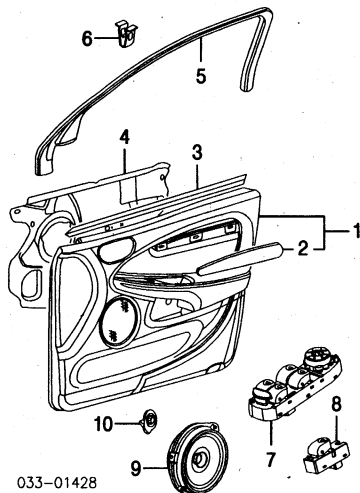
<b>1 Moulding, Side (Adhesive) (P)</b>	R C2S002929XXX	.4	64.25
	L C2S002930XXX	.4	64.25
<b>(P) Paint to Match</b>			
<b>2 Moulding, Outer Belt</b>	R C2S042735	#.3	35.05
	L C2S040671	#.3	35.05
<b>#w/Mirror Assy Removed</b>			
<b>3 Moulding, Inner</b>			

Sedan			
Black			
High Gloss Finish	R C2S025228	.4	77.75
	L C2S025230	.4	77.75
Low Gloss Finish	R/L C2S029614-5	.4	81.45
Chrome	R C2S025227	.4	77.75
	L C2S025229	.4	77.75
Wagon			
Black			
Chrome	R C2S025228	.4	77.75
	L C2S025230	.4	77.75
	R C2S025227	.4	77.75
	L C2S025229	.4	77.75
<b>4 Moulding, Rear</b>			
High Gloss	R/L C2S029550-1	.3	54.65
Low Gloss	R/L C2S029612-3	.3	46.00
<b>5 Insulator, Rear Moulding</b>			
To VIN D39879	R C2S025235	11.45	
	L C2S034622	10.20	
From VIN D39880 to VIN D88449	R C2S028886	11.00	
	L C2S034622	10.20	
From VIN D88450	R/L C2S034621-2	10.20	
<b>6 Mirror, Outside</b>			
w/Power Park Option			
3 Wire			
To VIN E14254	R C2S039090	#1.2	380.00
	L C2S039092	#1.2	380.00
From VIN E14255	R C2S039090	#1.2	380.00
	L C2S039092	#1.2	380.00
6 Wire	R/L C2S028884-5	#1.2	233.30
w/o Power Park Option			
3 Wire	R C2S039086	#1.2	277.00
	L C2S039088	#1.2	277.00
6 Wire	R/L C2S028882-3	#1.2	130.85
<b>#Includes R&amp;I Trim Panel &amp; Window Frame Trim</b>			
<b>7 Motor, Mirror</b>	R/L C2S011774		56.00
<b>8 Glass, Mirror</b>			
Flat	R/L C2S011775		38.20
Convex			
w/Warning System	R/L C2S011777		43.55
w/o Warning System	R/L C2S011776		42.45
<b>9 Cover, Mirror</b>			
Chrome	R C2C009189		87.50
	L C2C009191		87.50
Paint to Match			
To VIN E14254	R C2S039140XXX		45.90
	L C2S039141XXX		45.90
From VIN E14255	R C2S039140XXX		45.90
	L C2S039141XXX		45.90

**INTERIOR TRIM**

R&I Trim Panel.....	R/L	.4
---------------------	-----	----

NOTE: All Parts in this section are included in R&I Trim Panel unless noted otherwise.



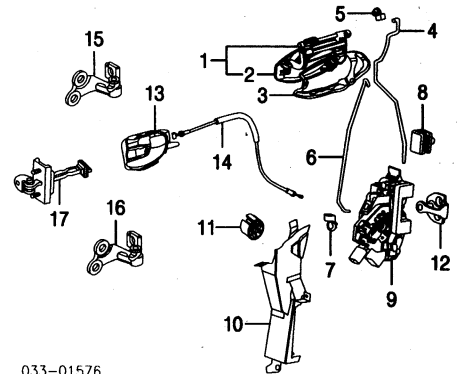
033-01428

<b>1 Panel Assy, Trim</b>	R/L C2S013495-6	.6	1180.00
<b>#Order by Application</b>			
<b>2 Trim, Woodgrain (a)</b>			
Maple	R/L C2S008289-90		90.45
Pommelle	R C2S025925		67.70
	L C2S025928		67.70
Veneer	R/L C2S030204-5		67.70
Walnut	R/L C2S031034-5		67.70
<b>(a) Included w/Trim Panel Assy</b>			
<b>3 Moulding, Inner Belt</b>	R/L C2S038974		33.90
<b>4 Shield, Moisture</b>			
To VIN C01637	R C2S006335	#	35.80
	L C2S006336	#	35.25
From VIN C01638 to VIN C06087	R/L C2S016843-4	#	0.00
From VIN C06088	R/L C2S025272-3	#	48.15
<b>5 Trim, Window Frame</b>	R/L C2S025055-6	#.3	59.95
<b>#w/Trim Panel Removed, Not Included in R&amp;I Trim Panel</b>			
<b>6 Retainer, Window Trim</b>	R/L C2S011608		1.05
<b>#As Required</b>			
<b>7 Switch, Master</b>			
w/Memory Mirror			
Man Rear Windows			
To VIN D25574	L C2S002184		123.15
From VIN D25575	L C2S027574		117.85

<b>Pwr Rear Windows</b>			
To VIN D87439	L C2S027572		117.85
From VIN D87440	L C2S038406		111.05
w/o Memory Mirror			
Man Rear Windows	L C2S027573		117.85
Pwr Rear Windows			
To VIN D87439	L C2S027571		117.85
From VIN D87440	L C2S038405		111.05
	R C2S002174		32.90
<b>8 Switch, Window Lamp Assy, Door</b>			
To VIN D01807	R/L C2S013499		13.35
From VIN D01808	R/L C2S020577		25.25
<b>Bulb, Door Lamp (b)</b>	R/L LNA5180AA		2.55
<b>(b) Included w/Door Lamp Assy</b>			
<b>9 Speaker, Door</b>			
To VIN C40159	R/L C2S004245	#.2	82.15
From VIN C40160	R/L C2S020400	#.2	d86.30
<b>10 Speaker, Tweeter</b>			
To VIN D40219	R/L C2C021747-8	#.2	59.25
From VIN D40220	R/L C2C021747-8	#.2	59.25
<b>#w/Trim Panel Removed, Not Included in R&amp;I Trim Panel</b>			

**HARDWARE**

Refinish Outside Handle.....	R/L	.4
Refinish Upper Door Hinge.....	R/L	.2
Refinish Lower Door Hinge.....	R/L	.2
R&I Outside Handle.....	R/L	#1.8
<b>#Includes R&amp;I Trim Panel &amp; Door Glass</b>		



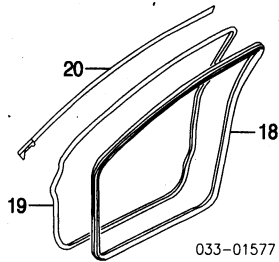
033-01576

<b>1 Handle Assy, Outside (P)</b>	R C2S029222XXX	#.4	111.25
	L C2S029221XXX	#.4	111.25
<b>(P) Paint to Match</b>			
<b>#w/Trim Panel &amp; Door Glass Removed</b>			
<b>2 Gasket, Handle (a)</b>	R/L C2S021270		2.65
<b>(a) Included w/Outside Handle Assy</b>			
<b>3 Bracket, Outside Handle</b>			
To VIN D66216	R C2S014294		15.40
	L C2S008830		16.20
From VIN D66217	R C2S014294		15.40
	L C2S034536		14.75
<b>4 Rod, Outside Handle</b>	R C2S010307		19.20
	L C2S010309		19.20
<b>5 Clip, Rod Cylinder, Door Lock (a)</b>			
To VIN D40471	L C2S005950	#.4	100.20
From VIN D40472	L C2S022452	#.4	83.10
<b>#w/Trim Panel &amp; Door Glass Removed, Included in R&amp;I Outside Handle Assy</b>			
<b>Lever, Lock Control (a)</b>	C2S009352		6.45
<b>(a) Included w/Complete Lock Set-listed in Steering Wheel/Column Section</b>			
<b>6 Rod, Lock</b>	L C2S010315		16.75
<b>7 Clip, Lock Rod</b>	L C2S020461		2.75
<b>8 Clip, Retaining</b>	R/L C2S035117		2.75
<b>9 Latch, Door</b>			
w/Dead Locking	R/L C2S041884-5	#.3	165.50
w/o Dead Locking	R/L C2S041886-7	#.3	165.50
<b>#w/Trim Panel Removed</b>			
<b>10 Shield, Door Latch</b>	L C2S026200		34.10
<b>11 Shield, Door Lock</b>	L C2S012078		22.30
<b>12 Striker, Door Lock</b>	R/L C2C019760		19.45
<b>13 Handle, Inside</b>			
To VIN C11361	R C2S007068	#.2	84.75
	L C2S007070	#.2	d80.60
From VIN C11362	R/L C2S020236-7	#.2	d77.80
<b>#w/Trim Panel Removed</b>			
<b>14 Cable, Inside Handle</b>	R/L C2S025823		19.60
<b>15 Hinge, Upper Door</b>			
To VIN C09641	R C2S020396	#.5	39.75
	L C2S020391	#.5	39.75
From VIN C09642	R C2S020396	#.5	39.75
	L C2S020391	#.5	39.75
<b>16 Hinge, Lower Door</b>			
To VIN C09641	R C2S020396	#.5	39.75
	L C2S020391	#.5	39.75
From VIN C09642	R C2S020396	#.5	39.75
	L C2S020391	#.5	39.75
<b>#w/Door Assembly Removed</b>			
<b>17 Check, Door</b>			
To VIN D96084	R/L C2S035912	#.2	20.15
From VIN D96085	R/L C2S035912	#.2	20.15
<b>#w/Trim Panel Removed</b>			

# JAGUAR X-TYPE 2002-05

## FRONT DOOR Cont'd

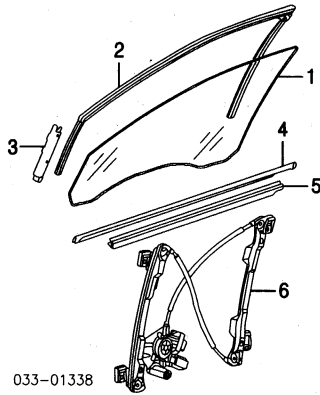
### HARDWARE Cont'd



033-01577

<b>Weatherstrip</b>			
18 On Door			
To VIN D20013	R/L C2S025571	.6	47.85
From VIN D20014	R/L C2S025571	.6	47.85
19 On Body	R/L C2S035276-7	.5	71.75
20 Seal, Upper Door	R C2S039150	.4	44.65
	L C2S039151	.4	40.60

### GLASS & PARTS



033-01338

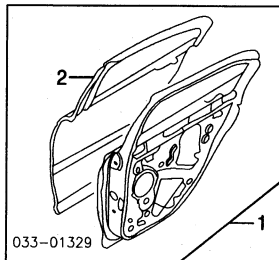
<b>1 Glass, Front Door</b>			
Jaguar	R C2S005435	1.4	157.20
	L C2S005437	1.4	157.20
NAGS	R FD21495GTN	1.4	182.25
	L FD21496GTN	1.4	182.25
<b>2 Channel, Glass</b>			
To VIN C08469	R/L C2S034472-3	#.2	64.20
From VIN C08470	R/L C2S034472-3	#.2	64.20
<b>#w/Glass Removed</b>			
<b>3 Retainer, Glass Channel</b>			
To VIN C08469	R C2S010983		9.25
	L C2S010984		12.50
From VIN C08470	R/L C2S017700-1		15.75
<b>4 Moulding, Outer Belt-See Exterior Trim Section</b>			
<b>5 Moulding, Inner Belt-See Interior Trim Section</b>			
6 Regulator, Power	R/L C2S037068-9	#.3	388.00
<b>#Includes Motor</b>			
<b>#w/Glass Removed</b>			

## REAR DOOR

Use Procedure Explanations 16 and 28 with the following text.

### SHEET METAL SEDAN

Refinish Door Outside.....	R/L	2.0
Add for Jamb's & Interior.....	R/L	1.0
Add for Jamb's.....	R/L	.5
R&I Door Assy.....	R/L	1.0



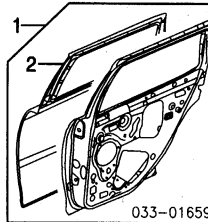
033-01329

1 Shell Assy, Door

To VIN D25025	R/L C2S040467-8	6.0	495.00
From VIN D25026	R/L C2S040467-8	6.0	495.00
<b>2 Panel, Door Repair</b>			
To VIN D25025	R/L C2S040471-2	#7.5	302.00
From VIN D25026	R/L C2S040471-2	#7.5	302.00
<b>#Included w/Door Shell Assy</b>			
<b>#Includes R&amp;I/R&amp;R Door Glass</b>			

### SHEET METAL WAGON

Refinish Door Outside.....	R/L	2.0
Add for Jamb's & Interior.....	R/L	1.0
Add for Jamb's.....	R/L	.5
R&I Door Assy.....	R/L	1.0

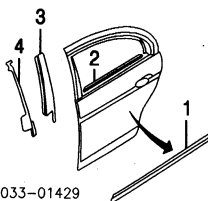


033-01659

1 Shell Assy, Door	R/L C2S040470-69	6.0	495.00
2 Panel, Door Repair	R C2S040473	#7.5	302.00
	L C2S019515	#7.5	302.00
<b>#Included w/Door Shell Assy</b>			
<b>#Includes R&amp;I/R&amp;R Door Glass</b>			

### EXTERIOR TRIM SEDAN

Refinish Side Moulding.....	R/L	.5
R&I Outer Belt Moulding.....	R/L	.3

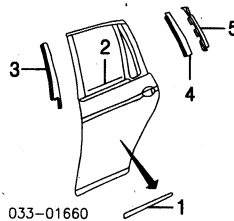


033-01429

1 Moulding, Side (Adhesive) (P)	R C2S002931XXX	.4	64.25
	L C2S002932XXX	.4	64.25
<b>(P) Paint to Match</b>			
2 Moulding, Outer Belt	R/L C2S042737-8	.3	24.30
3 Moulding, Front	R/L C2S025565-6	.3	56.75
High Gloss	R/L C2S029610-1	.3	45.35
Low Gloss			
4 Insulator, Front Moulding			
To VIN D39879	R C2S023452		11.45
	L C2S028889		11.00
From VIN D39880 to VIN D88449	R/L C2S028888-9		11.00
From VIN D88450	R/L C2S034623-4		10.20

### EXTERIOR TRIM WAGON

Refinish Side Moulding.....	R/L	.5
R&I Outer Belt Moulding.....	R/L	.3



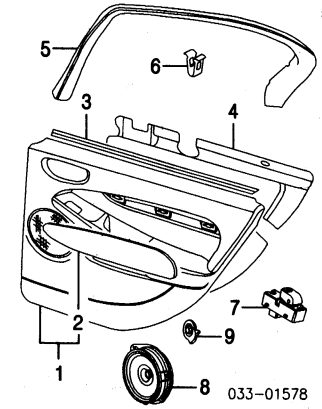
033-01660

1 Moulding, Side (Adhesive) (P)	R C2S002931XXX	.4	64.25
	L C2S002932XXX	.4	64.25
<b>(P) Paint to Match</b>			
2 Moulding, Outer Belt	R/L C2S042737-8	.3	24.30
3 Moulding, Front	R/L C2S020083-4	.3	43.75
4 Moulding, Rear	R/L C2S020681-2	.3	47.70
5 Insulator, Rear Moulding	R/L C2S032973-4		11.20

### INTERIOR TRIM

R&I Trim Panel.....	R/L	.4
---------------------	-----	----

**NOTE: All Parts in this section are included in R&R Trim Panel unless noted otherwise.**



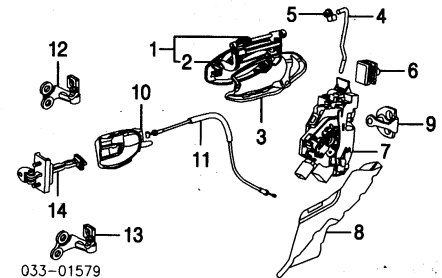
033-01578

1 Panel Assy, Trim	R/L C2S013497-8	.6	1100.00
<b>#Order by Application</b>			
<b>2 Trim, Woodgrain (a)</b>			
Maple	R/L C2S008289-90		90.45
Pommelle	R C2S025925		67.70
	L C2S025928		67.70
Veneer	R/L C2S030204-5		67.70
Walnut	R/L C2S031034-5		67.70
<b>(a) Included w/Trim Panel Assy</b>			
3 Moulding, Inner Belt	R C2S038975		33.90
	L C2S017314		34.40
<b>#Order by Application</b>			
<b>4 Shield, Moisture</b>			
To VIN C01637	R C2S006333	#	36.00
	L C2S006334	#	35.80
From VIN C01638	R/L C2S025270-1	#	48.15
<b>5 Trim, Window Frame</b>			
Sedan	R/L C2S022708-9	#.3	60.55
Wagon	R/L C2S019635-6	#.3	60.55
<b>#w/Trim Panel Removed, Not Included in R&amp;R Trim Panel</b>			
6 Retainer, Window Trim	R/L C2S011608		1.05
<b>#As Required</b>			
7 Switch, Window	R/L C2S002174		32.90
8 Speaker, Door			
To VIN C40159	R/L C2S004245	#.2	82.15
From VIN C40160	R/L C2S020400	#.2	86.30
9 Speaker, Tweeter			
To VIN D40219	R/L C2C021747	#.2	59.25
From VIN D40220	R/L C2C021747	#.2	59.25
<b>#w/Trim Panel Removed, Not Included in R&amp;R Trim Panel</b>			

### HARDWARE

Refinish Outside Handle.....	R/L	.4
Refinish Upper Door Hinge.....	R/L	.2
Refinish Lower Door Hinge.....	R/L	.2
R&I Outside Handle.....	R/L	#.8

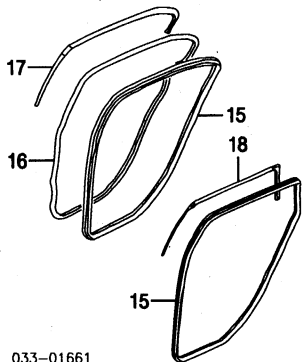
**#Includes R&I Trim Panel**



033-01579

1 Handle Assy, Outside (P)	R C2S029222XXX	#.4	111.25
	L C2S029223XXX	#.4	111.25
<b>(P) Paint to Match</b>			
<b>#w/Trim Panel Removed</b>			
2 Gasket, Handle	R/L C2S021270		2.65
<b>#Included w/Outside Handle Assy</b>			
<b>3 Bracket, Outside Handle</b>			
To VIN D66216	R C2S014294		15.40
	L C2S008830		16.20
From VIN D66217	R C2S014294		15.40
	L C2S034536		14.75
4 Rod, Outside Handle	R/L C2S04022-3		22.90
5 Clip, Rod	R/L C2S008834		.90
6 Clip, Retaining	R/L C2S035117		2.75
<b>7 Latch, Door</b>			
w/Dead Locking	R/L C2S041888-9	#.3	165.50
w/o Dead Locking	R/L C2S041890-1	#.3	165.50
<b>#w/Trim Panel Removed</b>			
<b>8 Shield, Door Latch</b>			
To VIN C79293	R C2S022189		8.80
	L C2S017829		8.80
From VIN C79294	R/L C2S022189-90		8.80
9 Striker, Door Lock	R/L C2C019760		19.45
<b>10 Handle, Inside</b>			
To VIN C11361	R C2S007069	#.3	84.75
	L C2S007071	#.3	84.75

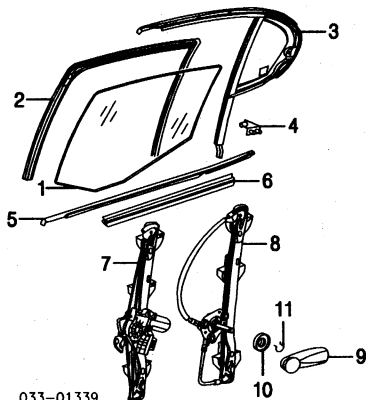
From VIN C11362	R/L	C2S020230-1	#.3	81.80
<b>#w/Trim Panel Removed</b>				
11 Cable, Inside Handle	R/L	C2S025824		19.20
12 Hinge, Upper Door	R	C2S009370	#.5	42.90
To VIN C068045	L	C2S038553	#.5	39.10
From VIN C068046	R/L	C2S038552-3	#.5	39.10
13 Hinge, Lower Door	R	C2S009370	#.5	42.90
To VIN C09641	L	C2S038553	#.5	39.10
From VIN C09642	R/L	C2S038552-3	#.5	39.10
<b>#w/Door Assembly Removed</b>				
14 Check, Door	R/L	C2S035913	#.2	20.15
To VIN D96084	R/L	C2S035913	#.2	20.15
From VIN D96085	R/L	C2S035913	#.2	20.15
<b>#w/Trim Panel Removed</b>				



033-01661

<b>Weatherstrip</b>				
15 On Door				
Sedan				
To VIN D20013	R/L	C2S025572	.5	47.85
From VIN D20014	R/L	C2S025572	.5	47.85
Wagon	R/L	C2S019503	.5	47.85
16 On Body				
Sedan	R/L	C2S035278-9	.5	71.75
17 Seal, Upper Door				
Sedan	R/L	C2S039152-3	.3	33.40
Wagon	R/L	C2S019482-3	.3	56.60

### GLASS & PARTS SEDAN

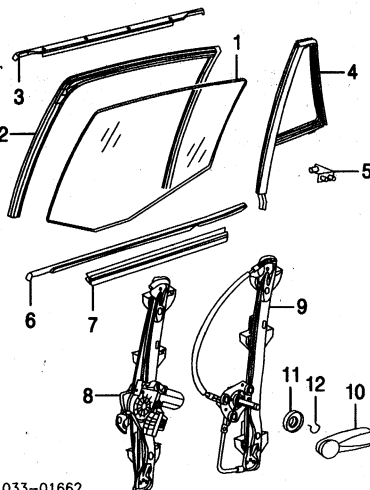


033-01339

1 Glass, Rear Door				
Jaguar	R/L	C2S001661-2	1.7	157.20
NAGS	R	FD21497GTN	1.7	180.85
	L	FD21498GTN	1.7	180.85
2 Channel, Glass	R/L	C2S027532-3	#.3	67.95
<b>#w/Glass Removed</b>				
3 Glass, Rear Door Vent				
Jaguar				
Black				
High Gloss	R	C2S024710	#1.3	211.05
	L	C2S024712	#1.3	211.05
Low Gloss	R/L	C2S029608-9	#1.3	210.00
Chrome	R	C2S024709	#1.3	211.05
	L	C2S024711	#1.3	211.05
NAGS	R	FV21500GTY	#1.3	604.90
	L	FV21501GTY	#1.3	604.90
<b>#Included in R&amp;R Door Glass</b>				
4 Bracket, Vent Glass	R/L	C2S005833		12.30
5 Moulding, Outer Belt-See Exterior Trim Section				
6 Moulding, Inner Belt-See Interior Trim Section				
7 Regulator, Power]	R	C2S037071	#.7	300.00
	L	C2S037073	#.7	301.00
<b>#Includes Motor</b>				
8 Regulator, Manual				
To VIN C07999	R	C2S010458	#.6	266.00
	L	C2S037072	#.6	301.00
From VIN C08000 to VIN C88214	R	C2S037070	#.6	301.00
	L	C2S037072	#.6	301.00

To VIN C89215	R	C2S037070	#.6	301.00
	L	C2S037072	#.6	301.00
<b>#w/Trim Panel Removed</b>				
9 Handle, Regulator				
Champagne	R/L	C2S017244SEL		37.80
Charcoal	R/L	C2S017244LEG		38.40
To VIN C04514	R/L	C2S017244LEG		37.80
From VIN C04515	R/L	C2S017244LEG		37.80
Dove	R/L	C2S001142LHJ		37.80
To VIN C04514	R/L	C2S001142LHJ		37.80
From VIN C04515	R/L	C2S017244LHJ		37.80
Ivory	R/L	C2S001142NED		35.20
To VIN C04514	R/L	C2S017244NED		37.80
From VIN C04515	R/L	C2S017244NED		37.80
Sand	R/L	C2S001142ADX		38.40
To VIN C04514	R/L	C2S017244ADX		37.80
From VIN C04515	R/L	C2S017244LJE		37.80
Stone	R/L	C2S017244LJE		37.80
10 Washer, Regulator Handle				
Champagne	R/L	C2S005468SEL		11.65
Charcoal	R/L	C2S005468LEG		12.75
Dove	R/L	C2S005468LHJ		12.75
Ivory	R/L	C2S005468NED		12.75
Sand	R/L	C2S005468ADX		12.75
Stone	R/L	C2S005468LJE		11.65
11 Retainer, Regulator Handle	R/L	C2S013262		1.60

### GLASS & PARTS WAGON



033-01662

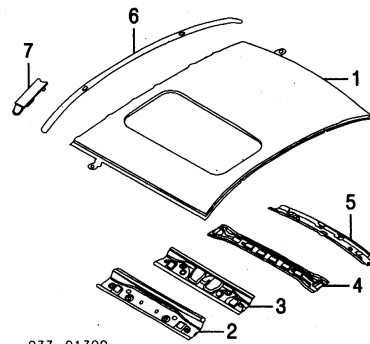
1 Glass, Rear Door				
Jaguar	R/L	C2S019486-7	1.7	137.55
NAGS	R/L	N.A.	1.7	0.00
2 Channel, Glass	R/L	C2S019484-5	#.3	64.20
<b>#w/Glass Removed</b>				
3 Finisher, Upper				
Black	R/L	C2S023197-8		56.90
Chrome	R/L	C2S020683-4		73.10
4 Glass, Rear Door Vent				
Jaguar	R/L	C2S019491-2	#1.3	148.35
NAGS	R/L	N.A.	#1.3	0.00
<b>#Included in R&amp;R Door Glass</b>				
5 Bracket, Vent Glass	R/L	C2S005833		12.30
6 Moulding, Outer Belt-See Exterior Trim Section				
7 Moulding, Inner Belt-See Interior Trim Section				
8 Regulator, Power]	R	C2S037071	#.7	300.00
	L	C2S037073	#.7	301.00
<b>#Includes Motor</b>				
9 Regulator, Manual				
To VIN C07999	R	C2S037070	#.6	301.00
	L	C2S037072	#.6	301.00
<b>#w/Trim Panel Removed</b>				
10 Handle, Regulator				
Champagne	R/L	C2S017244SEL		37.80
Charcoal	R/L	C2S017244LEG		37.80
Ivory	R/L	C2S017244NED		37.80
Stone	R/L	C2S017244LJE		37.80
11 Washer, Regulator Handle				
Champagne	R/L	C2S005468SEL		11.65
Charcoal	R/L	C2S005468LEG		12.75
Ivory	R/L	C2S005468NED		12.75
Stone	R/L	C2S005468LJE		11.65
12 Retainer, Regulator Handle	R/L	C2S013262		1.60

### ROOF

Use Procedure Explanations 17 and 28 with the following text.

### SHEET METAL/EXTERIOR TRIM SEDAN

Refinish Roof Outside		2.8
Refinish Roof Moulding	R/L	.6

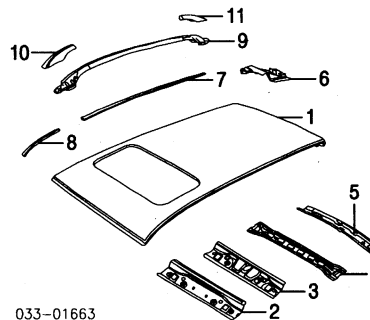


033-01320

1 Panel, Roof				
w/Sunroof	C2S041396	24.5	675.00	
w/o Sunroof	C2S042311	21.5	685.00	
2 Panel, Front Header	C2S033667	2.0	72.60	
3 Reinf, Front Roof	C2S008947		49.65	
4 Reinf, Rear Roof	C2S006288		57.40	
5 Panel, Rear Header				
To VIN C06262	C2S016162	2.0	90.15	
From VIN C06263	C2S017874	2.0	84.65	
6 Moulding, Roof				
Black Finish	R/L	C2S029606-7	.4	83.60
Paint to Match	R	C2S017600XXX	.4	81.45
	L	C2S017601XXX	.4	81.45
7 Cap, Finisher (2/Side)				
Black Finish	R/L	C2S031080		6.00
Paint to Match	R	C2S020890XXX		10.10
	L	C2S020575XXX		6.95

### SHEET METAL/EXTERIOR TRIM WAGON

Refinish Roof Outside		3.2
Refinish Roof Moulding	R/L	.6
R&I Roof Rack Rail	R/L	.5
R&I Antenna Base		1.6



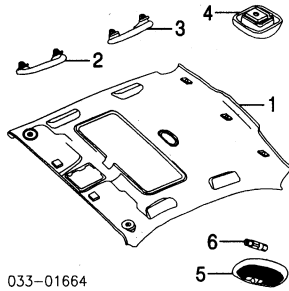
033-01663

1 Panel, Roof				
w/Sunroof	C2S031190	26.5	920.00	
w/o Sunroof	C2S041397	23.5	770.00	
2 Panel, Front Header	N.A.	2.0	0.00	
3 Reinf, Front Roof	N.A.		0.00	
4 Reinf, Rear Roof	N.A.		0.00	
5 Panel, Rear Header	N.A.		0.00	
6 Reinf, Rear Roof	R/L	C2S020183-4	.4	26.90
7 Moulding, Roof	R/L	C2S027603-4	.4	66.60
8 Moulding, Finisher	R/L	C2S027605-6	.2	66.60
9 Rail, Roof Rack				
Black				
To VIN E31377	R	C2S033530	.5	205.85
	L	C2S039011	.5	205.50
From VIN E31378	R	C2S039009	.5	205.50
	L	C2S039011	.5	205.50
Silver				
To VIN E35129	R	C2S039023	.5	233.30
From VIN E35130	L	C2S039012	.5	233.30
	R/L	C2S039600-1	.5	233.30
10 Cover, Front Rail				
Black				
To VIN E35129	R	C2S039602		11.90
	L	C2S020688		11.95
From VIN E35130	R	C2S039602		11.90
	L	C2S039604		11.90
Silver	R	C2S039603		26.75
	L	C2S039605		26.75
11 Cover, Rear Rail				
Black				
To VIN E35129	R/L	C2S020689-90		11.95
From VIN E35130	R	C2S039606		11.90
	L	C2S039608		11.90
Silver	R	C2S039607		26.75
	L	C2S039609		26.75
Antenna, Roof				
w/Emergency Messaging Sys	C2S034570		d15.00	
w/o Emergency Messaging Sys	C2S034569		15.00	
Base, Antenna				
w/Emergency Messaging Sys	C2S034572	1.6	d34.45	
w/o Emergency Messaging Sys	C2S034571	1.6	25.40	

## ROOF Cont'd

### INTERIOR TRIM SEDAN

R&I Headliner	
w/Sunroof	4.5
w/o Sunroof	4.0

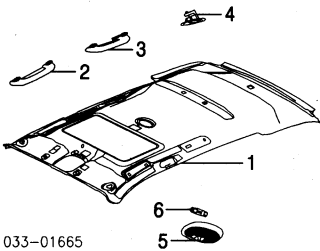


033-01664

<b>1 Headliner</b>			
w/Sunroof			
w/Rear Window Sun Blind			
Gray	C2S025438LFJ	4.5	545.00
Oatmeal	C2S018777AGD	4.5	585.00
w/o Rear Window Sun Blind			
Gray	C2S025440LFJ	4.0	565.00
Oatmeal	C2S025440AGD	4.0	565.00
w/o Sunroof			
w/Rear Window Sun Blind			
Gray	C2S025439LFJ	4.0	540.00
Oatmeal	C2S018777AGD	4.0	585.00
w/o Rear Window Sun Blind			
Gray	C2S025441LFJ	4.0	560.00
Oatmeal	C2S025441AGD	4.0	560.00
<i>†Order by Application</i>			
<b>2 Handle, Front Assist</b>			
Gray	R/L C2S016784LFJ	.2	34.45
Oatmeal	R/L C2S024600AGD	.2	31.85
<b>3 Handle, Rear Assist</b>			
Gray	R/L C2S016785LFJ	.2	35.05
Oatmeal	R/L C2S024601AGD	.2	34.45
<b>4 Cover, Sun Blind</b>			
Gray	R/L HNA1058AALFJ		6.30
Oatmeal	R/L HNA1058AAAGD		6.30
<b>5 Lamp, Room</b>			
	C2S016398		26.05
<b>6 Bulb, Room Lamp</b>			
	C2S013205		2.50

### INTERIOR TRIM WAGON

R&I Headliner	
w/Sunroof	4.5
w/o Sunroof	4.0

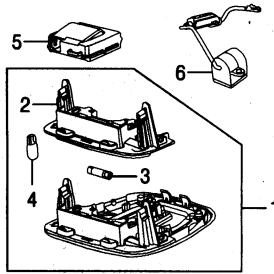


033-01665

<b>1 Headliner</b>			
w/Sunroof			
Champagne	C2S026589SEL	4.5	615.00
Gray	C2S026569LFJ	4.5	615.00
w/o Sunroof			
Champagne	C2S039303SEL	4.0	540.00
Gray	C2S039303LFJ	4.0	535.00
<b>2 Handle, Front Assist</b>			
Champagne	R/L C2S024600SEL	.2	31.85
Gray	R/L C2S024600LFJ	.2	31.85
<b>3 Handle, Rear Assist</b>			
Champagne	R/L C2S024601SEL	.2	31.85
Oatmeal	R/L C2S024601LFJ	.2	34.45
<b>4 Retainer</b>			
Champagne	R C2S032359SEL		9.25
	L C2S032360SEL		9.25
Gray	R C2S032359LFJ		9.25
	L C2S032360LFJ		9.25
<b>5 Lamp, Room</b>			
	C2S016398		26.05
<b>6 Bulb, Room Lamp</b>			
	C2S013205		2.50

### OVERHEAD CONSOLE

R&I Overhead Console			.3
----------------------	--	--	----



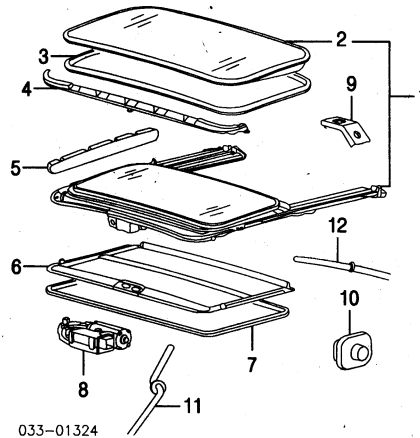
033-01666

<b>1 Console Assy, Overhead</b>			
w/Emergency Messaging Sys			
w/Sunroof	C2S027294LFJ	.3	309.00
w/o Sunroof	C2S020916LFJ	.3	34.00
w/o Emergency Messaging Sys			
w/Sunroof	C2S001163LFJ	.3	40.20
w/o Sunroof	C2S027310LFJ	.3	134.80
<i>†Order by Application</i>			
<b>2 Holder, Bulb (a)</b>	C2S002298		10.40
<b>3 Bulb, Dome Lamp (a)</b>	C2S010346		1.95
<b>4 Bulb, Map Lamp (a)</b>	R/L C2S015950		1.80
<i>(a) Included w/Overhead Console Assy</i>			
<b>5 Module, Garage Door Opener</b>	C2S015952		595.00
<b>6 Microphone</b>	C2S015896		82.40

### SUNROOF

O/H Sunroof Assy		#4.5
<i>#w/Headliner Removed</i>		

NOTE: All Parts in this section are included in overhaul unless noted otherwise.



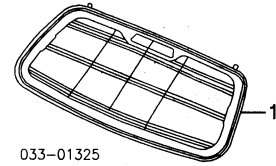
033-01324

<b>1 Track Assy, Sunroof</b>			
Champagne			
To VIN D79851	C2S035998SEL	#4.5	855.00
From VIN D79852	C2S035998SEL	#4.5	855.00
Gray			
To VIN D55321	C2S029578LFJ	#4.5	925.00
From VIN D55322 to VIN D79851	C2S027067LFJ	#4.5	1010.00
From VIN D79852	C2S035998LFJ	#4.5	855.00
Oatmeal			
To VIN C06087	C2S029578AGD	#4.5	925.00
From VIN C06088	C2S029578AGD	#4.5	925.00
<i>#w/Headliner Removed</i>			
<b>2 Glass, Sunroof</b>	C2S004140	#1.2	200.80
<i>†Included w/Sunroof Track Assy</i>			
<b>3 Seal, Glass</b>	C2S011475	#1.2	42.90
<i>#R&amp;R Complete</i>			
<b>4 Deflector, Sunroof</b>	C2S011474		42.25
<b>5 Shield, Sunroof Track</b>	R/L C2S010352-3		11.70
<b>6 Panel, Sunroof Trim</b>			
Gray	C2S041974LFJ		173.60
Oatmeal	C2S004141AGD		152.35
<b>7 Retainer, Sunroof</b>			
Champagne	C2S041973SEL		26.45
Gray	C2S004136LFJ		16.80
Oatmeal	C2S004136AGD		16.80
<b>8 Motor, Sunroof</b>	C2S036219		.9
<b>9 Bracket, Sunroof</b>			
To VIN D67091	R/L C2S007094		22.35
From VIN D67092	R/L C2S034445		3.15
<b>10 Grommet, Drain Hose</b>			
Front	R/L C2S002300		2.75
Rear	R/L C2S006864		2.75
<b>11 Hose, Front Drain</b>			
To VIN C53817	R/L C2S006860		14.05
From VIN C53818	R/L C2S021491		14.30
<b>12 Hose, Rear Drain</b>			
To VIN D52608	R C2S006861		14.05
	L C2S002299		16.30
From VIN D52609	R C2S032214		13.95

### BACK WINDOW

Use Procedure Explanation 19 with the following text.

R&I Back Window		#3.9
<i>#Includes Clean Up Old Adhesive as Necessary</i>		



033-01325

### 1 Glass, Back Window

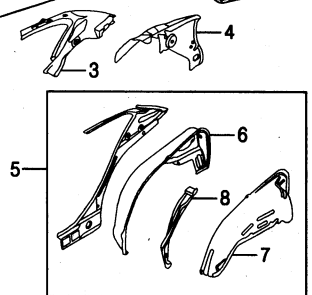
Jaguar			
w/Emergency Messaging Sys			
w/TV	C2S017080	#3.5	397.00
w/o TV	C2S026222	#3.5	361.00
w/o Emergency Messaging Sys			
w/TV			
To VIN C90402	C2S017078	#3.5	397.00
From VIN C90403 to VIN D81559	C2S038641	#3.5	350.00
From VIN D81560 to VIN E32668	C2S038641	#3.5	350.00
From VIN E32669	C2S038641	#3.5	350.00
w/o TV			
To VIN D81559	C2S038640	#3.5	350.00
From VIN D81560 to VIN E32668	C2S038640	#3.5	350.00
From VIN E32669	C2S038640	#3.5	350.00
NAGS			
w/Emergency Messaging Sys			
w/TV	FB22081GTY		0.00
w/o TV	FB22080GTY	#3.5	0.00
w/o Emergency Messaging Sys			
w/TV	FB21503GTY	#3.5	670.85
w/o TV	FB21502GTY	#3.5	808.30
<i>#Includes Clean Up Old Adhesive as Necessary</i>			
Adhesive	N.A.		0.00

### QUARTER PANEL

Use Procedure Explanations 20 and 28 with the following text.

### SHEET METAL/EXTERIOR TRIM SEDAN

Refinish Quarter Panel Outside		R/L	2.0
Add to Edge Panel		R/L	.5
Add for Pillar		R/L	.5
Refinish Fuel Door			#.4
<i>#Included in Refinish Right Quarter Panel</i>			
R&R Both Quarters			27.6
R&R Roof & Both Quarters			
w/Sunroof			48.6
w/o Sunroof			45.6
R&R Rear Body Panel, Both Lamp Mounting Panels & Both Quarters			32.1
R&R Roof, Both Quarters, Rear Body Panel & Both Lamp Mounting Panels			
w/Sunroof			53.1
w/o Sunroof			50.1
Add to R&R Quarter Panel			
To R&I Back Glass			.4



033-01340

<b>1 Panel Assy, Outer Quarter</b>			
	R C2S038393	#17.0	297.00
	L C2S038394	#16.5	297.00





# JAGUAR X-TYPE 2002-05

## QUARTER GLASS Cont'd

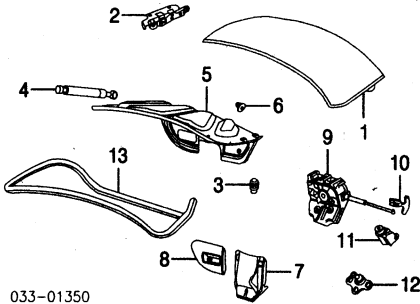
To VIN E01710	R/L C2S038403-4	#1.4	351.00
From VIN E01711	R/L C2S038403-4	#1.4	351.00
NAGS	R/L N.A.	#1.4	0.00
<b>#Includes Clean Up Old Adhesive as Necessary</b>			
2 Finisher, Lower	R/L C2S020661-2		68.70
<b>#Included w/Quarter Glass Assy</b>			
Adhesive	N.A.		0.00

## LUGGAGE LID

Use Procedure Explanations 24 and 28 with the following text.

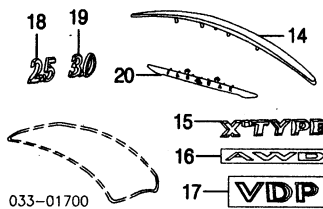
Refinish Luggage Lid Outside			2.4
Add for Underside			1.2
Refinish Hinge	R/L		.2
Refinish Spoiler			.6
R&L Lid Assy			.6
R&L Rear Spoiler			#.6

#Includes R&L/R&R Lid Trim



033-01350

1 Lid, Luggage w/Spoiler			2.2	485.00	
To VIN C14182	C2S008134		2.2	485.00	
From VIN C14183 to VIN E18998	C2S038531		2.2	485.00	
From VIN E18999	C2S038531		2.2	485.00	
w/o Spoiler			2.0	485.00	
To VIN E18998	C2S038526		2.0	485.00	
From VIN E18999	C2S038526		2.0	485.00	
2 Hinge, Lid			#.3	48.60	
To VIN C79293	R C2S017732		L C2S030507	#.3	51.95
From VIN C79294 to VIN D36253	R/L C2S030506-7		R/L C2S030506-7	#.3	51.95
From VIN D36254	R/L C2S030506-7			#.3	51.95
<b>#w/Luggage Lid Removed, Includes R&amp;R Lid Support</b>					
3 Bumper, Luggage Lid	R/L C2S024715			14.60	
4 Support, Lid	R/L C2S001687			.2	64.95
5 Trim, Lid	C2S021759			.4	96.40
6 Retainer, Lid Trim (13)				1.00	
To VIN C11361	XR8009974			2.75	
From VIN C11362	C2S019092			12.45	
7 Cover, Lid Latch	C2S019369			13.05	
To VIN C56881	C2S021271			15.70	
From VIN C56882	C2S006949				
8 Handle, Grab					
9 Latch, Lid					
From VIN C56882 to VIN C99781	C2S021758			#.2	61.80
From VIN C99782 to VIN E07491	C2S038222			#.2	72.10
From VIN E07492	C2S038222			#.2	72.10
10 Handle, Latch	XR8025186			52.55	
11 Actuator, Latch					
To VIN D29756	R/L C2S038555-6			#.2	7.95
From VIN D29757	R/L C2S038555-6			#.2	7.95
<b>#w/Lid Trim Removed</b>					
12 Striker, Latch					
To VIN C99781	C2S004071			.2	8.00
From VIN C99782	C2S024967			.2	10.20
13 W/Strip, Lid On Body	C2S025258			.5	56.05



033-01700

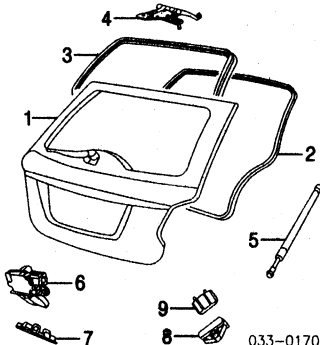
14 Spoiler, Rear (P)	C2S025795XXX		#.6	319.00
<b>(P) Paint to Match</b>				
<b>#Includes R&amp;L/R&amp;R Lid Trim</b>				
Nameplate (Adhesive)				
15 "X-TYPE"	C2S008087		.2	25.80
16 "AWD"	C2S029040		.2	28.40
17 "VDP"	C2S039653		.2	29.00
18 "2.5"	C2S011255		.2	25.80
19 "3.0"	C2S004026		.2	24.05
20 Nameplate				
<b>*Jaguar- Serviced w/License Lamp Assy</b>				
<b>#See Rear Lamps Section</b>				

## LIFTGATE

Use Procedure Explanations 25 and 28 with the following text.

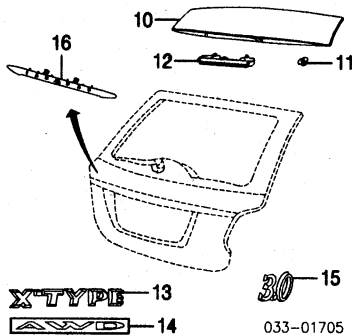
### SHEET METAL/EXTERIOR TRIM

Refinish Liftgate Outside			2.0
Add for Underside			1.0
Refinish Hinge	R/L		.2
Refinish Spoiler			1.2
R&L Liftgate			1.0
R&L Spoiler			.6



033-01701

1 Panel, Liftgate Opng	C2S031188		4.0	485.00
2 Weatherstrip On Liftgate	C2S039968		.5	61.25
3 Weatherstrip, Glass				
To VIN E15649	C2S037423		#.4	76.40
From VIN E15650 to VIN E31459	C2S038557		#.4	76.40
From VIN E31460	C2S042666		#.4	57.50
<b>#w/Glass Removed</b>				
4 Hinge, Liftgate	R/L C2S020959-60		#.3	165.65
<b>#w/Liftgate Removed</b>				
5 Strut, Liftgate	R/L C2S032825		.2	24.85
6 Latch, Liftgate	C2S039516		#.3	131.90
<b>#w/Lower Finisher Removed</b>				
7 Striker, Liftgate	C2S024968		.2	66.35
8 Plate, Wedge	R/L C2S025113			8.15
9 Wedge, Liftgate	R/L C2S023540			15.75



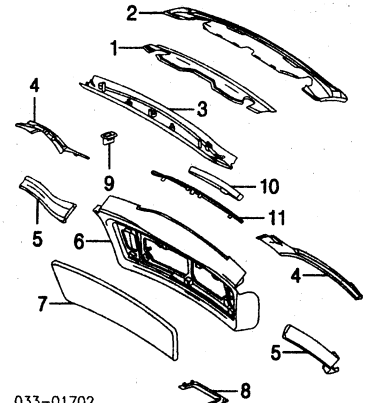
033-01705

10 Spoiler (P)	C2S041622XXX		.6	580.00
<b>(P) Paint to Match</b>				
11 Nut & Washer, Attaching (5)	C2S013843			1.15
12 Lamp, High Mount Stop-See Rear Lamps Section				
Nameplate (Adhesive)				
13 "X-TYPE"	C2S034350		.2	26.80
14 "AWD"	C2S029040		.2	28.40
15 "3.0"	C2S034351		.2	26.80
16 Nameplate				
<b>*Jaguar- Serviced w/License Lamp Assy</b>				
<b>#See Rear Lamps Section</b>				

## INTERIOR TRIM

Illustration Located in Next Column

1 Finisher, Upper Center	C2S020718		#.3	91.25
2 Cover, Upper Center	C2S028501		#.3	131.80
<b>#R&amp;R Complete</b>				
3 Trim, Upper Champagne	C2S027711SEL		.3	59.70
Charcoal	C2S027711LEG		.3	59.70
Stone	C2S027711LJE		.3	59.70
4 Finisher, Outer	R/L C2S020716-7		.3	52.65
5 Cover, Outer Champagne				
To VIN D94658	C2S027706SEL			51.60
From VIN D94659	C2S037571SEL			51.60
Charcoal				

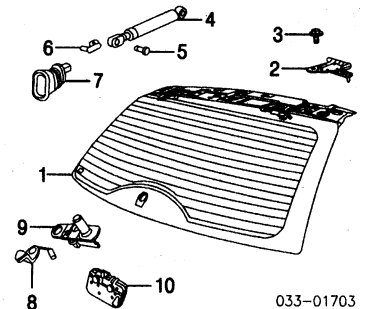


033-01702

To VIN D94658	C2S027706LEG			51.60
From VIN D94659	C2S037571LEG			51.60
Stone				
To VIN D94658	C2S027706LJE			51.60
From VIN D94659	C2S037571LJE			51.60
6 Finisher, Lower Charcoal				
To VIN D94658	C2S037428LEG		#.3	404.00
From VIN D94659	C2S037573LEG		#.3	404.00
Champagne	C2S037573SEL		#.3	404.00
Stone				
To VIN D94658	C2S037428LJE		#.3	392.00
From VIN D94659	C2S037573LJE		#.3	404.00
7 Panel, Carpet Gray	C2S027712LFN		#.3	83.60
Mocha	C2S027712AMB		#.3	83.60
<b>#R&amp;R Complete</b>				
8 Cover, Latch Champagne	C2S037570SEL			16.95
Charcoal	C2S037570LEG			16.95
Stone	C2S037570LJE			16.95
9 Retainer, Cover	C2S038223			.55
<b>#As Required</b>				
10 Cover, Wiper Motor Upper Champagne	C2S027709SEL			23.85
Charcoal	C2S027709LEG			23.85
Stone	C2S027709LJE			23.85
11 Lower Champagne	C2S027701SEL			0.00
Charcoal	C2S027701LEG			0.00
Stone	C2S027701LJE			0.00

## GLASS & PARTS

R&L Liftgate Glass ..... 9



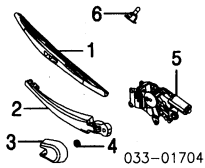
033-01703

1 Glass, Liftgate Jaguar	C2S035718		1.1	499.00
NAGS	N.A.		1.1	0.00
Adhesive	N.A.			0.00
2 Hinge, Glass	R/L N.A.		3.0	0.00
3 Bolt, Mounting (2/Side)	R/L C2S027633			1.00
4 Strut, Glass				
To VIN D98979	R/L C2S037601		.2	170.50
From VIN D98980	R/L C2S037601		.2	170.50
5 Pin, Retaining	R/L C2S035983			.60
6 Clip, Retaining	R/L C2S032669			1.60
7 Bolt, Mounting	R/L C2S032982			4.35
8 Handle, Glass	C2S040350		.2	92.75
9 Latch, Glass	C2S037370		.3	78.00
10 Striker	C2S037370		.2	78.00

## WIPER SYSTEM

Illustration Located in Next Column

1 Blade, Wiper	C2S028482		.1	21.65
2 Arm, Wiper	C2S028480		#.2	36.05



- 3 Cover, Wiper Arm C2S019758 #.2 5.85  
#Includes R&R/Wiper Blade, Included in R&R Liftgate
  - 4 Nut, Mounting C2S027743 1.15
  - 5 Motor, Wiper C2S032741 #.6 185.00
  - 6 Nozzle, Washer C2S021771 #.2 23.70  
#w/Lower Finisher Removed
- Reservoir, Washer Fluid-See Windshield Section  
Pump, Washer-See Windshield Section

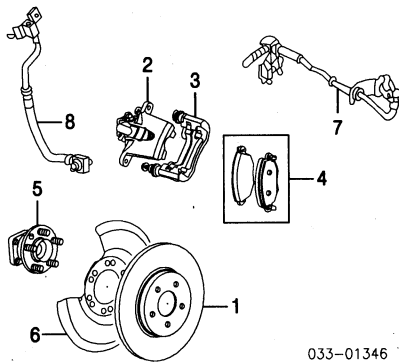
## REAR SUSPENSION

Use Procedure Explanation 23 with the following text.

R&I Suspension/Crossmember Assy	m	4.3
O/H Suspension (Includes R&I)		
One Side	R/Lm	4.8
Both Sides	m	9.2
Adjust Four Wheel Alignment	m	2.1
Adjust Rear Alignment	m	.8
Bleed Brake System	m	.6

NOTE 1: R&R/R&R or O/H Does Not include alignment or bleed brake system.

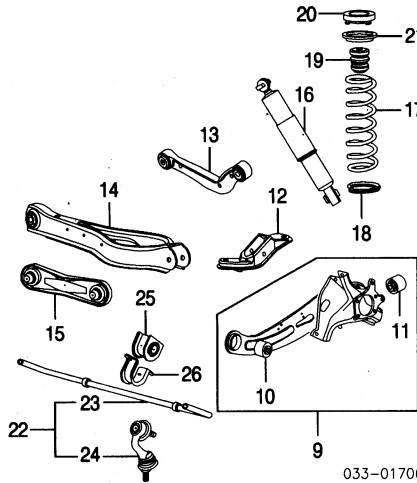
NOTE 2: All Parts in this section are included in overhaul unless noted otherwise.



- 1 Rotor, Brake R/L C2S042668 m #.6 106.90  
#R&R Both 1.0
- 2 Caliper, Brake R C2S018003 m #.5 338.00  
L C2S018004 m #.5 354.00
- 3 Bracket, Brake Caliper R C2S017386 m #.5 266.00  
L C2S017387 m #.5 219.95  
#R&R One Side Complete, R&R Both Sides .8
- 4 Pad Set, Brake To VIN E24053 C2S033408 m #1.0 125.00  
From VIN E24054 C2S038068 m #1.0 205.05  
#Deduct .5 for Each Caliper Removed
- 5 Hub, Wheel R/L C2S003301 m #1.0 130.00  
#Includes R&R Brake Rotor, R&R Both Sides 1.8
- 6 Stud, Wheel R/L C2S023549 m 1.30
- 7 Shield, Splash R/L C2S020740 m #.2 13.70  
#w/Hub Removed
- 8 Sensor, Rear ABS-See ABS/Brakes Section
- 8 Hose, Brake R/L C2S004684 m #.3 36.30  
#w/Caliper Removed Deduct .2

Illustration Located in Next Column

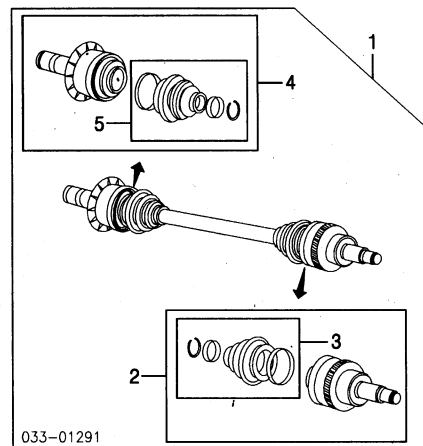
- 9 Carrier Assy, Hub R C2S020027 m #3.0 530.00  
L C2S020029 m #3.0 525.00  
#Includes R&R Brake Rotor, Wheel Hub & Splash Shield, R&R Both Sides 5.8
- 10 Bushing, Front Carrier (a) R/L C2S014739 m #.4 17.95
- 11 Bushing, Rear Carrier (a) R/L C2S014740 m #.4 16.85  
(a) Included w/Hub Carrier Assy
- 12 Bracket, Hub Carrier R C2S015586 m #.4 58.80  
L C2S014702 m #.4 57.95  
#R&R One Side Complete, w/Hub Carrier Removed
- 13 Arm, Upper Control To VIN D96677 R/L C2S039484 m #.7 84.70  
From VIN D96678 to VIN E24899 R/L C2S039484 m #.7 84.70  
From VIN E24900 R/L C2S039484 m #.7 84.70  
#w/Hub Carrier Removed Deduct .4
- 14 Arm, Center Control R/L C2S024713 m #1.5 55.70  
#Includes R&R Coil Spring, w/Hub Carrier Removed Deduct 1.0
- 15 Arm, Lower Control R C2S039585 m #.7 90.80  
#w/Hub Carrier Removed Deduct .4
- 16 Absorber, Shock



- 17 Spring, Coil Sedan Comfort Susp R/L C2S002389 m #.8 96.00  
To VIN D41551 R/L C2S029542 m #.8 96.00  
From VIN D41552 Sport Susp R/L C2S020843 m #.8 58.60  
Wagon R/L C2S034680 m #.8 96.00  
#Order by Application  
#R&R Both Sides 1.4, w/Hub Carrier Removed Deduct .5
- 17 Spring, Coil Sedan Comfort Susp R/L C2S002389 m #1.2 96.00  
Sport Susp R/L C2S013946 m #1.2 96.00  
Wagon w/Entertainment System Comfort Susp R/L C2S020756 m #1.2 61.20  
Sport Susp R/L C2S020757 m #1.2 56.55  
w/o Entertainment System Comfort Susp R/L C2S020754 m #1.2 54.45  
Sport Susp R/L C2S020755 m #1.2 61.20  
Wagon R/L C2S008586 m #1.2 14.55
- 18 Spacer, Spring
- 19 Bumper, Suspension Sedan R/L C2S009225 m #1.2 9.10  
Wagon R/L C2S030429 m #1.2 17.00
- 20 Insulator, Upr Spring R/L C2S012151 m #1.2 14.45
- 21 Insulator, Lwr Spring R/L C2S019793 m #1.2 15.65  
#R&R One Side Complete, Included in R&R Center Control Arm
- 22 Bar Assy, Stabilizer C2S019910 m #.8 240.00  
#Includes R&R Stabilizer Brackets & Bushings, Not Included in O/H
- 23 Bar, Stabilizer (b) C2S040917 m # 216.25
- 24 Link, Stabilizer (b) R/L C2S040709 m #.3 29.15  
(b) Included w/Stabilizer Bar Assy  
#Not Included in O/H
- 25 Bushing, Stabilizer Bar R/L C2S010234 m #.3 58.50
- 26 Bracket, Stabilizer Bar To VIN C00937 R/L C2S018106 m #.3 50.40  
From VIN C00938 R/L C2S018106 m #.3 50.40  
#R&R One Side Complete, Not Included in O/H

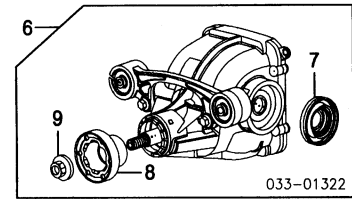
## REAR DRIVE AXLE

- R&I Rear Drive Axle Assy R/Lm #.3  
#w/Necessary Suspension Components Removed

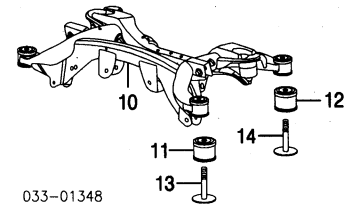


- 1 Axle Assy, Rear Drive R/L C2S027352-1 m #.5 540.00  
#w/Necessary Suspension Components Removed
- 2 Joint Assy, Outer Axle R/L C2S016509 m #.5 78.80  
#w/Rear Drive Axle Assy Removed
- 3 Boot Kit, Outer (a) R/L C2S016513 m 19.20

- (a) Included w/Outer Axle Joint Assy
- 4 Joint Assy, Inner Axle R/L C2S016510 m #.5 110.25  
#w/Rear Drive Axle Assy Removed
- 5 Boot Kit, Inner (b) R/L C2S016514 m 19.20  
#Included w/Rear Drive Axle Assy  
(b) Included w/Inner Axle Joint Assy



- 6 Differential Assy To VIN E22156 C2S036547 m #2.6 1080.00  
From VIN E22157 C2S036547 m #2.6 1080.00  
#Time is w/Rear Drive Axle Assemblies Removed
- 7 Seal, Axle (c) R/L C2S001557 m 4.75
- 8 Flange, Pinion (c) C2S004900 m 50.00
- 9 Nut, Pinion (c) C2S001537 m 1.95  
(c) Included w/Differential Assy

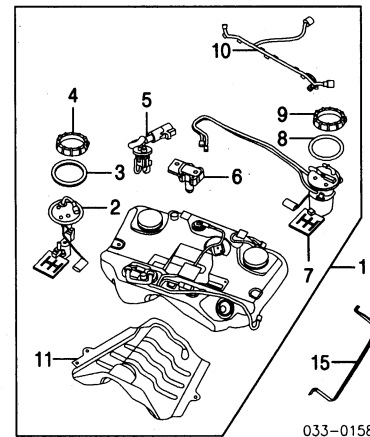
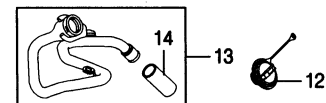


- 10 Crossmember, Rear To VIN D26956 C2S030513 m 6.3 575.00  
From VIN D26957 C2S030513 m 6.3 575.00
- 11 Mount, Front R/L C2S014737 m 32.60
- 12 Mount, Rear R/L C2S014738 m 32.60
- 13 Bolt, Front Mount R/L C2S014041 m 7.05
- 14 Bolt, Rear Mount R/L C2S014041 m 7.05

## FUEL TANK

- R&I Fuel Tank #1.6  
#w/Rear Suspension/Crossmember Assy Removed

NOTE: R&I/R&R Does Not include drain and refill.



- 1 Tank Assy, Fuel To VIN D55321 C2S033212 m #1.8 d785.00  
From VIN D55322 C2S035218 m #1.8 785.00  
#w/Rear Suspension/Crossmember Assy Removed
- 2 Sender, Fuel To VIN D55321 C2S035272 m #.4 86.00  
From VIN D55322 C2S033495 m #.4 86.00  
#w/Fuel Tank Assy Removed
- 3 Seal, Sender C2S008592 6.25
- 4 Ring, Pump Retaining To VIN D55321 XR8007952 5.55  
From VIN D55322 C2S034903 7.40
- 5 Harness, Fuel Pump Link XR8031105 m 0.00
- 6 Transducer, Tank C2C001240 m 174.00
- 7 Pump, Fuel To VIN D55321 C2S035274 m #.4 315.00

# JAGUAR X-TYPE 2002-05

## FUEL TANK Cont'd

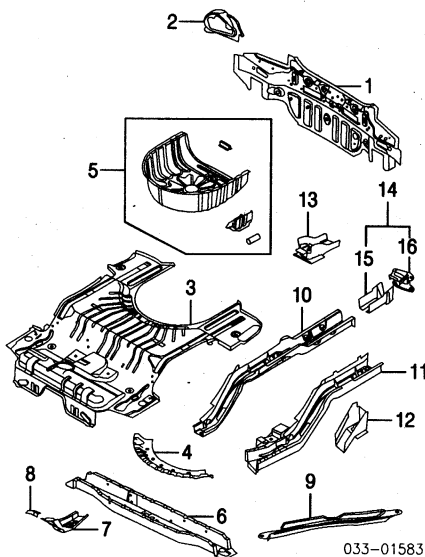
From VIN D55322	C2S033496	m	#.4	382.00
<b>#w/Fuel Tank Assy Removed</b>				
8 Seal, Fuel Pump	To VIN D55321	C2S008592	m	6.25
	From VIN D55322	C2S034902	m	8.15
9 Ring, Sender Retaining	To VIN D55321	XR8007952	m	5.55
	From VIN D55322	C2S034903	m	7.40
10 Harness, Tank	To VIN D55321	C2S017037	m	45.25
	From VIN D55322	C2S017036	m	d26.30
11 Shield, Fuel Tank	C2S017862			115.55
<b>*Included w/Fuel Tank Assy</b>				
12 Cap, Fuel Filler	1/4 Turn Design	C2P005270	.2	15.25
	Screw-On Design	C2S014163	.2	13.35
13 Pipe Assy, Filler	To VIN D02384	C2S017753	3.6	46.80
	From VIN D02385	C2S038637	3.6	112.50
14 Hose, Filler (a)	To VIN C11361	C2S017800		41.20
	From VIN C11362 to VIN D55321	C2S022572		41.20
	From VIN D55322	C2S033826		29.95
<b>(a) Included w/Filler Pipe Assy</b>				
15 Strap, Fuel Tank	R/L C2S002771-2			19.20

## REAR BODY

Use Procedure Explanations 26 and 28 with the following text.

## SHEET METAL

Refinish Rear Body Panel	1.5
Add for Edge & Inside	.8
Refinish Rear Floor Panel	1.2

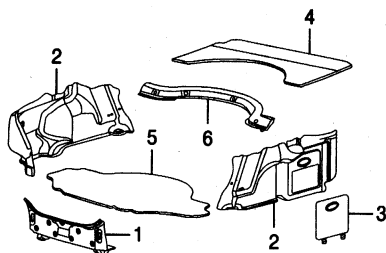


033-01583

1 Panel, Rear Body	Sedan	C2S035162	#7.5	269.00
	Wagon	C2S037425	#7.5	270.00
<b>#Deduct 1.0 for Each Rear Lamp Mounting Panel Removed, Deduct 2.5 for Each Quarter Panel Removed, Deduction Includes Common Surfaces &amp; Included Operations</b>				
2 Panel, Rear Lamp Mtg	Sedan	R/L C2S030575-6	#2.0	105.05
	Wagon	R C2S019584	#2.0	103.45
		L C2S019586	#2.0	103.45
<b>#w/Necessary Bolted Parts &amp; Assemblies Removed</b>				
3 Panel, Rear Floor	To VIN C26840	C2S016813	#18.5	355.00
	From VIN C26841 to VIN D55321	C2S036203	#18.5	336.00
	From VIN D55322 to VIN D89619	C2S036203	#18.5	336.00
	From VIN D89620	C2S036203	#18.5	336.00
<b>#w/Spare Tire Well Removed, w/Each Sidemember Removed</b>				
<b>Deduct 2.5</b>				
4 Reinforcement, Rear Floor	C2S010331			63.65
5 Panel, Spare Tire Mtg	C2S027746		#6.0	109.35
<b>#w/Rear Body Panel Removed</b>				
6 Crossmember, Rear Floor	C2S009820			284.00
7 Extension, Front Sidemember	To VIN C31515	R C2S014705		51.60
		L C2S014713		51.60
	From VIN C31516 to VIN D55319	R C2S014705		51.60
		L C2S029420		101.55
	From VIN D55320	R C2S029426		101.55
		L C2S029420		101.55
8 Reinf, Sidemember Ext	R/L N.A.			0.00
9 Reinforcement, Inner	R/L C2S023018-9			235.95
10 Sidemember, Rear	R C2S017703		s #8.5	184.05
	L C2S017704		s #8.5	167.25
11 Reinf, Sidemember	R/L C2S012312-3		s #8.5	114.75
<b>#R&amp;R One Side Complete</b>				

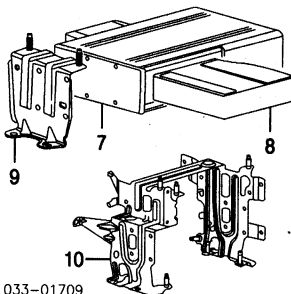
12 Bracket, Sidemember Reinf	R C2S014043			75.25
	L C2S026585			68.20
13 Retainer, Rear Mounting	R C2S006341			64.70
	L C2S006343			64.70
14 Extension Assy, Rear Sidemember	R/L C2S023354-5	s	2.0	90.95
15 Extension, Rear Sidemember	To VIN C59953	R/L C2S003150-1		101.20
	From VIN C59954	R/L C2S021637-8		92.25
16 Plate, Reinf Bar Mounting	To VIN C86726	R C2S006170		101.20
		L C2S006172		107.45
	From VIN C86727	R/L C2S022280-1		90.95
<b>*Included w/Rear Sidemember Extension Assy</b>				

## INTERIOR TRIM SEDAN



033-01343

1 Trim, Rear Body	C2S025261	.2		151.20
2 Trim, Side	Right	C2S043238	.3	142.05
	Left			
	w/Navigation System	C2S021297	.3	77.50
	w/o Navigation System	C2S027027	.3	140.15
<b>*Order by Application</b>				
3 Cover, Side Trim	w/Navigation System	L XR8016767LFN		53.85
4 Cover, Front Floor	w/Navigation System	To VIN C03866		71.90
		From VIN C03867 to VIN D55321		108.55
		From VIN D55322		67.55
		w/o Navigation System		75.30
<b>*Order by Application</b>				
5 Cover, Rear Floor	w/Navigation System			
	w/Fire Extinguisher	C2S022239		198.85
	w/o Fire Extinguisher	C2S034788		113.40
	w/o Navigation System			
	w/Fire Extinguisher	C2S022238		198.85
		To VIN D55321		113.40
		From VIN D55322		113.40
		w/o Fire Extinguisher		113.40
6 Plate, Scuff	w/Navigation System	To VIN D11649		C2S025732 .3 74.80
		From VIN D11650		C2S025732 .3 74.80
		w/o Navigation System		C2S025731 .3 75.50



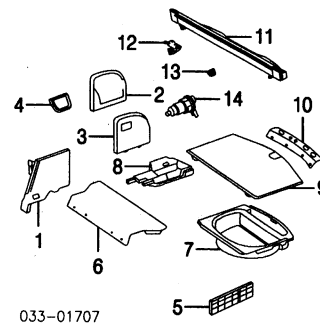
033-01709

7 Changer, CD	To VIN D39879	C2C018740	.7	550.00
	From VIN D39880	C2C018740	.7	550.00
8 Magazine, CD	C2S014403			60.00
9 Bracket, Side	C2S010241			22.35
10 Bracket, Changer	C2S032805			d42.60

## INTERIOR TRIM WAGON

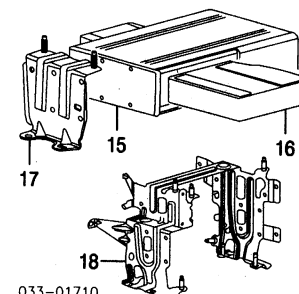
Illustration Located in Next Column

1 Trim, Side	To VIN E33187			
	Gray	R C2S027690LFN	.2	132.40
		L C2S027691LFN	.2	132.40
	Mocha	R C2S027690AMB	.2	132.40
		L C2S027691AMB	.2	132.40
	From VIN E33188			
	Gray	R C2S037636LFN	.2	131.90



033-01707

Mocha	L C2S037637LFN	.2	131.90	
	R C2S037636AMB	.2	131.90	
	L C2S037637AMB	.2	131.90	
2 Box, Storage	Gray	R C2S027700LFN	.3	73.40
		L C2S027701LFN	.3	74.30
	Mocha	R C2S027700AMB	.3	73.40
		L C2S027701AMB	.3	74.30
3 Cover, Storage Box	w/Premium Sound			
	Gray	R C2S023714LFN		64.25
		L C2S023715LFN		82.70
	Mocha	R C2S023714AMB		64.25
		L C2S023715AMB		82.70
	w/o Premium Sound			
	Gray	R C2S023713LFN		81.15
		L C2S023715LFN		82.70
	Mocha	R C2S023713AMB		81.15
		L C2S023715AMB		82.70
4 Retainer, Hook	R C2S019654			18.55
5 Cover, Trim	L C2S036342			09.40
6 Cover, Front Floor	Gray	C2S032608LFN	.2	288.00
	Mocha	C2S032608AMB	.2	288.00
7 Panel, Luggage Compartment	C2S020721			4.161.00
8 Panel, Lower Trim	w/Premium Sound	R C2S023047		62.10
		L C2S023048		d58.50
	w/o Premium Sound	R/L C2S020706-7		62.10
9 Cover, Rear Floor	Gray	C2S038985LFN	.2	252.00
	Mocha	C2S038985AMB	.2	248.70
10 Plate, Scuff	Champagne	C2S037025SEL	.3	169.25
	Charcoal	C2S037025LEG	.3	169.25
	Stone	C2S037025LJE	.3	169.25
11 Cover, Cargo	w/Cargo Net			
	Champagne	C2S038610SEL	.2	460.00
	Charcoal	C2S038610LEG	.2	460.00
	Stone	C2S038610LJE	.2	460.00
	w/o Cargo Net			
	Champagne	C2S042556SEL	.2	445.00
	Charcoal	C2S038611LEG	.2	402.00
	Stone	C2S038611LJE	.2	402.00
12 Bracket, Mounting	R/L C2S020961-2			13.30
13 Hook, Cover	C2S019654			18.55
14 Outlet, Power	R C2S020096			.3 5.70



033-01710

15 Changer, CD	To VIN D39879	C2C018740	.7	550.00
	From VIN D39880	C2C018740	.7	550.00
16 Magazine, CD	C2S014403			60.00
17 Bracket, Side	C2S010241			22.35
18 Bracket, Changer	C2S032805			d42.60

## REAR LAMPS

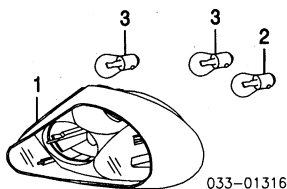
### COMBINATION LAMP

R&I Combination Lamp	R/L	.4
----------------------	-----	----

Illustration Located in Next Column

1 Lamp, Combination
---------------------

# JAGUAR X-TYPE 2002-05



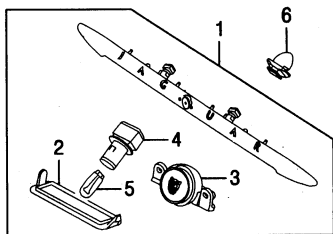
033-01316

Sedan	R	C2S001572	.4	203.85
	L	C2S001576	.4	203.85
Wagon	R	C2S032773	.4	148.20
	L	C2S032775	.4	148.20
2 Bulb, Signal	R/L	C2S015076	#.2	10.55
3 Bulb, Tail/Stop				
No. 1	R/L	C2S015073	#.2	5.10
No. 2	R/L	C2S015077	#.2	5.20

#R&R One Side Complete

## LICENSE LAMP

Refinish License Lamp Assy	.6
R&I License Lamp Assy	#.7
Sedan	#.9
#Includes R&R Luggage Lid Trim	
Wagon	#.9
#Includes R&I/R&R Lower Finisher	



033-01584

## 1 Lamp Assy, License

Sedan				
Chrome				
To VIN D55321	C2S018392	#.3	162.95	
From VIN D55322	C2S038525	#.3	138.80	
#w/Luggage Lid Trim Removed				
Paint to Match				
To VIN C29127	C2S008714XXX	#.6	190.00	
From VIN C29128 to VIN D55321	C2S018142XXX	#.6	165.65	
From VIN D55322 to VIN E23475	C2S032464XXX	#.6	144.85	
From VIN E23476	C2S038534XXX	#.6	144.85	
#w/Luggage Lid Trim Removed, Includes Disassemble for Refinish				
Wagon				
Chrome				
To VIN D88173	C2S038529	#.3	138.80	
From VIN D88174	C2S038529	#.3	138.80	
#w/Luggage Lid Trim Removed				
Paint to Match				
To VIN E05195	C2S038220XXX	#.6	0.00	
From VIN E05196	C2S038535XXX	#.6	133.40	

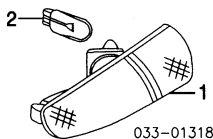
#Order by Application

#Includes R&I/R&R Lower Finisher, Includes Disassemble for Refinish

2 Lens & Gasket (a)	R/L	C2S030530	18.15
3 Switch, Trunk Release (a)			
Sedan			
To VIN E05195	C2S023400	74.90	
From VIN E05196	C2S038530	74.75	
4 Socket, License Lamp (a)	R/L	XR8026715	4.75
5 Bulb, License Lamp (a)	R/L	XR8006880	.3 1.15
(a) Included w/License Lamp Assy			
6 Retainer, License Lamp	R/L	C2S010318	4.90

## SIDE MARKER LAMP

R&I Side Marker Lamp	R/L	#.2
#Included in R&R or O/H Rear Bumper		

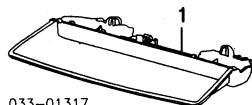


033-01318

1 Lamp, Side Marker	R	C2S001599	#.2	16.70
	L	C2S001741	#.2	16.70
#Included in R&R or O/H Rear Bumper				
2 Bulb, Side Marker	R/L	C2S015074	.2	.75

## HIGH MOUNT STOP LAMP SEDAN

R&I High Mount Stop Lamp	.3
--------------------------	----

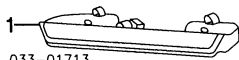


033-01317

1 Lamp, High Mount Stop				
To VIN D20903	C2S012345	.3	93.65	
From VIN D20904	C2S027468	.3	122.10	

## HIGH MOUNT STOP LAMP WAGON

R&I High Mount Stop Lamp	.4
--------------------------	----



033-01713

1 Stop Lamp, High Mount	C2S019496	.4	76.90
-------------------------	-----------	----	-------

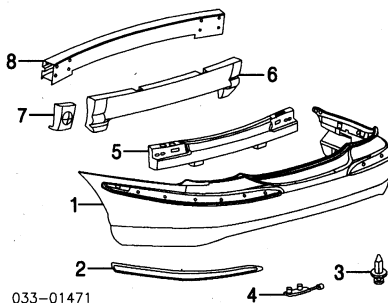
## REAR BUMPER

Use Procedure Explanations 27 and 28 with the following text.

### SEDAN

Refinish Rear Cover	2.5
Refinish Parking Aid Sensor	.3
Refinish Rear Cover Moulding	R/L .4
R&R Parking Sensors Complete	.5
R&I Bumper Assy	1.6
O/H Bumper Assy (Includes R&I)	2.6
Add to R&R or O/H Rear Bumper w/ Rear Object Sensor	.5

NOTE: All Parts in this section are included in overhaul unless noted otherwise.

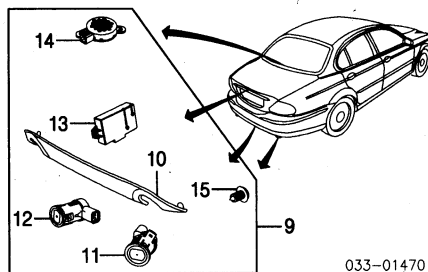


033-01471

1 Cover, Rear (P)	C2S038521XXX	2.4	580.00
(P) Paint to Match			
2 Moulding, Rear Cover			
Chrome	R C2S011337	#.2	96.60
	L C2S011339	#.2	96.60
Paint to Match	R C2S012045XXX	#.2	107.25
	L C2S012047XXX	#.2	107.25

#w/Bumper Removed

3 Retainer, Bumper (a)	C2S009354	.55
(a) As Required		
4 Cover, Tow Hook	C2S005742	20.45
5 Support, Rear Cover	C2S008559	22.35
6 Absorber, Center Impact	C2S014751	10H 21.35
7 Absorber, Outer Impact	R/L C2S036935	IOH 3.15
8 Bar, Impact		
To VIN C65049	C2S004328	IOH 331.00
From VIN C65050 to VIN D87065	C2S035972	IOH 266.00
From VIN D87066	C2S035972	IOH 266.00



033-01470

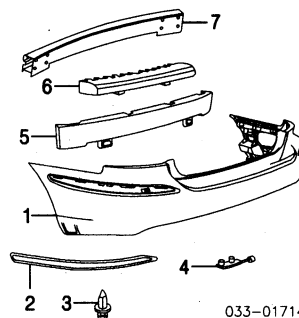
9 Panel Assy, Valance w/Rear Object Sensor	C2S021306	#	491.00
#Not Included in O/H			
10 Panel, Valance w/Rear Object Sensor (b) w/o Rear Object Sensor, Sensor, Parking Aid (P) (4)			
	C2S018803	.3	40.20
	C2S016148	.3	28.15
	C2C021643XXX		89.20
(P) Paint to Match			

11 Sensor, Rear Object (b) Outer (2)	C2S031533	#.3	66.10
12 Center (2)	C2S031534	#.3	67.75
#R&R Two or More .5, w/Valance Panel Removed			
Bracket, Rear Object Sensor (b) (4)	C2S007679		13.75
13 Module, Rear Object Sensor (b)	C2C001237	#.2	98.25
To VIN D55321	C2C001237		
From VIN D55322	C2S040411	#.2	198.25
w/Front Parking Aid	C2N003683	#.2	179.00
w/o Front Parking Aid			
#Order by Application			
14 Speaker, Rear Object Sensor (b)			
To VIN D11649	C2N002421	#.2	24.25
From VIN D11650	C2N002421	#.2	24.25
#w/Necessary Trim Removed, Not Included in R&I/R&R or O/H Bumper Assy			
15 Retainer, Push-In (b)	C2S015121		1.55
(b) Included w/Valance Panel Assy			

### WAGON

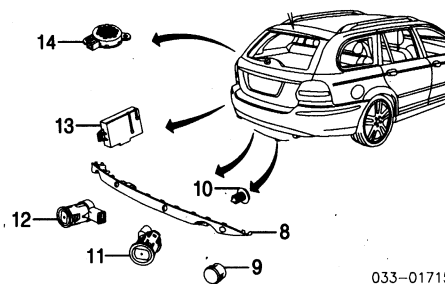
Refinish Rear Cover	2.7
Refinish Parking Aid Sensor	.3
Refinish Rear Cover Moulding	R/L .4
R&R Parking Sensors Complete	.5
R&I Bumper Assy	1.6
O/H Bumper Assy (Includes R&I)	2.6
Add to R&R or O/H Rear Bumper w/ Rear Object Sensor	.5

NOTE: All Parts in this section are included in overhaul unless noted otherwise.



033-01714

1 Cover, Rear (P)			
To VIN E31377	C2S039024XXX	2.4	585.00
From VIN E31378 to VIN E32193	C2S039024XXX	2.4	585.00
From VIN E32194	C2S039024XXX	2.4	585.00
(P) Paint to Match			
2 Moulding, Rear Cover			
Chrome	R/L C2S023201-2	#.2	84.25
Paint to Match	R C2S026324XXX	#.2	81.35
	L C2S026325XXX	#.2	81.35
#w/Bumper Removed			
3 Retainer, Bumper (3)	C2S009354	.55	
4 Cover, Tow Hook	C2S005742	20.45	
5 Support, Rear Cover	C2S020679	27.50	
6 Absorber, Impact	C2S020680	IOH 27.50	
7 Bar, Impact			
To VIN C65049	C2S004328	IOH 331.00	
From VIN C65050	C2S035972	IOH 266.00	



033-01715

8 Panel, Valance	C2S020673	#	35.15
#Not Included in O/H			
9 Plug, Sensor (4)	C2S023199		1.30
10 Retainer, Push-In Sensor, Parking Aid (P) (4)	C2S015121		1.55
	C2C021643XXX		89.20
(P) Paint to Match			
Sensor, Rear Object			
11 Outer (2)			
To VIN D40219	C2S031533	#.3	66.10
From VIN D40220	C2S031533	#.3	66.10
12 Center (2)			
To VIN D40219	C2S031534	#.3	67.75
From VIN D40220	C2S031534	#.3	67.75
#R&R Two or More .5, w/Valance Panel Removed			
13 Module, Rear Object Sensor			
To VIN D55321	C2C001237	#.2	98.25
From VIN D55322	C2S040411	#.2	198.25
w/Front Parking Aid	C2N003683	#.2	179.00
w/o Front Parking Aid			

# JAGUAR XJ 2004-05

## REAR BUMPER Cont'd

### WAGON Cont'd

Bracket, Rear Object Sensor (4)	C2S007679	13.75
14 Speaker, Rear Object Sensor		
To VIN D11649	C2N002421	#.2 24.25
From VIN D11650	C2N002421	#.2 24.25
<b>*/w/Necessary Trim Removed, Not Included in R&amp;I/R&amp;R or O/H Bumper Assy</b>		

# JAGUAR XJ 2004-05

## SECTION INDEX

A/C/HEATER/VENTILATION	692
A/C REFRIGERANT CAPACITIES	692
ABS/BRAKES	694
AIR BAG SYSTEM	694
AIR CLEANER	697
BACK WINDOW	707
CENTER CONSOLE	699
CLEAR COAT IDENTIFICATION	690
COOLING	691
COWL & DASH	698
ELECTRICAL	698
ELECTRONIC SUSPENSION COMPONENTS	694
EMISSION SYSTEM	697
ENGINE OIL COOLER	692
ENGINE UNDER COVER	697
ENGINE/TRANS	696
ENGINE/TRANS MOUNTS	697
EXHAUST	697
FRONT BUMPER	690
FRONT DOOR	703
FRONT FENDER	693
FRONT INNER STRUCTURE	693
FRONT LAMPS	691
FRONT SEAT	700
FRONT STEERING LINKAGE/GEAR	696
FRONT SUSPENSION	695
FUEL TANK	708
GRILLE	691
HOOD	691
INFORMATION LABELS	690
INSTRUMENT PANEL	699
LUGGAGE LID	707
PAINT CODE LOCATION	690
QUARTER PANEL	707
REAR BODY	709
REAR BUMPER	709
REAR CONSOLE	699
REAR DOOR	704
REAR DRIVE AXLE	708
REAR LAMPS	709
REAR SEAT	701
REAR SUSPENSION	708
ROCKER/PILLARS/FLOOR	700
ROOF	706
SEAT BELTS	702
SPECIAL CAUTIONS	690
STEERING PUMP	696
STEERING WHEEL/COLUMN	696
SUNROOF	706
SUPERCHARGER	697
UNDERHOOD DIMENSIONS	693
WHEEL	695
WINDSHIELD	698

## SPECIAL CAUTIONS

### SUPPLEMENTAL RESTRAINT SYSTEM

Refer to Procedure Explanation 29 for Supplemental Restraint/Air Bag Special Cautions.

### ALUMINUM

The vehicle body structure is composed of aluminum.

### ELECTRICAL COMPONENTS

Ignition must be in off position before any electrical repair is performed.

### SUSPENSION

Manufacturer advises that some new fasteners must be used whenever old fasteners are loosened or removed.

### WELDING

Before initiating any repair involving the use of an electric welder, the ignition must be in the off position and battery disconnected.

## PAINT CODE LOCATION

Paint code located on left front door jamb.

## CLEAR COAT IDENTIFICATION

All colors are clear coat.

## INFORMATION LABELS

Label, A/C	C2C006249	21.05
Label, Emission		
w/Supercharger	XR8042719	4.50
w/o Supercharger	XR8035720	2.25
Label, Emission Hose Routing		
w/Supercharger	04 C2C024771	1.50
	05 XR8051921	1.55
w/o Supercharger	04 C2C024770	1.40
	05 XR8051920	1.50
	XR8047031	1.40
Label, Fan Warning		
Label, Headlamp Caution		
w/Navigation System	C2C010228	2.45
w/DVD Player	XR8034564	6.70
w/o DVD Player	C2C009528	1.95
Label, Pass Air Bag		
Upper	GNA2620CA	5.45
Lower	GNA2621CA	d2.45
Label, Side Air Bag	R/L C2C014610	4.50
Label, Tire	C2C002284	2.20
Label, Unleaded Fuel	C2C018300	1.35

## FRONT BUMPER

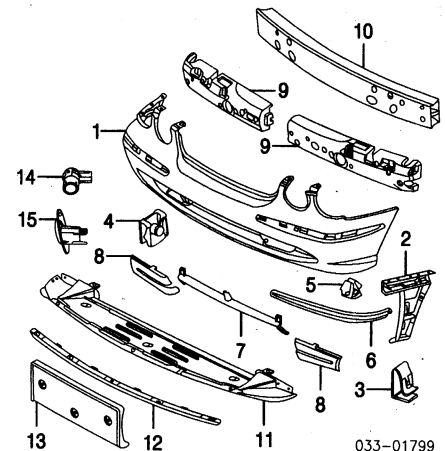
Use Procedure Explanations 1 and 28 with the following text.

Refinish Front Cover	2.6
Refinish Impact Bar	1.0
Refinish Parking Aid Sensor	.3
Refinish Sensor Cover	.2
R&I Bumper Assy	#1.6
O/H Bumper Assy (Includes R&I)	#2.2

### #Includes R&I Grille Assy

R&R Parking Sensors Complete	.4
Add to R&R or O/H Front Bumper	
w/Parking Aid	.3
w/ H/Lamp Washers	.3

NOTE: All Parts in this section are included in overhaul unless noted otherwise.



1 Cover, Front (P)			
w/Parking Aid			
w/ H/Lamp Washer	C2C020193XXX	#2.2	940.00
w/o H/Lamp Washer	C2C020191XXX	#2.2	955.00
w/o Parking Aid			
w/ H/Lamp Washer	C2C006217XXX	#2.2	775.00
w/o H/Lamp Washer	C2C020192XXX	#2.2	950.00
(P) Paint to Match			
#/w/Bumper Cover Removed, Not Included in O/H			
2 Bracket, Front Cover	R C2C004652		53.65
	L C2C004653		42.50
3 Support, Front Cover (2/Side)	R/L C2S011341		2.20
4 Nut, Spring (4)	C2S002151		1.15
5 Washer, Cover (6)	XR8002175		1.30
6 Moulding, Cover	R C2C001592	.3	122.95
	L C2C001593	.3	150.75
7 Deflector, Inner Air	C2C001521		151.20
8 Insert, Lower Cover	R/L C2C004656-7		29.05
9 Absorber, Impact	R C2C001602		92.85
	L C2C001605		92.85
10 Bar, Impact (P)	C2C003296	#.5	334.00
(P) Paint to Match			
#/w/Bumper Cover Removed, Not Included in O/H			
11 Panel, Valance	C2C009223	.4	525.00
12 Deflector, Lower	C2C009540	.3	57.95
13 Bracket, License	C2C001522	.2	22.65
14 Sensor, Parking Aid (P)			
Outer	R/L C2C021644XXX	#.2	89.20
Inner	R/L C2C021643XXX	#.2	89.20
15 Cover, Sensor (P)			
Outer	R C2C007497XXX	#.2	6.15
	L C2C007500XXX	#.2	6.15
Inner	R C2C007499XXX	#.2	6.15