

PUBLISHED: 05-NOV-2014
2010.0 XF (X250), 303-05

ACCESSORY DRIVE - V8 S/C 5.0L PETROL

SUPERCHARGER BELT (G1822096)

REMOVAL AND INSTALLATION

18.50.08	SUPERCHARGER DRIVE BELT - RENEW	5000 CC, AJ V8, SUPERCHARGED	0.4	USED WITHINS
----------	---------------------------------------	------------------------------------	-----	--------------

REMOVAL

NOTE:

Removal steps in this procedure may contain installation details.

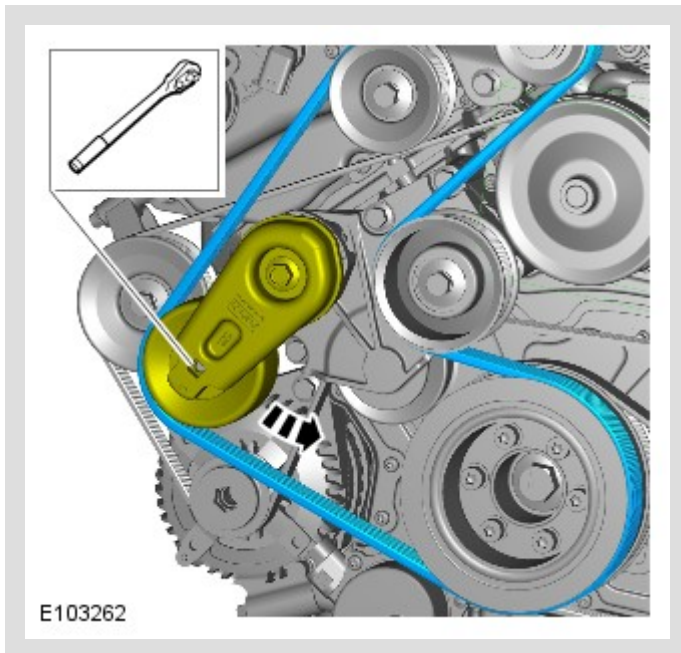
1. Refer to: Air Cleaner Outlet Pipe T-Connector (303-12F, Removal and Installation).

2. Refer to: Right Air Cleaner Outlet Pipe (303-12F, Removal and Installation).

3.

⚠ CAUTION:

Note the fitted position of the component prior to removal.



INSTALLATION

1.

⚠ CAUTION:

Make sure the supercharger belt is correctly aligned to the pulleys. Failure to follow this instruction may result in damage to the vehicle.

To install, reverse the removal procedure.