


Bumpers - Front Bumper Cover

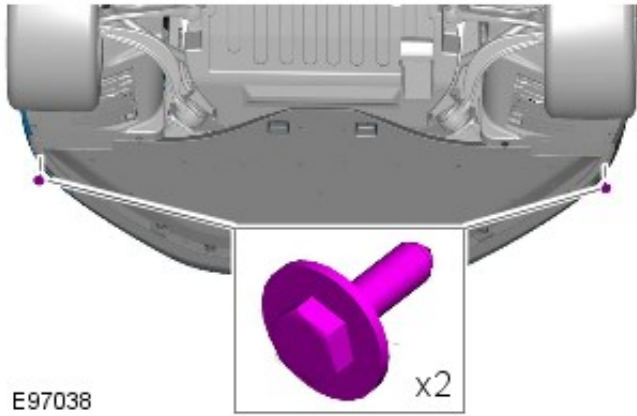
Removal and Installation

Removal

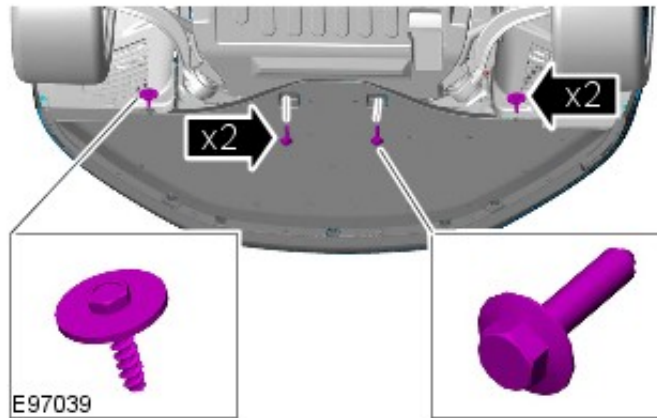
 NOTE: Removal steps in this procedure may contain installation details.

1.  **WARNING:** Make sure to support the vehicle with axle stands.
Raise and support the vehicle.

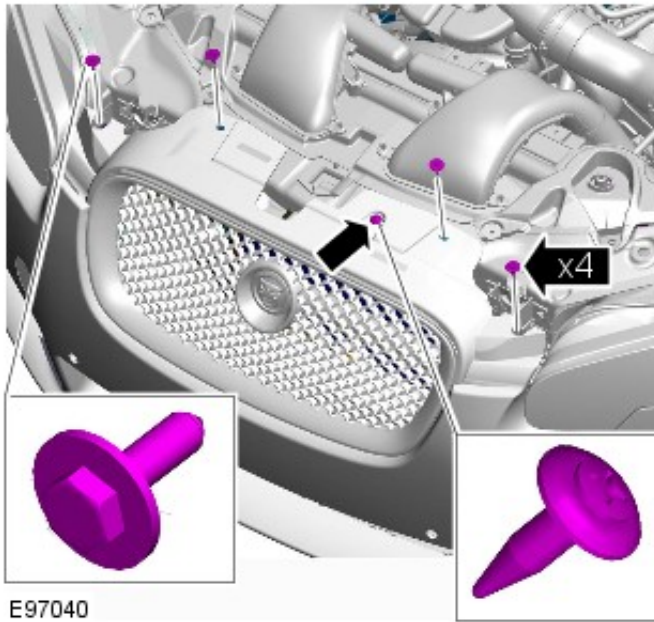
2. Torque: 3 Nm



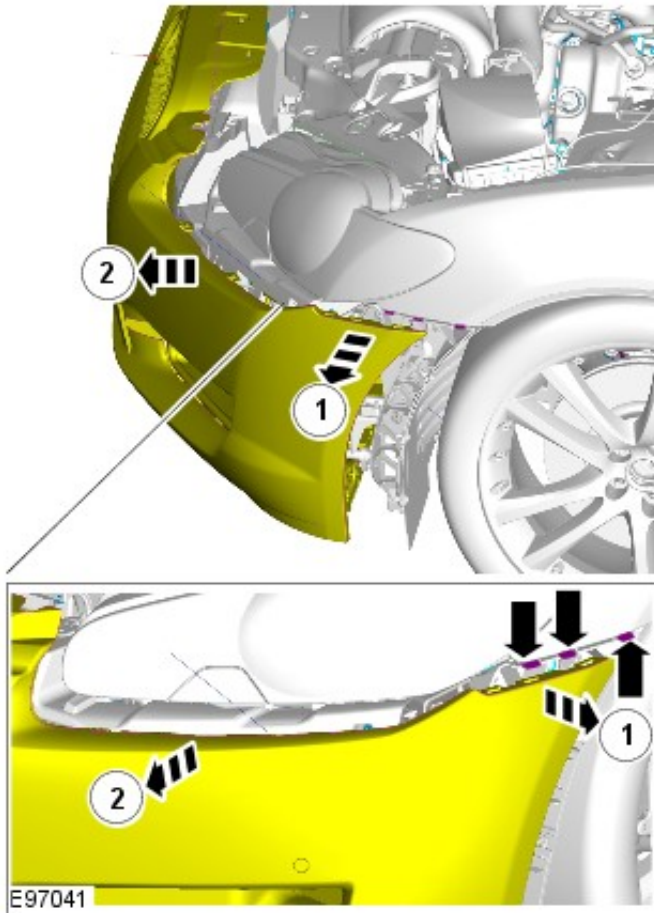
3. Torque:
Retaining screws 2 Nm
Retaining bolts 7 Nm



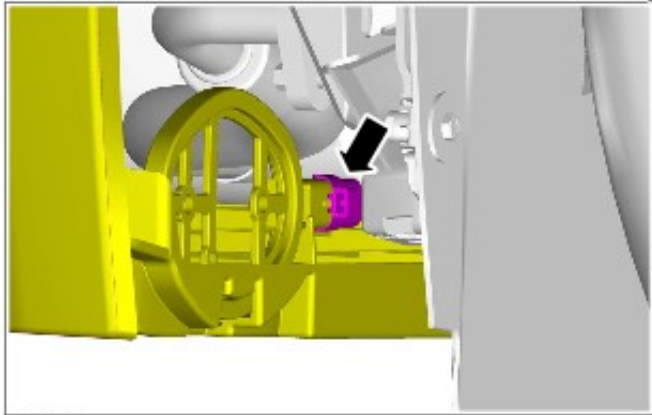
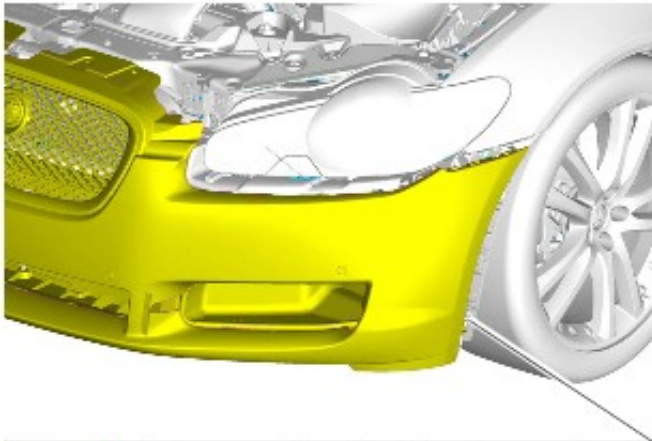
4. Torque: 2 Nm



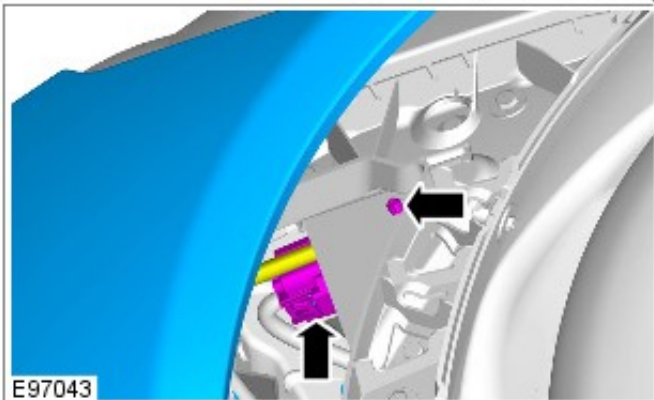
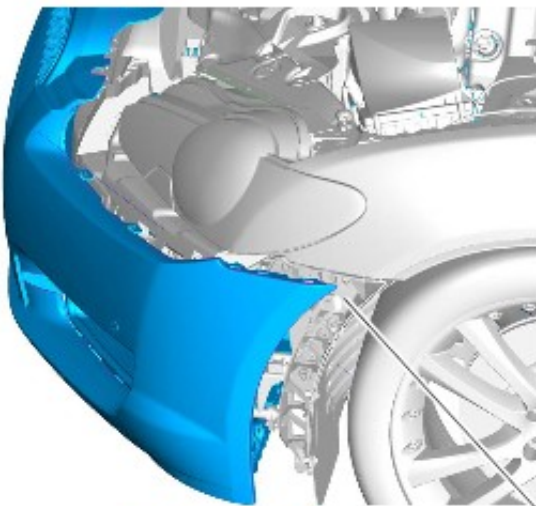
- 5.  NOTE: This step requires the aid of another technician.



- 6.  NOTE: On both sides.



E97042



E97043

7.  NOTE: This step requires the aid of another technician.

Installation

1. To install, reverse the removal procedure